



US00D962905S

(12) **United States Design Patent** (10) **Patent No.:** **US D962,905 S**  
**Natsume et al.** (45) **Date of Patent:** **\*\* Sep. 6, 2022**

(54) **DEVICE CONTROLLER**  
(71) Applicant: **Magic Leap, Inc.**, Plantation, FL (US)  
(72) Inventors: **Shigeru Natsume**, Weston, FL (US);  
**Sebastian Gonzalo Arrieta Gunther**,  
Fort Lauderdale, FL (US); **Haney**  
**Awad**, Fort Lauderdale, FL (US);  
**Matthew David Swinton**, San  
Francisco, CA (US); **Hayes Urban**,  
Saratoga, CA (US)

D797,743 S \* 9/2017 Awad ..... D21/333  
D813,203 S \* 3/2018 Hardi ..... D14/218  
D819,638 S \* 6/2018 Lo ..... D21/333  
D827,613 S \* 9/2018 Seo ..... D14/218

(Continued)

**FOREIGN PATENT DOCUMENTS**

CN 305939001 \* 1/2020  
KR 3011116170007 \* 6/2021  
RU 00128389 \* 11/2021

**OTHER PUBLICATIONS**

Samsung, Samsung ET-YO324BBEGUS . . . , available at amazon.com, date first available Apr. 21, 2017, site visited Feb. 22, 2022, Available at URL: [https://www.amazon.com/Samsung-ET-YO324BBEGUS-Gear-VR-Controller/dp/B06XHXRXP1/ref=sr\\_1\\_13?keywords=VR+Controllers&qid=1645554546&sr=8-13](https://www.amazon.com/Samsung-ET-YO324BBEGUS-Gear-VR-Controller/dp/B06XHXRXP1/ref=sr_1_13?keywords=VR+Controllers&qid=1645554546&sr=8-13) (Year: 2017).\*

(Continued)

*Primary Examiner* — Daniel J Domino

*Assistant Examiner* — Samina Vieth

(74) *Attorney, Agent, or Firm* — Fish & Richardson P.C.

(73) Assignee: **Magic Leap, Inc.**, Plantation, FL (US)

(\*\*) Term: **15 Years**

(21) Appl. No.: **29/717,272**

(22) Filed: **Dec. 16, 2019**

(51) **LOC (13) Cl.** ..... **14-03**

(52) **U.S. Cl.**  
USPC ..... **D14/230**

(58) **Field of Classification Search**  
USPC ..... D14/218, 230; D21/331, 332, 333, 329;  
D13/168  
CPC ..... H03J 2200/24; H03J 1/0025; H04N  
21/4221; H04N 21/42204; G08C 2201/33;  
H01H 9/0214; H01H 9/0207; H01H 9/06;  
H01H 2009/065; H01H 2009/066  
See application file for complete search history.

(57) **CLAIM**

The ornamental design for device controller, as shown and described.

**DESCRIPTION**

FIG. 1 is a top perspective view of a first embodiment of the device controller.

FIG. 2 is a front view thereof.

FIG. 3 is a back perspective view thereof.

FIG. 4 is a left side view thereof.

FIG. 5 is a right side view thereof.

FIG. 6 is a top view thereof.

FIG. 7 is a bottom view thereof; and,

FIG. 8 is a bottom perspective view thereof.

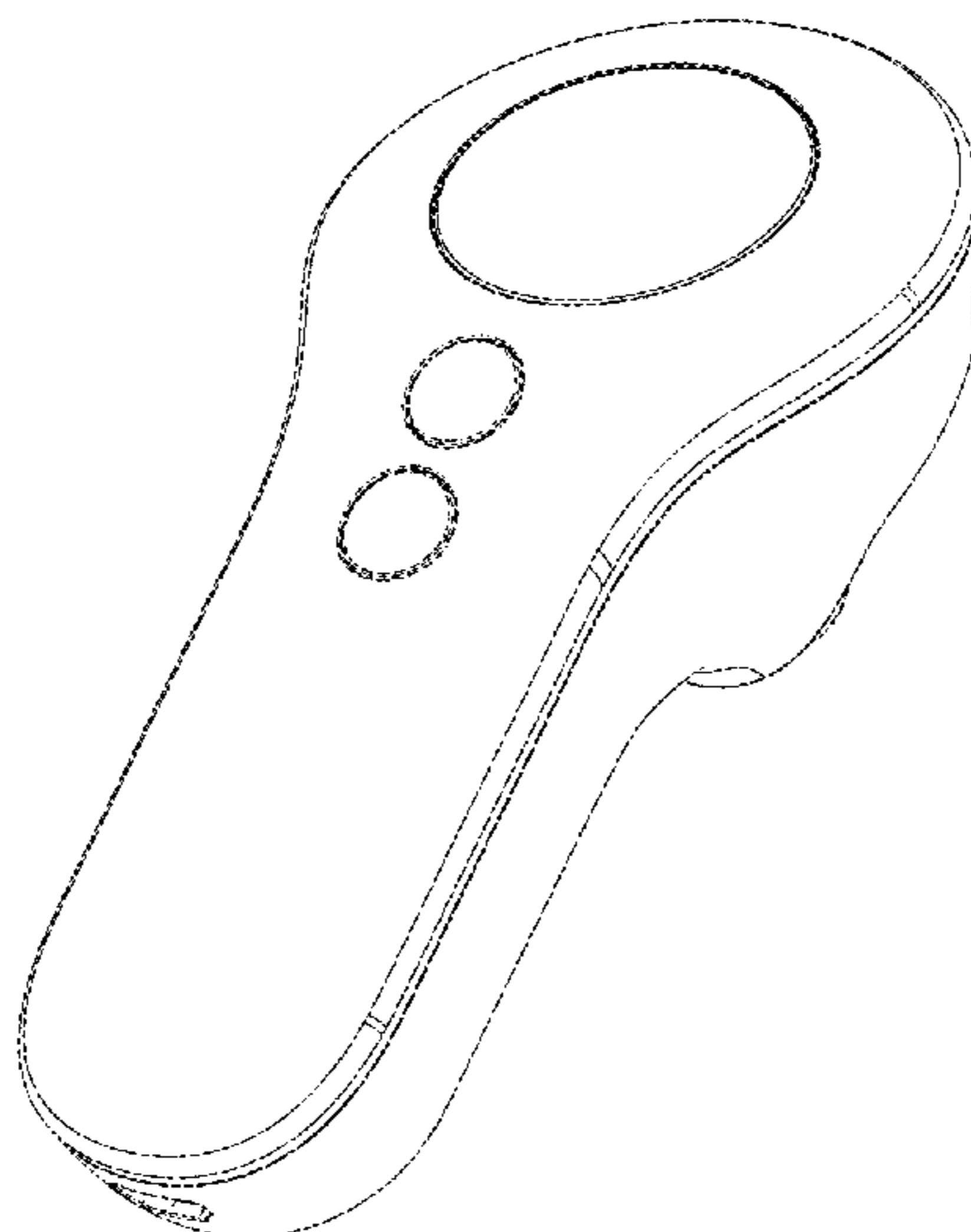
The broken lines illustrate environmental features that form no part of the claimed design.

(56) **References Cited**

**U.S. PATENT DOCUMENTS**

D380,207 S \* 6/1997 Wang ..... D14/218  
D408,532 S \* 4/1999 Schmidt ..... D14/428  
D486,144 S \* 2/2004 Esslinger ..... D14/218  
D502,929 S \* 3/2005 Copeland ..... D13/168  
D541,226 S \* 4/2007 Wakisaka ..... D13/168  
D620,925 S \* 8/2010 Geek ..... D14/218  
D688,232 S \* 8/2013 Zhang ..... D14/218  
D697,057 S \* 1/2014 Kwon ..... D14/218  
D716,767 S \* 11/2014 Lee ..... D14/218  
D723,008 S \* 2/2015 Kim ..... D14/218

**1 Claim, 5 Drawing Sheets**



(56)

**References Cited**

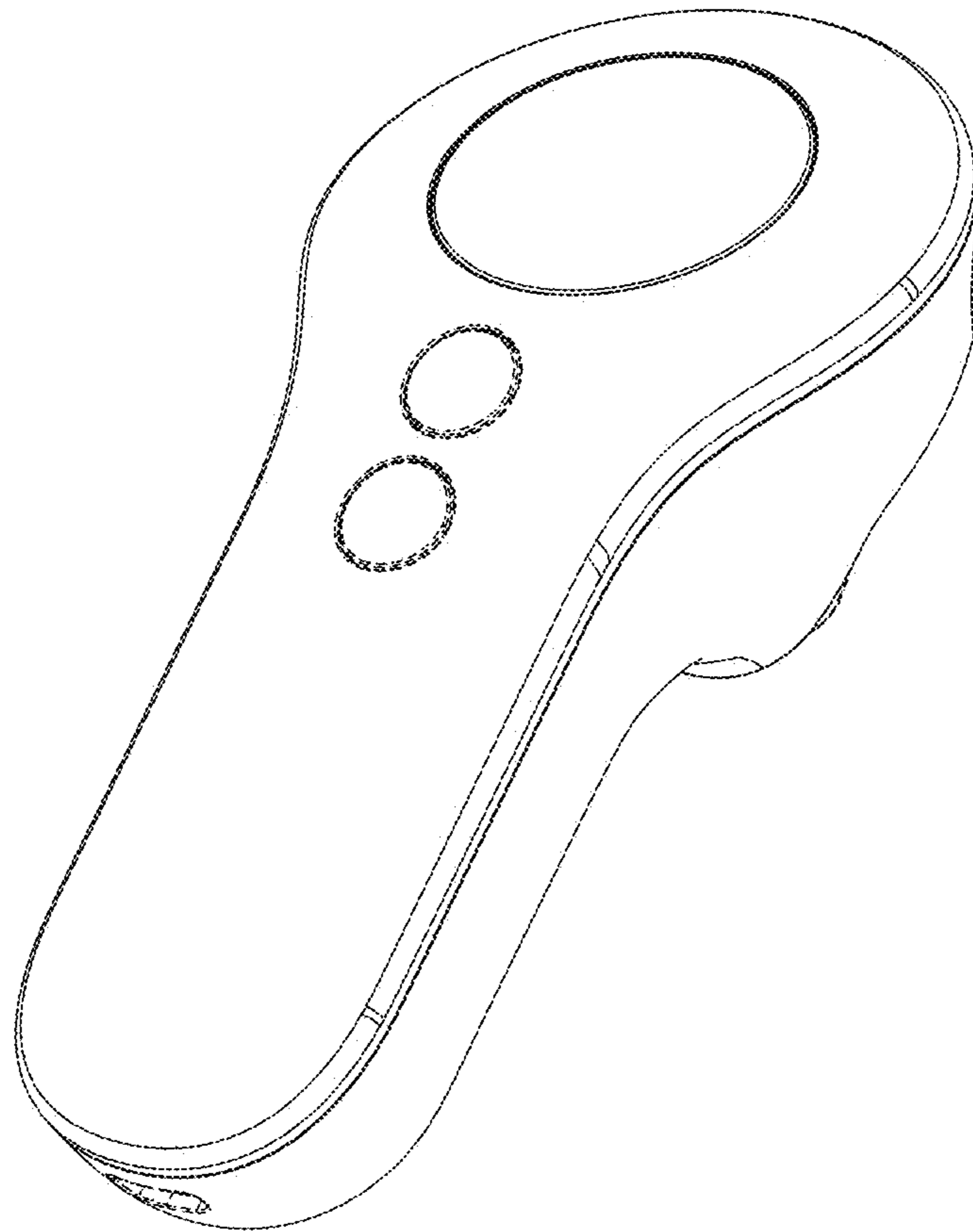
U.S. PATENT DOCUMENTS

D844,608	S *	4/2019	Chen	.....	D21/333
D856,979	S *	8/2019	Seo	.....	D14/218
D863,446	S *	10/2019	Bristol	.....	D21/333
10,444,849	B2 *	10/2019	Li	.....	G06F 3/04883
D866,554	S *	11/2019	Lo	.....	D21/333
D873,569	S *	1/2020	Nichols	.....	D4/102
D899,424	S *	10/2020	Chen	.....	D21/333
D900,758	S *	11/2020	Cen	.....	D15/28
D901,502	S *	11/2020	Kim	.....	D21/333
D902,927	S *	11/2020	Hu	.....	D21/333
D918,176	S *	5/2021	Natsume	.....	D14/218
D924,204	S *	7/2021	Natsume	.....	D14/218
D930,614	S *	9/2021	Natsume	.....	D14/218
D931,237	S *	9/2021	Elliott	.....	D13/168
D940,688	S *	1/2022	Liao	.....	D14/218
2011/0050405	A1 *	3/2011	Hollis, Jr.	.....	G06F 3/016 340/407.2
2014/0091181	A1 *	4/2014	Ouellette	.....	G05G 13/00 244/221
2017/0123516	A1 *	5/2017	Li	.....	G08C 23/04
2018/0104576	A1 *	4/2018	Hope	.....	A63F 13/218

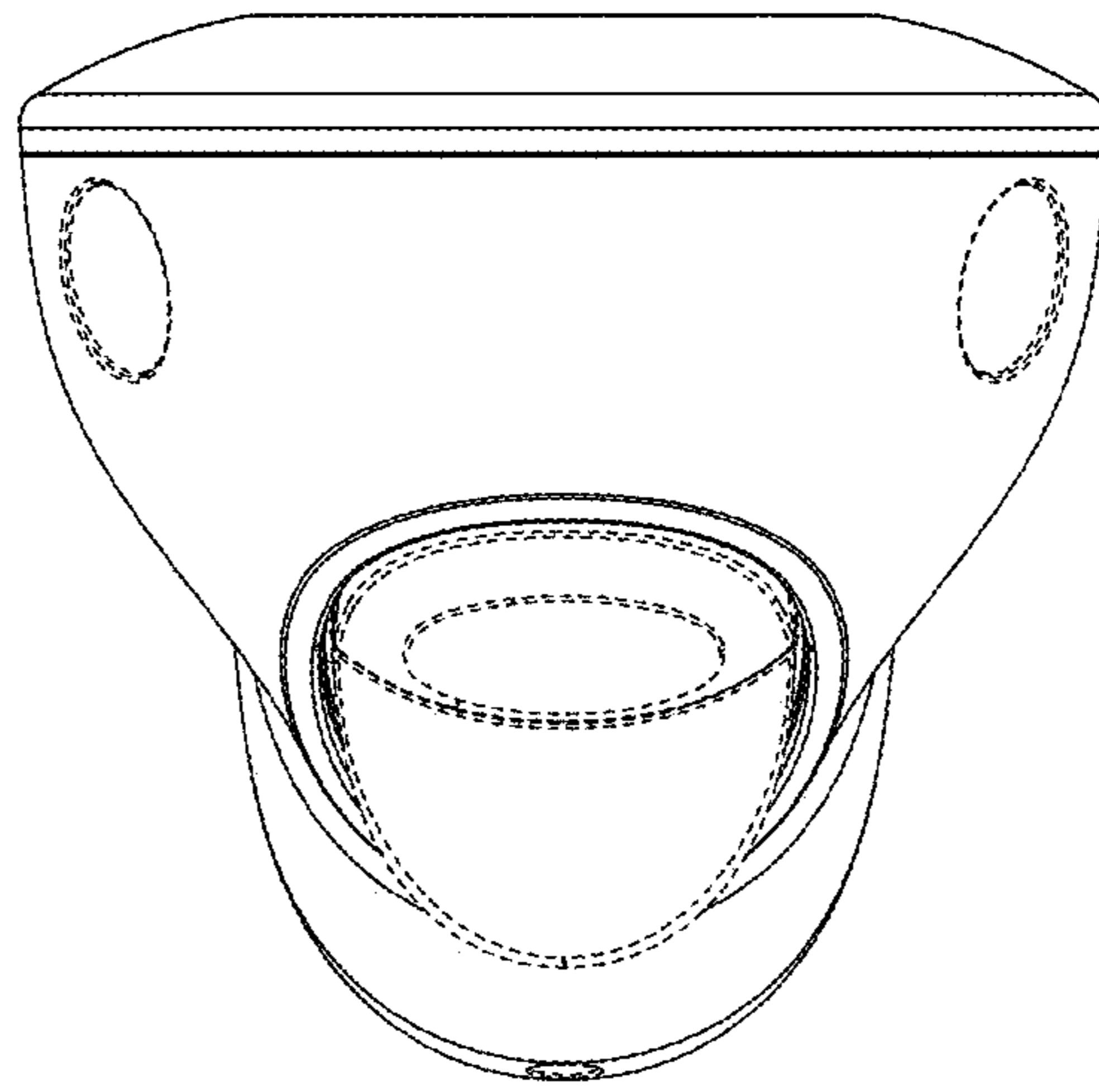
OTHER PUBLICATIONS

VR Empire, VR Remote Controller Gamepad . . . , available at walmart.com, oldest review Jan. 27, 2020, site visited Feb. 22, 2022, Available at URL: <https://www.walmart.com/ip/VR-Remote-Controller-Gamepad-Bluetooth-Control-Video-Film-Game-Selfie-Flip-E-book-PPT-Nook-page-Mouse-Virtual-Reality-Headset-3D-Glasses> (Year: 2020).\*

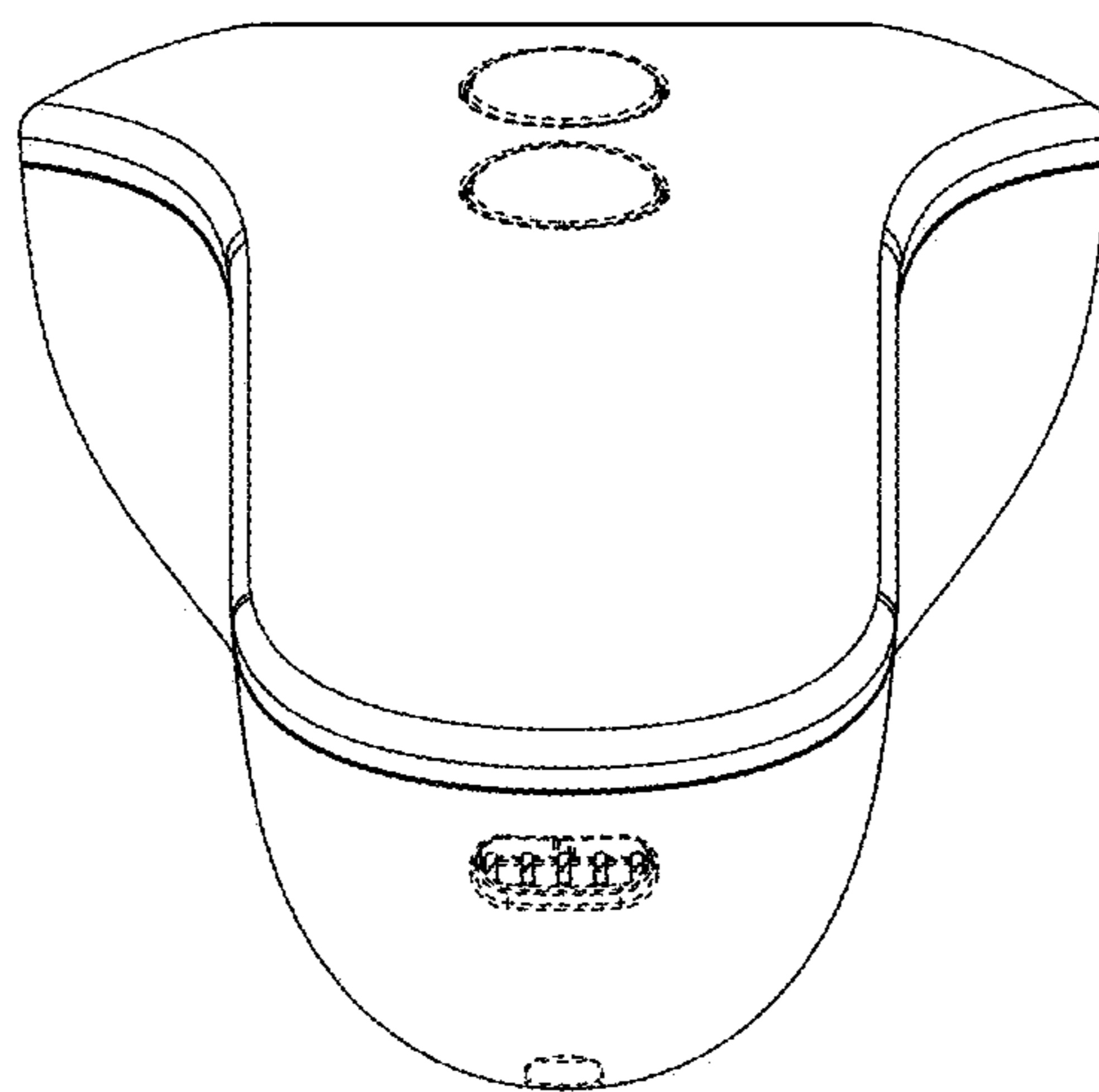
\* cited by examiner



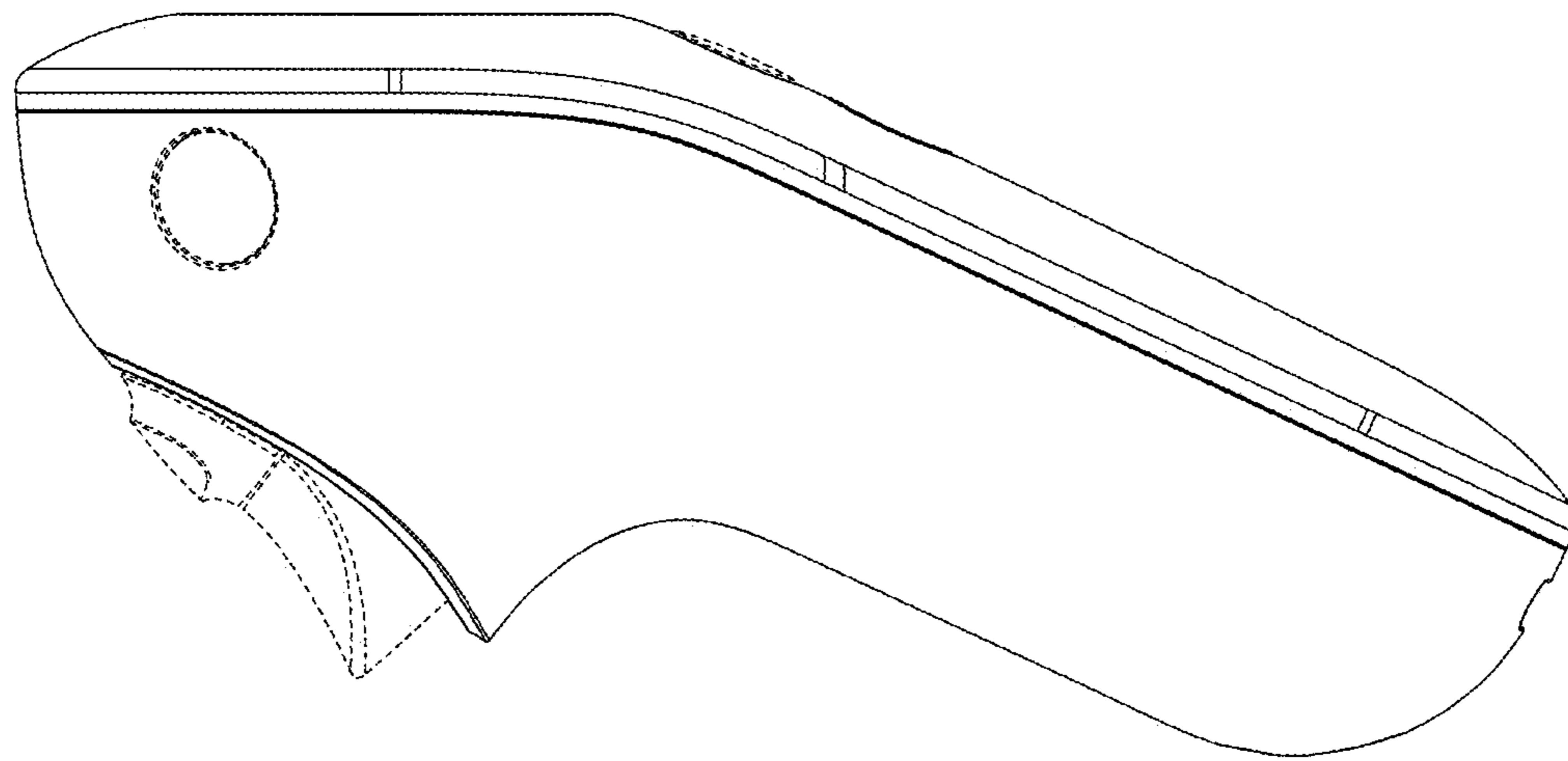
**FIG. 1**



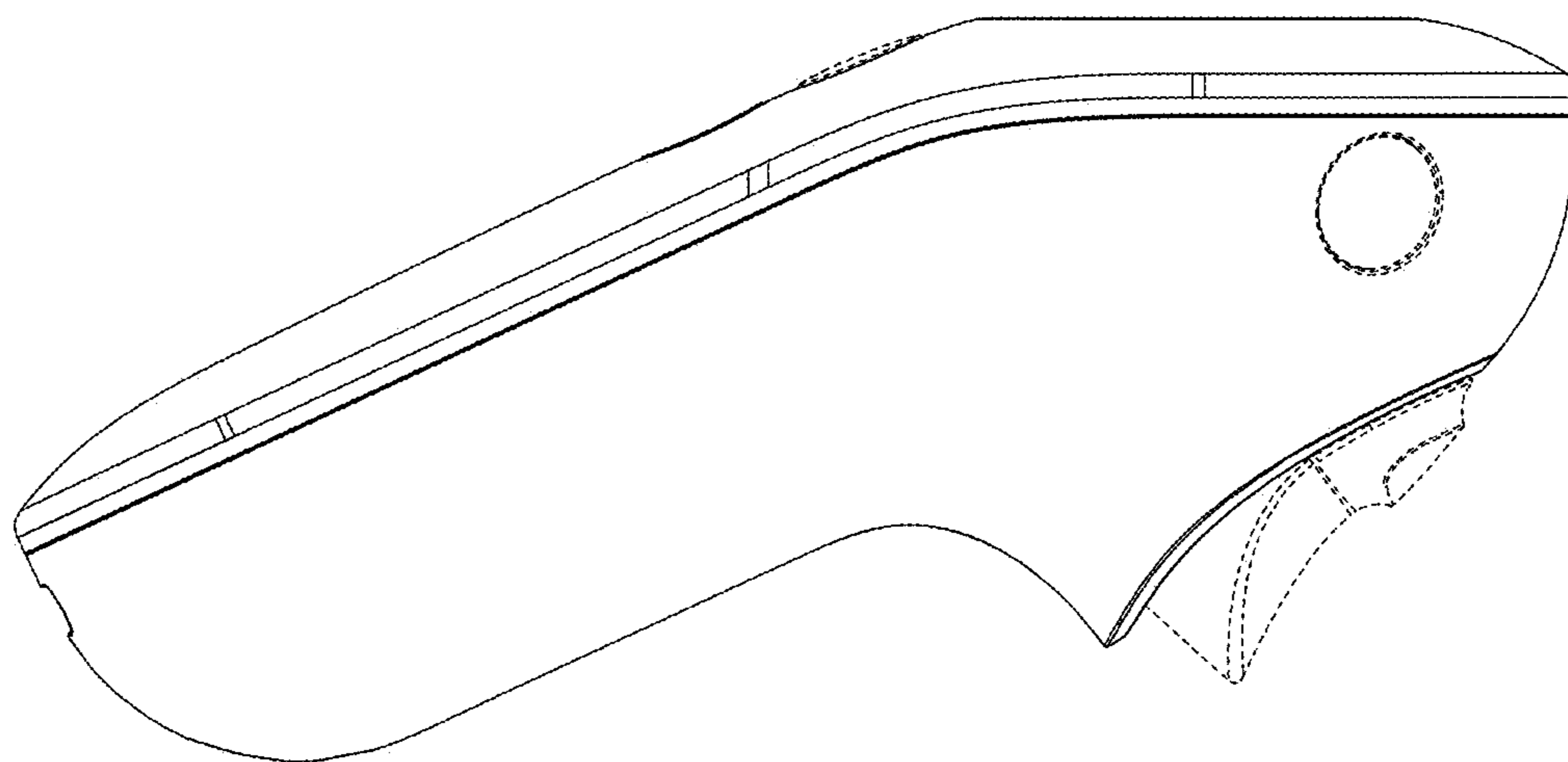
**FIG. 2**



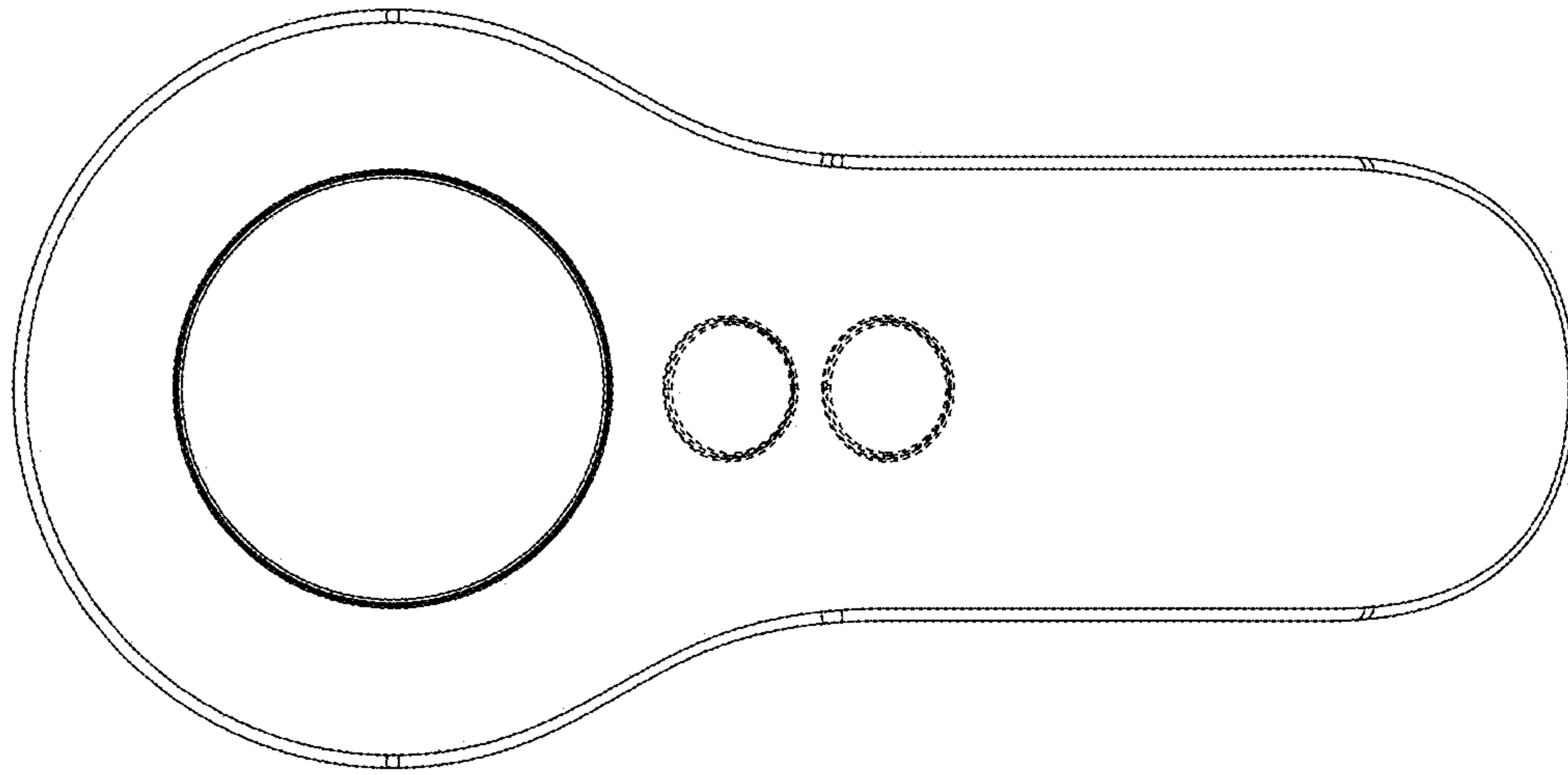
**FIG. 3**



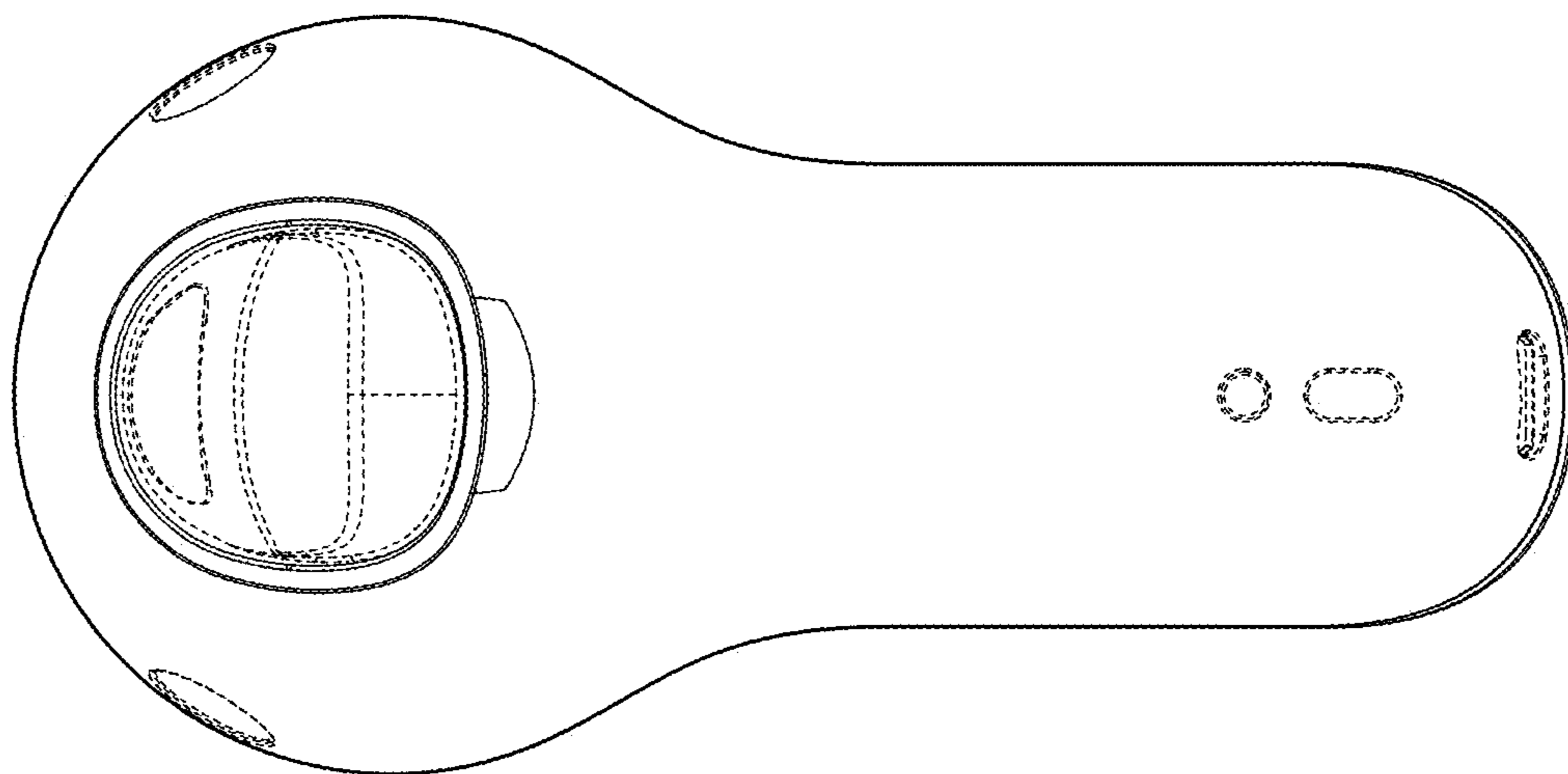
**FIG. 4**



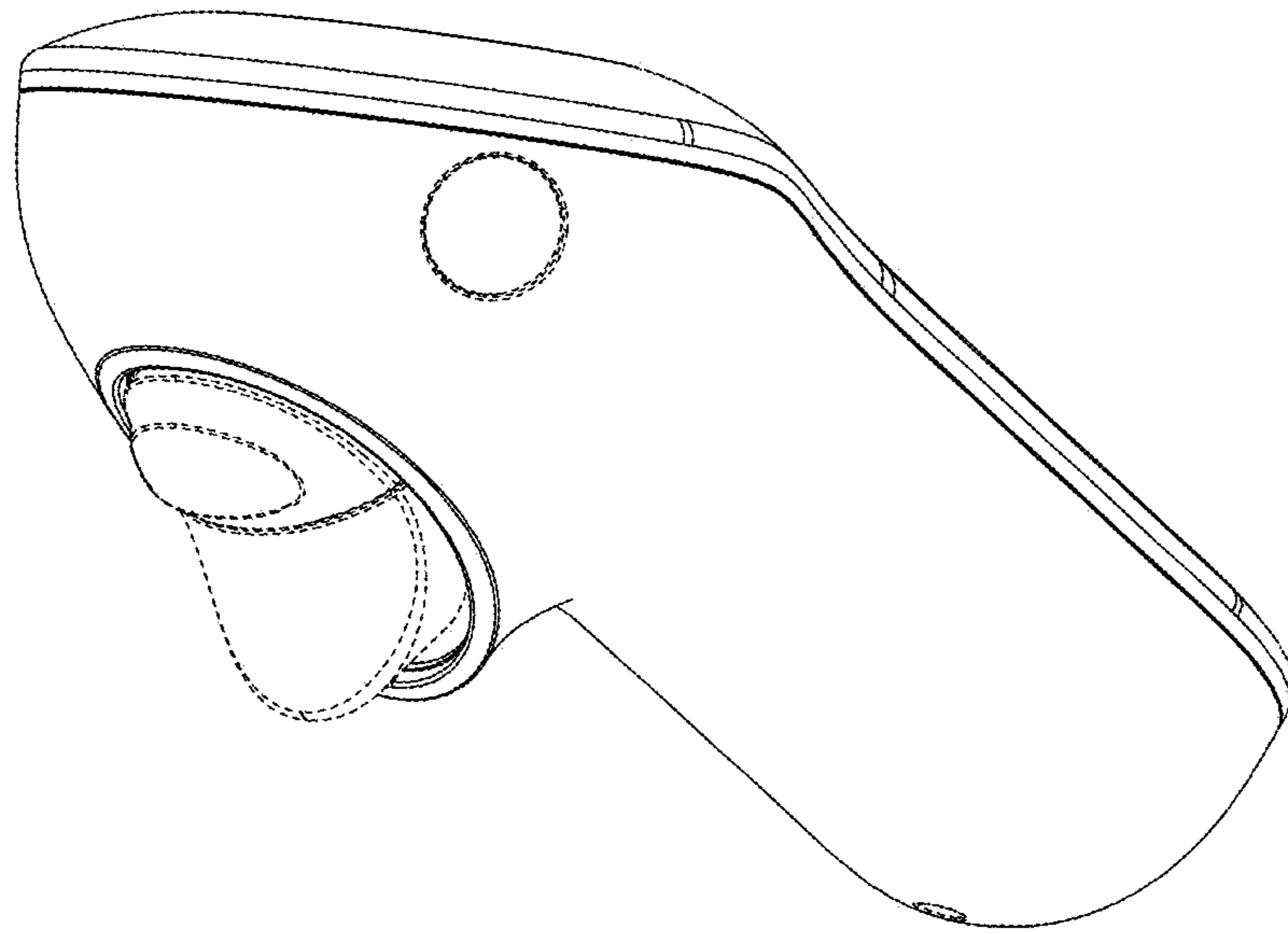
**FIG. 5**



**FIG. 6**



**FIG. 7**



**FIG. 8**