

US00D962904S

(12) **United States Design Patent** (10) **Patent No.:** **US D962,904 S**
Yu (45) **Date of Patent:** **** Sep. 6, 2022**

(54) **FLAT ANTENNA**
(71) Applicant: **Xin Xiang Yu**, Guangdong (CN)
(72) Inventor: **Xin Xiang Yu**, Guangdong (CN)
(73) Assignee: **SHENZHEN CHUANG JIN HENG ELECTRONIC TECHNOLOGY CO., LTD**, Shenzhen (CN)

D738,867 S * 9/2015 Zuniga D14/230
D754,107 S * 4/2016 Nabavi D14/230
D844,589 S * 4/2019 Yang D14/230
D889,444 S * 7/2020 Sakamoto D14/230
D895,075 S * 9/2020 Kang D23/269
D896,794 S * 9/2020 Yang D14/230

(Continued)

(**) Term: **15 Years**

CN 303348056 * 8/2015
CN 307150835 * 3/2020

(Continued)

(21) Appl. No.: **29/706,069**

FOREIGN PATENT DOCUMENTS

(22) Filed: **Sep. 18, 2019**

OTHER PUBLICATIONS

(51) **LOC (13) Cl.** **14-03**

Kaboll Store. "Digital HD TV Antenna Indoor . . ." available at amazon.com, date first available Aug. 22, 2020, site visited Jun. 14, 2022, available at URL: <https://www.amazon.com/Kaboll-Definition-Television-Reception-Amplifier/dp/B08GHB2RWG> (Year: 2020).*

(52) **U.S. Cl.**

USPC **D14/230**; D14/231

(Continued)

(58) **Field of Classification Search**

USPC D14/230, 218, 231, 213, 233; D13/168;
D10/104, 70, 107.1, 106.5; D12/317;
D23/269

CPC H01Q 7/00; H01Q 13/10; H01Q 9/285;
H01Q 19/30; H01Q 19/12; H01Q 1/38;
H01Q 1/36; H04B 1/0475; H04B 1/034;
H05K 11/00

Primary Examiner — Daniel J Domino

Assistant Examiner — Samina Vieth

(74) *Attorney, Agent, or Firm* — Georgi Korobanov

See application file for complete search history.

(57)

CLAIM

The ornamental design for a flat antenna, as shown and described.

(56) **References Cited**

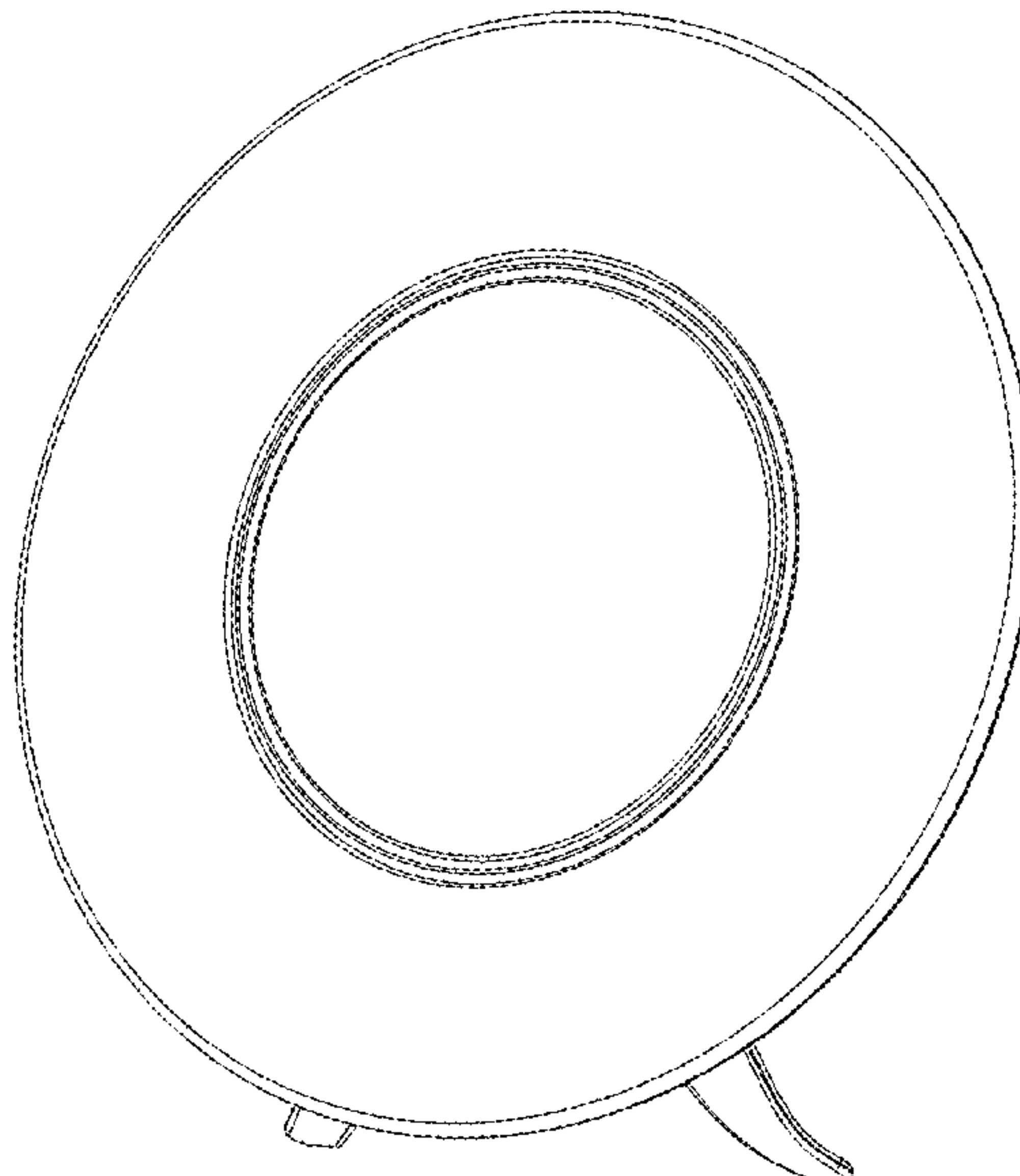
U.S. PATENT DOCUMENTS

D170,203 S * 8/1953 Leonard D14/230
D302,818 S * 8/1989 Camens D14/219
D323,327 S * 1/1992 Davidson D14/219
D345,362 S * 3/1994 Kadono D14/230
D363,935 S * 11/1995 McGreevy D14/230
D378,368 S * 3/1997 McGreevy D14/230
D421,439 S * 3/2000 Giuntoli D14/230
D453,329 S * 2/2002 Muramatsu D14/230
D570,337 S * 6/2008 Oliver D14/230
D585,883 S * 2/2009 Kaneko D14/230
D713,392 S * 9/2014 Podduturi D14/230
D736,721 S * 8/2015 Gassner D13/168

DESCRIPTION

FIG. 1 is a perspective view of a flat antenna showing my new design;
FIG. 2 is another perspective view thereof;
FIG. 3 is a front elevational view thereof;
FIG. 4 is a rear elevational view thereof;
FIG. 5 is a left side view thereof;
FIG. 6 is a right side view thereof; and,
FIG. 7 is a top plan view thereof.

1 Claim, 7 Drawing Sheets



(56)

References Cited

U.S. PATENT DOCUMENTS

D918,879 S * 5/2021 Feit D14/230
D926,735 S * 8/2021 Zhou D14/230

FOREIGN PATENT DOCUMENTS

CN 305791276 * 5/2020
CN 305965554 * 8/2020
CN 307302000 * 4/2022
CN 307384394 * 6/2022
JP D1676650 * 1/2021

OTHER PUBLICATIONS

Signalbooster.com, “Low PIM Dome Antenna . . .”, available at signalbooster.com, first review date May 16, 2017, site visited Jun. 14, 2022, available at URL: <https://www.signalbooster.com/products/low-pim-dome-antenna-ultra-thin-flat-50-ohm> (Year: 2017).*

Cuwada, “TV Antenna, Indoor Digital HDTV Television . . .” available at amazon.com, date first available Sep. 16, 2019, site visited Jun. 14, 2022, available at URL: https://www.amazon.com/dp/B07XXVNVNDB/ref=cm_sw_em_r_mt_dp_5ZD782XY1Q1XQ2NHRZX6?_encoding=UTF8&psc=1 (Year: 2019).*

Core Innovations, “Amplified HDTV . . . Antenna . . .”, available at bestbuy.com, oldest review date Oct. 2021, site visited Jun. 14, 2022, available at URL: <https://www.bestbuy.com/site/core-innovations-amplified-hdtv-outdoor-attic-antenna-100mile-range-motorized-black/6463717.p?skuId=6463717&ref> (Year: 2021).*

WilsonPro, “Low Profile Dome Antenna . . .” available at youtube.com, date published Dec. 25, 2017, site visited Jun. 14, 2022, available at URL: <https://www.youtube.com/watch?v=kct7JisaS1A> (Year: 2017).*

Five Star, “Indoor Outdoor Omni . . . Antenna”, available at walmart.com, oldest review date Jul. 9, 2020, site visited Jun. 14, 2022, available at URL: <https://www.walmart.com/reviews/product/111923258?sort=submission-asc> (Year: 2020).*

* cited by examiner

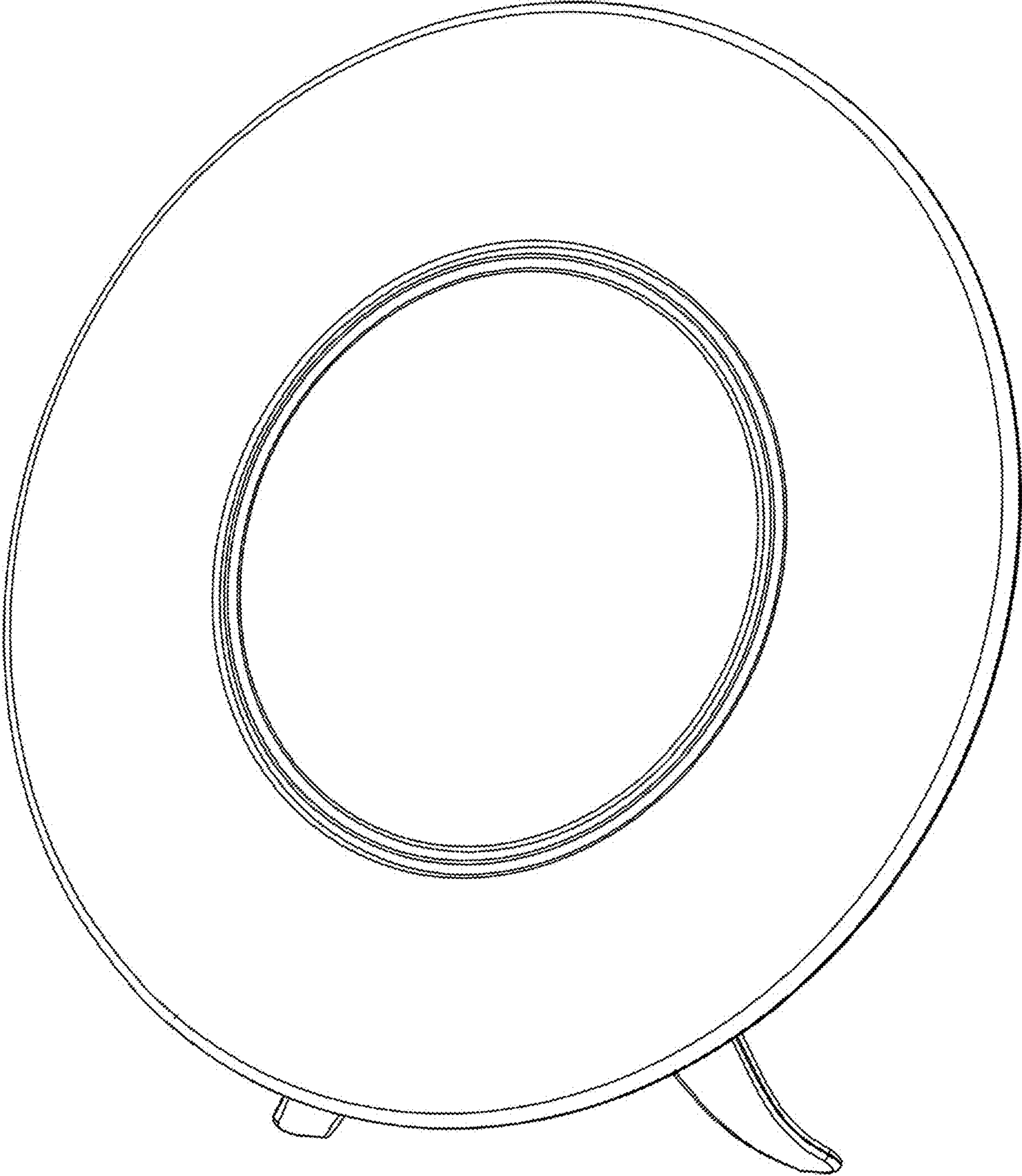


FIG.1

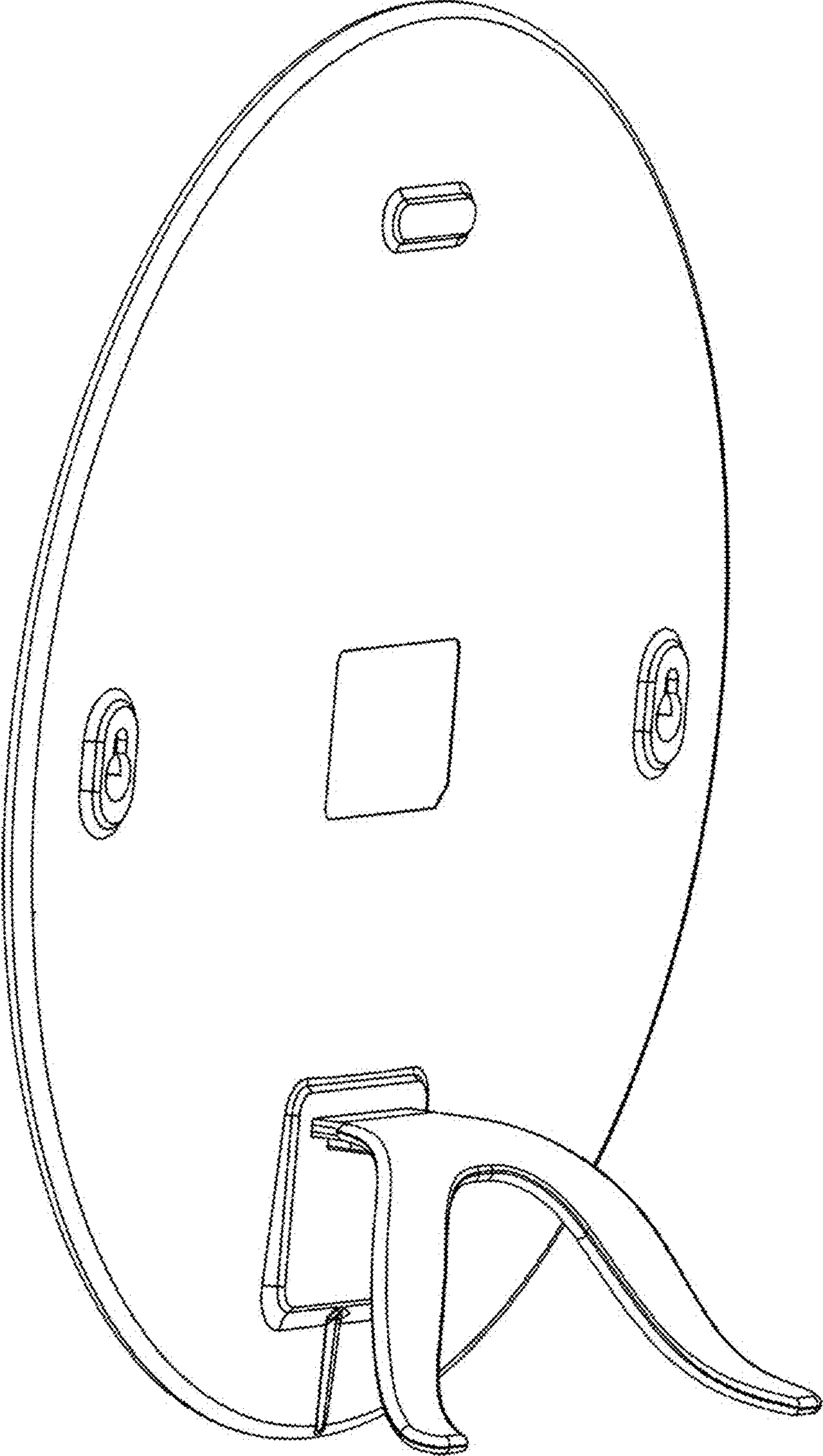


FIG.2

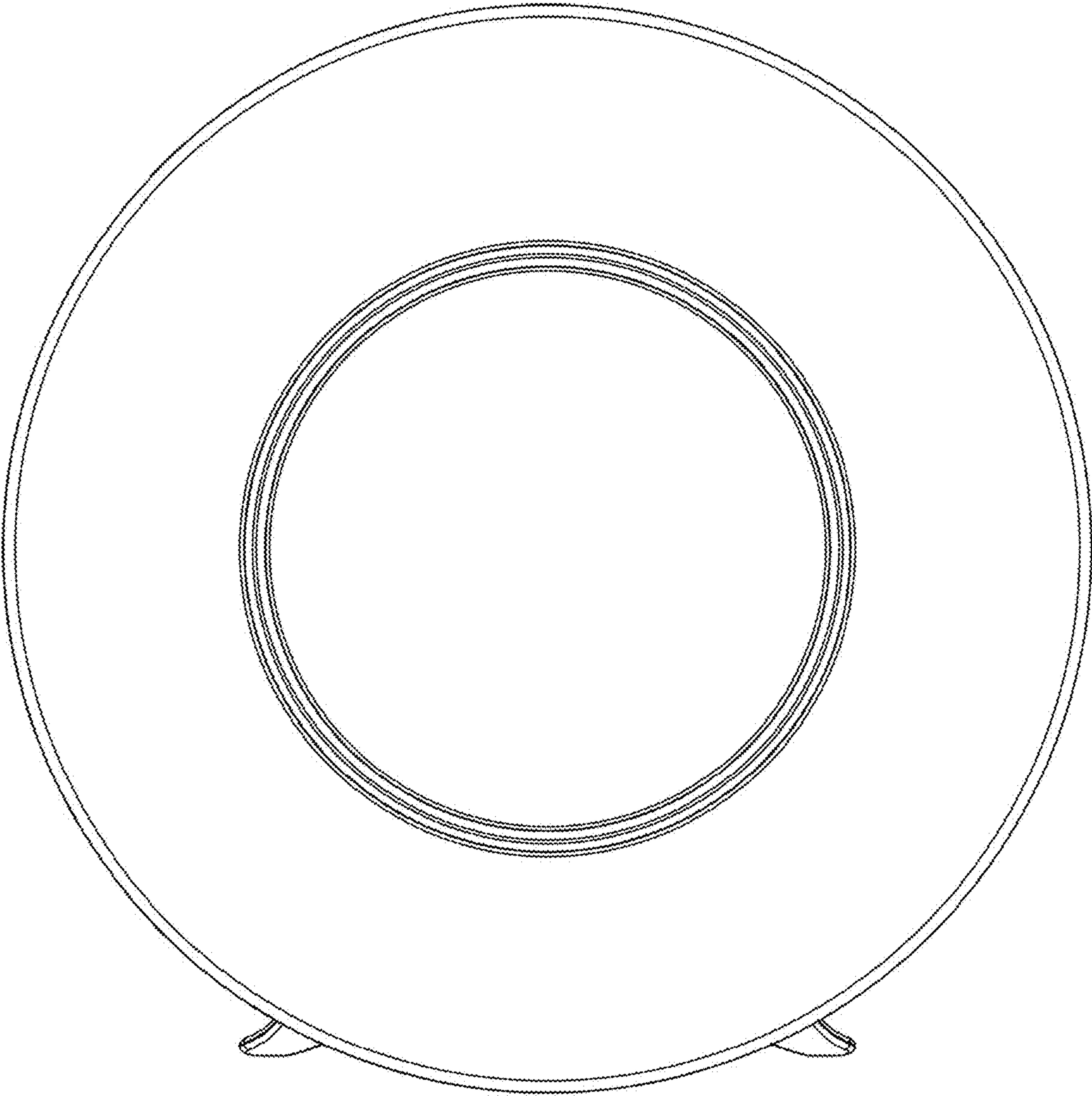


FIG.3

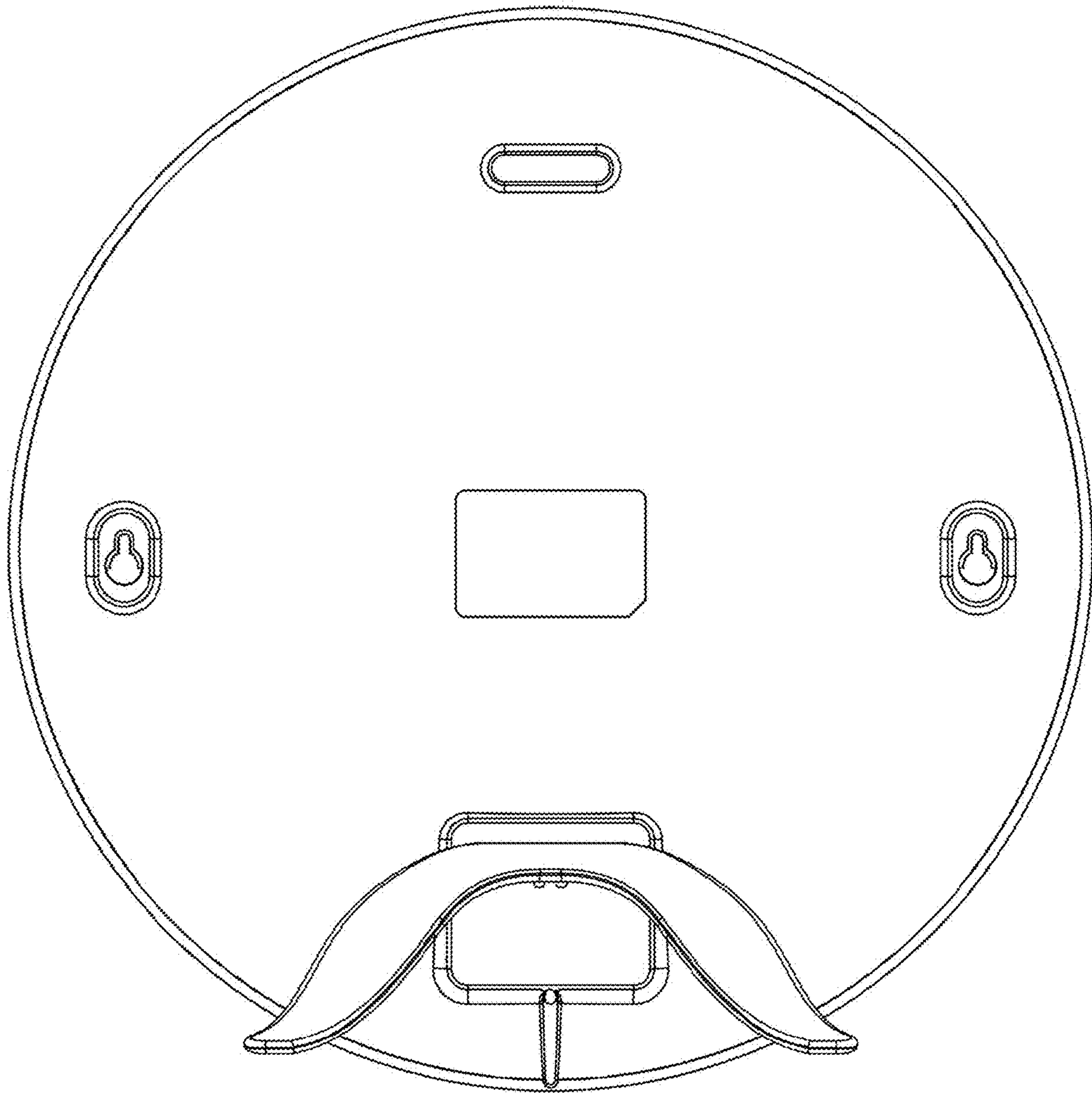


FIG.4

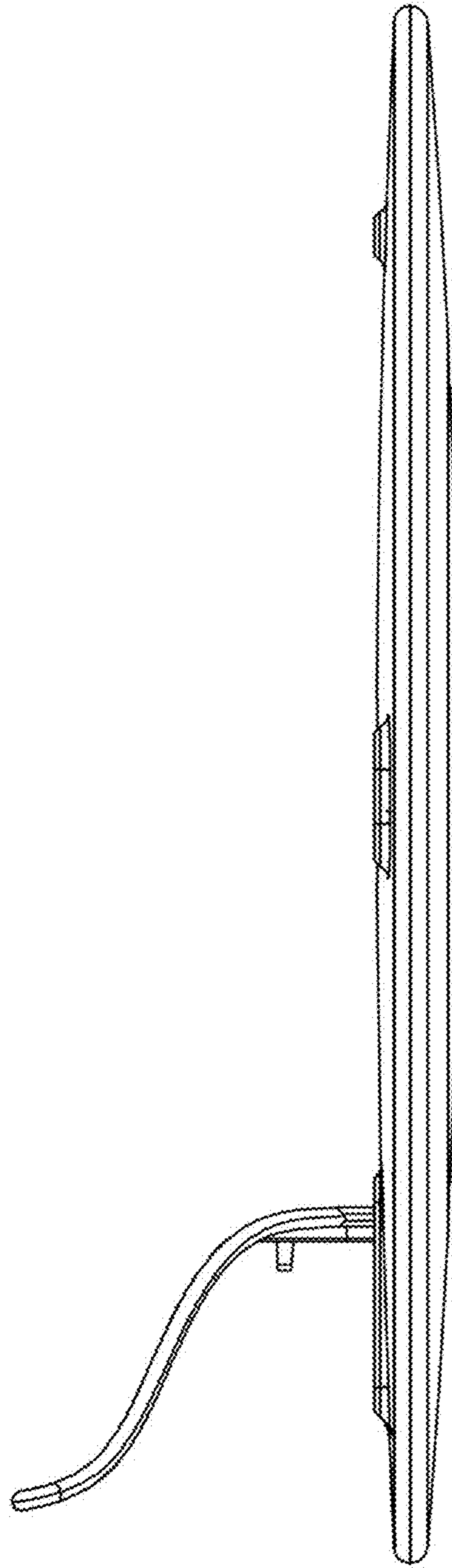


FIG. 5

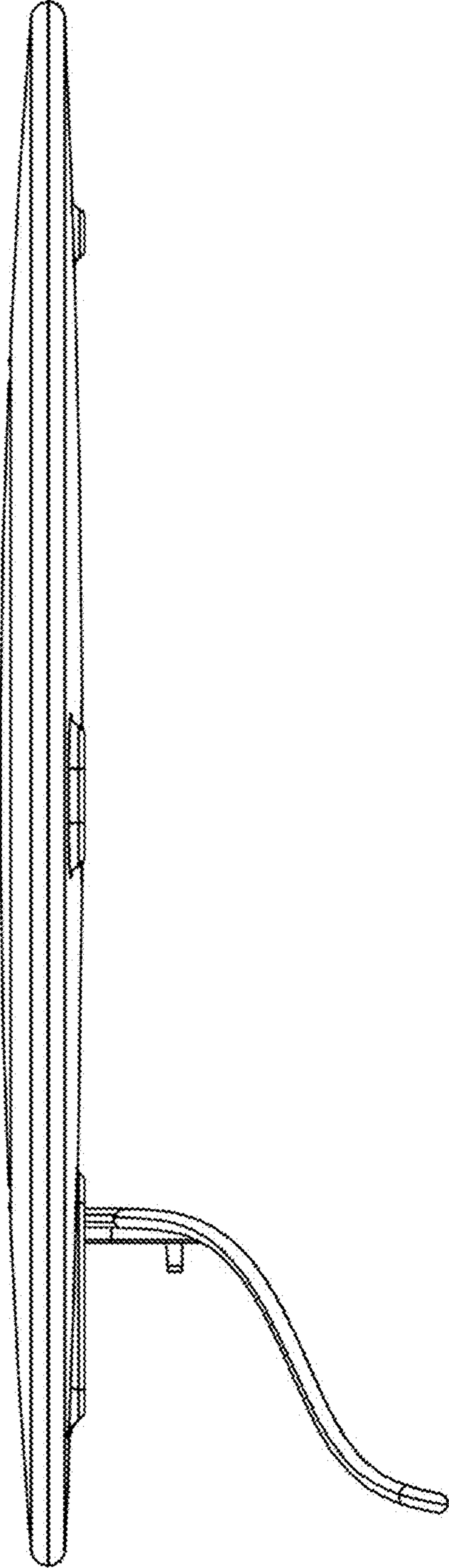


FIG.6

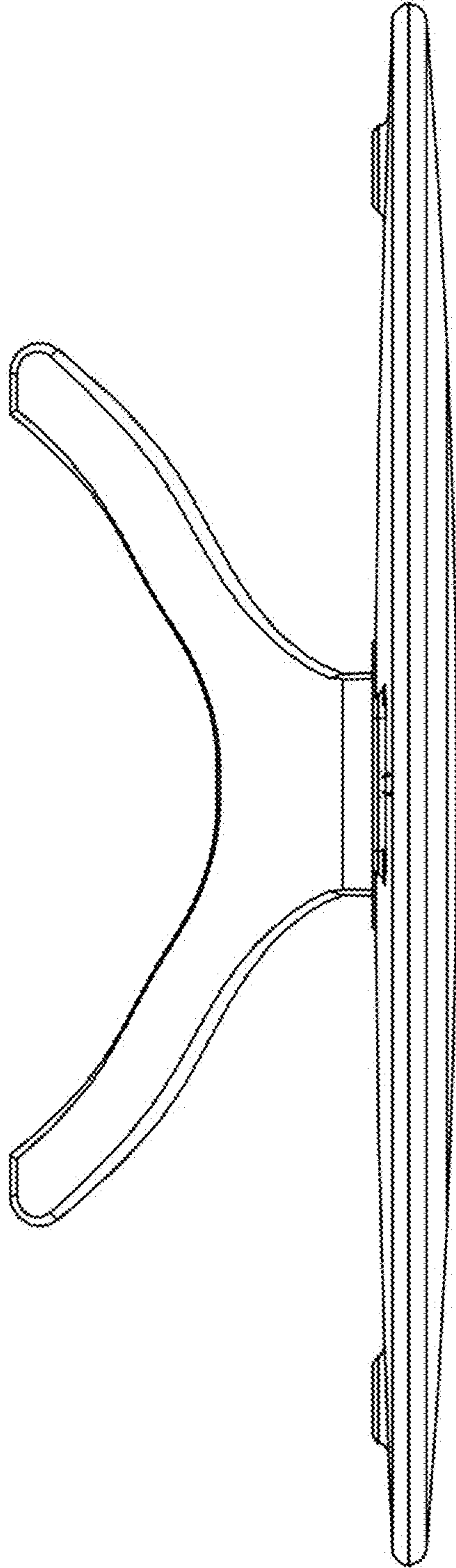


FIG.7