

US00D962903S

(12) **United States Design Patent**  
**You et al.**

(10) **Patent No.:** **US D962,903 S**  
(45) **Date of Patent:** **\*\* Sep. 6, 2022**

(54) **MICROPHONE STAND**  
(71) Applicant: **NINGBO TUOTUO RIVER DESIGN COMPANY**, Zhejiang (CN)  
(72) Inventors: **Xiaodong You**, Ningbo (CN); **Gaobo Lin**, Ningbo (CN)  
(73) Assignee: **NINGBO TUOTUO RIVER DESIGN COMPANY**, Zhejiang (CN)

4,160,536 A \* 7/1979 Krogsrud ..... F16M 13/02  
248/280.11  
4,402,481 A \* 9/1983 Sasaki ..... F16M 11/14  
403/55  
4,494,177 A \* 1/1985 Matthews ..... F21V 21/26  
362/402  
4,545,555 A \* 10/1985 Koch ..... F16M 11/10  
248/280.11

(Continued)

(\*\*) Term: **15 Years**  
(21) Appl. No.: **29/788,305**

FOREIGN PATENT DOCUMENTS

AU 314688 6/2007  
AU 318173 2/2008

(Continued)

(22) Filed: **Apr. 29, 2021**  
(51) **LOC (13) Cl.** ..... **14-01**  
(52) **U.S. Cl.**  
USPC ..... **D14/229**  
(58) **Field of Classification Search**  
USPC ..... D14/229, 226, 452; D8/380, 363;  
403/111; D16/243; D6/680.2;  
248/278.1, 276.1, 284.1; 174/68.3  
CPC ..... F16M 13/02; F16M 13/022; E04G 3/00  
See application file for complete search history.

*Primary Examiner* — Paula Allen Greene  
(74) *Attorney, Agent, or Firm* — Knobbe Martens Olson & Bear LLP

(57) **CLAIM**

The ornamental design for a microphone stand, as shown and described.

**DESCRIPTION**

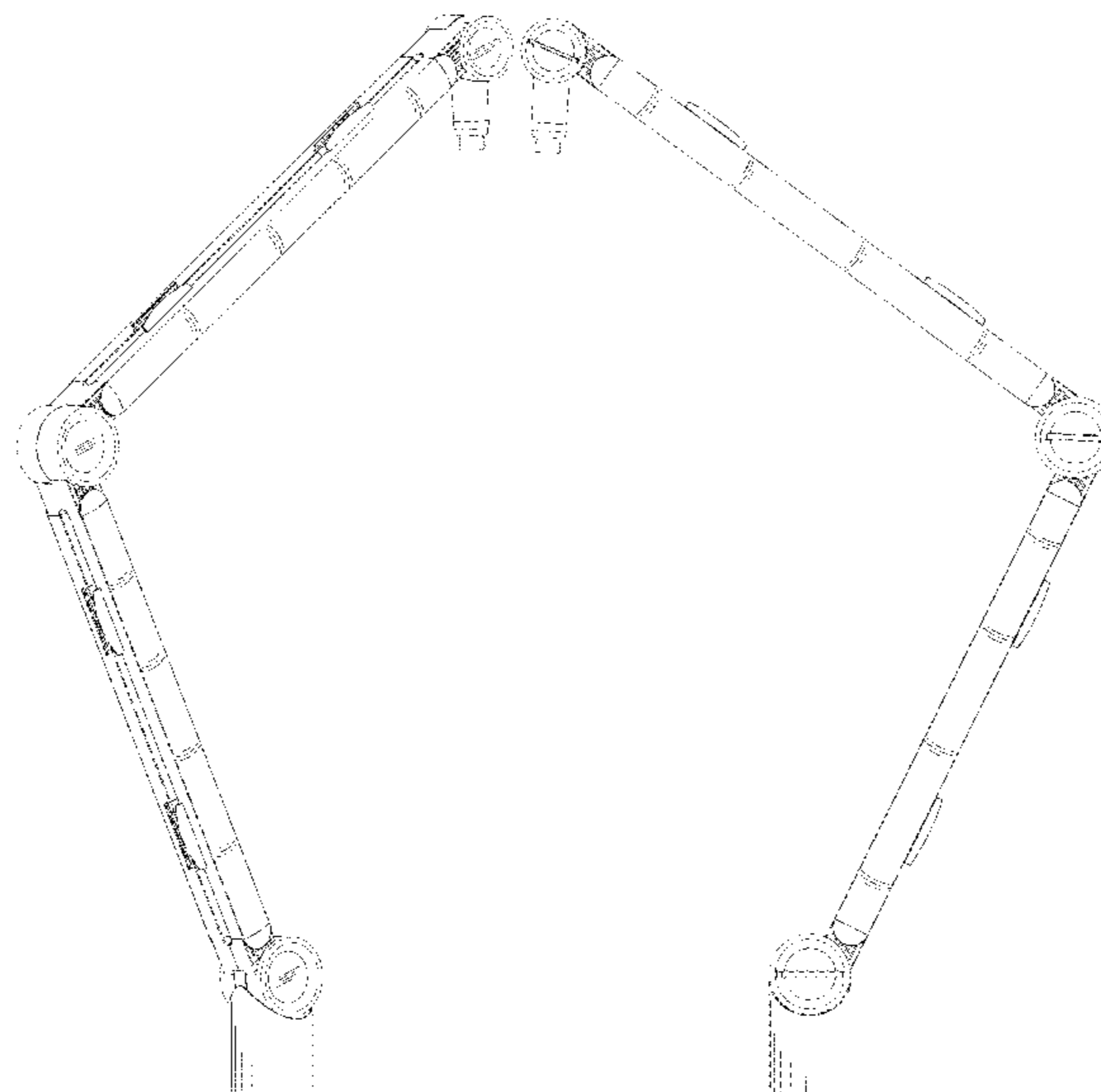
FIG. 1 is a first perspective view of the microphone stand embodying the new design;  
FIG. 2 is a second perspective view thereof, illustrating the microphone stand in another configuration;  
FIG. 3 is a left side view thereof;  
FIG. 4 is a right side view thereof;  
FIG. 5 is a back view thereof;  
FIG. 6 is a front view thereof;  
FIG. 7 is a top view thereof; and  
FIG. 8 is a bottom view thereof; and,  
FIG. 9 is a perspective view of the microphone stand embodying the new design, illustrated with an example attachment mechanisms.  
Broken lines are used to illustrate features of the microphone stand that form no part of the claimed design.

(56) **References Cited**

U.S. PATENT DOCUMENTS

3,193,674 A \* 7/1965 Fleming ..... F21V 21/26  
248/278.1  
3,243,497 A \* 3/1966 Kendall ..... A61N 5/01  
248/278.1  
3,374,347 A \* 3/1968 Hirose ..... F21V 21/26  
403/111  
3,417,953 A \* 12/1968 Hillquist ..... F16M 11/2092  
248/586  
3,543,019 A \* 11/1970 Jacobsen ..... F16M 11/10  
362/413  
3,774,873 A \* 11/1973 Krogsrud ..... F21V 21/26  
248/324  
3,820,752 A \* 6/1974 Oram ..... F16M 11/048  
362/427

**1 Claim, 9 Drawing Sheets**



(56)

References Cited

U.S. PATENT DOCUMENTS

4,770,384 A \* 9/1988 Kuwazima ..... F16M 11/10  
248/281.11  
4,846,434 A \* 7/1989 Krogsrud ..... F16M 13/02  
248/123.11  
4,852,842 A \* 8/1989 O'Neill ..... F16M 11/2092  
29/525.02  
4,953,822 A \* 9/1990 Sharber ..... F16M 11/24  
248/281.11  
4,969,625 A \* 11/1990 Singer ..... B25H 1/0028  
248/123.2  
5,037,053 A \* 8/1991 Fox ..... A47F 5/0876  
248/281.11  
5,154,390 A \* 10/1992 Bain ..... F16M 13/022  
248/447.2  
5,170,975 A \* 12/1992 Chadwick ..... F16M 11/2064  
403/53  
5,538,214 A \* 7/1996 Sinila ..... F21V 21/26  
248/278.1  
5,743,503 A \* 4/1998 Voeller ..... F16M 11/2014  
248/920  
D435,852 S \* 1/2001 Oddsen, Jr. .... D14/452  
6,378,829 B1 \* 4/2002 Strater ..... F16M 13/02  
248/283.1  
6,736,364 B2 \* 5/2004 Oddsen, Jr. .... F16M 11/2014  
248/278.1  
D494,183 S \* 8/2004 Wills ..... D14/452  
D495,240 S 8/2004 Mnich et al.  
6,896,230 B2 \* 5/2005 Cvek ..... F16M 11/10  
248/276.1  
D508,917 S \* 8/2005 Wills ..... D14/452  
D519,990 S 5/2006 Lazor  
D537,323 S \* 2/2007 Saez ..... D14/452  
7,188,812 B2 \* 3/2007 Wang ..... F16M 11/2064  
248/922  
D570,853 S 6/2008 Derry et al.  
D577,731 S \* 9/2008 Altonji ..... D14/452  
7,726,616 B2 \* 6/2010 Zhang ..... F16M 11/2021  
248/920  
D631,052 S \* 1/2011 Hung ..... D14/452  
8,070,114 B2 \* 12/2011 Chen ..... F16M 11/2021  
248/278.1  
D675,905 S 2/2013 Bowman et al.  
8,366,060 B2 \* 2/2013 Hung ..... F16M 13/022  
248/278.1  
D712,945 S \* 9/2014 Brucksch ..... D16/132  
D746,353 S 12/2015 Woodman et al.

9,706,843 B2 \* 7/2017 Hung ..... F16M 11/2064  
9,709,217 B2 \* 7/2017 Trinh ..... F16M 11/105  
D805,085 S \* 12/2017 Xiang ..... D14/452  
D807,373 S \* 1/2018 Thetard ..... D14/452  
D822,671 S \* 7/2018 Chu ..... D14/452  
10,024,484 B2 \* 7/2018 Brown ..... F16M 11/041  
D847,823 S \* 5/2019 Monsalve ..... D14/452  
D848,444 S \* 5/2019 Jung ..... D14/452  
D877,744 S \* 3/2020 Xiang ..... D14/452  
D878,118 S 3/2020 Renwick  
D881,853 S \* 4/2020 Horton ..... D14/229  
D889,442 S \* 7/2020 Bovin ..... D14/228  
10,845,000 B2 \* 11/2020 Lau ..... F16M 13/022  
D916,709 S \* 4/2021 Hung ..... D14/452  
11,118,729 B2 \* 9/2021 Zebarjad ..... F16M 13/022  
D936,070 S \* 11/2021 You ..... D14/452  
D939,516 S \* 12/2021 You ..... D14/452  
D941,300 S \* 1/2022 Huang ..... D14/452  
2003/0075658 A1 \* 4/2003 Beissel, Jr. .... F16M 13/00  
248/284.1  
2004/0031893 A1 \* 2/2004 Smed ..... F16M 11/2092  
248/278.1  
2005/0230585 A1 \* 10/2005 Hung ..... F16M 13/02  
248/278.1  
2006/0273231 A1 \* 12/2006 Huang ..... F16M 11/2092  
248/371  
2011/0108689 A1 \* 5/2011 Dorris ..... F16M 11/041  
248/220.21  
2011/0147546 A1 \* 6/2011 Monsalve ..... F16M 11/2014  
248/122.1  
2012/0132771 A1 \* 5/2012 Wang ..... F16M 11/2014  
248/278.1  
2013/0161466 A1 \* 6/2013 Lau ..... H05K 5/0204  
248/288.11  
2013/0299658 A1 \* 11/2013 Hung ..... F16M 11/2014  
248/276.1  
2014/0367137 A1 \* 12/2014 Leung ..... H02G 1/00  
174/68.3

FOREIGN PATENT DOCUMENTS

AU 201712335 5/2017  
EM RCD 11/2003  
000040928-0001  
EM RCD 5/2021  
008362032-0003  
EM RCD 5/2021  
008403703-0001

\* cited by examiner

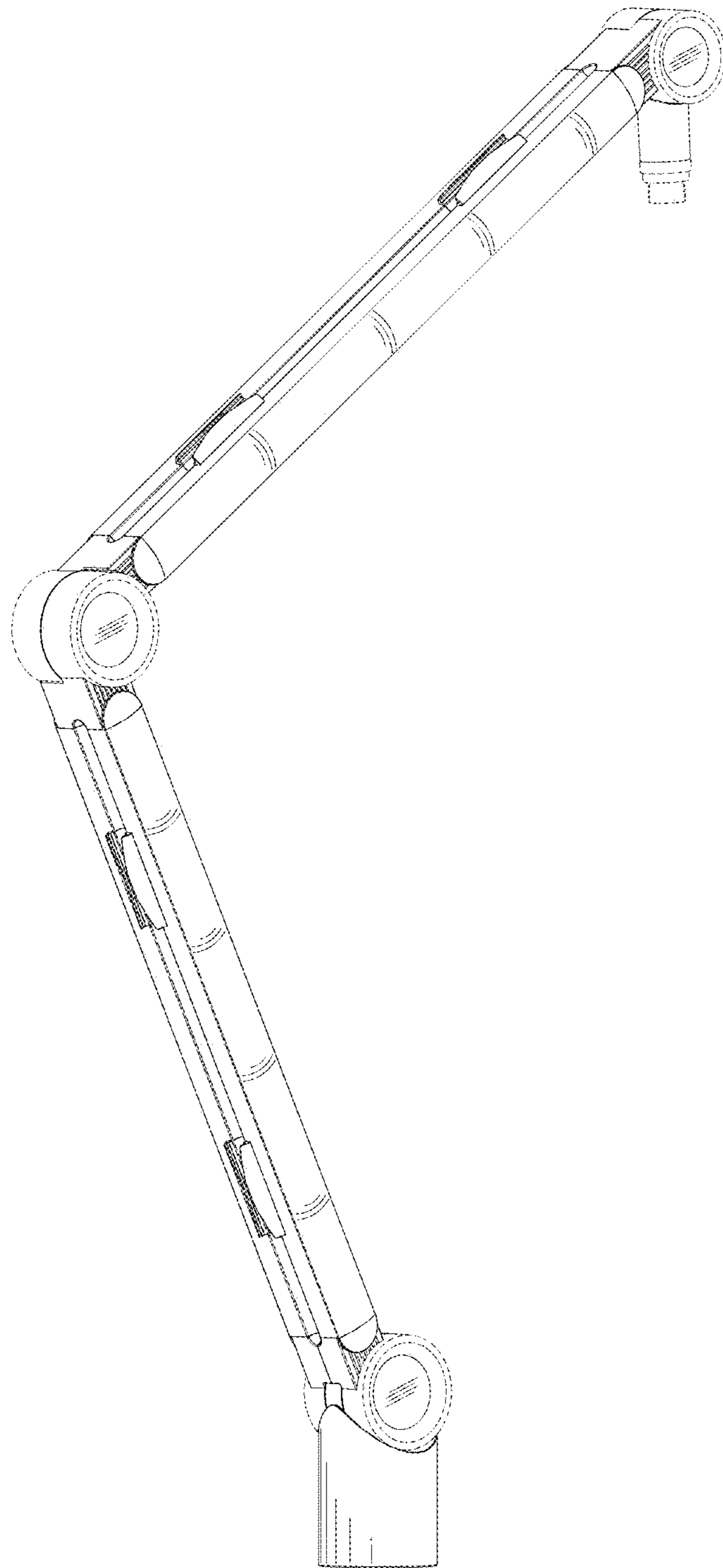


FIG.1

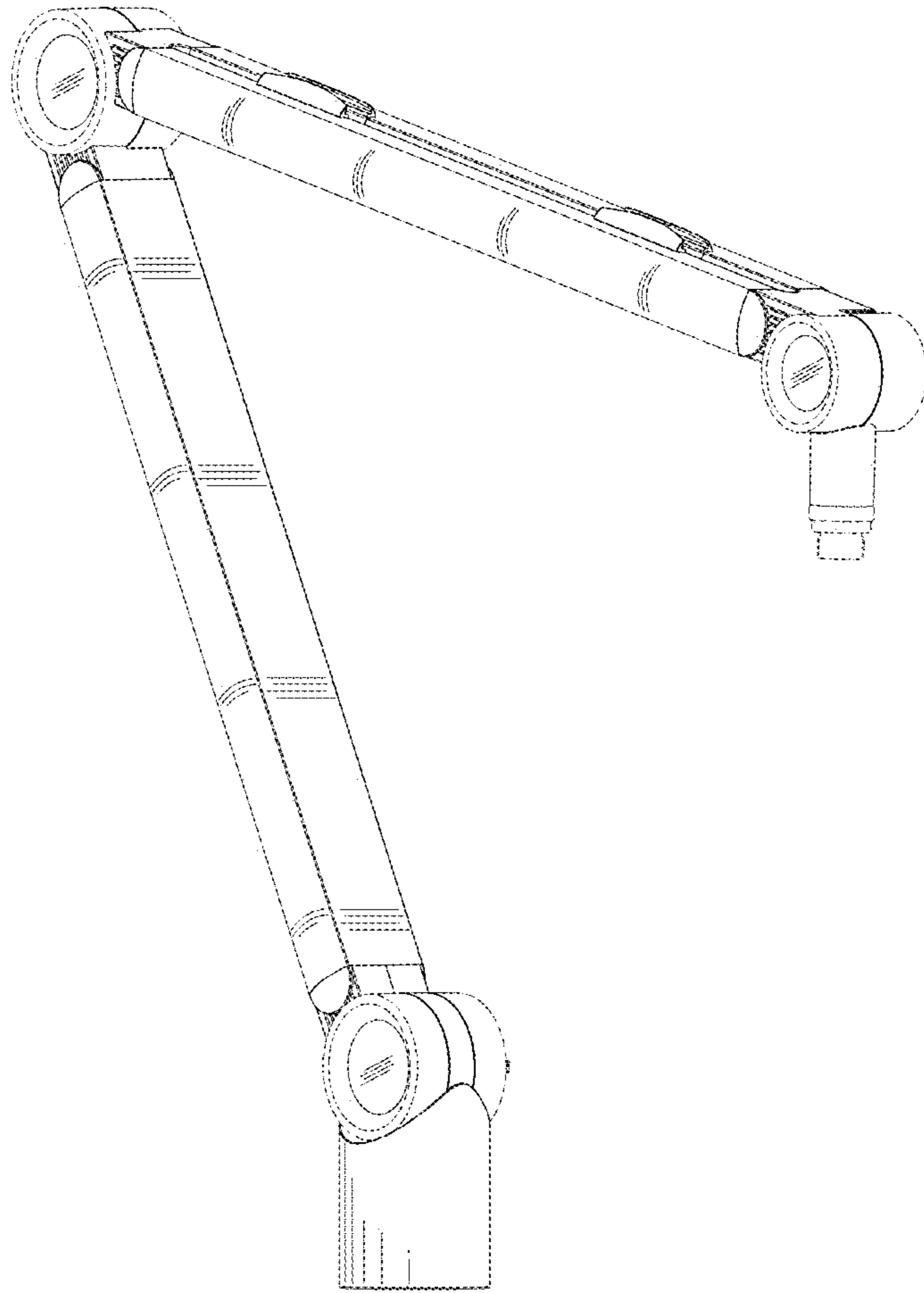


FIG.2



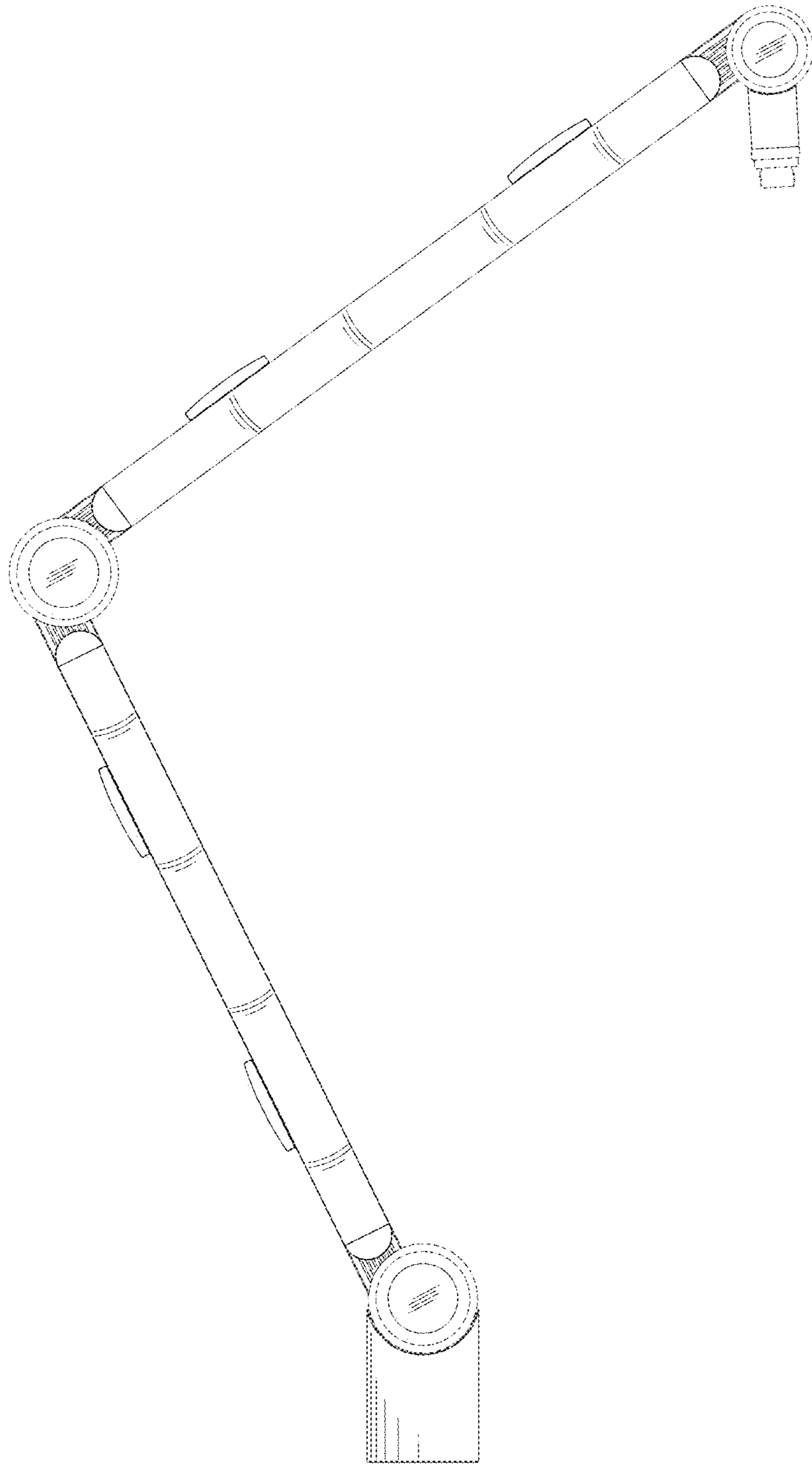


FIG.3

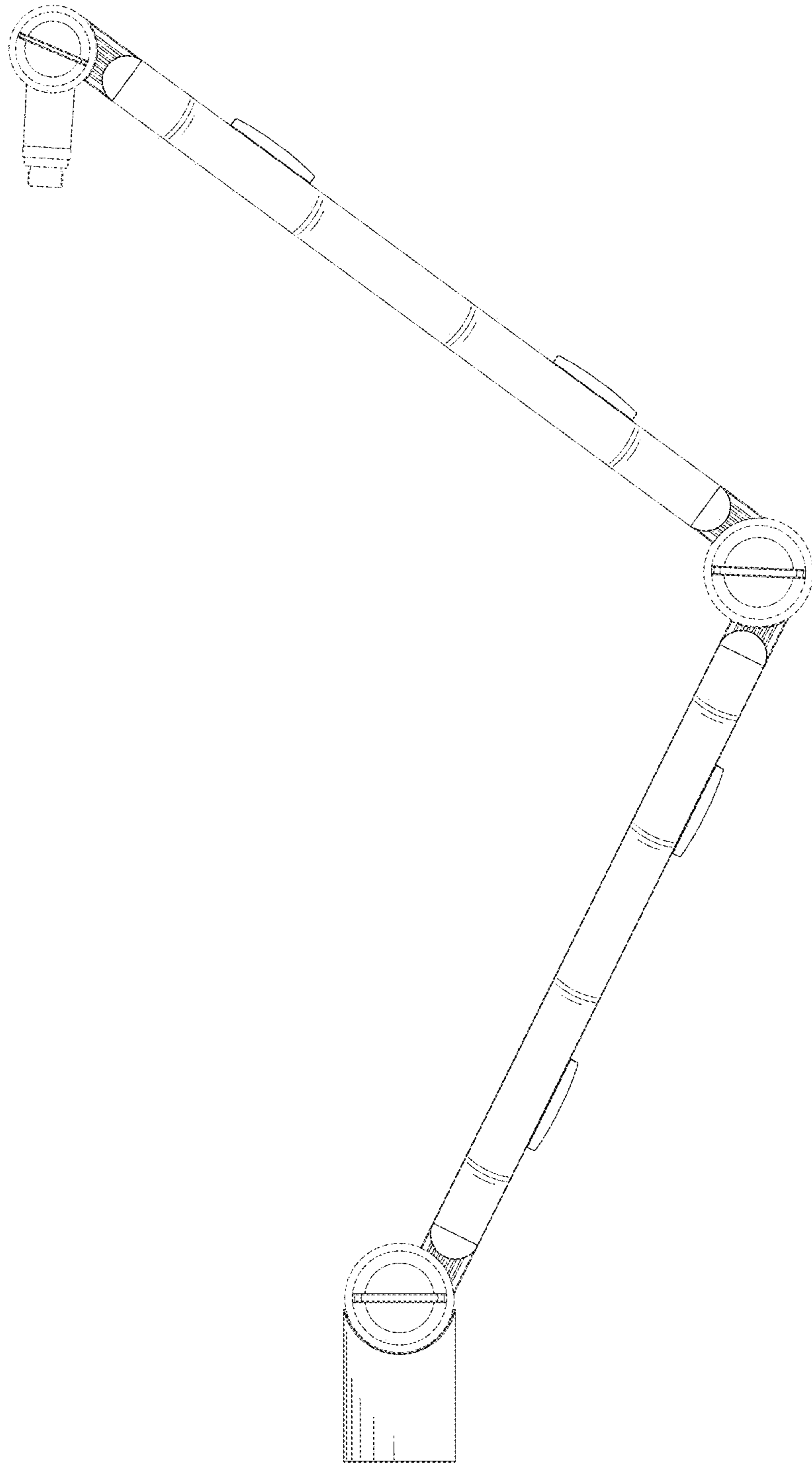


FIG.4

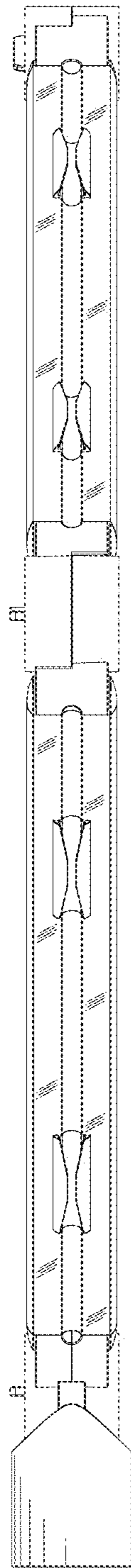


FIG.5

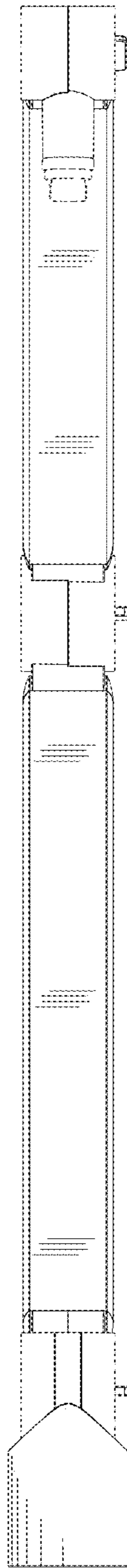


FIG.6



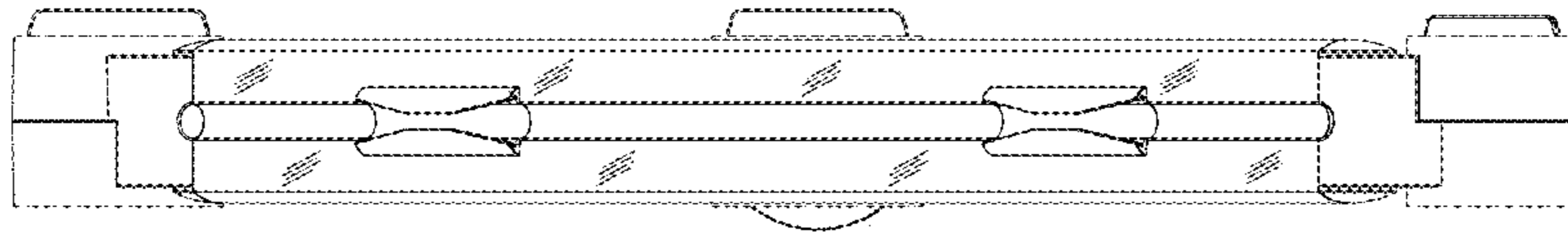


FIG.7

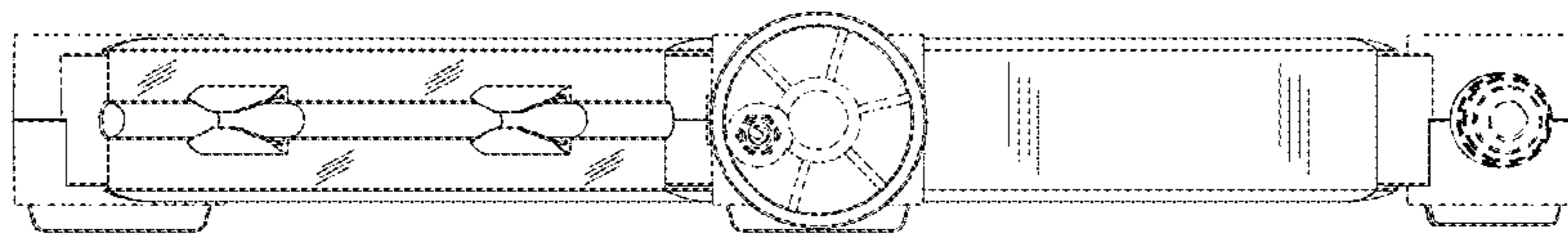


FIG.8

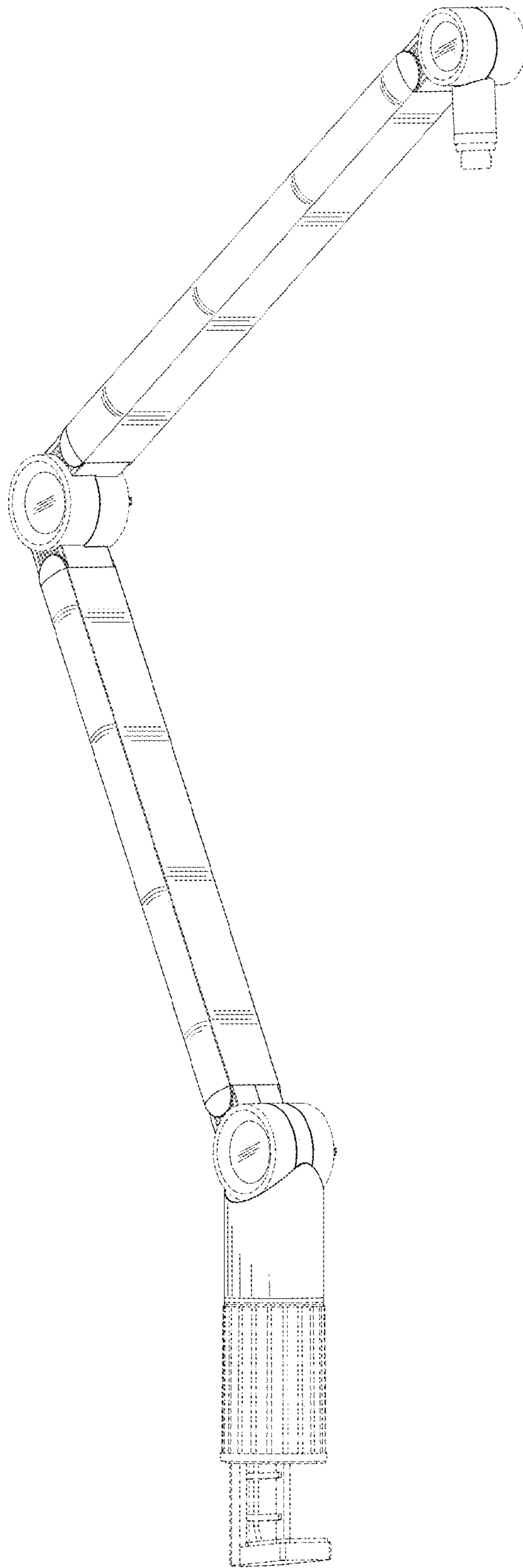


FIG.9