



US00D962902S

(12) **United States Design Patent**
Deng

(10) **Patent No.:** **US D962,902 S**
(45) **Date of Patent:** **** Sep. 6, 2022**

- (54) **USB DESK MICROPHONE**
- (71) Applicant: **Shenzhen Jiayz Photo Industrial, Ltd, Shenzhen (CN)**
- (72) Inventor: **Gang Deng, Shenzhen (CN)**
- (**) Term: **15 Years**
- (21) Appl. No.: **29/774,429**
- (22) Filed: **Mar. 17, 2021**
- (30) **Foreign Application Priority Data**
 - Oct. 13, 2020 (CN) 202030607249.5
- (51) **LOC (13) Cl.** **14-01**
- (52) **U.S. Cl.**
USPC **D14/227**
- (58) **Field of Classification Search**
 - USPC D14/227, 225, 228, 229, 214, 216, 130, D14/133; D13/108; D16/202, 203, 208, D16/214; D26/24, 49, 63; 362/298, 612, 362/800; 348/373, 374, 207.1; 396/419, 396/421, 428; 248/918, 231.41, 231.71; 211/87.01
 - CPC H04R 1/08; H04R 9/048; H04R 19/04; H04R 1/04; H04R 9/08; A47B 96/06; F16M 11/12; F16M 11/38; H04N 5/225

See application file for complete search history.

- (56) **References Cited**
 - U.S. PATENT DOCUMENTS**
 - 2,511,780 A * 6/1950 Masterson F21S 6/003 D26/93
 - 2,763,730 A * 9/1956 Paull H04R 1/326 181/158
 - D179,540 S * 1/1957 Knechtberger 248/185.1
 - 3,005,905 A * 10/1961 Libson H04R 1/08 362/86

- 3,026,956 A * 3/1962 Wilber H04R 1/021 181/153
 - D209,710 S * 12/1967 Bruce D14/133
 - D210,538 S * 3/1968 Lahti D14/213
 - 3,414,686 A * 12/1968 Reinthaler H04R 1/08 403/329
 - 3,488,456 A * 1/1970 Maki H04R 1/08 381/91
 - D220,146 S * 3/1971 Loewy D14/215
 - D222,072 S * 9/1971 Levitt D14/211
 - 3,720,787 A * 3/1973 Ishii H04R 1/02 381/345
 - 4,175,809 A * 11/1979 Dusko H01R 39/00 362/413
 - D286,858 S * 11/1986 Giorgio D9/519
- (Continued)

FOREIGN PATENT DOCUMENTS

- CN 306941815 * 11/2021
 - EM 008434260-0007 * 2/2021
- (Continued)

Primary Examiner — Paula Allen Greene

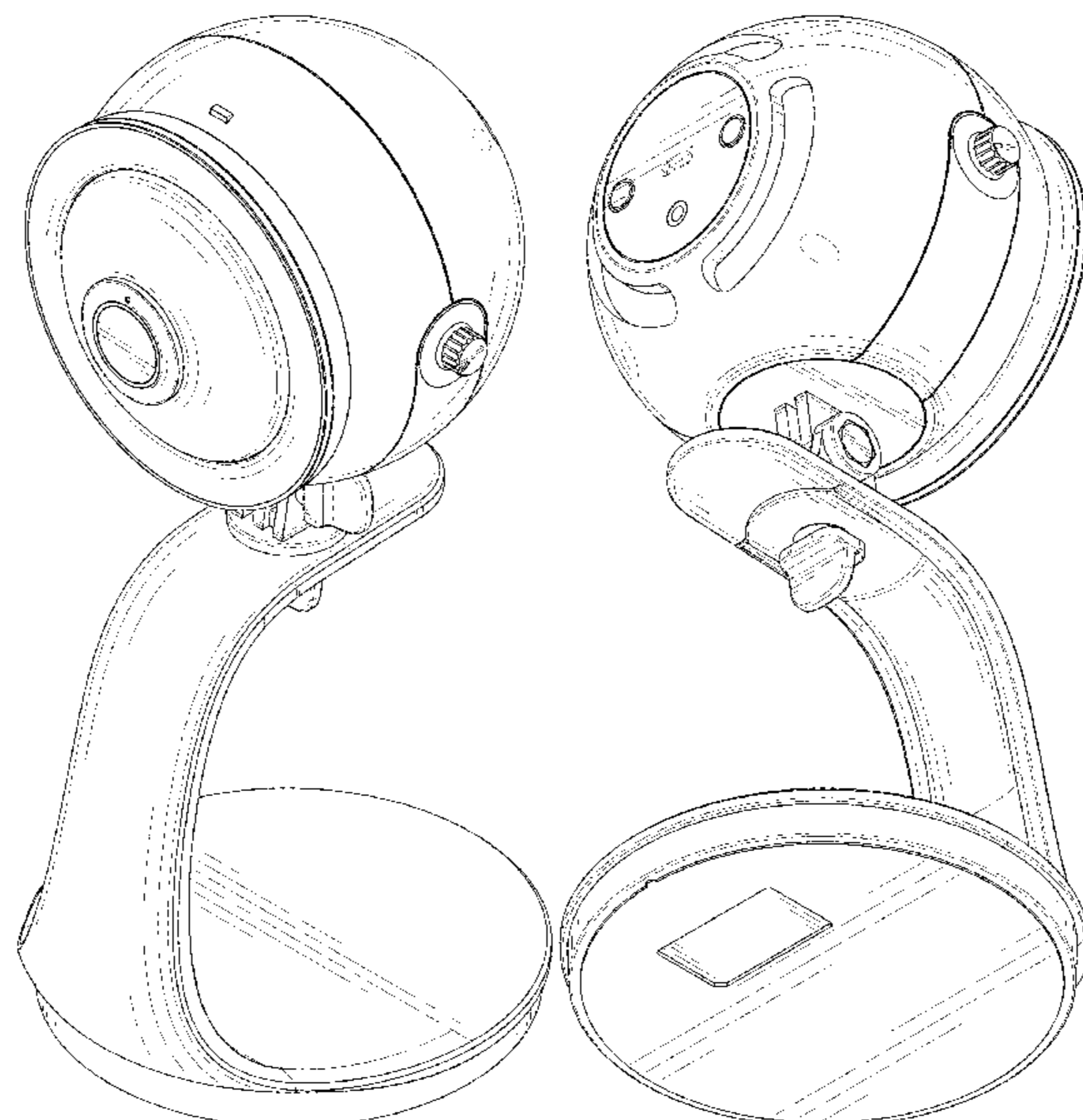
(57) **CLAIM**

The ornamental design for a USB desk microphone, as shown and described.

DESCRIPTION

FIG. 1 is a front and top perspective view of a USB desk microphone, showing my new design;
 FIG. 2 is a rear and bottom perspective view thereof;
 FIG. 3 is a front elevation view thereof;
 FIG. 4 is a rear elevation view thereof;
 FIG. 5 is a left side elevation view thereof;
 FIG. 6 is a right side elevation view thereof;
 FIG. 7 is a top view thereof; and,
 FIG. 8 is a bottom plan view thereof.
 The broken lines in the figures illustrate portions of the USB desk microphone that form no part of the claimed design.

1 Claim, 8 Drawing Sheets



(56)

References Cited

U.S. PATENT DOCUMENTS

D301,632 S * 6/1989 Lohrentz D26/61
4,953,223 A * 8/1990 Householder H04R 1/26
381/387
D313,802 S * 1/1991 Peiker D14/227
D340,253 S * 10/1993 Fedorczak 348/143
5,335,142 A * 8/1994 Anderson G06F 1/1681
361/679.55
D357,481 S * 4/1995 Giuntoli D14/227
D397,120 S * 8/1998 Liou D14/229
D399,860 S * 10/1998 Huang D16/202
5,855,343 A * 1/1999 Krekelberg F16M 13/022
248/126
6,147,701 A * 11/2000 Tamura F16M 11/18
348/36
D455,165 S * 4/2002 Tsang D16/202
D467,238 S * 12/2002 Hlas D14/216
D484,160 S * 12/2003 Kangasmaa D16/202
6,663,066 B1 * 12/2003 Hong H04M 15/745
396/421
D500,511 S * 1/2005 Sybilrud D16/242
7,066,664 B1 * 6/2006 Sitoh F16M 11/126
396/428
D532,807 S * 11/2006 Shih D16/202
D554,682 S * 11/2007 Martinez D16/203
D573,622 S * 7/2008 Fisher D16/202
7,435,019 B2 * 10/2008 Lee G08B 13/1963
348/373
7,719,610 B2 * 5/2010 Kung H04N 5/2252
348/374
7,736,071 B2 * 6/2010 Wahl G03B 17/561
396/419
D628,223 S * 11/2010 Kao D16/202

D637,173 S * 5/2011 Elkerbout D14/159
D645,846 S * 9/2011 Mordechai D14/216
D678,929 S * 3/2013 Hancock D16/202
D729,778 S * 5/2015 Langis D14/227
D729,965 S * 5/2015 Recker D26/63
D731,579 S * 6/2015 Bart D16/242
9,071,740 B1 * 6/2015 Duffy G08B 13/19658
D748,709 S * 2/2016 Jeong D16/202
D757,835 S * 5/2016 Tabuchi D16/203
D785,693 S * 5/2017 Kim D16/202
D810,804 S * 2/2018 Borel D16/203
D831,089 S * 10/2018 Laffon de Mazieres D16/202
D872,158 S * 1/2020 Bytyqi D16/202
D905,023 S * 12/2020 Renwick D14/227
2005/0247845 A1 * 11/2005 Li F16M 11/14
248/346.5
2007/0036539 A1 * 2/2007 Martinez F16M 11/08
396/419
2007/0222888 A1 * 9/2007 Xiao H04N 5/2252
348/E5.026
2008/0166118 A1 * 7/2008 Liang G03B 17/00
348/E5.025
2010/0134635 A1 * 6/2010 Teppan H04N 5/2251
348/207.1
2012/0013791 A1 * 1/2012 Zhan F16M 11/2007
348/373
2015/0176752 A1 * 6/2015 Lewis F16M 11/121
248/560
2018/0340646 A1 * 11/2018 Mehdi G03B 17/55

FOREIGN PATENT DOCUMENTS

EM 008434260-0008 * 2/2021
EM 008434260-0009 * 2/2021

* cited by examiner

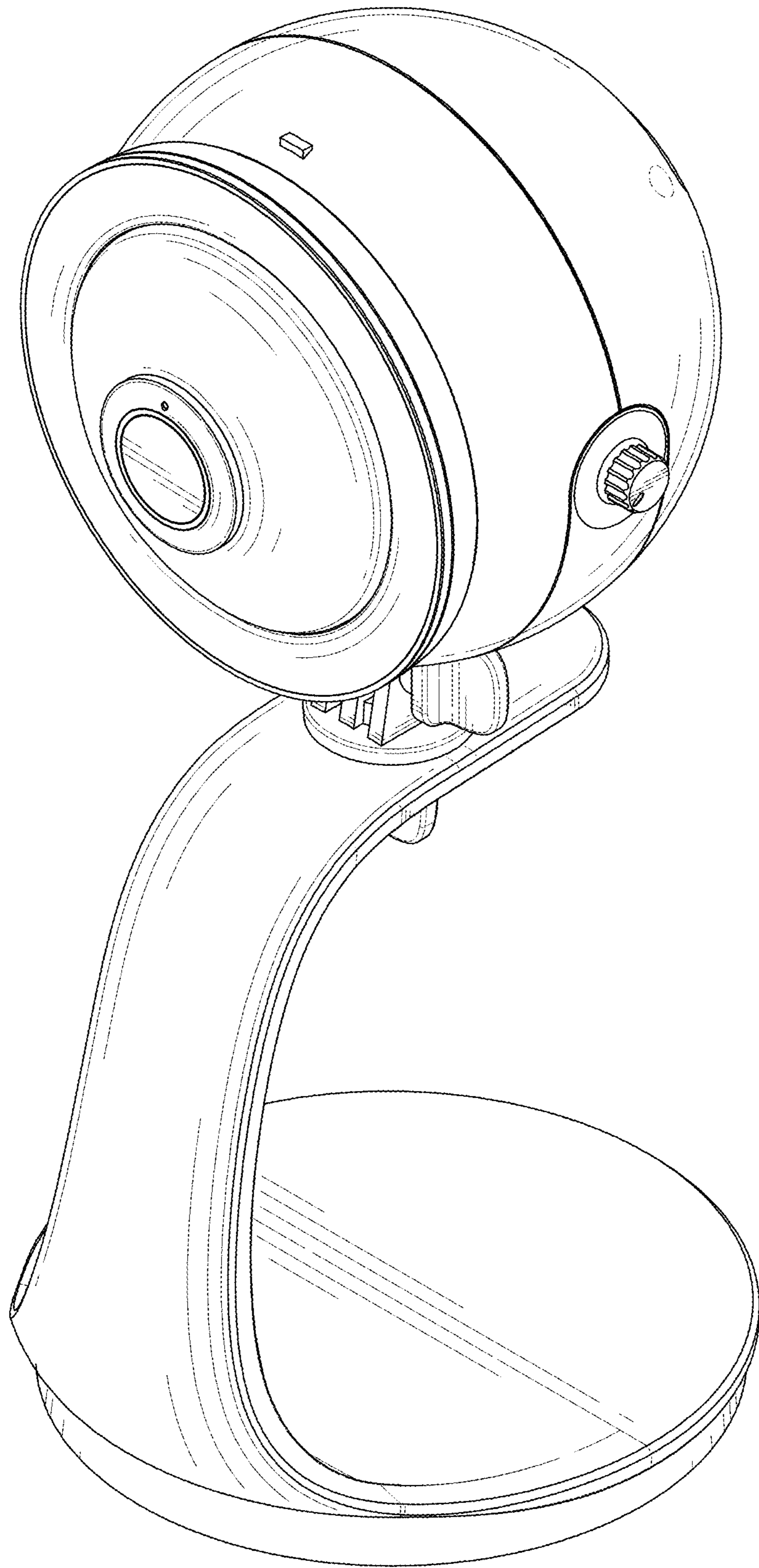


FIG. 1

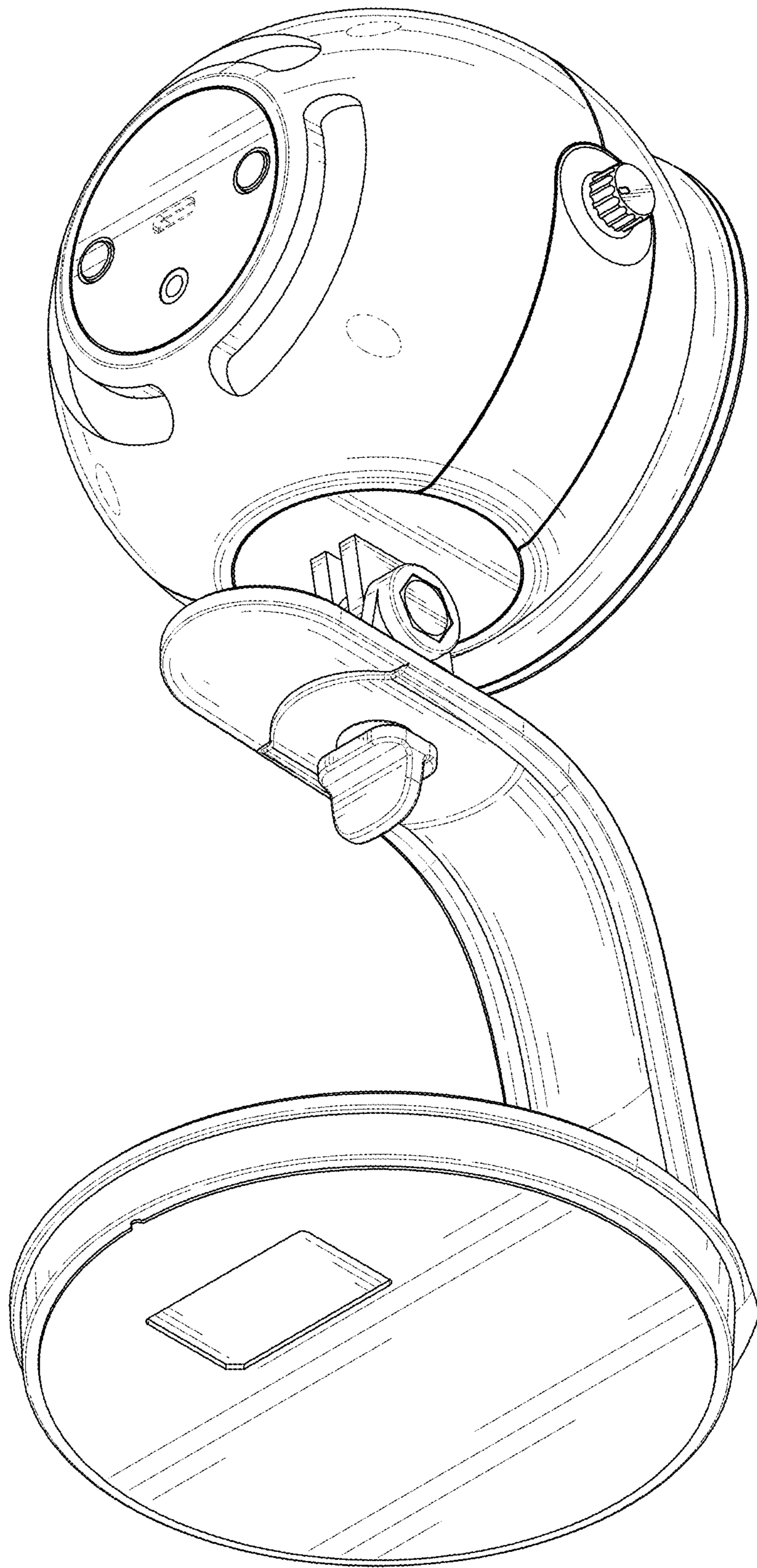


FIG. 2

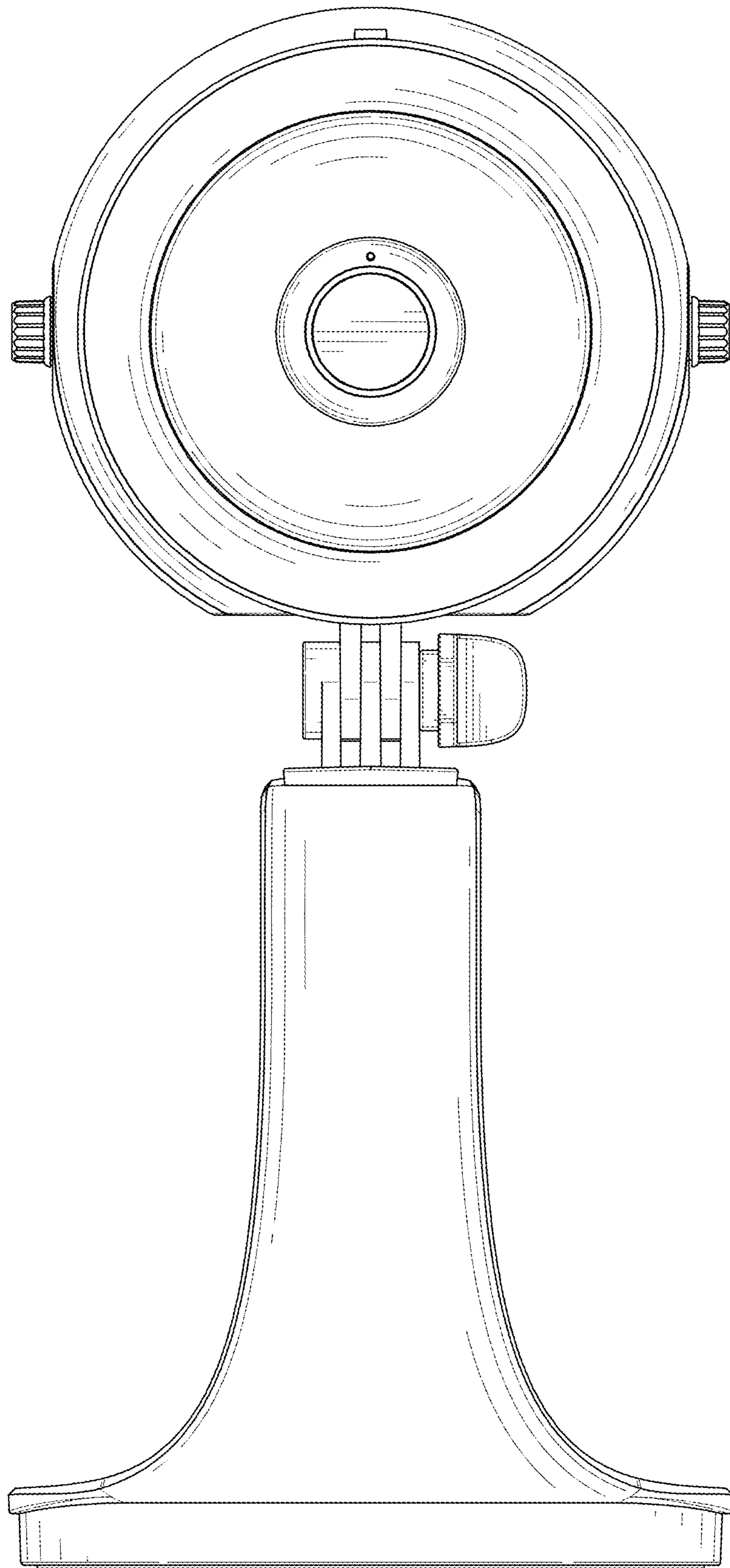


FIG. 3

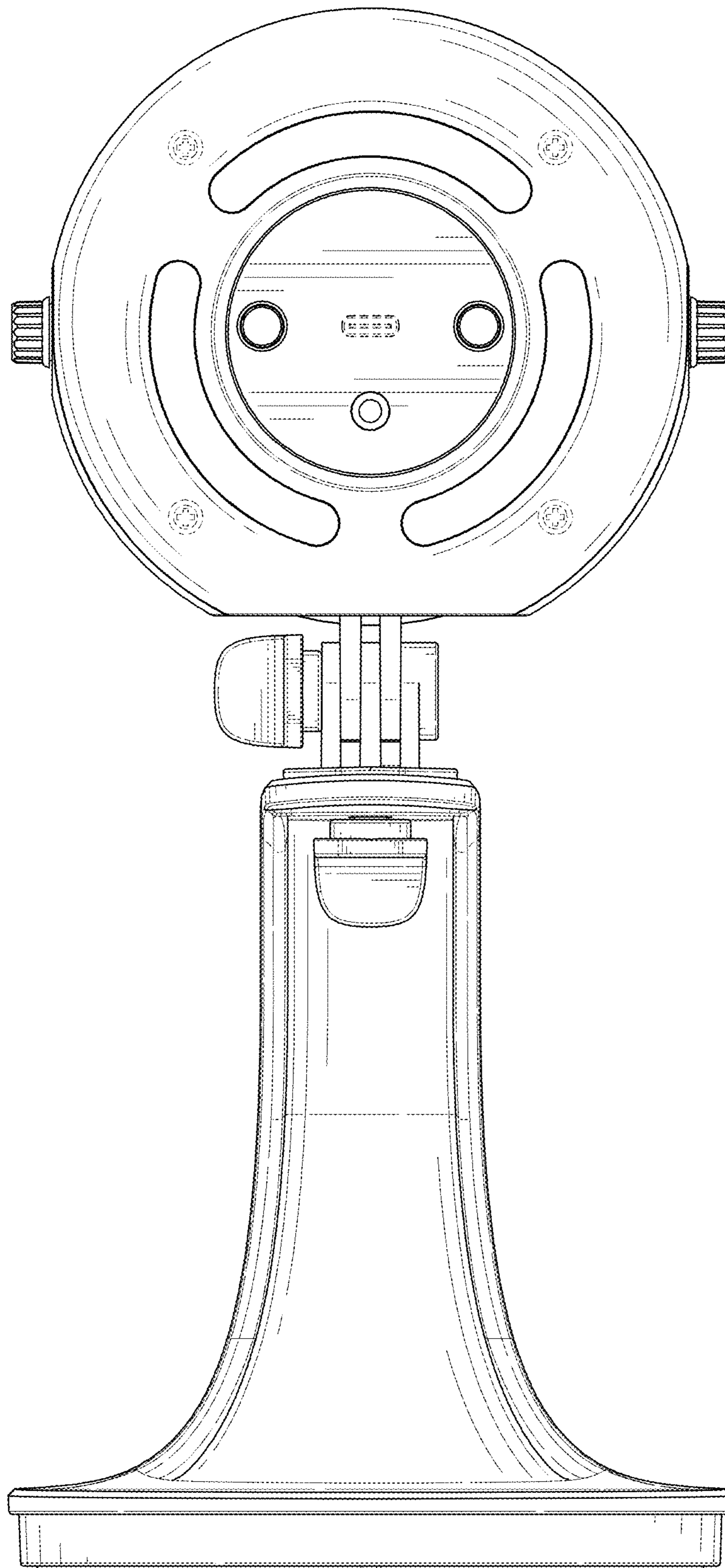


FIG. 4

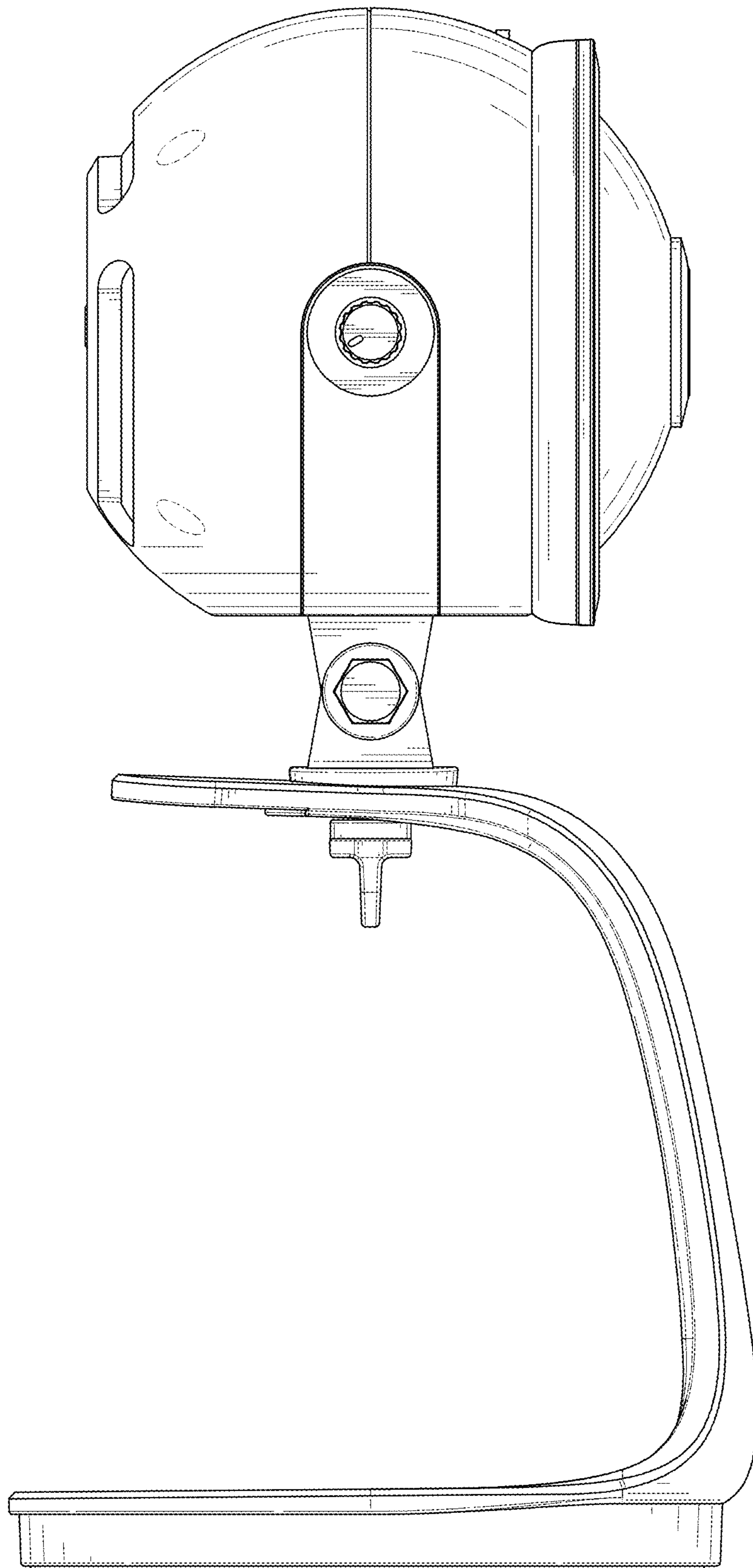


FIG. 5

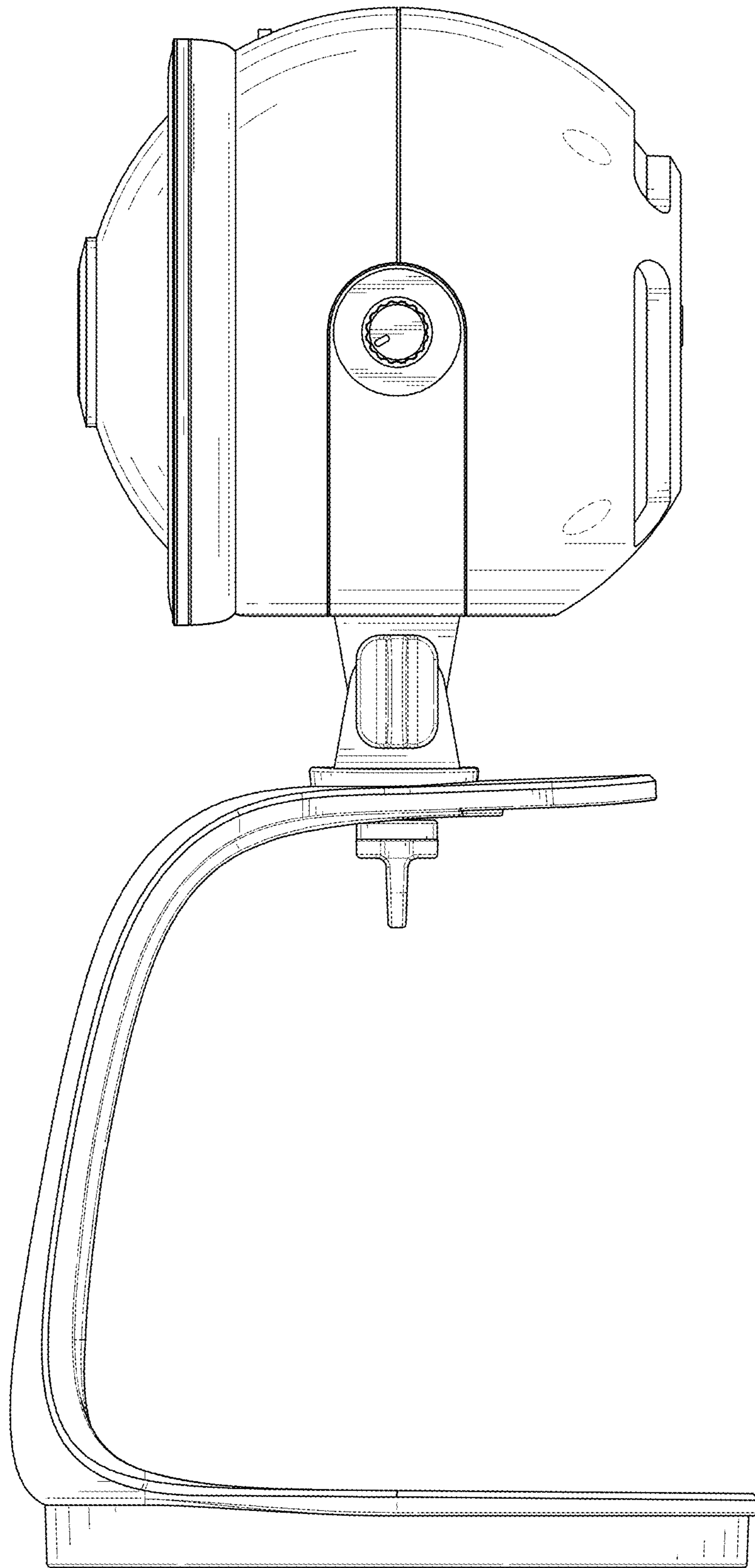


FIG. 6

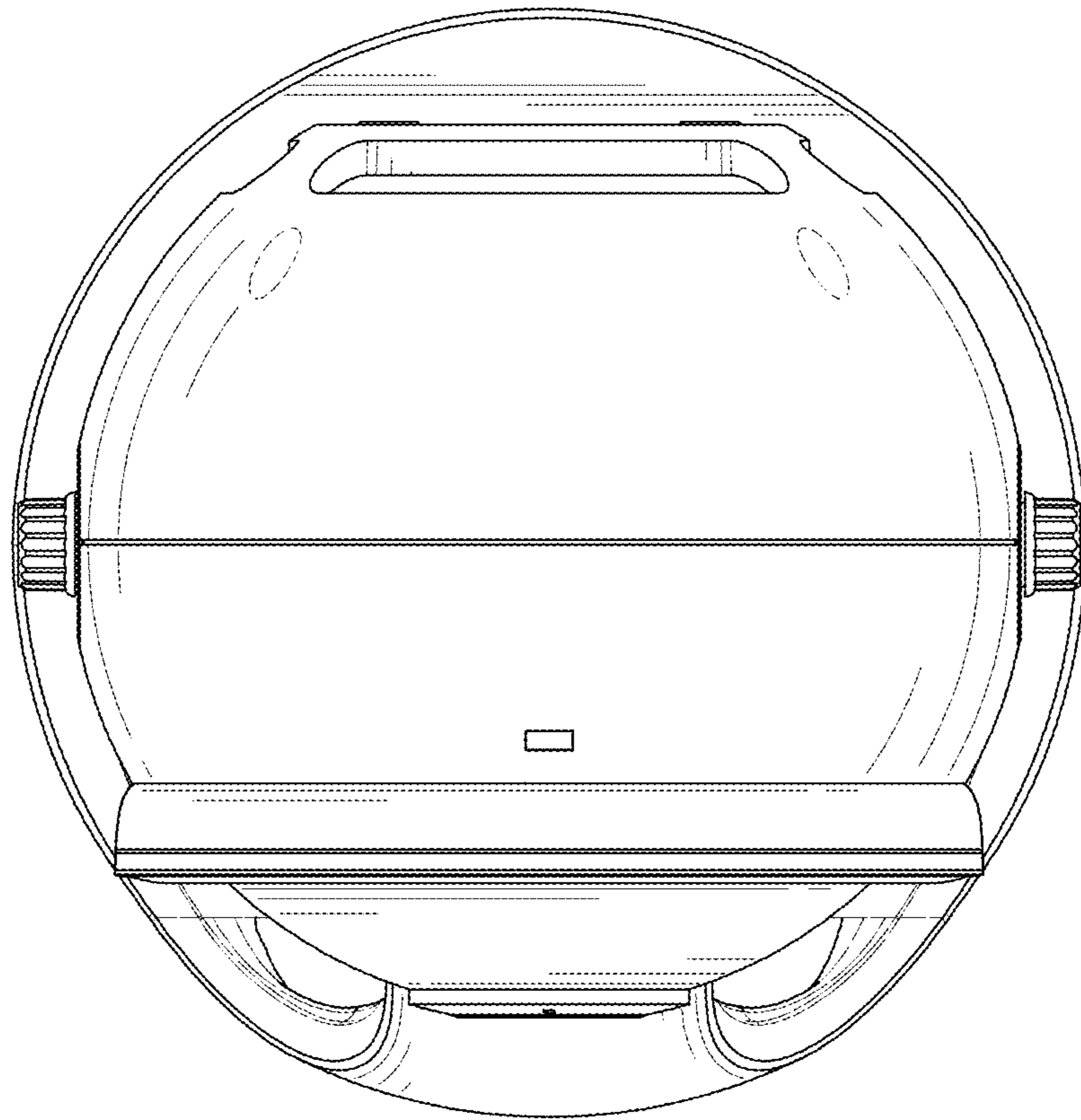


FIG. 7

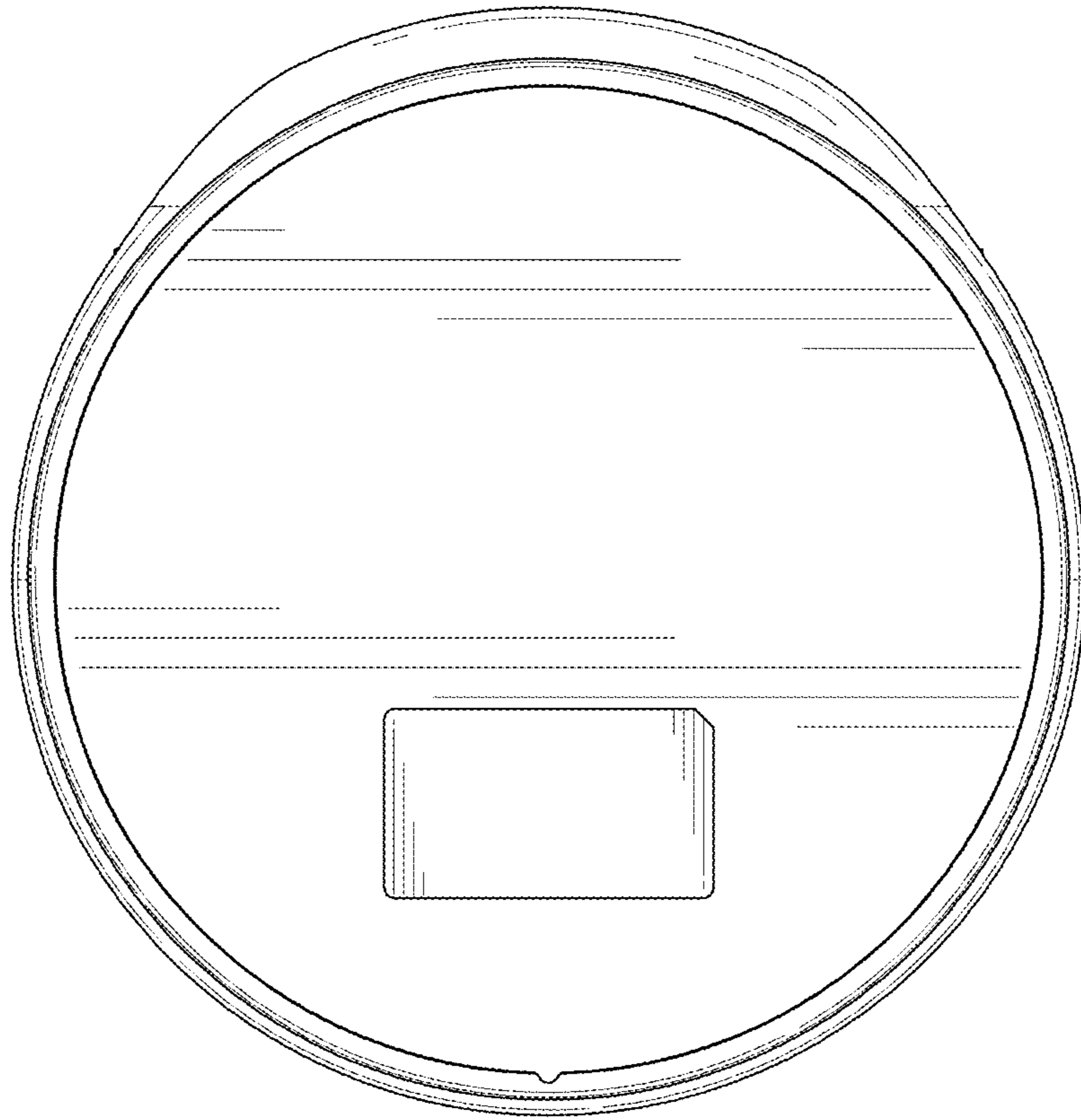


FIG. 8