



US00D962900S

(12) **United States Design Patent**  
**Fernando**

(10) **Patent No.:** **US D962,900 S**  
(45) **Date of Patent:** **\*\* Sep. 6, 2022**

- (54) **EARPIECE AND CHARGER**
- (71) Applicant: **OXIWEAR, INC.**, Arlington, VA (US)
- (72) Inventor: **Shavini Fernando**, Arlington, VA (US)
- (73) Assignee: **OXIWEAR, INC.**, Arlington, VA (US)
- (\*\*) Term: **15 Years**
- (21) Appl. No.: **29/813,435**
- (22) Filed: **Oct. 28, 2021**

- 3,876,130 A 4/1975 Haase
  - D257,930 S 1/1981 Conti
  - D260,134 S 8/1981 Bercu
  - D281,033 S 10/1985 Mohri
  - D309,690 S 8/1990 Carlson
  - D333,560 S 3/1993 Miyashita et al.
  - D335,085 S 4/1993 Wacker
- (Continued)

**Related U.S. Application Data**

- (62) Division of application No. 29/774,172, filed on Mar. 15, 2021, now Pat. No. Des. 937,774, which is a division of application No. 29/695,171, filed on Jun. 17, 2019, now Pat. No. Des. 916,291.
- (51) **LOC (13) Cl.** ..... **14-01**
- (52) **U.S. Cl.**  
USPC ..... **D14/223; D13/108**
- (58) **Field of Classification Search**  
USPC ..... D14/223, 205; D24/169, 174; D13/108;  
381/380, 381; 455/90.3, 575.1, 569.1;  
D3/218, 274, 295  
CPC ..... H04R 1/10; H04R 25/00; H04R 25/02;  
H04R 1/1016; H04R 1/1066; H04R  
5/033; H04R 5/0335; H04R 1/1058;  
A61B 5/00; A61B 5/01; A61B 5/1455;  
A61B 5/024; A61B 5/7455; H02J 7/00  
See application file for complete search history.

**FOREIGN PATENT DOCUMENTS**

- CN 208799232 U 4/2019
  - EM 008324552-0001 12/2020
- (Continued)

**OTHER PUBLICATIONS**

International Search Report and Written Opinion dated Sep. 28, 2020, for International Application No. PCT/US2020/038146.

*Primary Examiner* — Paula Allen Greene  
(74) *Attorney, Agent, or Firm* — Cooley LLP

(57) **CLAIM**

The ornamental design for an earpiece and charger, as shown and described.

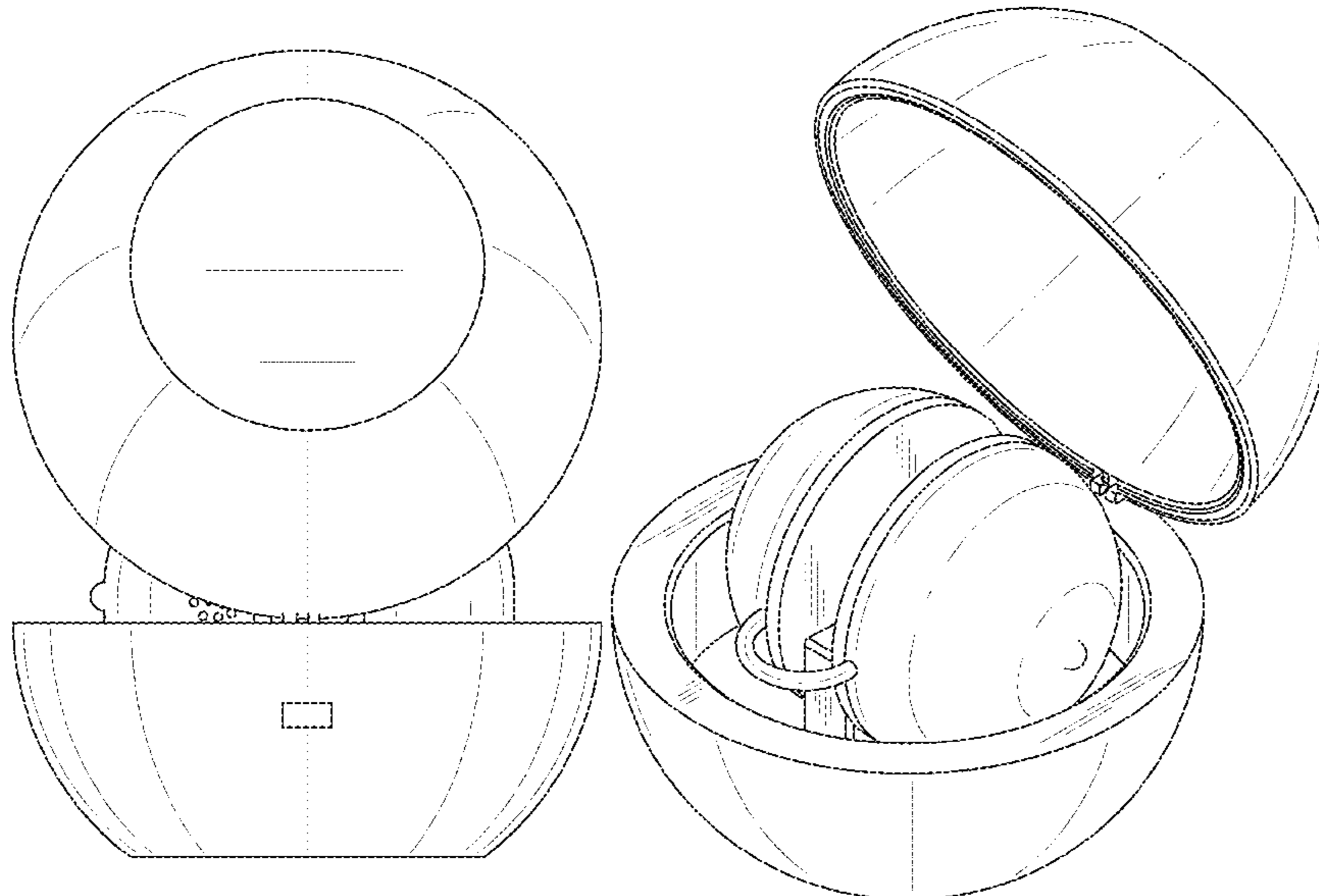
**DESCRIPTION**

FIG. 1 is a front view of the earpiece and charger showing the new design in an open configuration;  
FIG. 2 is a rear view thereof, in the open configuration;  
FIG. 3 is a right side view thereof, in the open configuration;  
FIG. 4 is a left side view thereof, in the open configuration;  
FIG. 5 is a bottom view thereof, in the open configuration;  
FIG. 6 is a top view thereof, in the open configuration;  
FIG. 7 is a first perspective view thereof, in the open configuration; and,  
FIG. 8 is a second perspective view thereof, in the open configuration.

**1 Claim, 8 Drawing Sheets**

(56) **References Cited**  
U.S. PATENT DOCUMENTS

- 1,625,114 A 4/1927 Coryell
- 3,043,354 A 7/1962 Fitzgerald
- 3,145,872 A 8/1964 Thomas
- D209,789 S 1/1968 Huston
- D234,968 S 4/1975 Ervin



(56)

References Cited

U.S. PATENT DOCUMENTS

D337,177 S 7/1993 Tiramani et al.  
 D350,757 S 9/1994 Carpenter  
 5,830,137 A 11/1998 Scharf  
 5,887,720 A 3/1999 Lin  
 D459,299 S 6/2002 Hughes et al.  
 6,497,495 B1 12/2002 Janz  
 6,580,800 B1 6/2003 Yamasaki et al.  
 D483,014 S 12/2003 Hsiao  
 D485,390 S 1/2004 Stancik et al.  
 6,677,078 B2 1/2004 Reise et al.  
 D504,672 S 5/2005 Hirano  
 D512,982 S 12/2005 Rodarte  
 D515,069 S 2/2006 Naito  
 D516,025 S 2/2006 Quinn  
 7,010,137 B1 3/2006 Leedom et al.  
 D518,477 S 4/2006 Chen  
 D551,216 S 9/2007 Wei  
 D552,087 S 10/2007 Wei  
 D553,077 S 10/2007 Kim et al.  
 D586,935 S 2/2009 Lassen  
 7,557,533 B2 7/2009 Yang  
 D606,971 S 12/2009 Christopher et al.  
 7,746,028 B1 \* 6/2010 Yang ..... H04M 1/05  
 320/114  
 D621,389 S 8/2010 Nagayama et al.  
 D633,899 S 3/2011 Zheng et al.  
 D635,961 S 4/2011 Gidden et al.  
 7,983,437 B2 7/2011 Wong et al.  
 D648,470 S 11/2011 Rains  
 D651,208 S 12/2011 Pacyga et al.  
 D652,817 S 1/2012 Lee et al.  
 D670,396 S 11/2012 Doogan  
 D671,096 S 11/2012 Song et al.  
 8,345,912 B2 1/2013 Akihiko et al.  
 D683,331 S 5/2013 Nysten  
 D698,026 S 1/2014 Kuwata et al.  
 D699,226 S 2/2014 Yoon  
 8,655,005 B2 \* 2/2014 Birger ..... H04R 1/1091  
 381/381  
 D708,377 S 7/2014 Osiecki et al.  
 8,891,800 B1 11/2014 Shaffer  
 8,983,108 B2 \* 3/2015 Ho ..... H04R 1/1058  
 381/328  
 D727,301 S 4/2015 Smith et al.  
 D740,223 S 10/2015 Yoneta  
 D740,786 S 10/2015 Huang et al.  
 D751,053 S 3/2016 Shin et al.  
 D756,971 S 5/2016 Park et al.  
 D758,901 S 6/2016 Benoit et al.  
 D771,599 S 11/2016 Kim  
 D783,422 S 4/2017 Kashimoto  
 D786,221 S 5/2017 Stoch  
 D801,312 S \* 10/2017 Birger ..... H04R 1/1025  
 D14/223  
 D809,664 S \* 2/2018 Ma ..... D24/169

D814,457 S \* 4/2018 Willis ..... D14/344  
 D821,392 S \* 6/2018 Kwon ..... D14/344  
 D822,007 S \* 7/2018 Willis ..... D14/223  
 D835,286 S \* 12/2018 Sebban ..... D24/187  
 D846,264 S \* 4/2019 Wu ..... D3/201  
 D851,035 S \* 6/2019 Hong ..... D13/108  
 D851,913 S \* 6/2019 Yu ..... D3/201  
 D853,350 S \* 7/2019 Lindén ..... D14/223  
 D853,358 S \* 7/2019 Damboulev ..... D14/223  
 D853,992 S \* 7/2019 Kuh ..... D24/174  
 D853,993 S \* 7/2019 Kuh ..... D24/174  
 D855,808 S \* 8/2019 Smith ..... D24/186  
 D863,261 S \* 10/2019 Zhu ..... D14/223  
 D865,663 S \* 11/2019 Yao ..... D13/108  
 D871,069 S \* 12/2019 Carlson ..... D3/294  
 D873,217 S \* 1/2020 Zhang ..... D3/294  
 D880,458 S \* 4/2020 Minarsch ..... D14/223  
 D881,810 S \* 4/2020 Zhang ..... D13/108  
 D886,083 S \* 6/2020 Cho ..... D14/206  
 D886,455 S \* 6/2020 Williamson ..... D3/294  
 D888,664 S \* 6/2020 Ma ..... D13/108  
 D890,136 S \* 7/2020 Cohen ..... D14/223  
 D891,774 S \* 8/2020 Yu ..... D14/440  
 D892,770 S \* 8/2020 Gao ..... D14/223  
 D894,123 S \* 8/2020 Xiong ..... D14/223  
 D902,856 S \* 11/2020 Klein ..... D13/108  
 D913,223 S \* 3/2021 Li ..... D3/294  
 D916,291 S \* 4/2021 Fernando ..... D24/169  
 10,987,067 B2 \* 4/2021 Fernando ..... A61B 5/7455  
 D937,774 S \* 12/2021 Fernando ..... D14/223  
 2006/0258412 A1 11/2006 Liu  
 2009/0227852 A1 9/2009 Glaser  
 2011/0034783 A1 2/2011 Lisogurski et al.  
 2012/0253159 A1 10/2012 Medina et al.  
 2014/0243617 A1 8/2014 LeBoeuf et al.  
 2015/0305674 A1 \* 10/2015 McPherson ..... A61B 5/11  
 600/301  
 2016/0081562 A1 \* 3/2016 Lachhman ..... A61B 5/02108  
 600/301  
 2017/0094394 A1 \* 3/2017 McPeak ..... H04R 1/1075  
 2019/0117159 A1 \* 4/2019 Peeters ..... A61B 5/02438  
 2019/0212198 A1 7/2019 Marsh  
 2020/0110569 A1 4/2020 Deng  
 2020/0162807 A1 5/2020 Lim  
 2020/0196042 A1 6/2020 Cai  
 2020/0216228 A1 7/2020 Wang et al.  
 2020/0304899 A1 \* 9/2020 Cramer ..... H02J 7/0042  
 2020/0321791 A1 \* 10/2020 Rugolo ..... H04R 1/1025  
 2020/0390402 A1 \* 12/2020 Fernando ..... A61B 5/7455  
 2021/0204887 A1 7/2021 Fernando  
 2021/0275111 A1 9/2021 Fernando

FOREIGN PATENT DOCUMENTS

GB 9008265250-0001 \* 11/2020  
 IN 329425-001-0001 5/2020  
 WO WO 2017/119638 A1 7/2017

\* cited by examiner



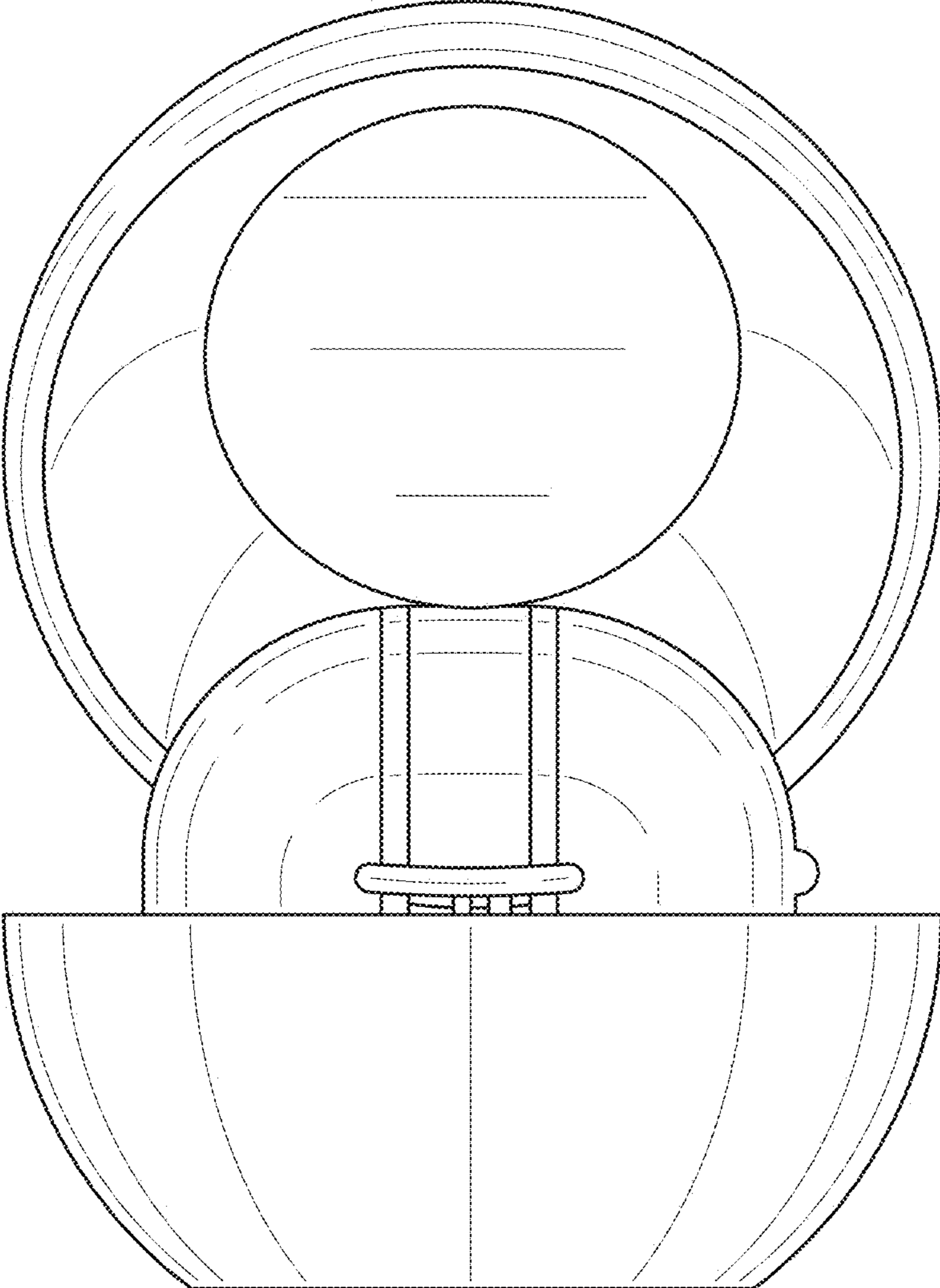


FIG. 1

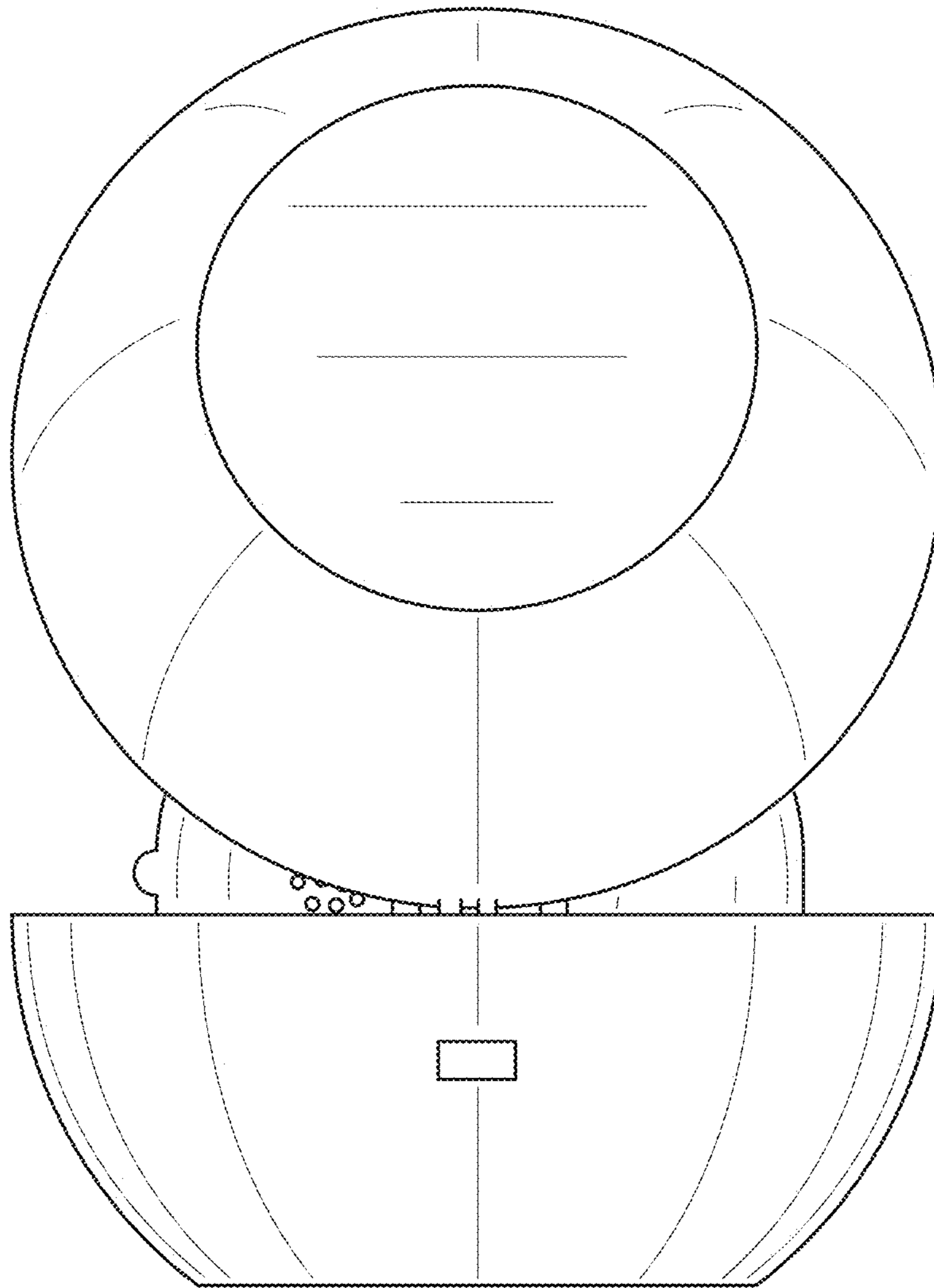


FIG. 2

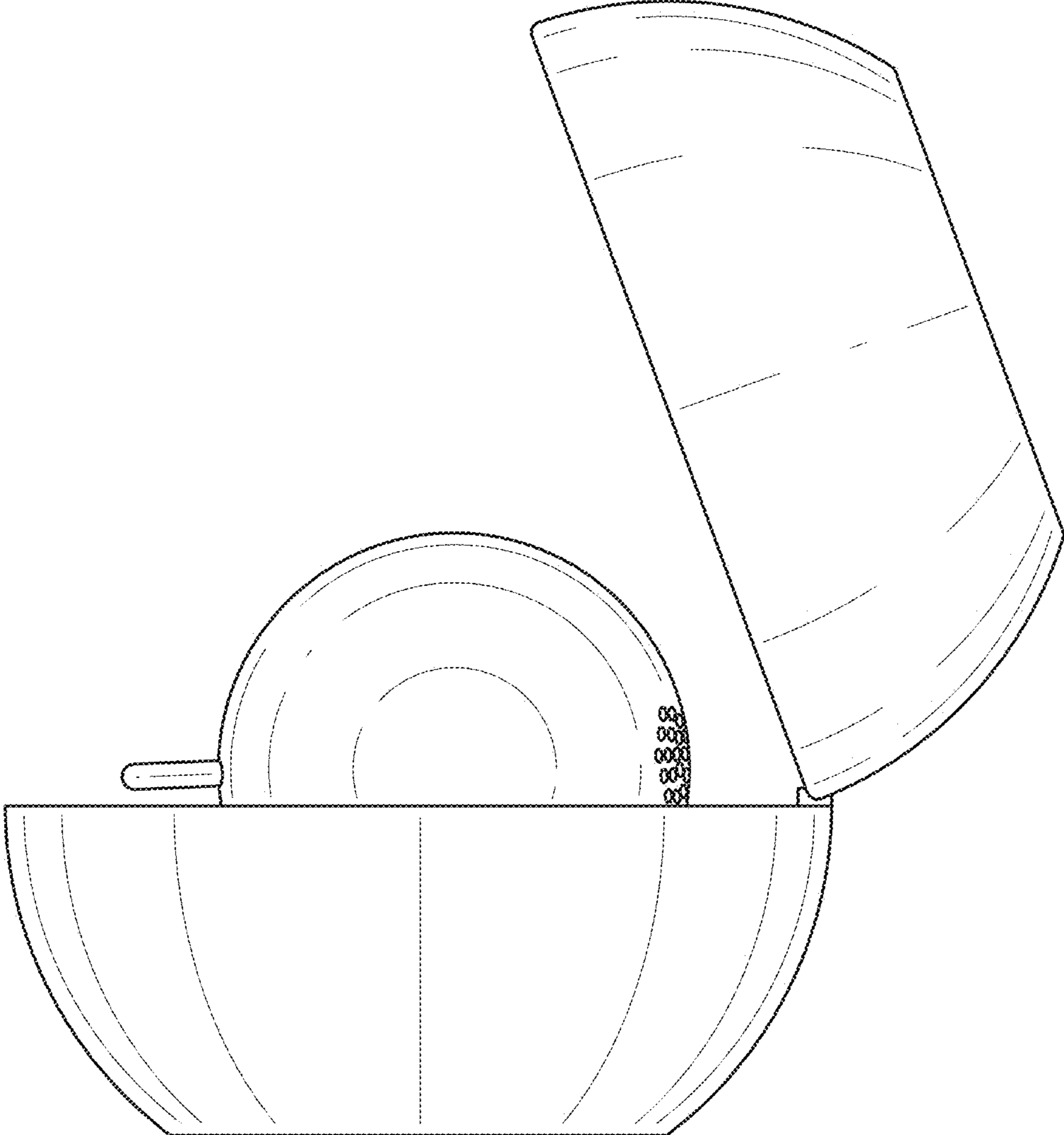


FIG. 3

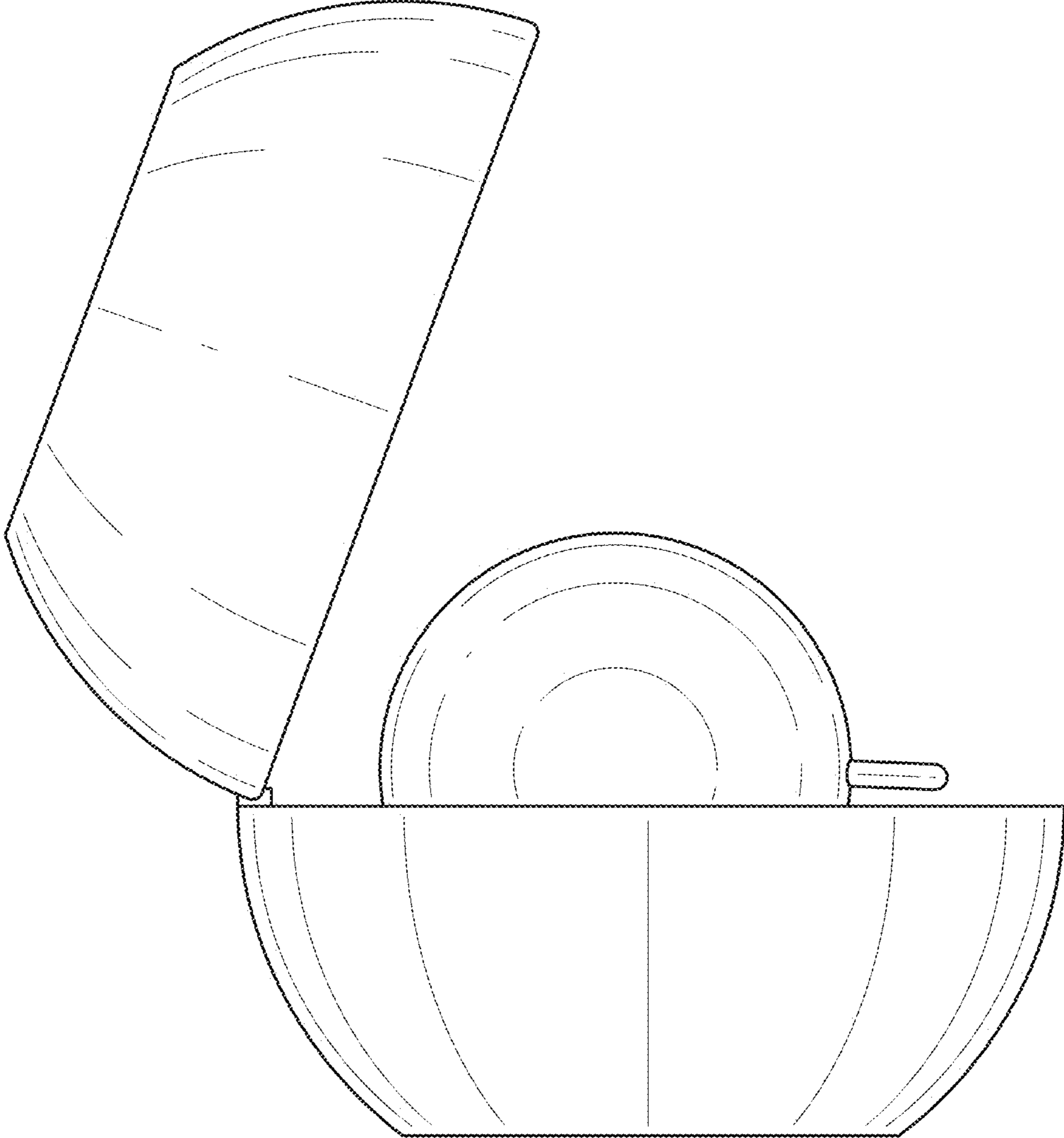


FIG. 4

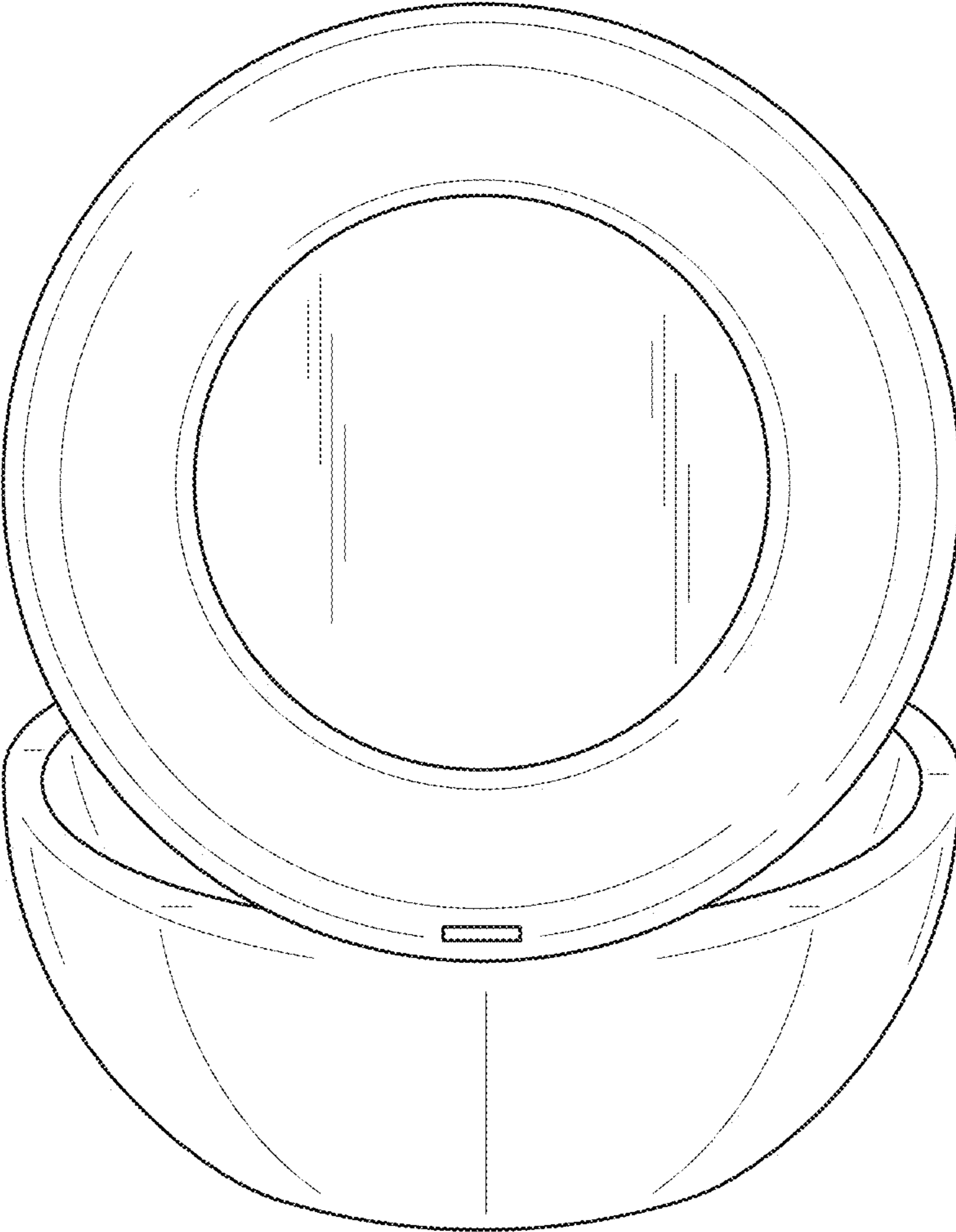


FIG. 5

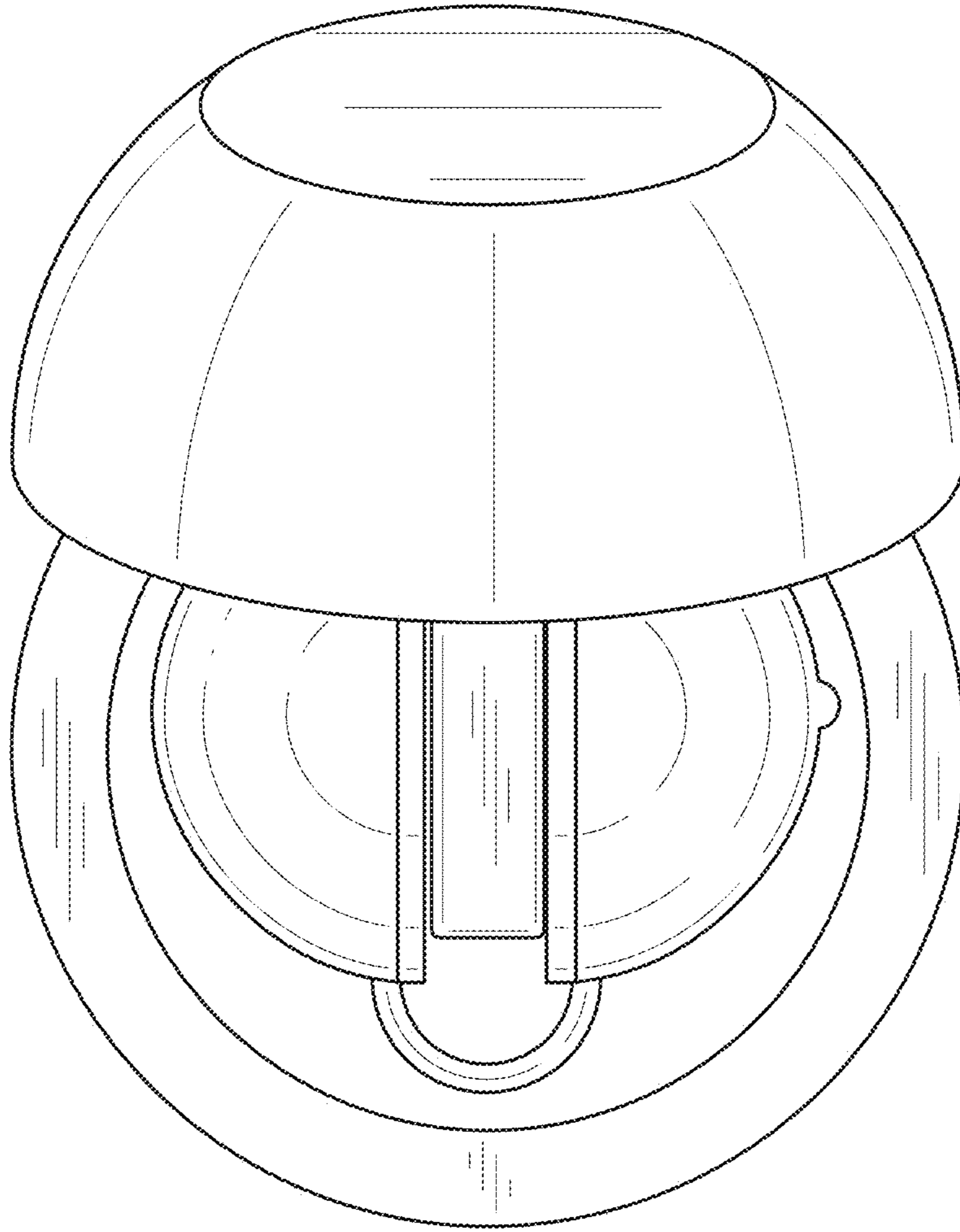


FIG. 6



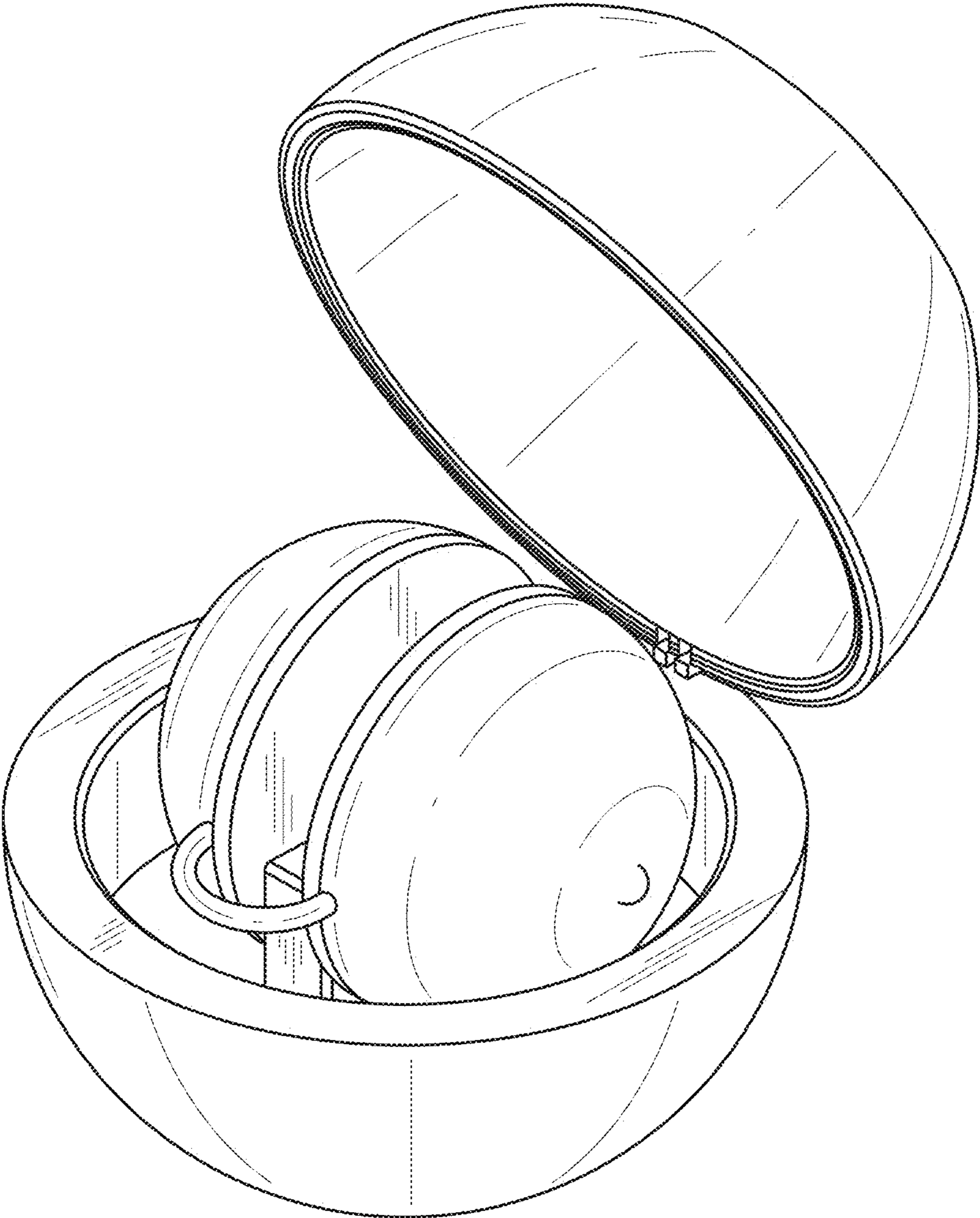


FIG. 7

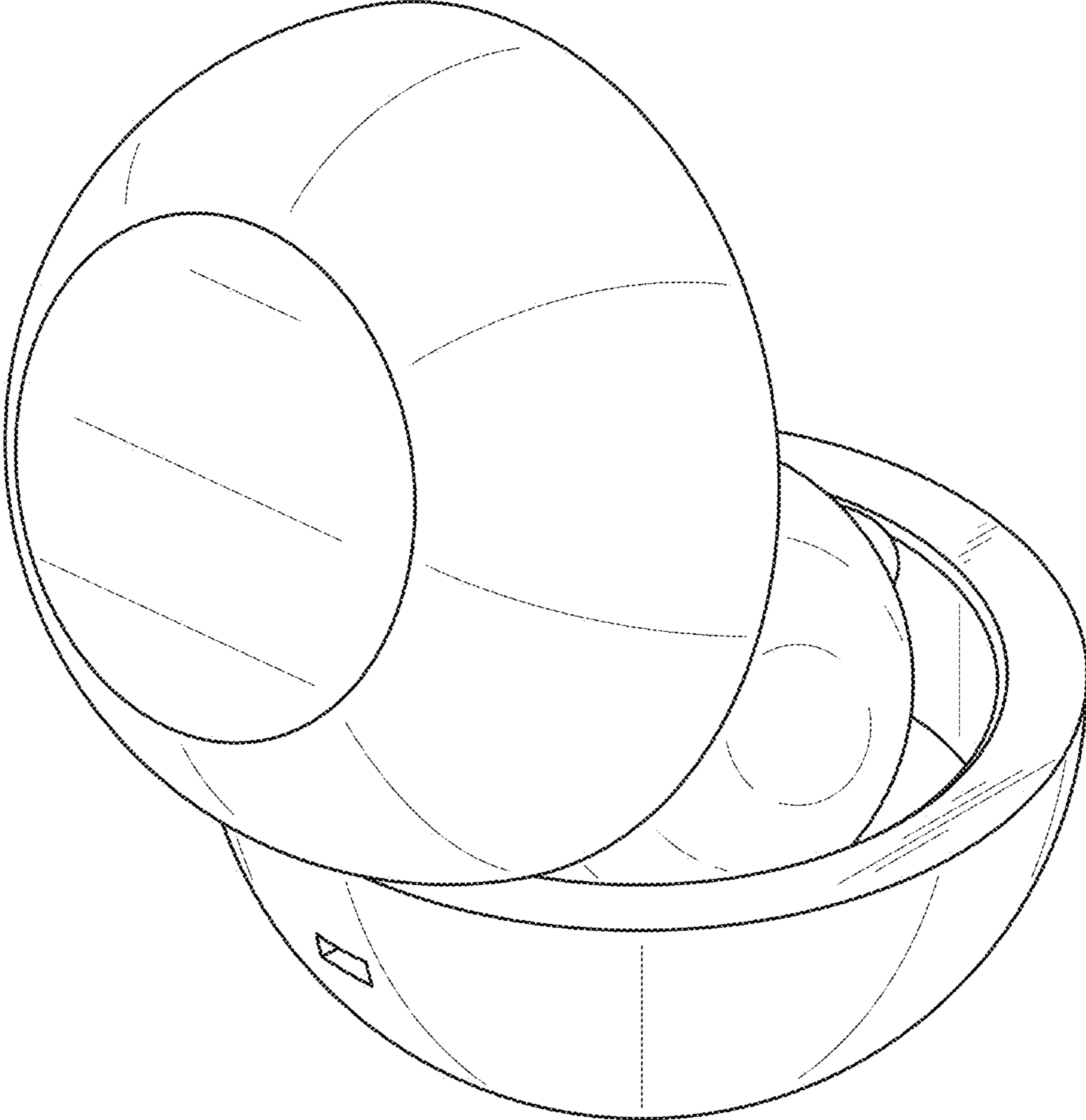


FIG. 8