



US00D962889S

(12) **United States Design Patent** (10) **Patent No.:** **US D962,889 S**
Shimada et al. (45) **Date of Patent:** **** Sep. 6, 2022**

(54) **WORKSTATION DEVICE**

(71) Applicant: **Cisco Technology, Inc.**, San Jose, CA (US)

(72) Inventors: **Naoki Shimada**, Sunnyvale, CA (US);
Otto Williams, Berkeley, CA (US);
Shane Michael Costa Martins,
Moraga, CA (US)

(73) Assignee: **Cisco Technology, Inc.**, San Jose, CA (US)

(**) Term: **15 Years**

(21) Appl. No.: **29/761,150**

(22) Filed: **Dec. 7, 2020**

(51) **LOC (13) Cl.** **14-03**

(52) **U.S. Cl.**
USPC **D14/142; D14/434; D14/130**

(58) **Field of Classification Search**

USPC D14/140, 142, 434, 440, 447, 432, 433,
D14/451, 452, 454, 455, 356, 358, 357,
D14/315, 320, 322, 326, 392, 251-253,
D14/217, 299, 496, 168, 172, 125, 240,
D14/130

CPC G06F 1/16; G06F 1/1616; G06F 1/1626;
G06F 1/1632; G06F 1/1684; G06F
1/1688; G06F 1/266; G06F 13/00; G06F
13/12; G06F 13/14; G06F 13/20; G06F
13/382; G06F 13/4022; F16M 11/10;
F16M 11/20; H02J 57/025; H02J 7/0042;
H02J 7/00; H02J 7/0027; H02J 7/0044;
H02J 7/0045; H02J 7/355; H02J 7/025;
H04R 1/025; H04R 5/04; H01R 31/065;
H01M 10/44; H04M 1/04

See application file for complete search history.

(56) **References Cited**

U.S. PATENT DOCUMENTS

D304,726 S * 11/1989 Brooks D14/149
D324,036 S * 2/1992 Wakasa D14/144
D368,704 S * 4/1996 Tanaka D14/434
D404,393 S * 1/1999 Russmann D14/330

(Continued)

FOREIGN PATENT DOCUMENTS

CN 303719125 * 6/2016

OTHER PUBLICATIONS

Chinese Office Action dated Nov. 2, 2021 for Chinese Patent Application No. 202130345430.8, a foreign counterpart to U.S. Appl. No. 29/761,150, 1 page.

Primary Examiner — Marie D. Fast Horse

(74) *Attorney, Agent, or Firm* — Lee & Hayes, P.C.

(57) **CLAIM**

The ornamental design for a workstation device, as shown and described.

DESCRIPTION

FIG. 1 is a top, front, right-side perspective view of a workstation device;

FIG. 2 is a bottom, back, right-side perspective view thereof;

FIG. 3 is a top, back, right-side perspective view thereof;

FIG. 4 is a front view thereof;

FIG. 5 is a back view thereof;

FIG. 6 is a left-side view thereof;

FIG. 7 is a right-side view thereof;

FIG. 8 is a top view thereof;

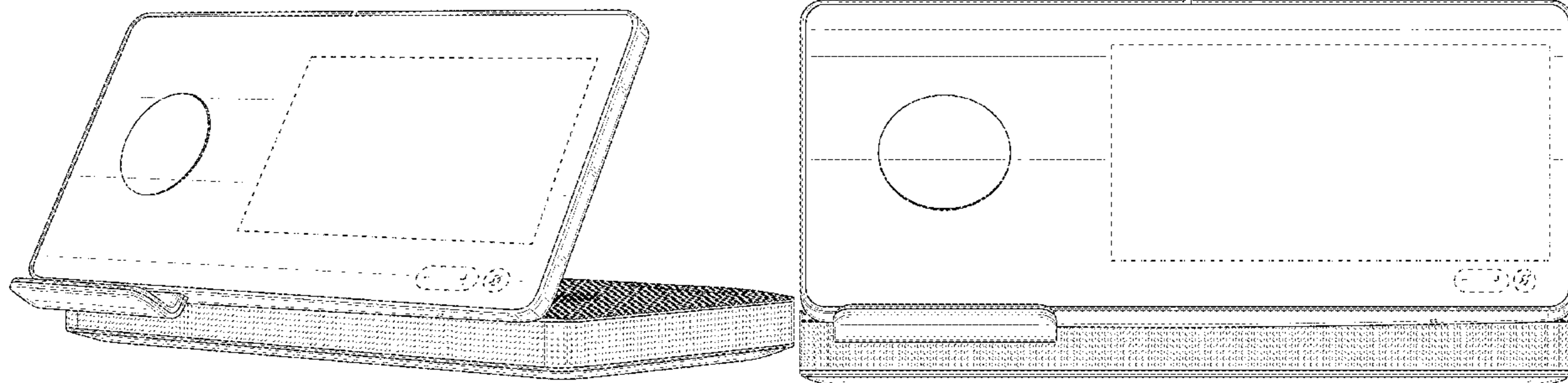
FIG. 9 is a bottom view thereof;

FIG. 10 is a top, back, right-side perspective view including a disclaimed additional feature of the workstation device (e.g., a modular headphone stand); and,

FIG. 11 is a back view thereof.

The dashed broken lines depict portions of the workstation device that form no part of the claimed design.

1 Claim, 11 Drawing Sheets



(56)

References Cited

U.S. PATENT DOCUMENTS

D478,881 S * 8/2003 O'Leary D14/130
 D512,066 S * 11/2005 Solomon D14/434
 D549,676 S * 8/2007 Pelletier D14/130
 D560,208 S * 1/2008 Skurdal D14/217
 D567,255 S * 4/2008 Miyawaki D14/496
 D584,731 S * 1/2009 Montgomery D14/434
 D585,397 S * 1/2009 Hwang D14/149
 D596,598 S * 7/2009 Huang D14/130
 D598,453 S * 8/2009 Solomon D14/434
 D611,451 S * 3/2010 Wang D14/209.1
 D615,066 S * 5/2010 Huang D14/142
 D615,515 S * 5/2010 Hwang D14/130
 D616,843 S * 6/2010 Jones D14/130
 D618,192 S * 6/2010 Huang D14/130
 D619,113 S * 7/2010 Sheppard D14/130
 D620,464 S * 7/2010 Quiros D14/130
 D620,472 S * 7/2010 Robinson D14/149
 D621,813 S * 8/2010 Wang D14/209.1
 D627,793 S * 11/2010 Otani D14/499
 D630,602 S * 1/2011 Sheppard D14/142
 D631,024 S * 1/2011 Sheppard D14/142
 D635,583 S * 4/2011 Otani D14/499
 D643,825 S * 8/2011 Hwang D14/130
 D645,025 S * 9/2011 Poandl D14/214
 D646,258 S * 10/2011 Van Der Flier D14/142
 D649,551 S * 11/2011 Hwang D14/434
 D652,816 S * 1/2012 Compoginis D14/151

D658,616 S * 5/2012 Van Der Flier D14/130
 D658,627 S * 5/2012 Katori D14/142
 D668,901 S * 10/2012 Jones D6/575
 D675,211 S * 1/2013 Rouser D14/440
 D682,840 S * 5/2013 Tsai D14/447
 D714,788 S * 10/2014 Haller D14/434
 D724,043 S * 3/2015 Umezawa D14/130
 D725,623 S * 3/2015 Hartmann D14/140
 D731,490 S * 6/2015 Kim D14/434
 D741,334 S * 10/2015 Hillenmayer D14/151
 D750,631 S * 3/2016 Kim D14/434
 D757,677 S * 5/2016 Hutt D14/151
 D758,984 S * 6/2016 Maxwell D16/208
 D769,246 S * 10/2016 Mielnik D14/433
 D771,052 S * 11/2016 Zheng D14/434
 D771,139 S * 11/2016 Poulheim D14/203.3
 D771,140 S * 11/2016 Poulheim D14/203.3
 D784,283 S * 4/2017 Snyder D14/144
 D830,324 S * 10/2018 Stawski D24/186
 10,291,762 B2 * 5/2019 Andersen G06F 1/1632
 D859,414 S * 9/2019 Wu D14/434
 D874,422 S * 2/2020 Yang D14/150
 D893,443 S * 8/2020 Rodriguez D14/150
 D900,051 S * 10/2020 Yang D14/150
 D911,994 S * 3/2021 Amarosa D14/130
 D918,164 S * 5/2021 Vunnava D14/130
 D922,977 S * 6/2021 Rodriguez D14/142
 D938,377 S * 12/2021 Lin D14/130
 D938,378 S * 12/2021 Andresen D14/130
 D938,379 S * 12/2021 Andresen D14/130

* cited by examiner

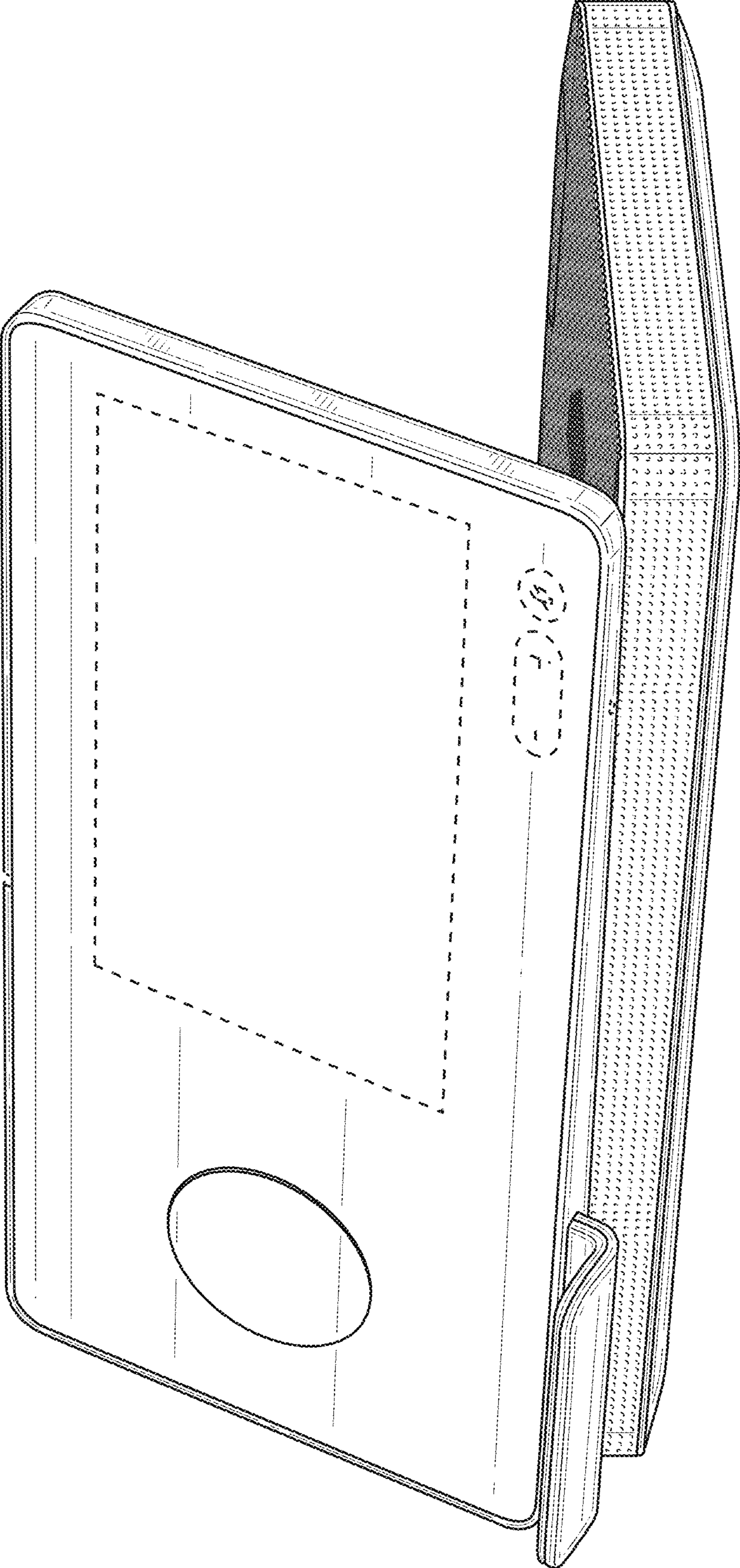


FIG. 1

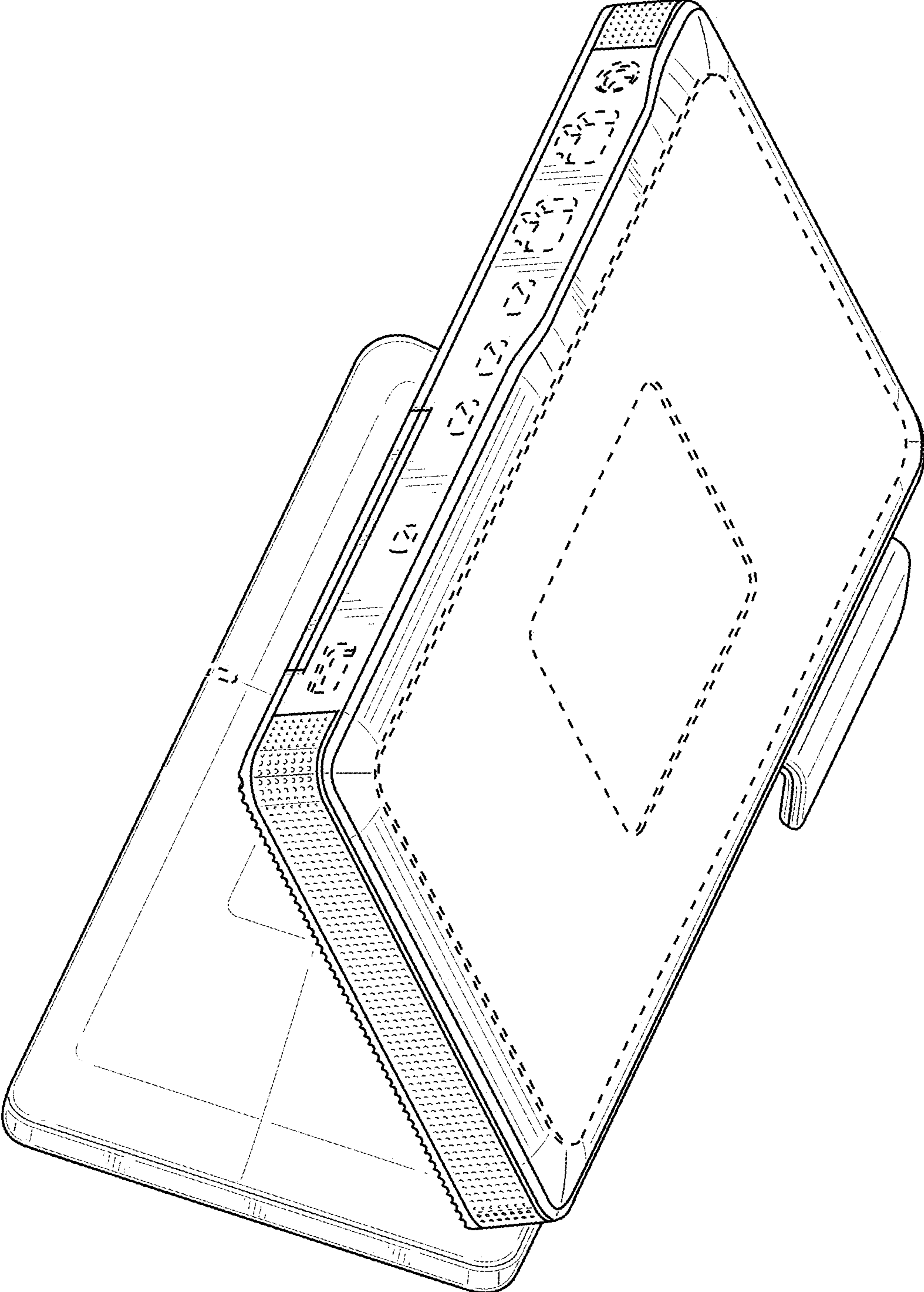


FIG. 2

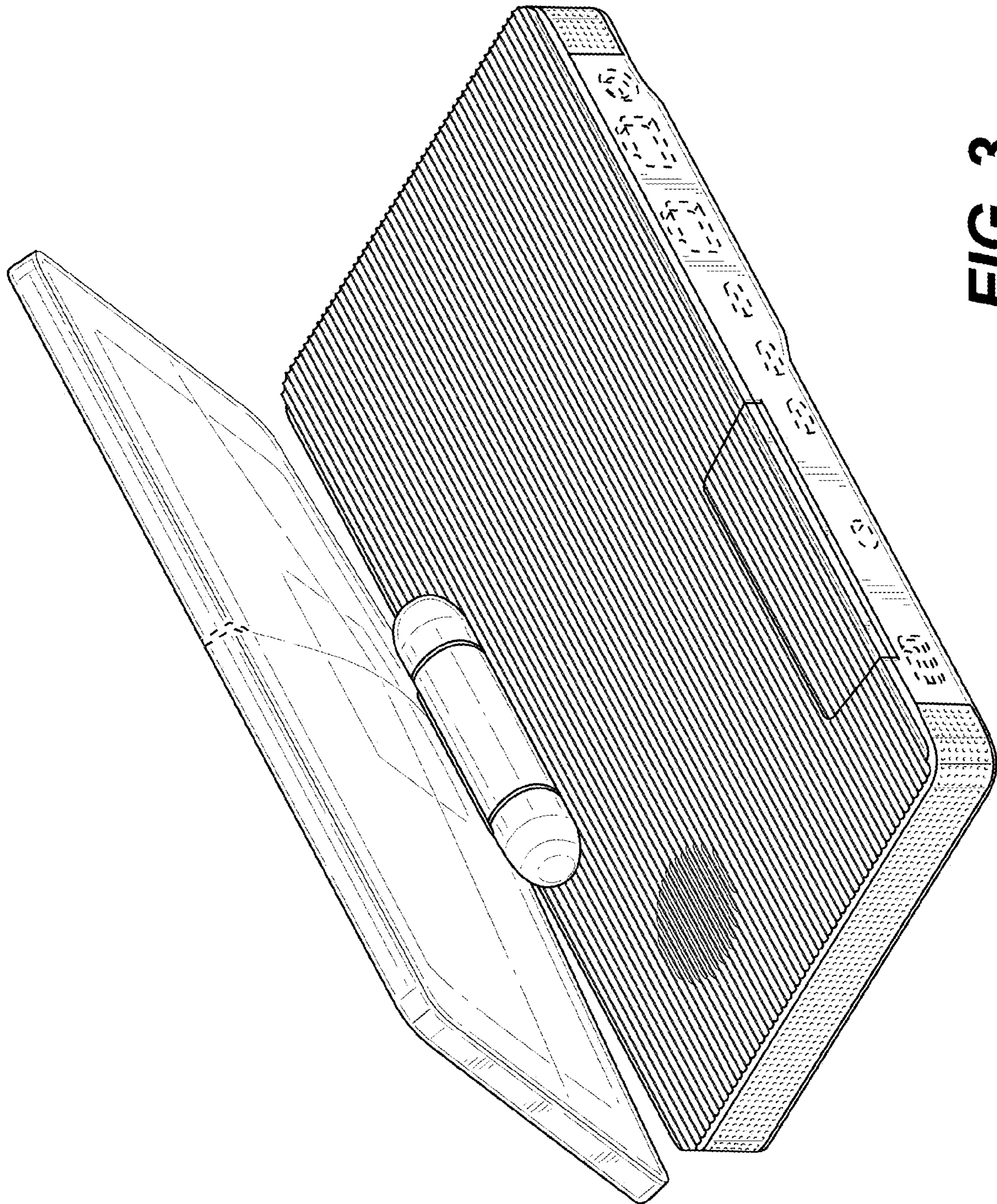


FIG. 3

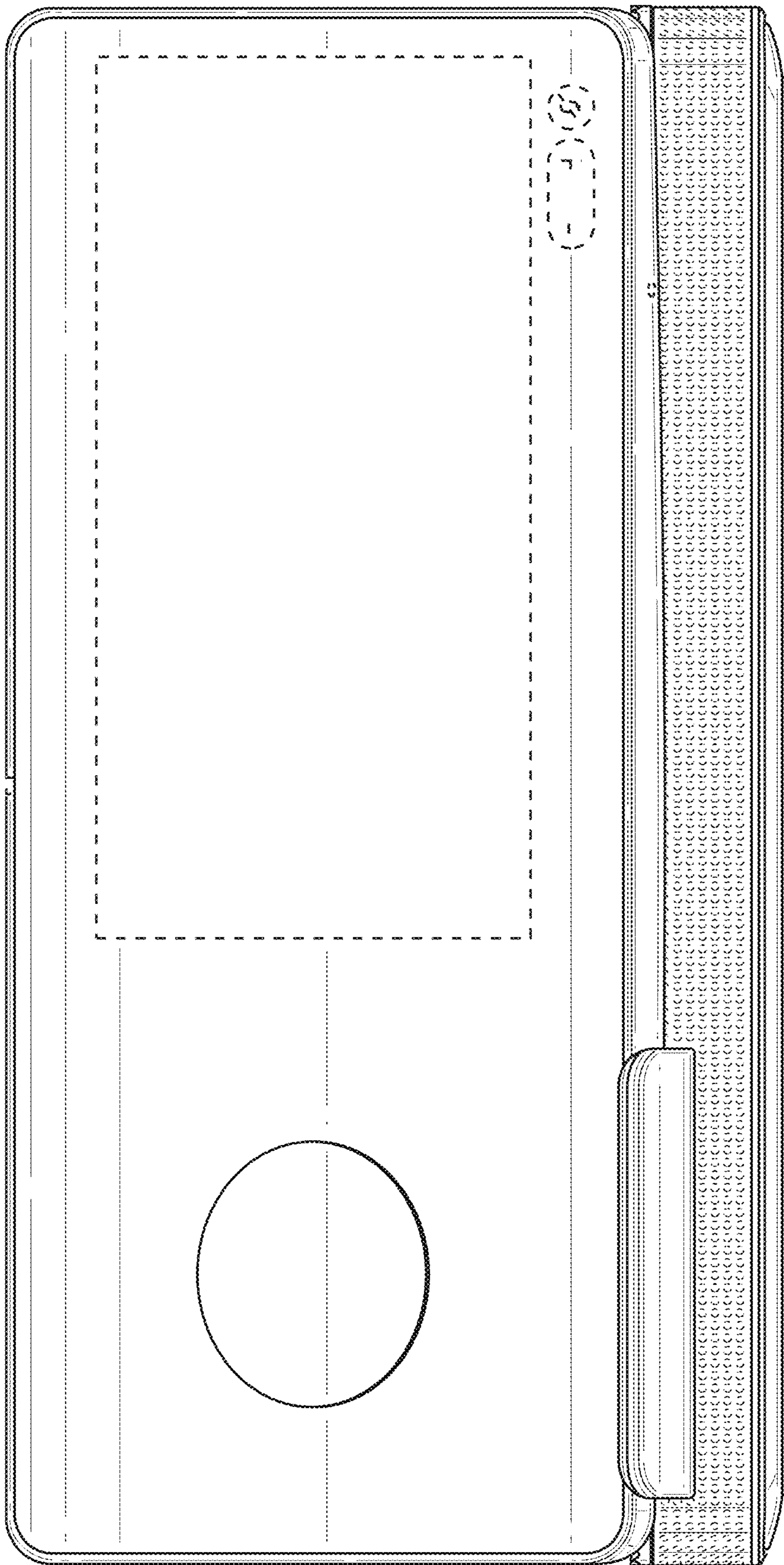


FIG. 4

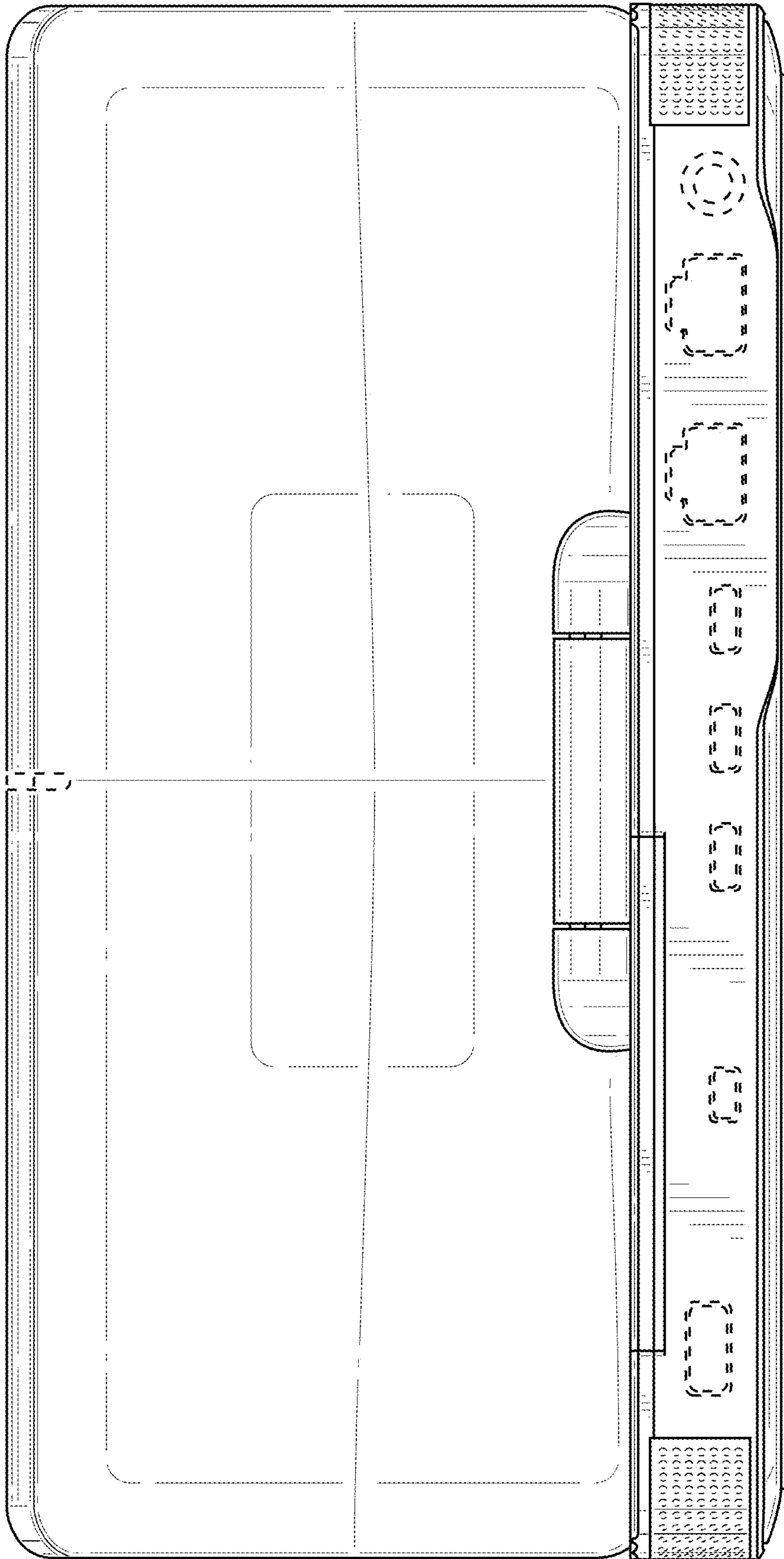


FIG. 5

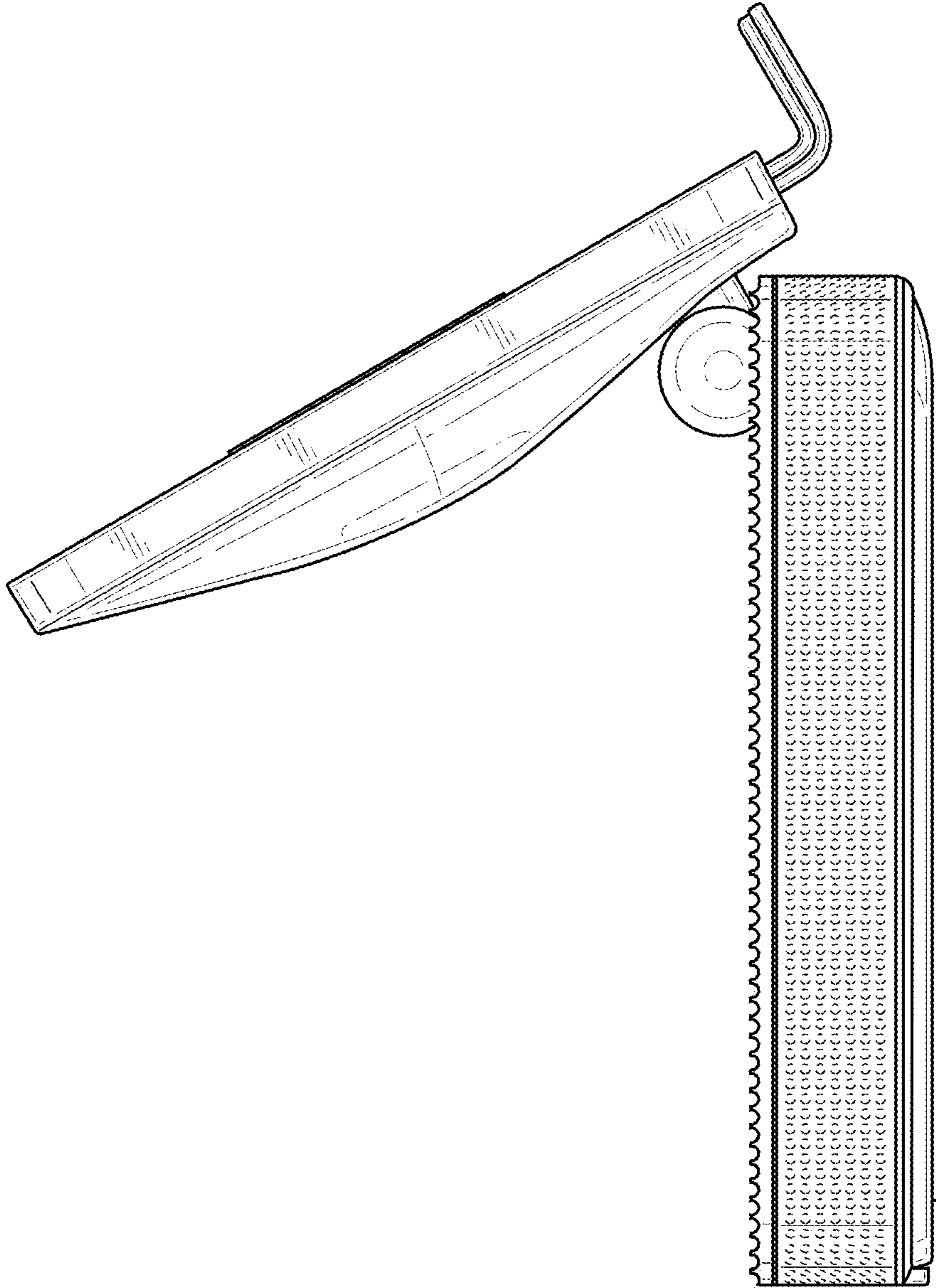


FIG. 6

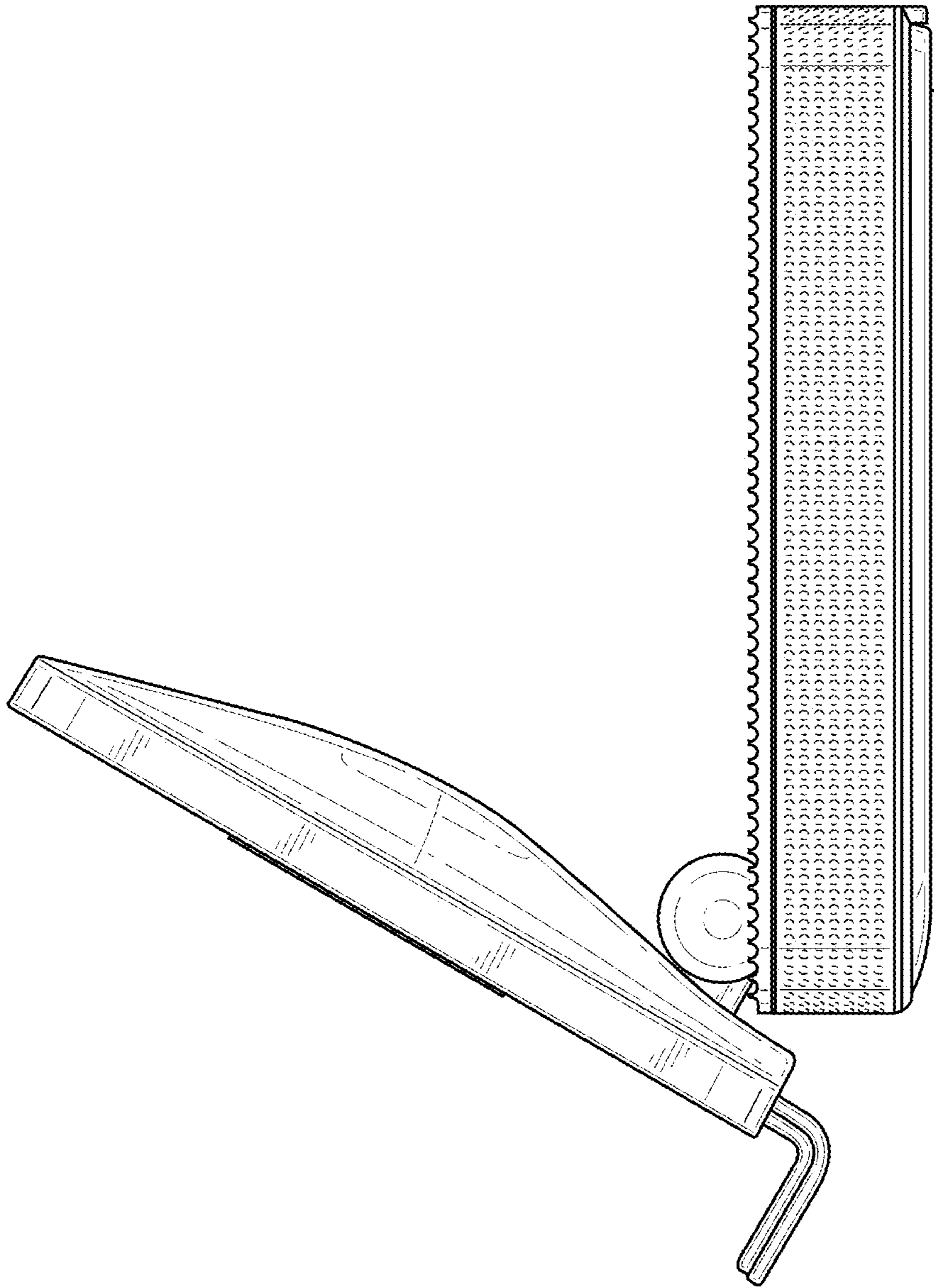


FIG. 7

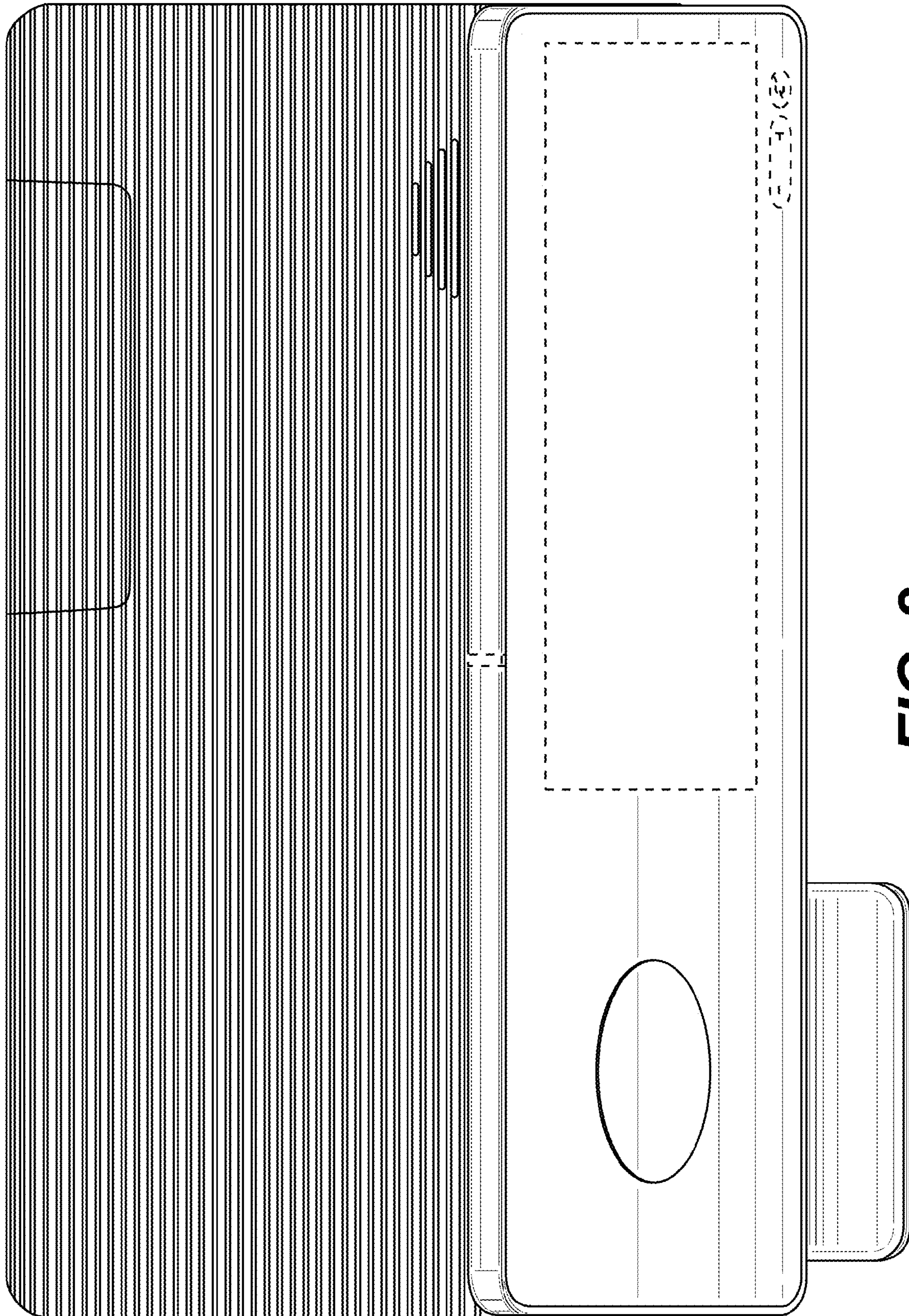


FIG. 8

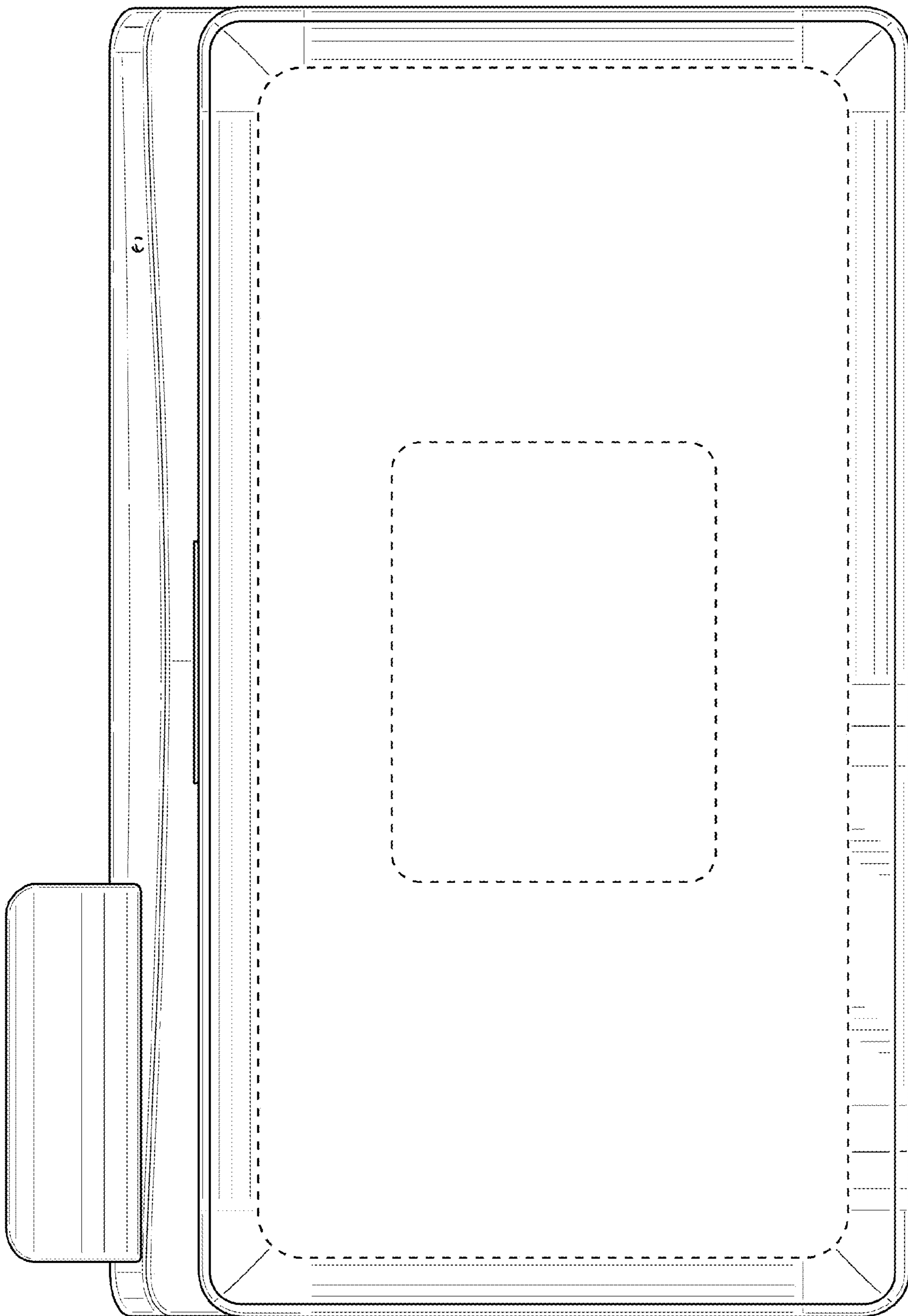


FIG. 9

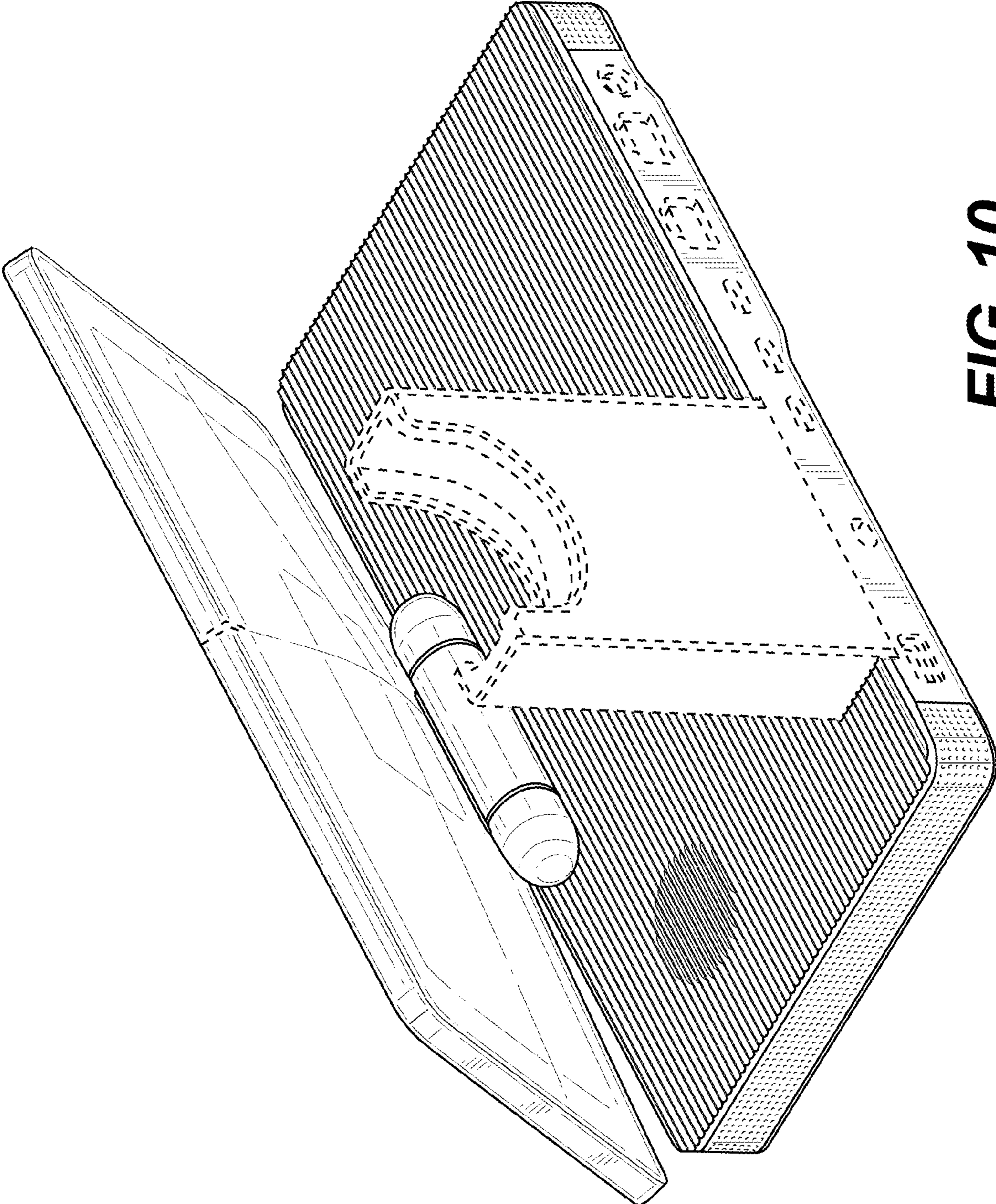


FIG. 10

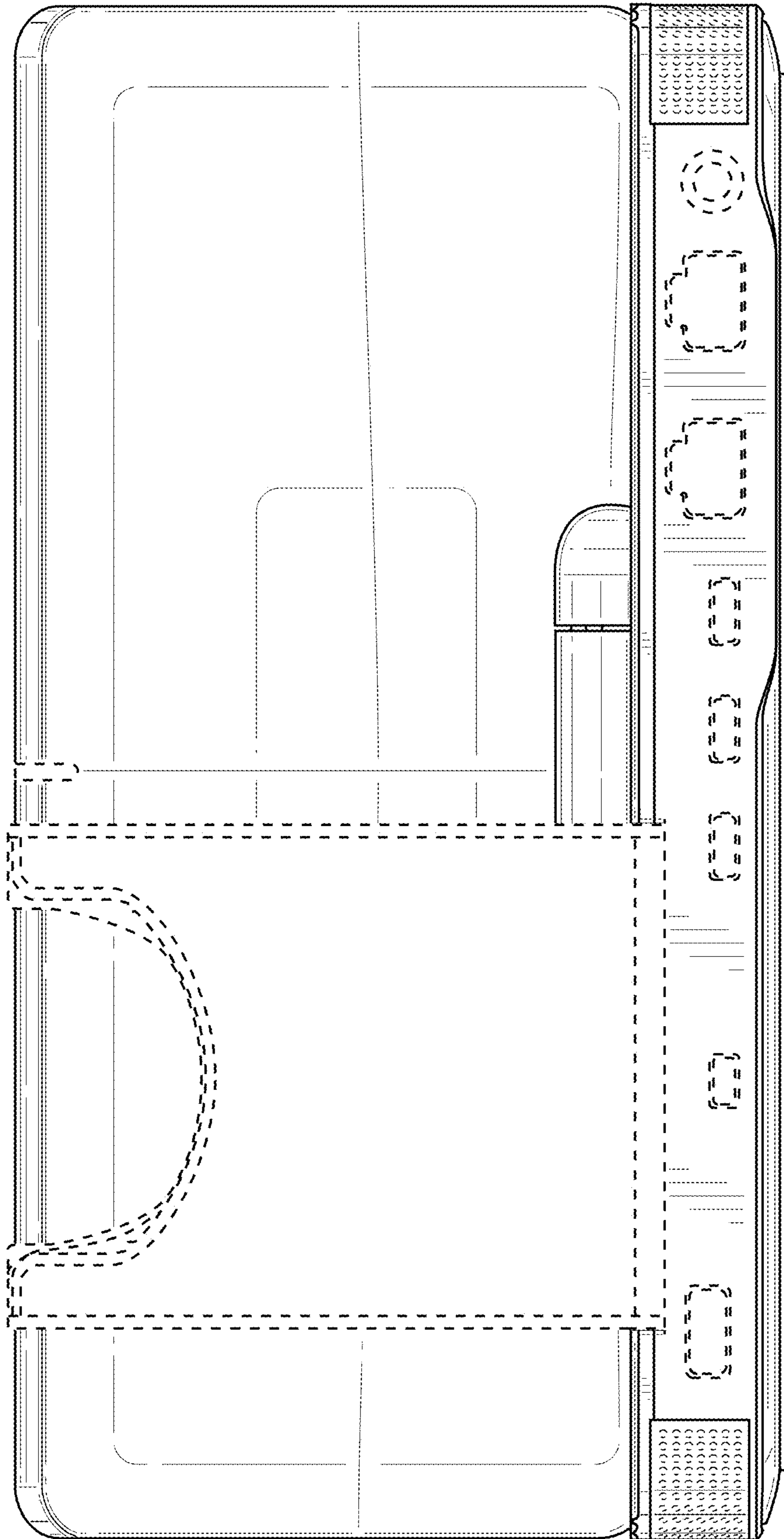


FIG. 11