

US00D962885S

(12) **United States Design Patent** (10) **Patent No.:** **US D962,885 S**
Alcorn et al. (45) **Date of Patent:** **** Sep. 6, 2022**

(54) **DISPLAY**

- (71) Applicant: **Peloton Interactive, Inc.**, New York, NY (US)
- (72) Inventors: **Nigel Alcorn**, Brooklyn, NY (US); **Lee Hendrickson**, Zurich (CH); **Jason Poure**, Croton-on-Hudson, NY (US); **Heidi Serene Farrell**, Brooklyn, NY (US)
- (73) Assignee: **Peloton Interactive, Inc.**, New York, NY (US)

(**) Term: **15 Years**

(21) Appl. No.: **29/749,241**

(22) Filed: **Sep. 3, 2020**

(51) **LOC (13) Cl.** **14-03**

(52) **U.S. Cl.**
USPC **D14/126; D21/646**

(58) **Field of Classification Search**
USPC D14/126, 129, 130, 132, 133, 159, 239, D14/307, 336, 371, 372, 374, 375, 376, D14/383, 448, 451, 496, 388; D20/10, D20/18, 19, 21, 39; D21/696; D13/162
CPC A63B 71/0619; A63B 22/0605; A63B 2071/0658; A63B 2225/09
See application file for complete search history.

(56) **References Cited**

U.S. PATENT DOCUMENTS

D331,435 S *	12/1992	Ueda	D21/696
D454,931 S *	3/2002	Fon	D21/696
D503,402 S *	3/2005	Su	D14/388
D505,676 S *	5/2005	Porter	D14/388
7,044,891 B1 *	5/2006	Rivera	A63B 21/0053 482/8

(Continued)

FOREIGN PATENT DOCUMENTS

JP	D1440163	5/2012	
WO	WO-2019143488 A1 *	7/2019 A63B 22/0023

OTHER PUBLICATIONS

Displays (Design—© Questel) orbit.com. [online PDF of Foreign references] 22 pgs. Print Dates Range Jan. 10, 2020-Jun. 28, 2019, [Retrieved Feb. 10, 2022] <https://www.orbit.com/export/QPTUJ214/pdf2/e2cc55dd-fd00-490d-ab37-493d0854dd17-182932.pdf>.*

Primary Examiner — Marie D. Fast Horse

(74) *Attorney, Agent, or Firm* — Haynes and Boone, LLP

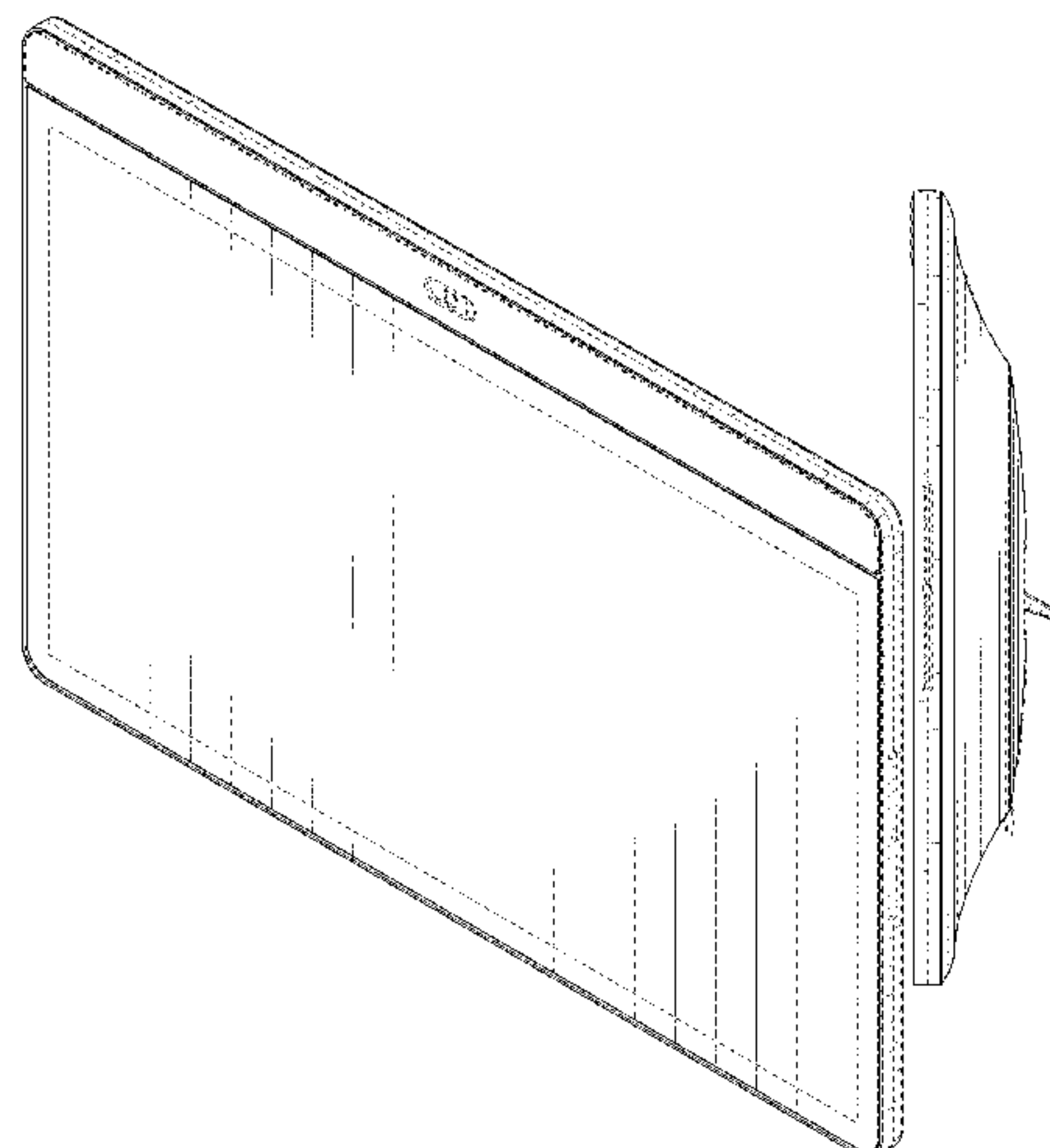
(57) **CLAIM**

The ornamental design for a display, as shown and described.

DESCRIPTION

FIG. 1 is a front, left, and top perspective view of a display embodying the new design;
FIG. 2 is a rear, right, and bottom perspective view thereof;
FIG. 3 is a front elevational view thereof;
FIG. 4 is a rear elevational view thereof;
FIG. 5 is a right side view thereof;
FIG. 6 is a left side view thereof;
FIG. 7 is a top plan view thereof;
FIG. 8 is a bottom plan view thereof;
FIG. 9 is an exploded rear, left, and top perspective view thereof, showing for an embodiment the details of the display underneath the rear panels;
FIG. 10 is a rear, right, and bottom perspective view according to an alternate embodiment, the front of the display being the same as that shown in FIGS. 1 and 3;
FIG. 11 is a rear elevational view thereof;
FIG. 12 is a right side view thereof;
FIG. 13 is a left side view thereof;
FIG. 14 is a top plan view thereof; and,
FIG. 15 is a bottom plan view thereof.
The broken lines in the drawings depict portions of the display that form no part of the claimed design.

1 Claim, 11 Drawing Sheets



(56)

References Cited

U.S. PATENT DOCUMENTS

D531,683 S *	11/2006	Choi	D21/669	D762,644 S *	8/2016	Maffetone	D14/371
D554,640 S *	11/2007	Ponnert	D14/388	D792,362 S *	7/2017	Maxwell	D14/130
D567,315 S *	4/2008	Horita	D21/696	D813,227 S *	3/2018	Lin	D14/341
D569,457 S *	5/2008	Hanoun	D21/696	D814,465 S *	4/2018	Kim	D14/374
D569,925 S *	5/2008	Hanoun	D21/696	D827,644 S *	9/2018	Kim	D14/377
D585,399 S *	1/2009	Hwang	D14/130	D834,979 S *	12/2018	Zhang	D14/488
D589,961 S *	4/2009	Hackenberg	D14/388	D837,173 S *	1/2019	Lyngra	D14/126
D591,368 S *	4/2009	Olason	D21/696	D844,012 S *	3/2019	Leipold	G02B 7/00 D14/450
D596,597 S *	7/2009	Yu	D14/130	D850,396 S *	6/2019	Izadyar	D14/129
D601,644 S *	10/2009	Kim	D21/696	D852,292 S *	6/2019	Cutler	D21/669
D609,350 S *	2/2010	Hickey	D24/186	D854,101 S *	7/2019	Kruse et al.	
D618,192 S *	6/2010	Huang	D14/130	D864,194 S *	10/2019	Perry	D14/336
D623,619 S *	9/2010	Roed	D14/126	D864,320 S *	10/2019	Weston	D21/696
D624,975 S *	10/2010	Flick	D21/669	D864,321 S *	10/2019	Weston	D21/696
D638,015 S *	5/2011	Chong	D14/383	D873,262 S *	1/2020	Fernando	D14/307
D639,266 S *	6/2011	DeLorenzo	D14/142	D877,146 S *	3/2020	Turgel	D14/371
D639,267 S *	6/2011	DeLorenzo	D14/142	D882,528 S *	4/2020	Fariello	D13/162
D646,258 S *	10/2011	Van Der Flier	D14/142	D912,049 S *	3/2021	Zhang	D14/375
D653,251 S *	1/2012	Leung	D14/341	D927,616 S *	8/2021	Horita	D21/696
D662,094 S *	6/2012	Mack	D14/371	D928,257 S *	8/2021	Horita	D21/696
D663,367 S *	7/2012	Olason	D21/696	D938,378 S *	12/2021	Andresen	D14/130
D667,413 S *	9/2012	Song	D14/448	D938,379 S *	12/2021	Andresen	D14/130
D709,497 S *	7/2014	Akutsu	D14/371	11,219,799 B2 *	1/2022	Poure	A63B 71/0616
D715,290 S *	10/2014	Bryan	D14/341	2018/0126223 A1 *	5/2018	Foley	A63F 13/798
D715,291 S *	10/2014	Cacioppo	D14/341	2020/0368574 A1 *	11/2020	Bissonnette	A63B 22/0012
D727,271 S *	4/2015	Shi	D13/162	2021/0093921 A1 *	4/2021	Foley	A63B 22/025
D729,793 S *	5/2015	Hickok	D14/371	2021/0170222 A1 *	6/2021	Consiglio	A63B 22/025
D752,035 S *	3/2016	Akana	D14/374	2021/0339079 A1 *	11/2021	Dalebout	A63B 22/0023
D756,322 S *	5/2016	Østensen	D14/126	2022/0008804 A1 *	1/2022	Gibson	A63B 22/0605
D761,741 S *	7/2016	Santiago	D13/162	2022/0016511 A1 *	1/2022	Roza	A63B 71/0622
				2022/0062736 A1 *	3/2022	Farrell	F16M 11/10

* cited by examiner

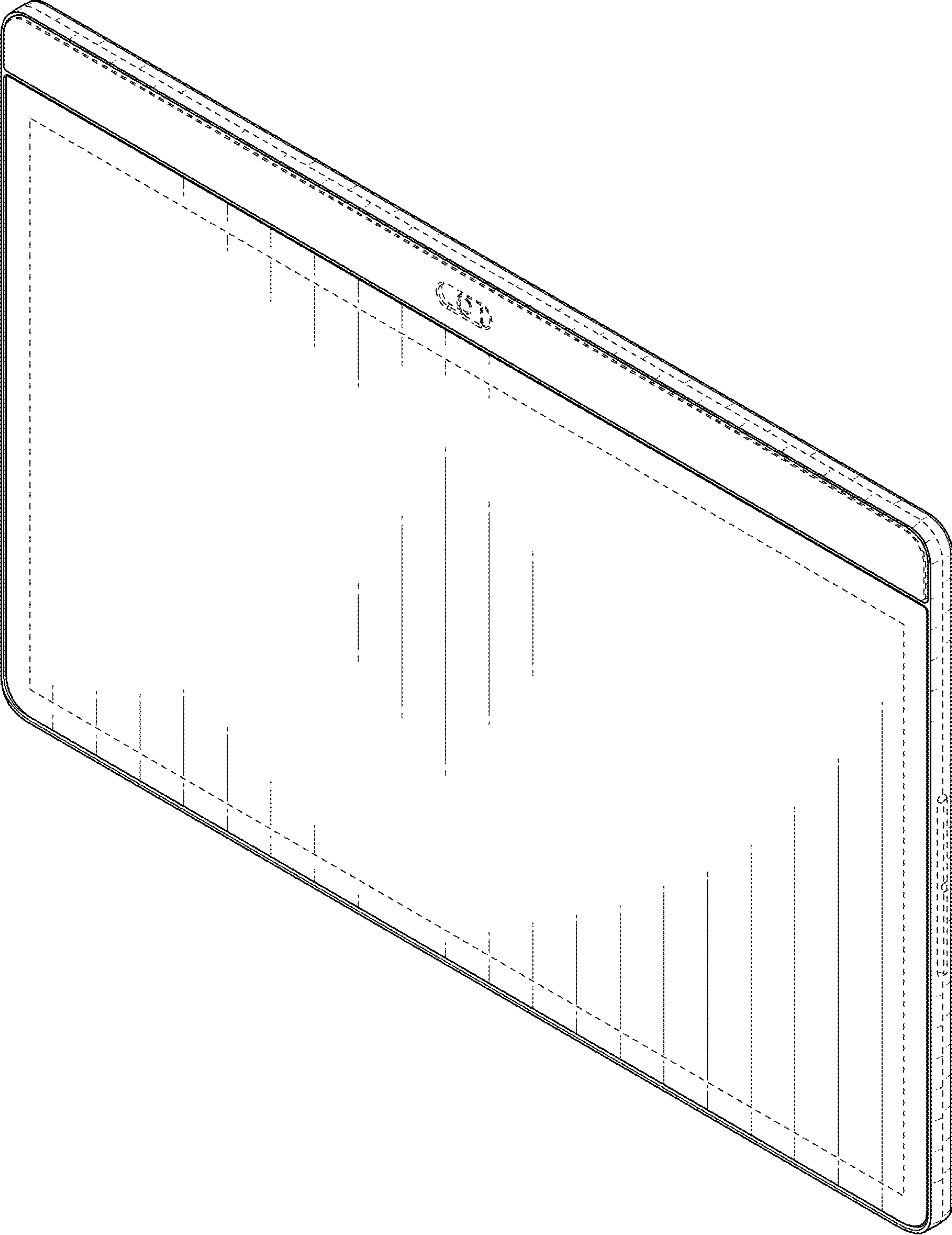


FIG. 1

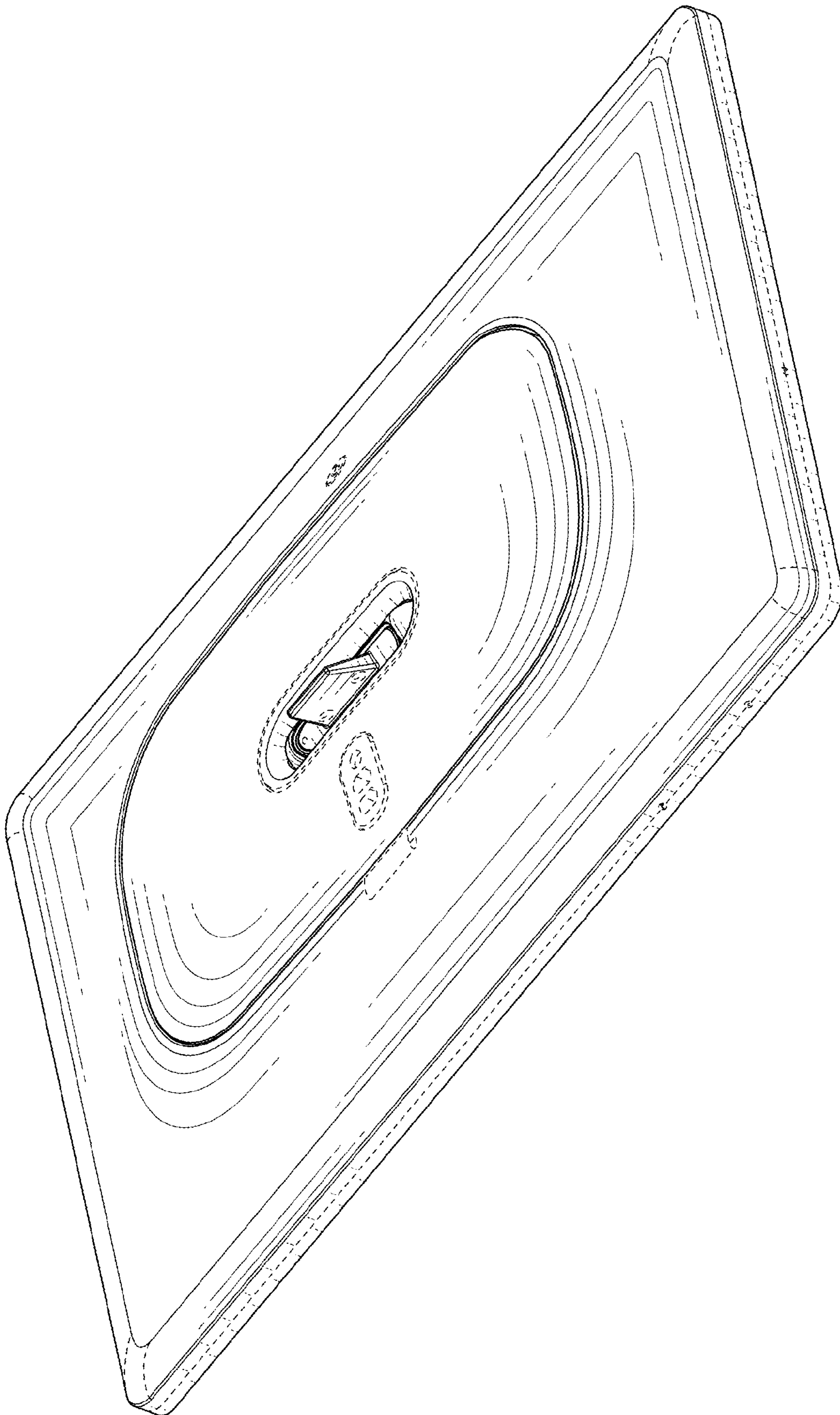


FIG. 2

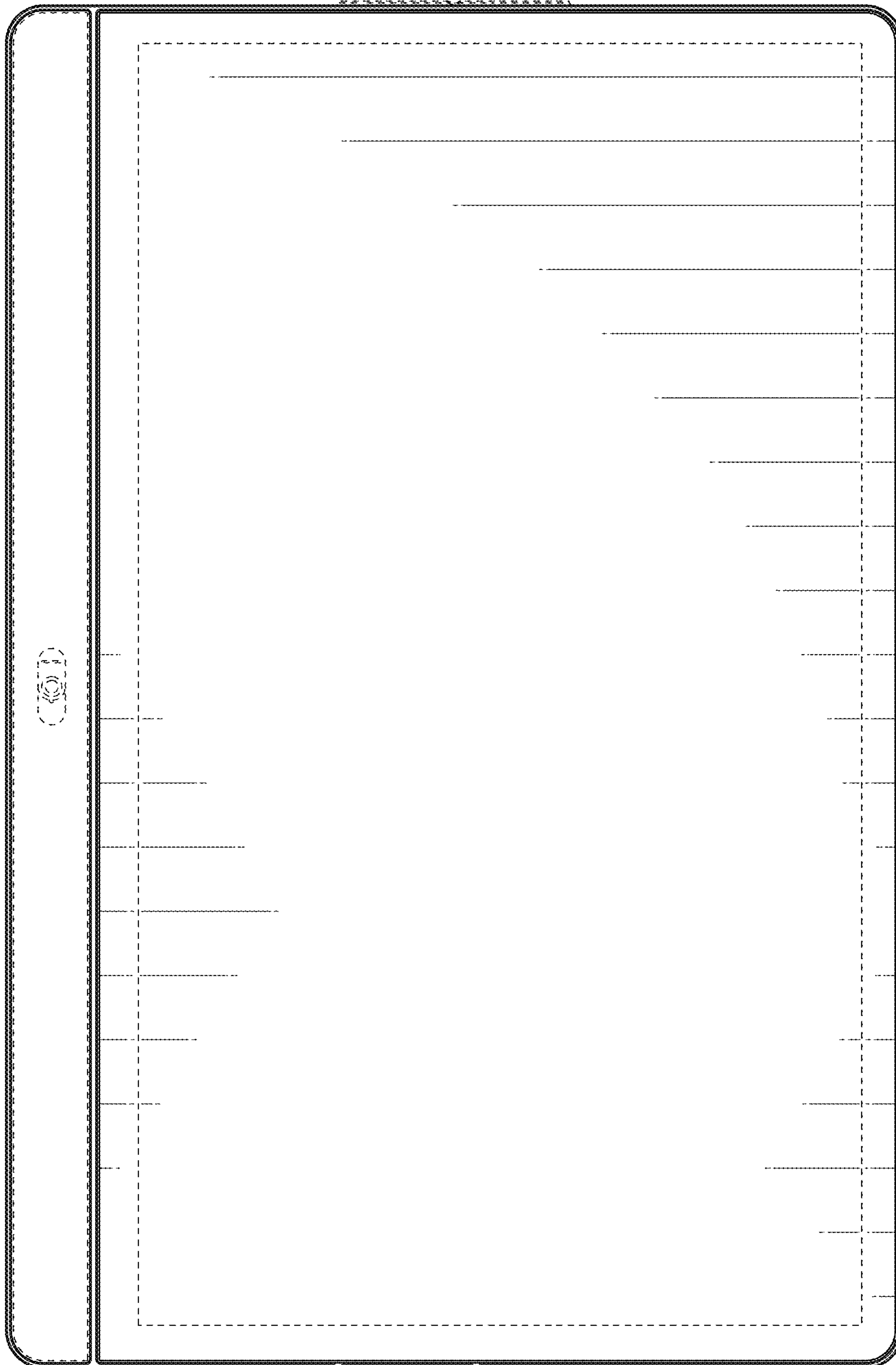


FIG. 3

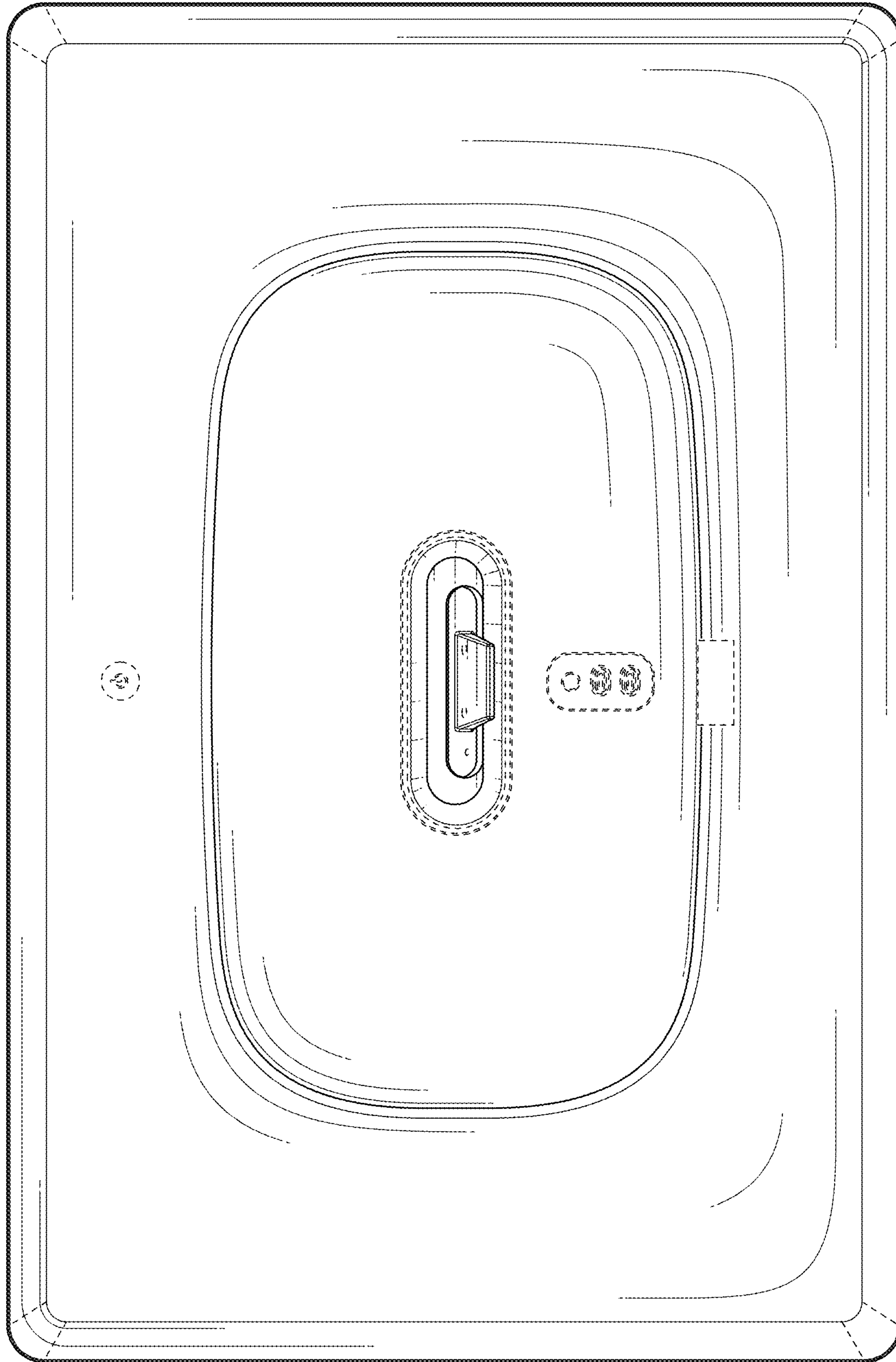


FIG. 4

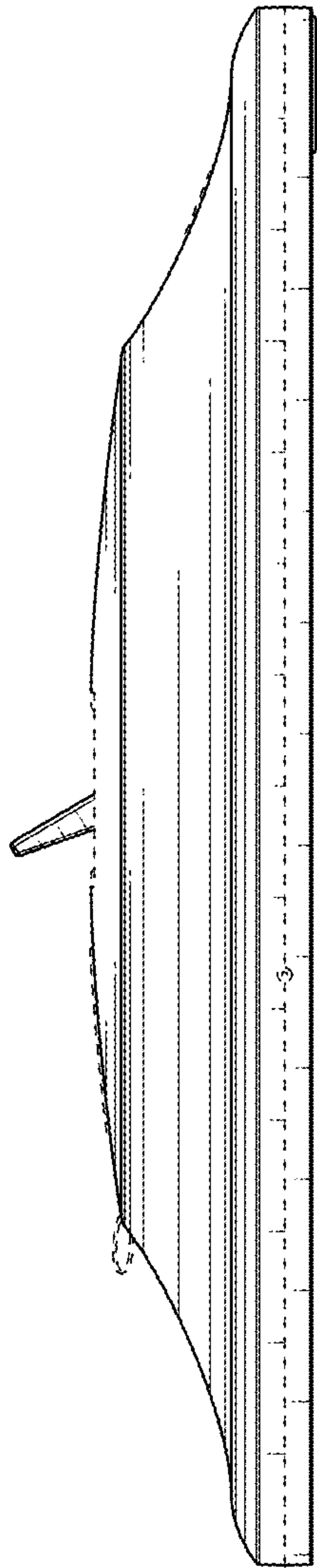


FIG. 5

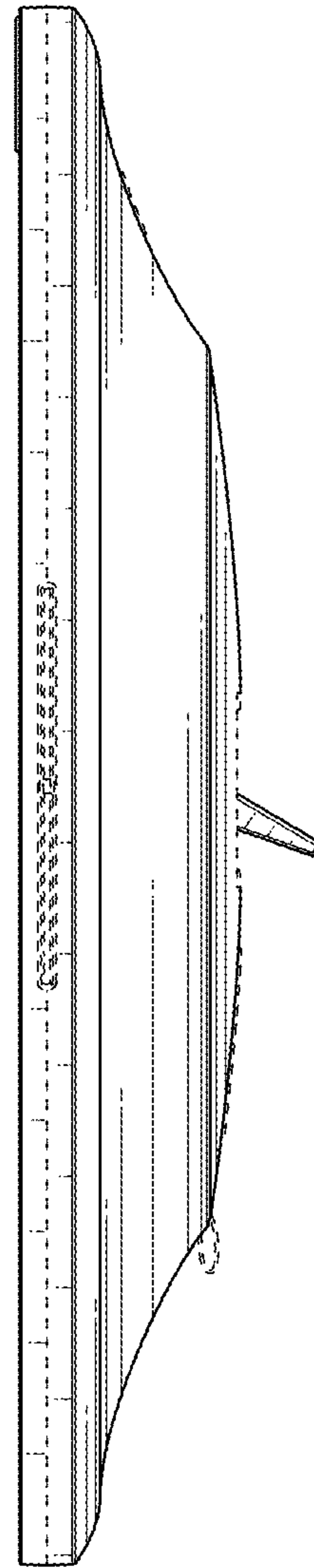


FIG. 6

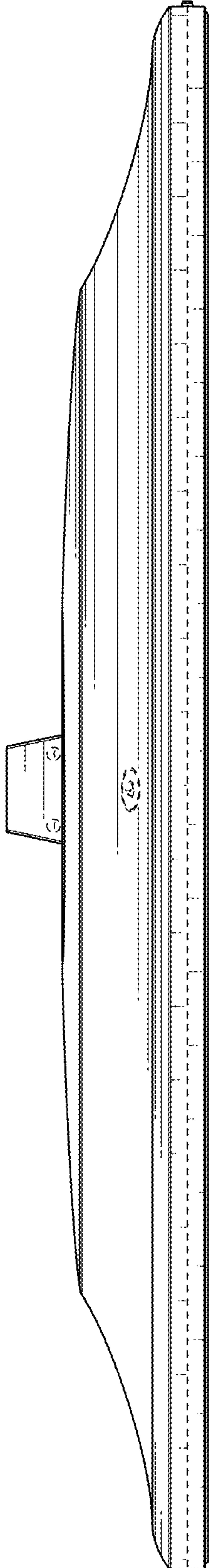


FIG. 7

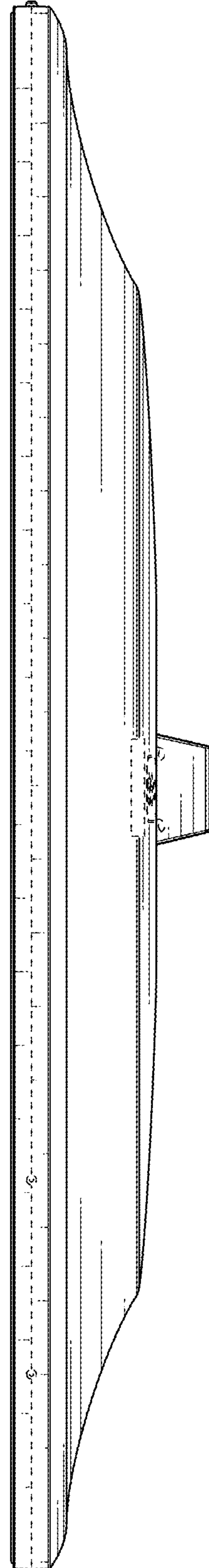


FIG. 8

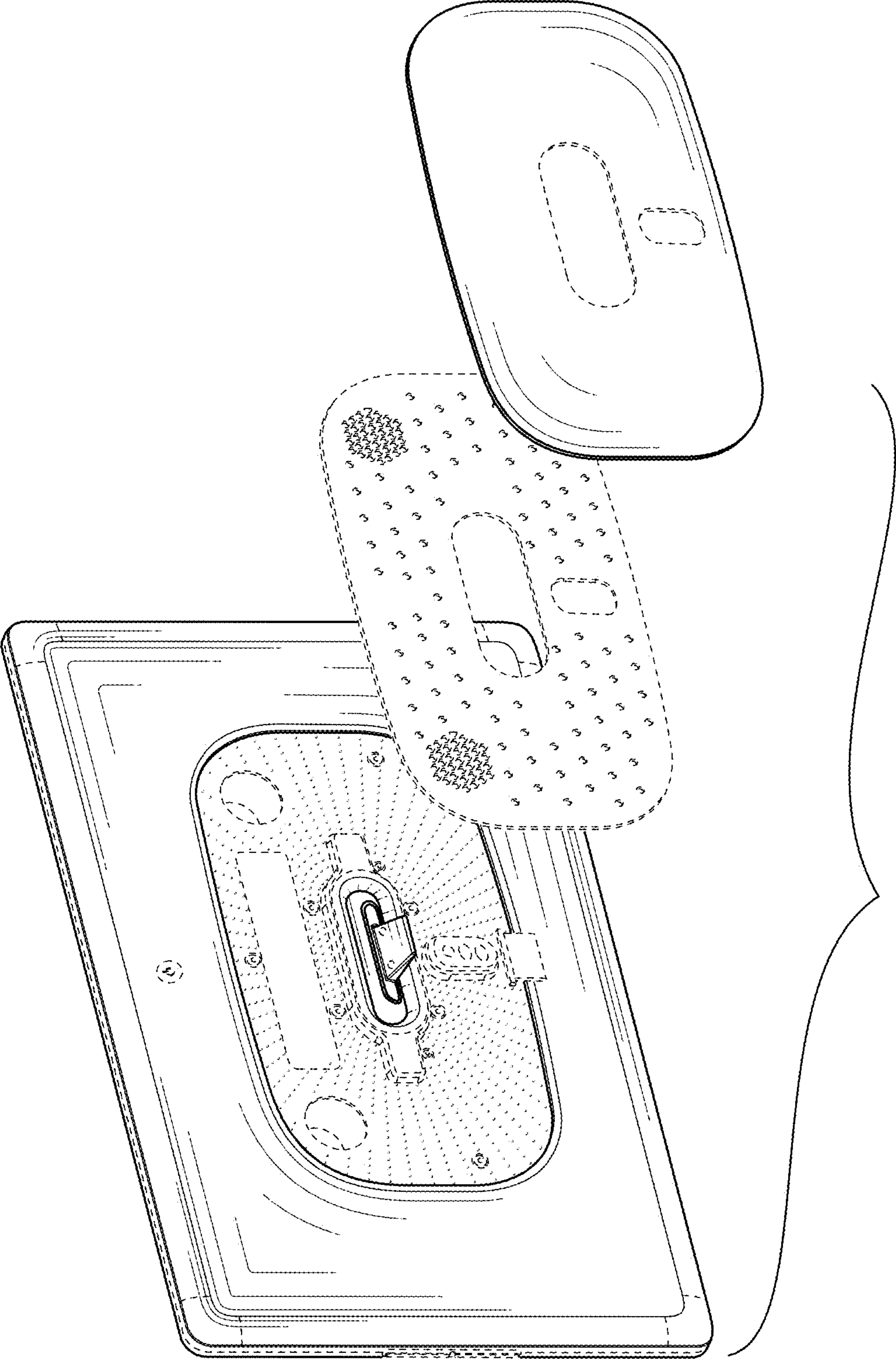


FIG. 9

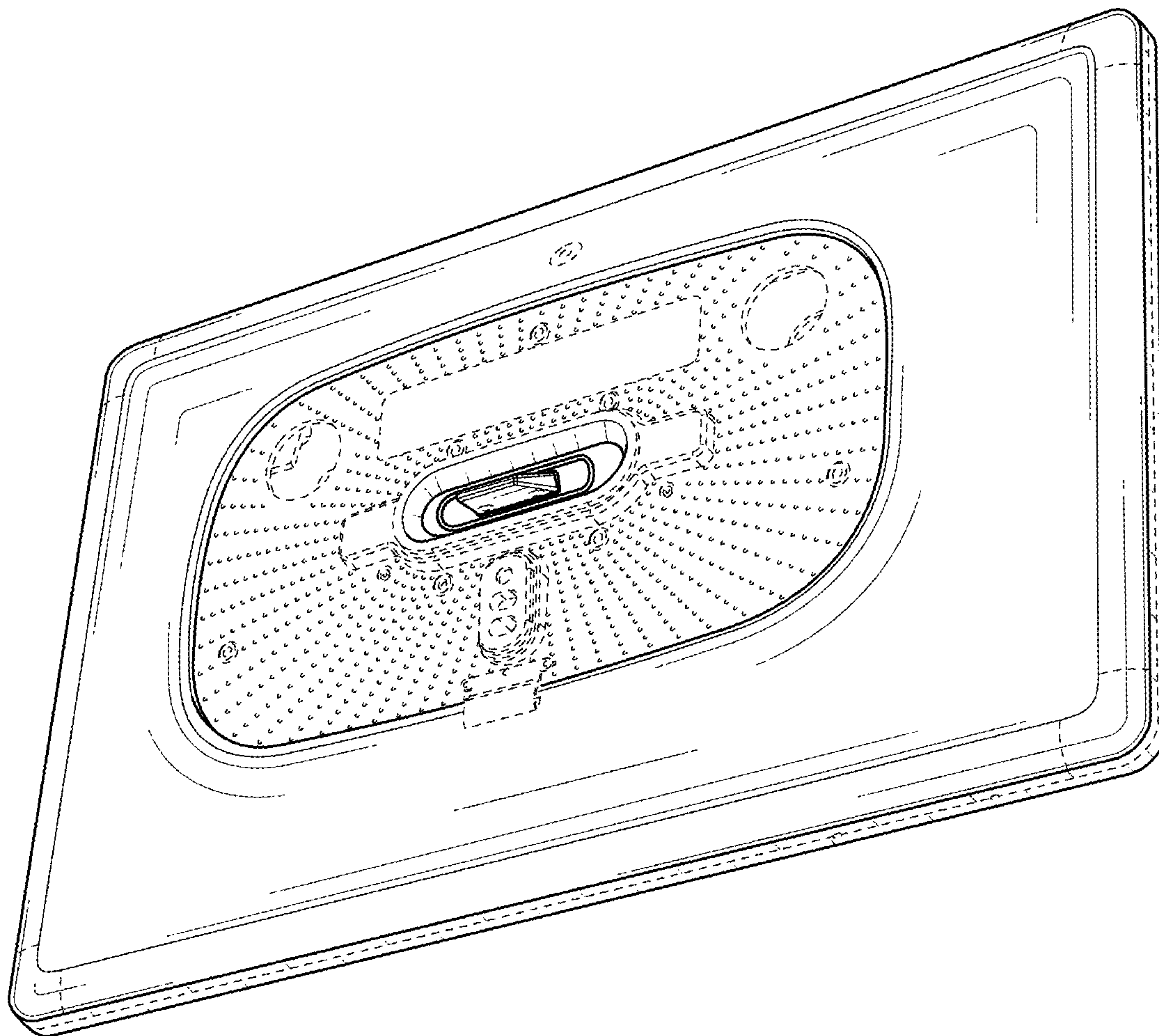


FIG. 10

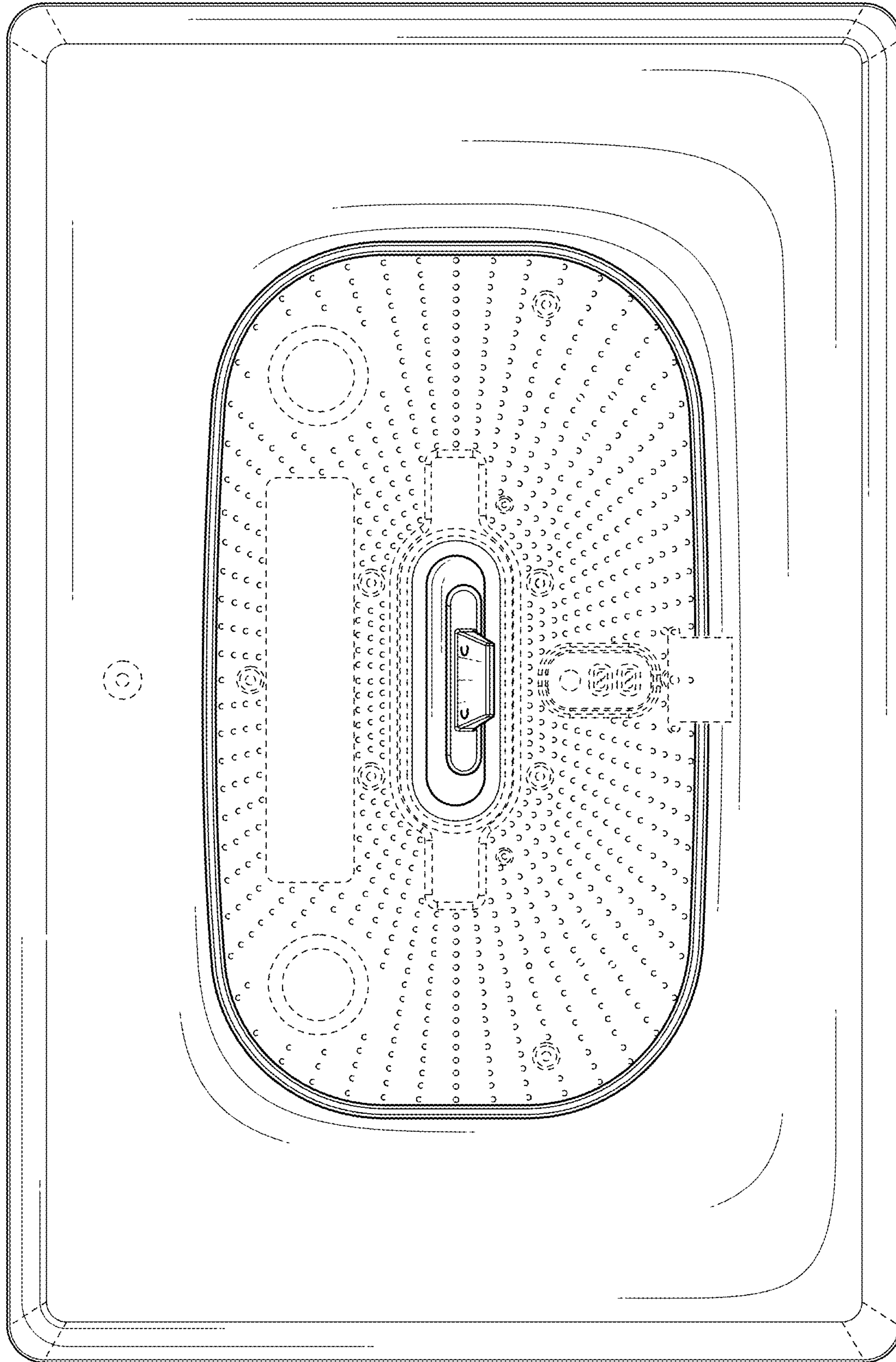


FIG. 11

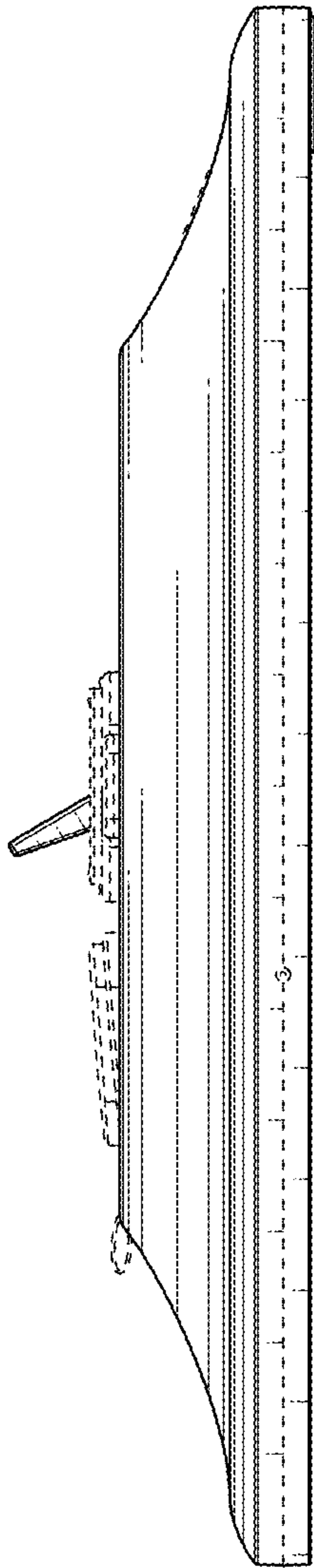


FIG. 12

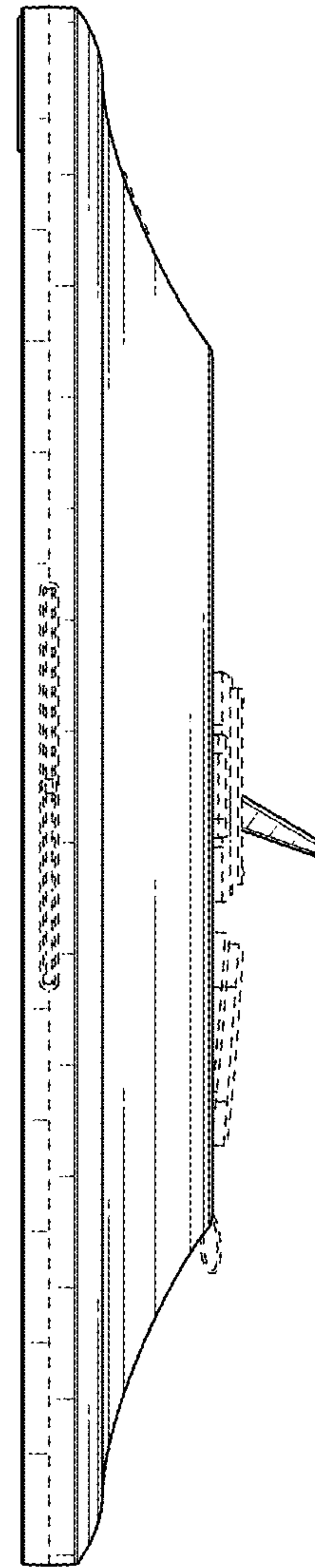


FIG. 13

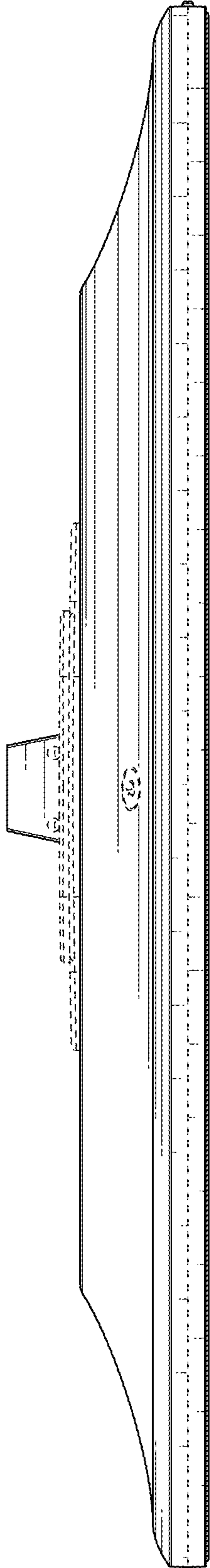


FIG. 14

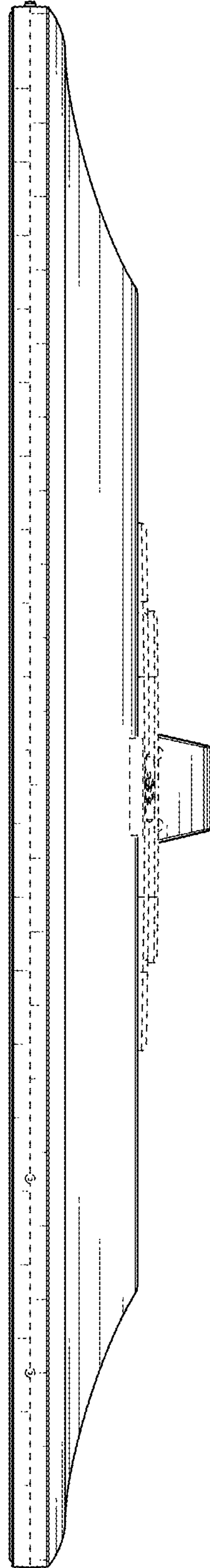


FIG. 15