



US00D962884S

(12) **United States Design Patent**
Lee et al.

(10) **Patent No.:** **US D962,884 S**
(45) **Date of Patent:** **** Sep. 6, 2022**

(54) **TELEVISION RECEIVER**

(71) Applicant: **Samsung Electronics Co., Ltd.**,
Suwon-si (KR)

(72) Inventors: **Seung-Ho Lee**, Suwon-si (KR);
Jang-Ho Kim, Suwon-si (KR);
Jae-Wook Yoo, Suwon-si (KR)

(73) Assignee: **SAMSUNG ELECTRONICS CO., LTD.**,
Suwon-si (KR)

(**) Term: **15 Years**

(21) Appl. No.: **29/724,052**

(22) Filed: **Feb. 12, 2020**

(30) **Foreign Application Priority Data**

Aug. 30, 2019 (KR) 30-2019-0041773

(51) **LOC (13) Cl.** **14-03**

(52) **U.S. Cl.**
USPC **D14/126**

(58) **Field of Classification Search**

USPC D14/125, 126, 127-137, 163, 172, 188,
D14/204, 205, 206, 210, 214, 219, 239,
D14/240, 257, 258, 305, 307, 314-316,
D14/335, 336, 340, 371-377, 447,
D14/448-451; D20/10, 17, 18, 19, 21,
D20/27, 39, 41, 42, 99; D21/329, 332,
D21/515; D6/300, 308, 309, 553, 574;
D10/15, 70; D18/4.4; D16/135; D15/89
CPC A47B 47/042; F16M 11/10; G02B 25/002;
G02B 6/0068; G06F 1/16; G06F 1/1601;
G06F 1/1637; G06F 1/1643; H04N 5/64;
H04N 5/66; H04N 5/655; H04N 7/00;
H04N 9/3141; H04N 13/0459

See application file for complete search history.

(56) **References Cited**

U.S. PATENT DOCUMENTS

D158,618 S * 5/1950 Schladermundt et al. .. D14/126
D306,582 S * 3/1990 Miyahara D14/126

D400,524 S * 11/1998 Takami D14/126
D725,059 S * 3/2015 Kim D14/126
D758,982 S * 6/2016 Moon D14/126
D763,212 S * 8/2016 Moon D14/126
D769,203 S * 10/2016 Ann D14/126

(Continued)

FOREIGN PATENT DOCUMENTS

CN 303585529 2/2016
EM 000661418-0006 12/2007

(Continued)

Primary Examiner — Ramzi Almatrahi

(74) *Attorney, Agent, or Firm* — McAndrews Held &
Malloy, Ltd.

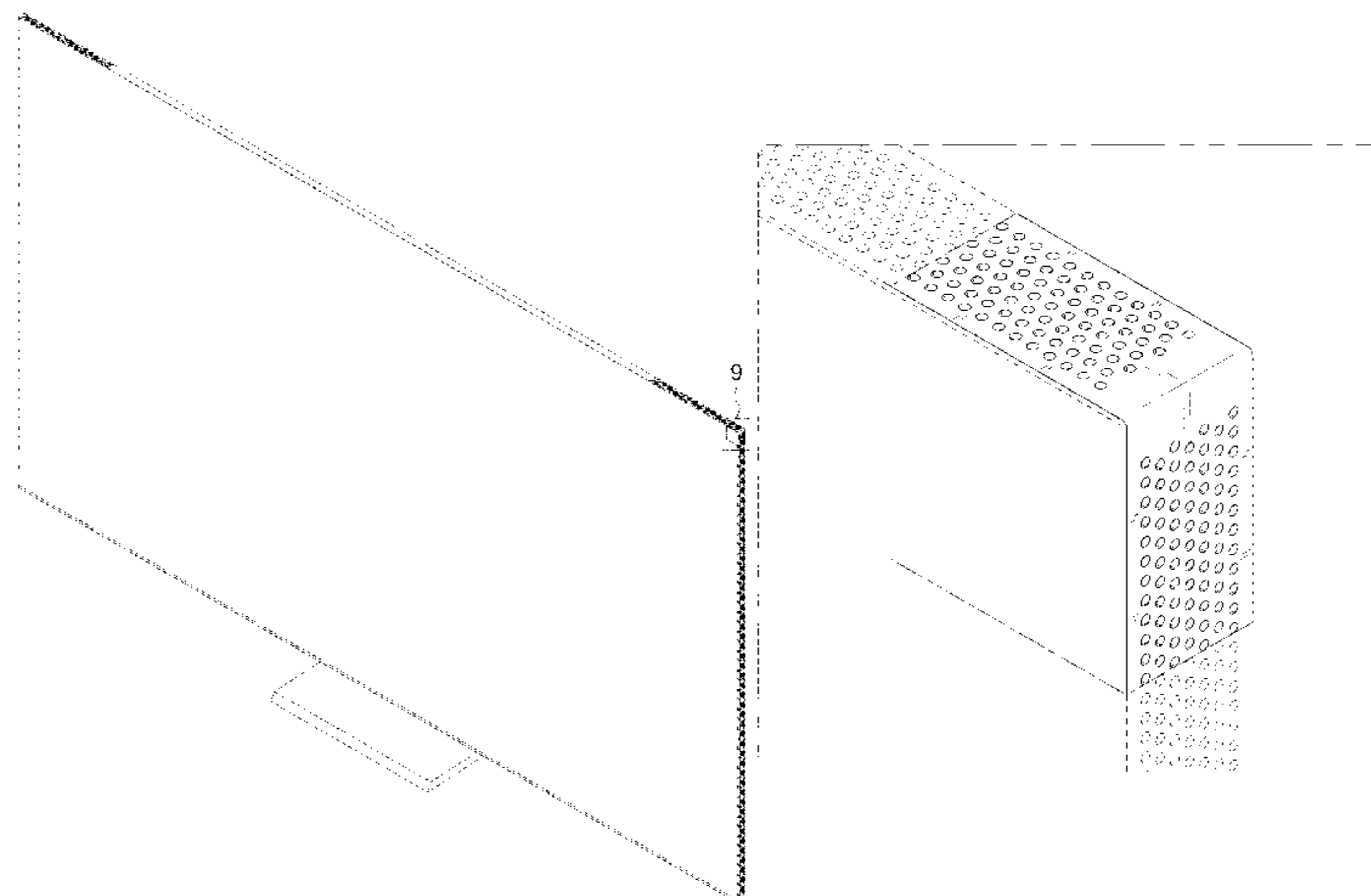
(57) **CLAIM**

The ornamental design for a television receiver, as shown
and described.

DESCRIPTION

FIG. 1 is a front perspective view of a television receiver
showing our new design;
FIG. 2 is a front elevation view thereof;
FIG. 3 is a rear elevation view thereof;
FIG. 4 is a left side elevation view thereof;
FIG. 5 is a right side elevation view thereof;
FIG. 6 is a top plan view thereof;
FIG. 7 is a bottom plan view thereof;
FIG. 8 is a rear perspective view thereof; and,
FIG. 9 is an enlarged view of portion 9 shown in FIG. 1.
The broken lines in the drawings illustrate portions of the
television receiver that form no part of the claimed design.
The dot-dash lines denote the boundary of the claim and
form no part of the claimed design. The dot-dot-dash broken
lines encircling an enlargement portion of the design forms
no part of the claimed design.

1 Claim, 9 Drawing Sheets



(56)

References Cited

U.S. PATENT DOCUMENTS

D812,027 S *	3/2018	Debaigue	D14/126
D827,600 S *	9/2018	Lammens	D14/126
D827,601 S *	9/2018	Kim	D14/126
D849,702 S *	5/2019	Lee	D14/126
D894,138 S *	8/2020	Seflic	D14/125
D905,649 S *	12/2020	Kim	D14/126

FOREIGN PATENT DOCUMENTS

EM	001905902-0004	3/2012
KR	300603905	7/2011
KR	300944862	2/2018

* cited by examiner

FIG. 1

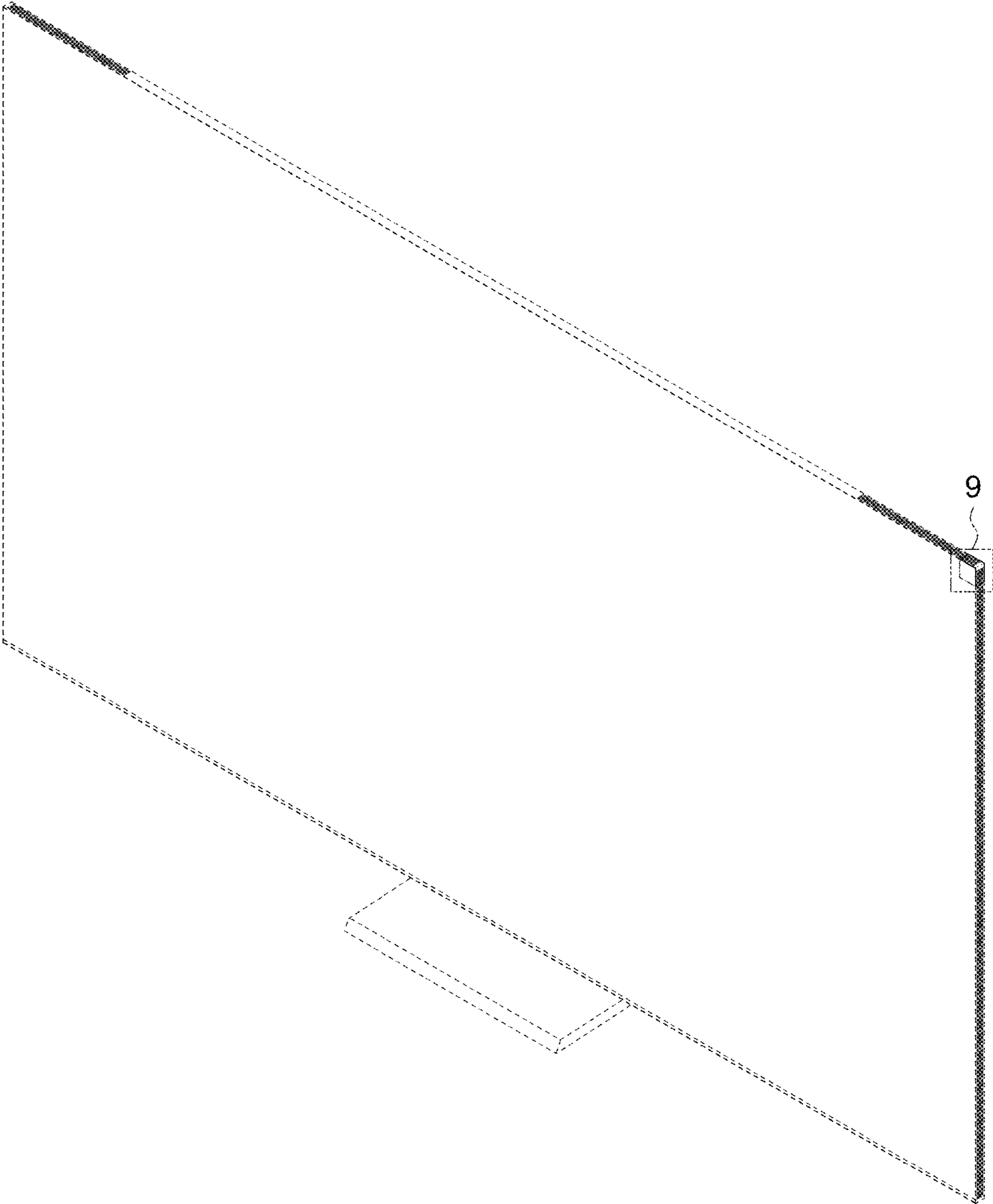


FIG. 2

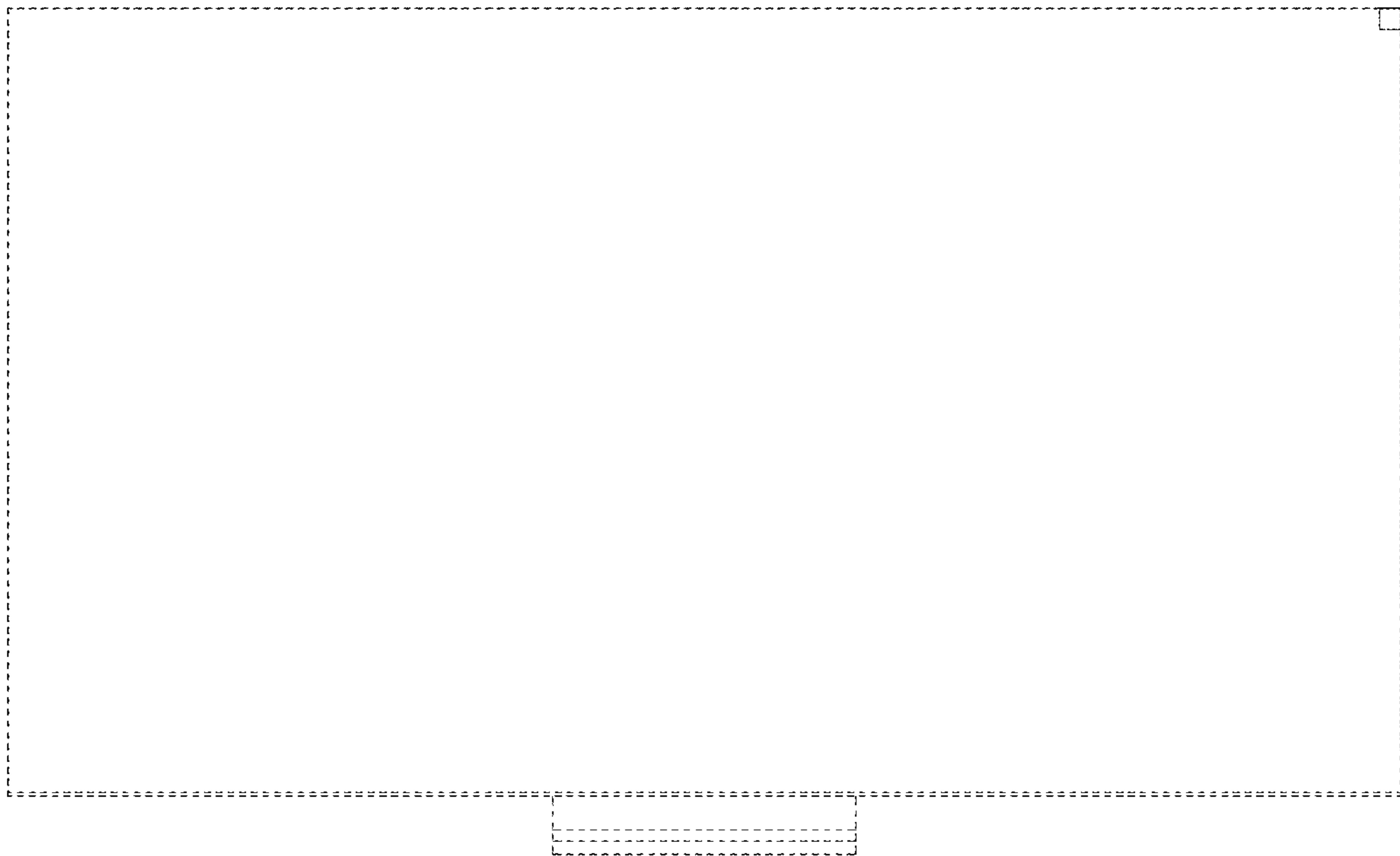


FIG. 3

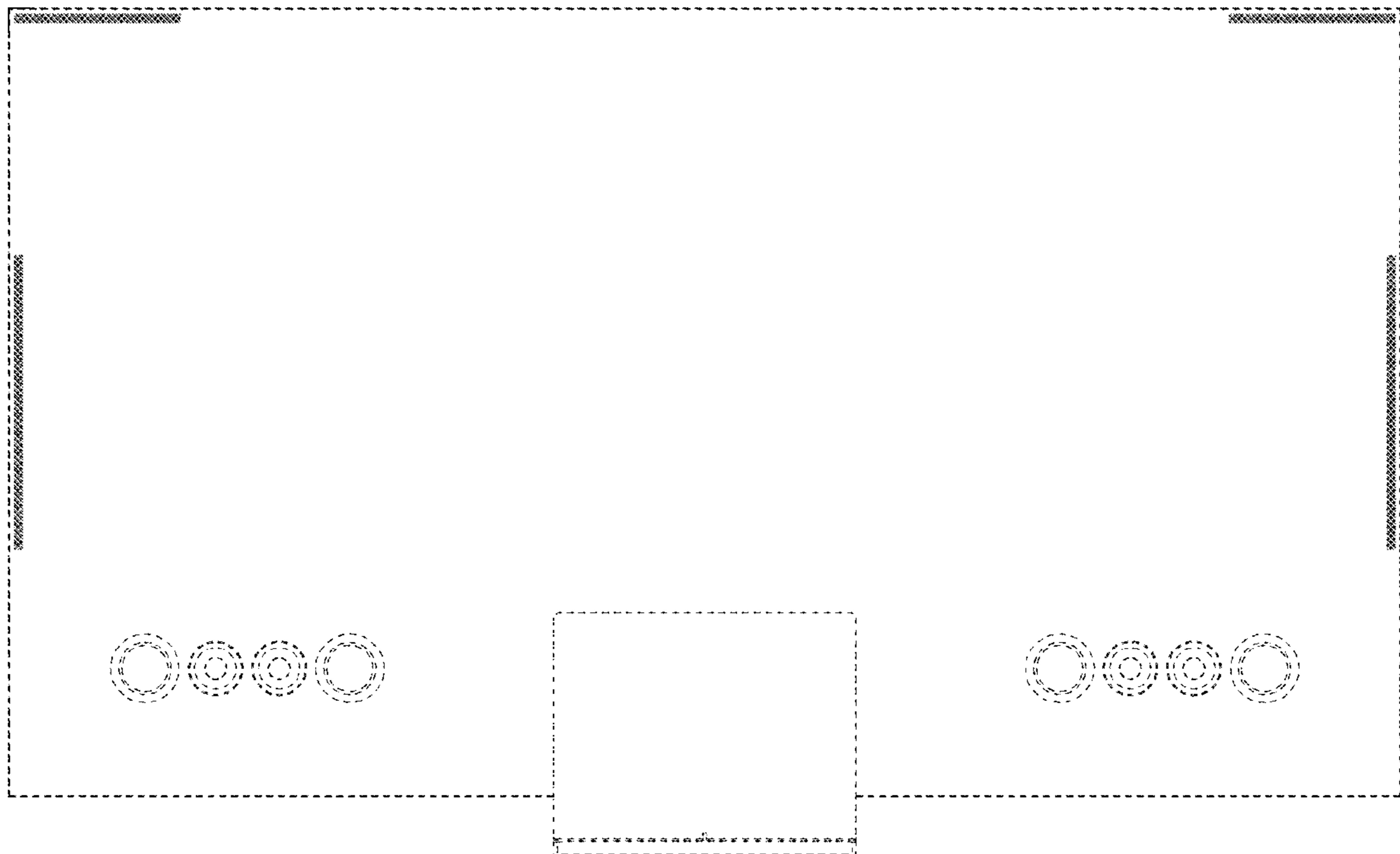


FIG. 4

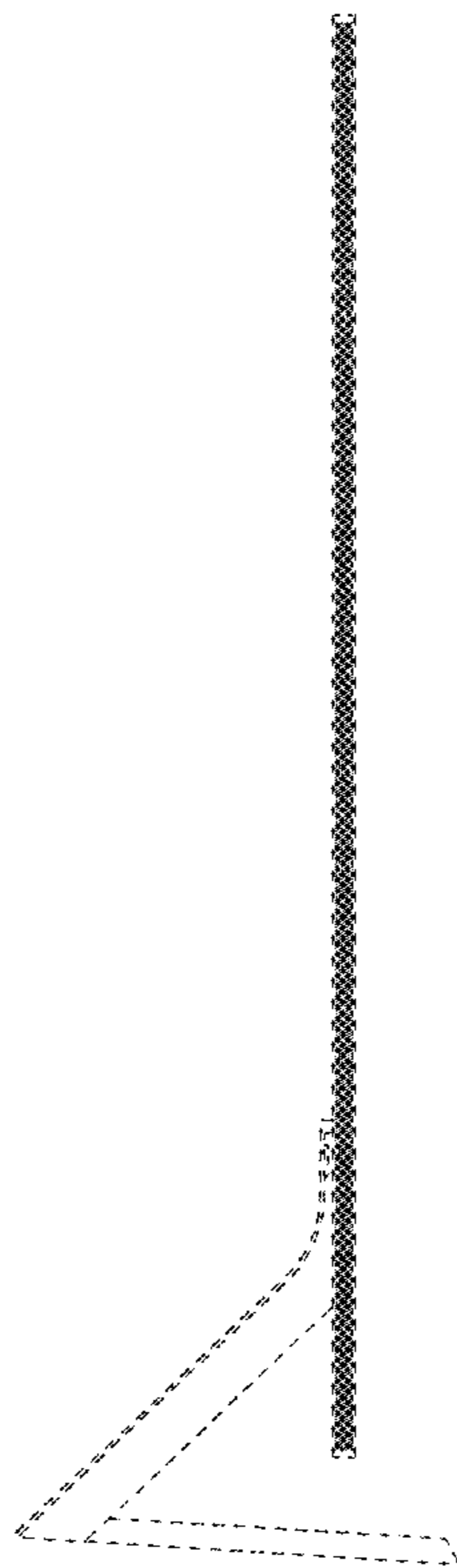


FIG. 5

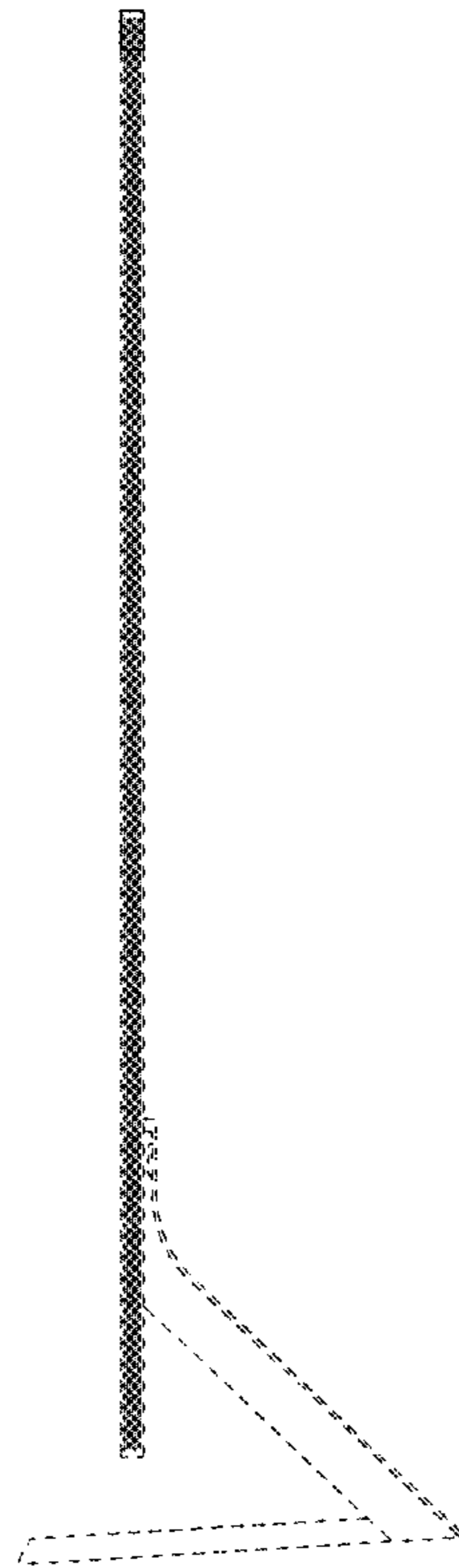


FIG. 6

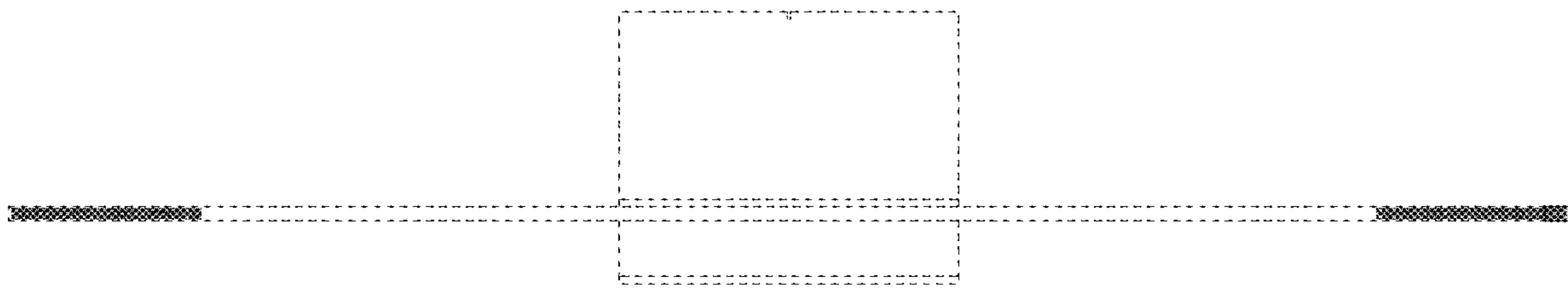


FIG. 7

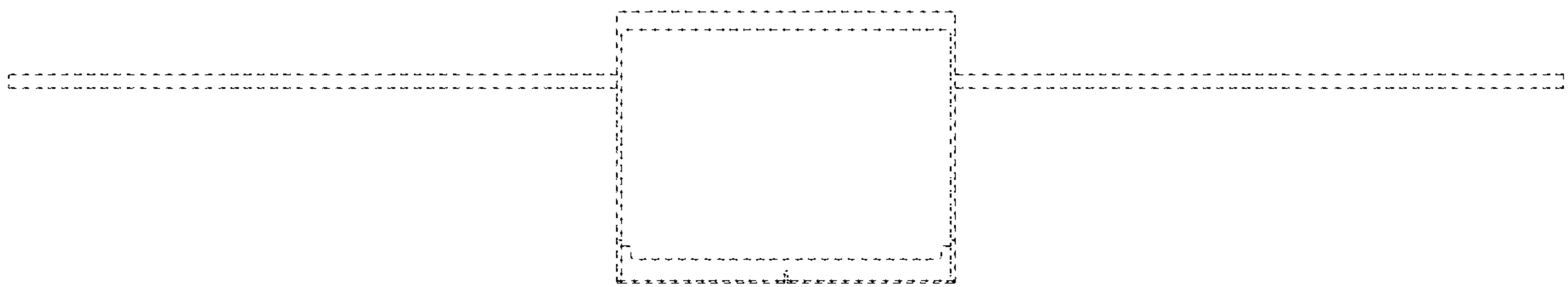


FIG. 8

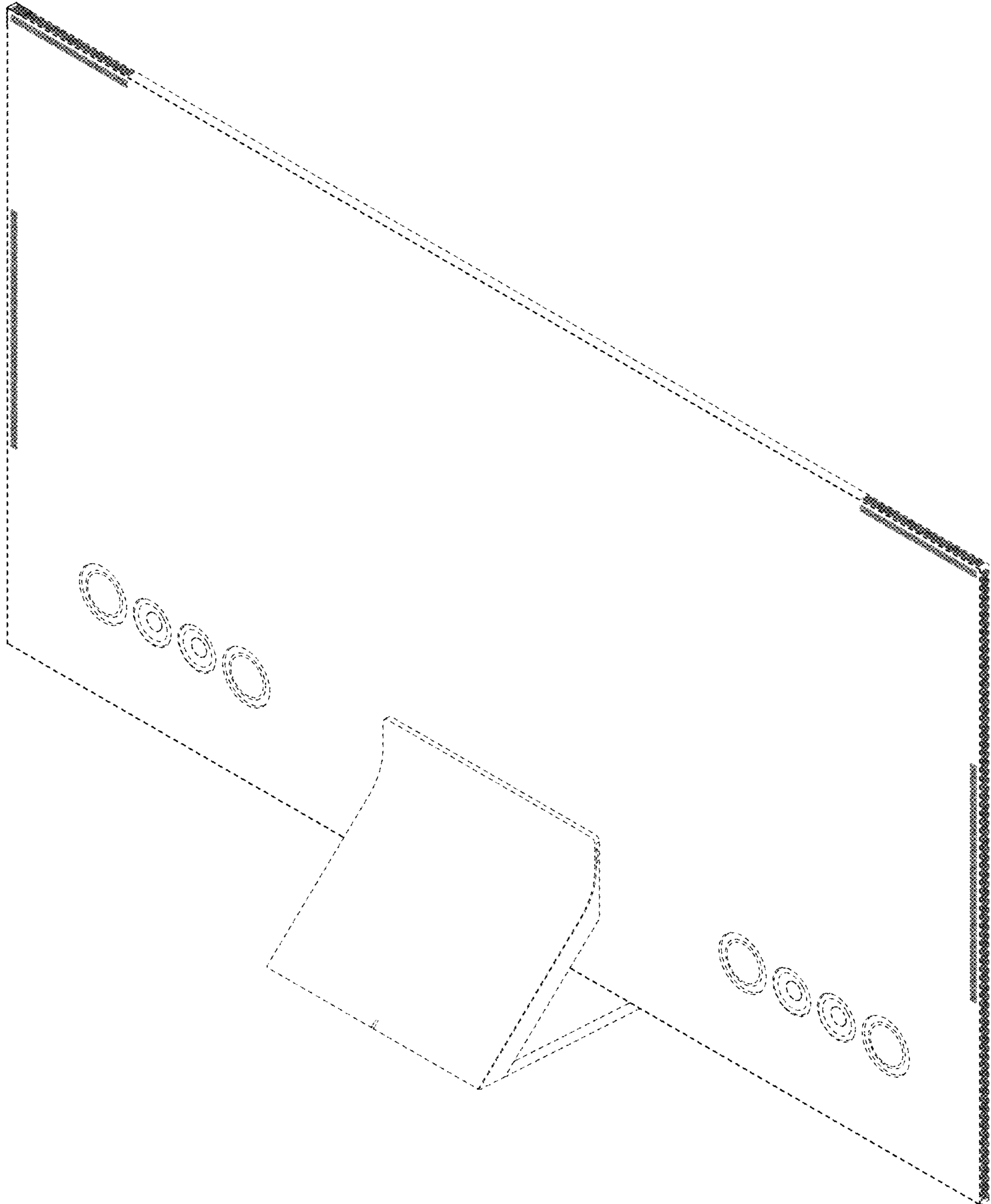


FIG. 9

