



US00D962879S

(12) **United States Design Patent**  
**Kuo et al.**

(10) **Patent No.:** **US D962,879 S**

(45) **Date of Patent:** **\*\* Sep. 6, 2022**

- (54) **HEAT-DISSIPATION UNIT**
- (71) Applicant: **Acer Incorporated**, New Taipei (TW)
- (72) Inventors: **Shu-Hao Kuo**, New Taipei (TW);  
**Wen-Neng Liao**, New Taipei (TW);  
**Cheng-Wen Hsieh**, New Taipei (TW)
- (73) Assignee: **Acer Incorporated**, New Taipei (TW)
- (\*\*) Term: **15 Years**
- (21) Appl. No.: **29/741,641**
- (22) Filed: **Jul. 14, 2020**

(30) **Foreign Application Priority Data**

Apr. 9, 2020 (TW) ..... 109301879

(51) **LOC (13) Cl.** ..... **13-03**

(52) **U.S. Cl.**  
USPC ..... **D13/179**

(58) **Field of Classification Search**  
USPC ..... D13/179; D14/435; D26/72, 113, 152  
CPC ..... H01L 23/28; H01L 23/36; H01L 23/367;  
H01L 23/3672; H01L 23/3675; H01L  
23/3677; H01L 23/4093; H01L 23/467;  
G06F 1/20; H05K 7/2039; H05K 7/20509  
See application file for complete search history.

(56) **References Cited**

**U.S. PATENT DOCUMENTS**

- 3,239,003 A \* 3/1966 Boudette ..... B21D 53/02  
174/16.3
- 4,715,438 A \* 12/1987 Gabuzda ..... H01L 23/467  
257/713
- 6,479,895 B1 \* 11/2002 Lee ..... H01L 23/467  
361/709
- 6,535,385 B2 \* 3/2003 Lee ..... H01L 23/467  
165/122
- D473,529 S \* 4/2003 Feinbloom ..... D13/179

- 6,557,626 B1 \* 5/2003 O'Sullivan ..... H01L 23/467  
257/E23.099
- 6,705,144 B2 \* 3/2004 Pollard, II ..... B21K 1/305  
72/263
- 6,851,467 B1 \* 2/2005 Bamford ..... H01L 23/467  
165/185

(Continued)

*Primary Examiner* — Selina Sikder

(74) *Attorney, Agent, or Firm* — JCIPRNET

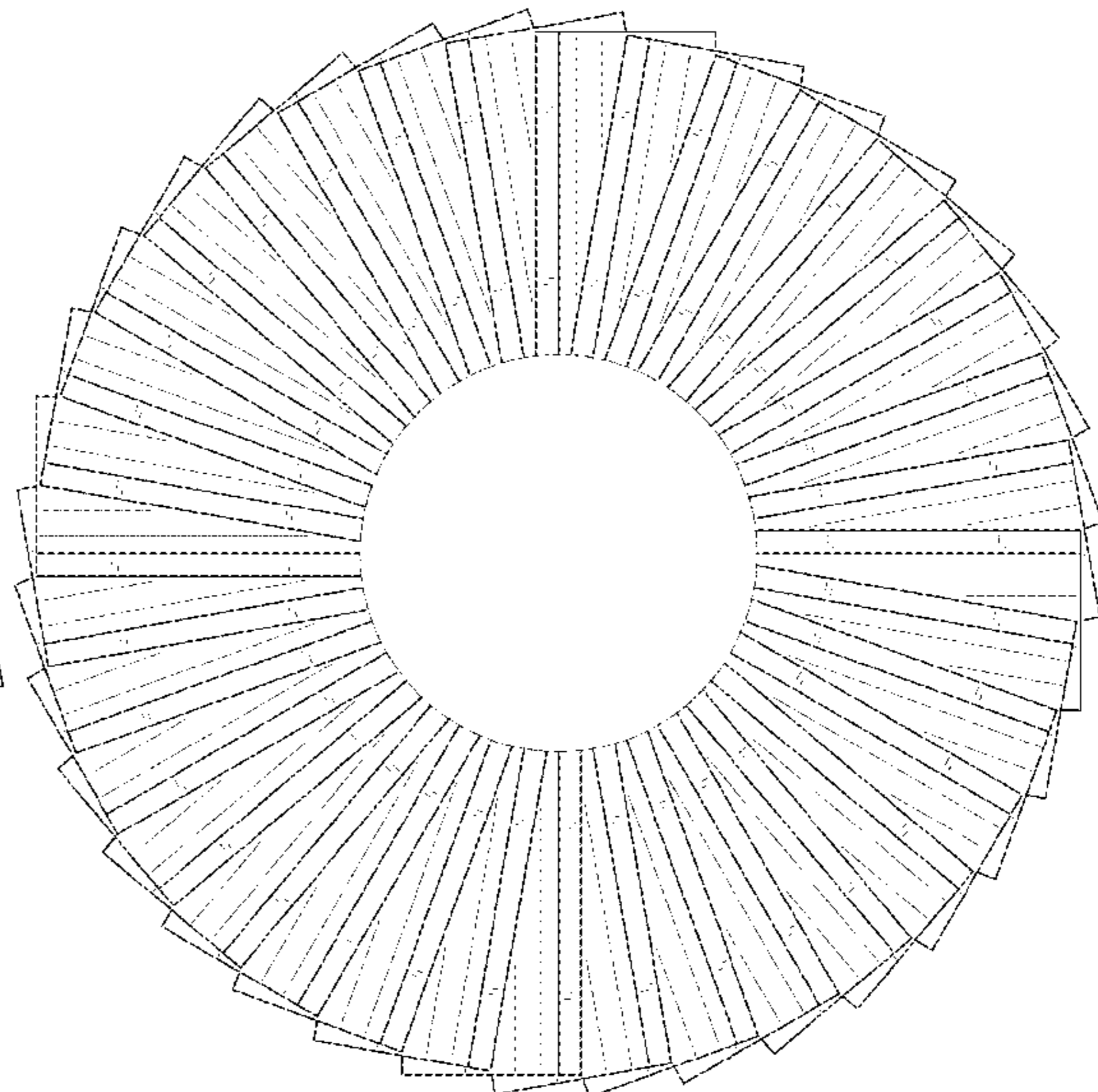
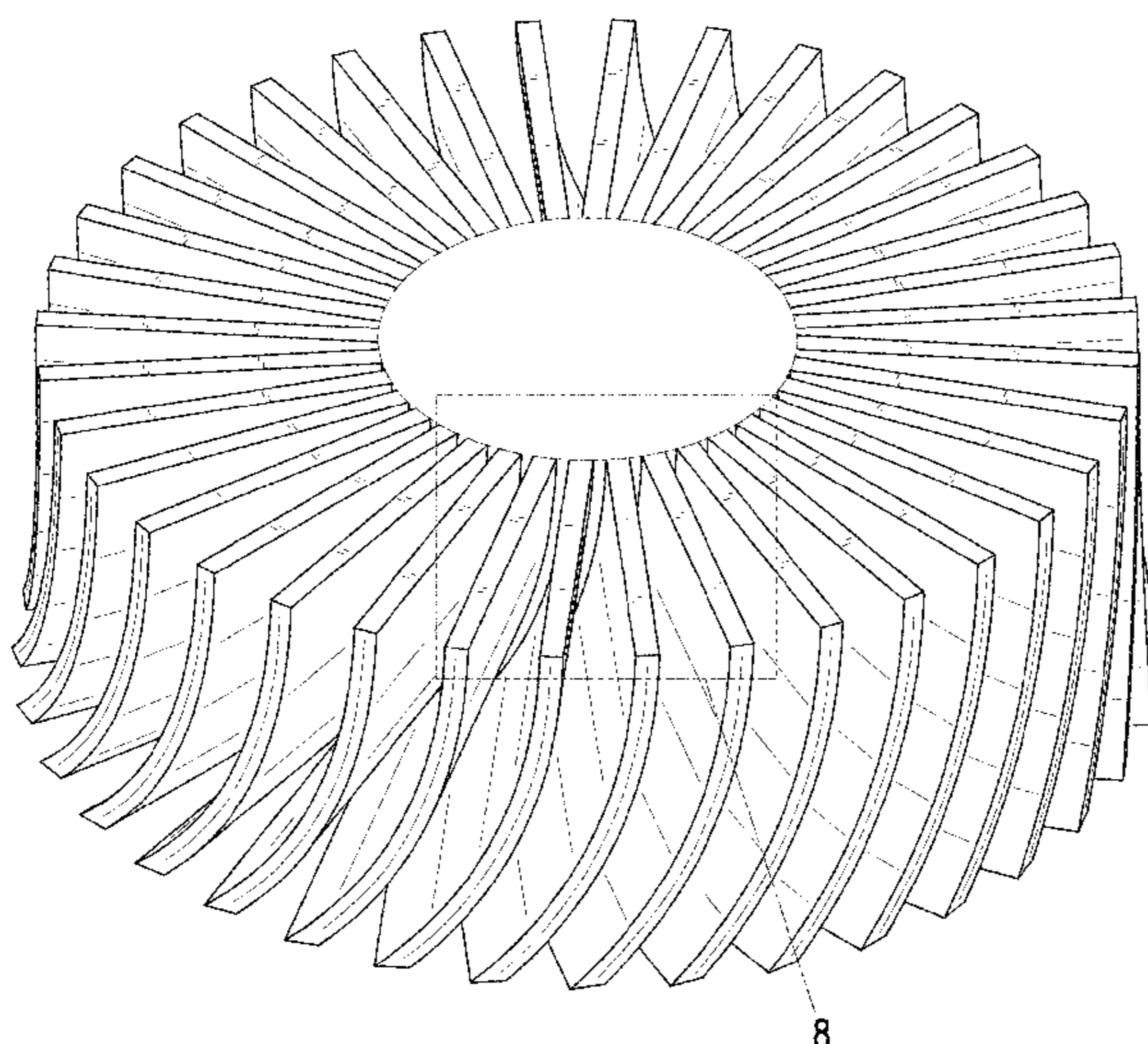
(57) **CLAIM**

The ornamental design for a heat-dissipation unit, as shown and described.

**DESCRIPTION**

FIG. 1 is a perspective view of a heat dissipation unit showing our new design;  
 FIG. 2 is a front view thereof;  
 FIG. 3 is a rear view thereof;  
 FIG. 4 is a left side view thereof;  
 FIG. 5 is a right side view thereof;  
 FIG. 6 is a top view thereof;  
 FIG. 7 is a bottom view thereof;  
 FIG. 8 is an enlarged view of the portion, labeled '8' in FIG. 1; and,  
 FIG. 9 is a perspective view thereof, shown in use with an environmental fan module thereon.  
 The ornamental design which is claimed is shown in the drawings as solid lines and surfaces having surface shading. The broken lines in FIG. 9 showing the additional fan module depict environmental structure only and form no part of the claim design. The broken lines consisting of a long dash and two short dashes depict reference to the enlargements shown in FIGS. 1 and 8 and form no part of the claim design. The broken line consisting of a long dash and one short dash defines the boundary of the claim design, which extends to the boundary but does not include the boundary. All other broken lines in the drawings form no part of the claimed design.

**1 Claim, 7 Drawing Sheets**



(56)

References Cited

U.S. PATENT DOCUMENTS

7,120,020 B2 \* 10/2006 Carter ..... H01L 23/467  
 257/722  
 D552,564 S \* 10/2007 Mochizuki ..... D13/179  
 7,284,596 B2 \* 10/2007 Larson ..... H01L 23/3672  
 257/E23.103  
 D568,829 S \* 5/2008 Yamashita ..... D13/179  
 D576,964 S \* 9/2008 Shaner ..... D13/179  
 D608,876 S \* 1/2010 Huang ..... D23/323  
 D622,675 S \* 8/2010 Liu ..... D13/179  
 D634,279 S \* 3/2011 Chua ..... D13/179  
 D642,732 S \* 8/2011 Blincoe ..... D26/152  
 D657,490 S \* 4/2012 Blincoe ..... D26/152  
 D657,492 S \* 4/2012 Blincoe ..... D26/152  
 D657,908 S \* 4/2012 Blincoe ..... D26/152  
 D664,291 S \* 7/2012 Blincoe ..... D26/152  
 8,322,897 B2 \* 12/2012 Blincoe ..... F21V 29/75  
 362/373  
 D762,181 S \* 7/2016 Lin ..... F21V 29/773  
 D13/179  
 10,103,081 B2 \* 10/2018 Bharadwaj ..... H01L 23/34  
 10,103,089 B2 \* 10/2018 Kaslusky ..... H01L 23/467  
 D836,571 S \* 12/2018 Ueda ..... D13/179

D838,251 S \* 1/2019 Ueda ..... D13/179  
 2002/0017378 A1 \* 2/2002 Hu ..... H01L 23/467  
 165/122  
 2002/0018336 A1 \* 2/2002 Liang ..... H01L 23/467  
 257/E23.099  
 2002/0046826 A1 \* 4/2002 Kao ..... H01L 23/3672  
 165/185  
 2006/0034058 A1 \* 2/2006 Wang ..... H01L 23/4093  
 257/E23.103  
 2007/0217159 A1 \* 9/2007 Long ..... H01L 23/4093  
 257/E23.086  
 2009/0009999 A1 \* 1/2009 Wang ..... F21V 29/71  
 362/294  
 2009/0073656 A1 \* 3/2009 Otsuki ..... H01L 23/367  
 29/889.3  
 2009/0147517 A1 \* 6/2009 Li ..... F21V 29/75  
 362/249.02  
 2009/0147520 A1 \* 6/2009 Liu ..... F21V 29/75  
 361/709  
 2009/0255658 A1 \* 10/2009 Shen ..... H01L 23/3677  
 165/185  
 2009/0288806 A1 \* 11/2009 Lin ..... H01L 23/367  
 165/80.3

\* cited by examiner

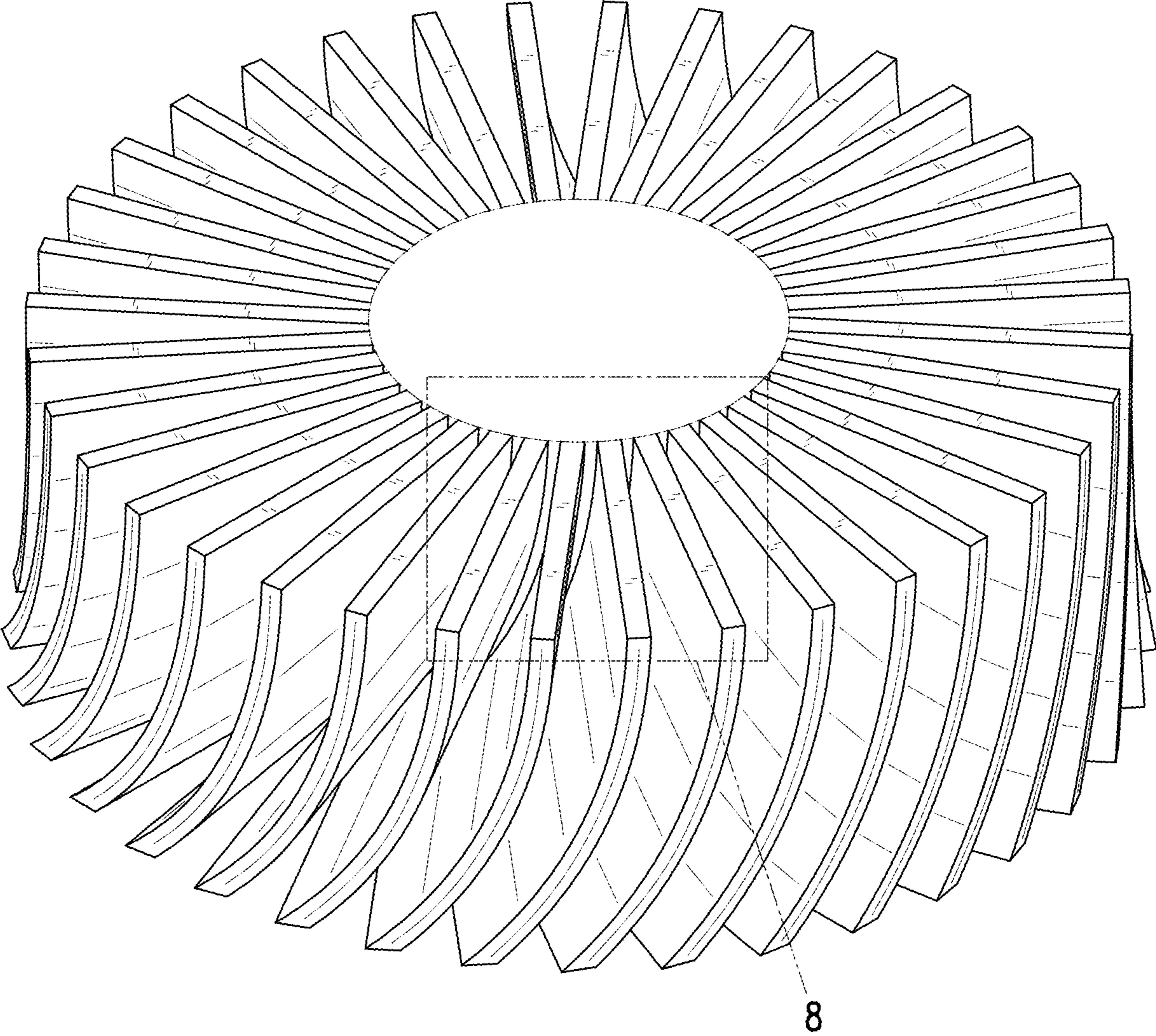


FIG. 1

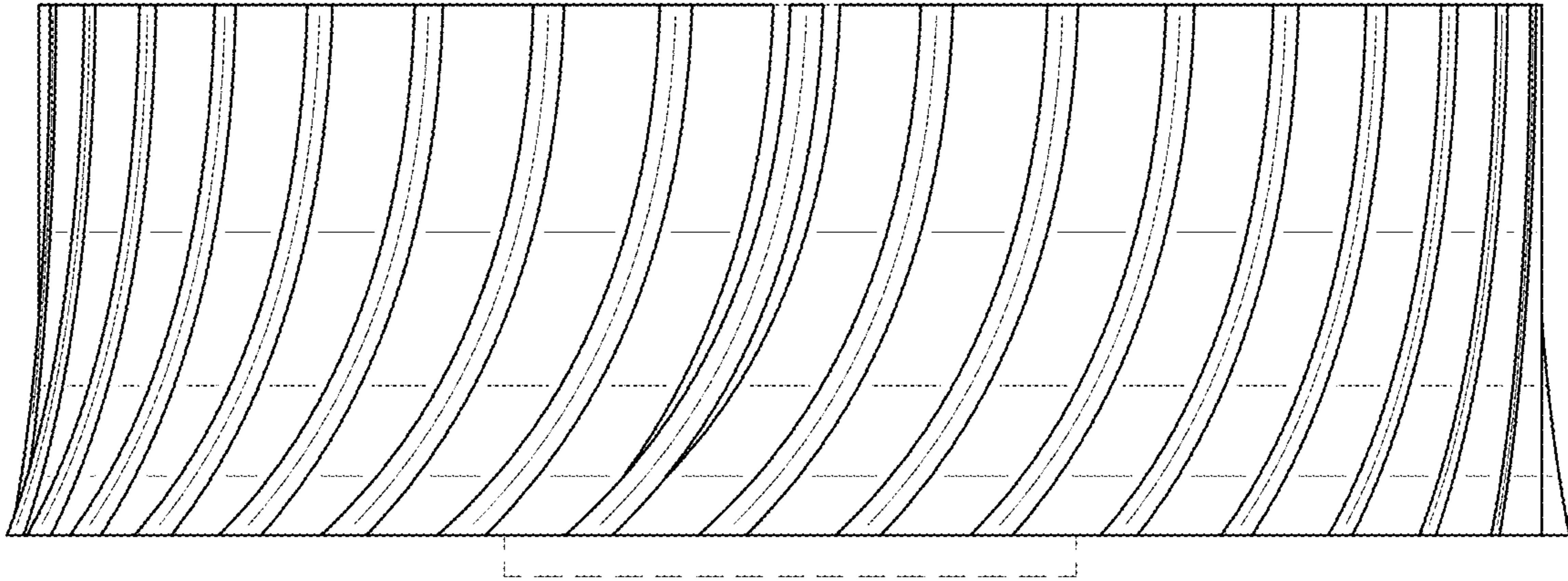


FIG. 2

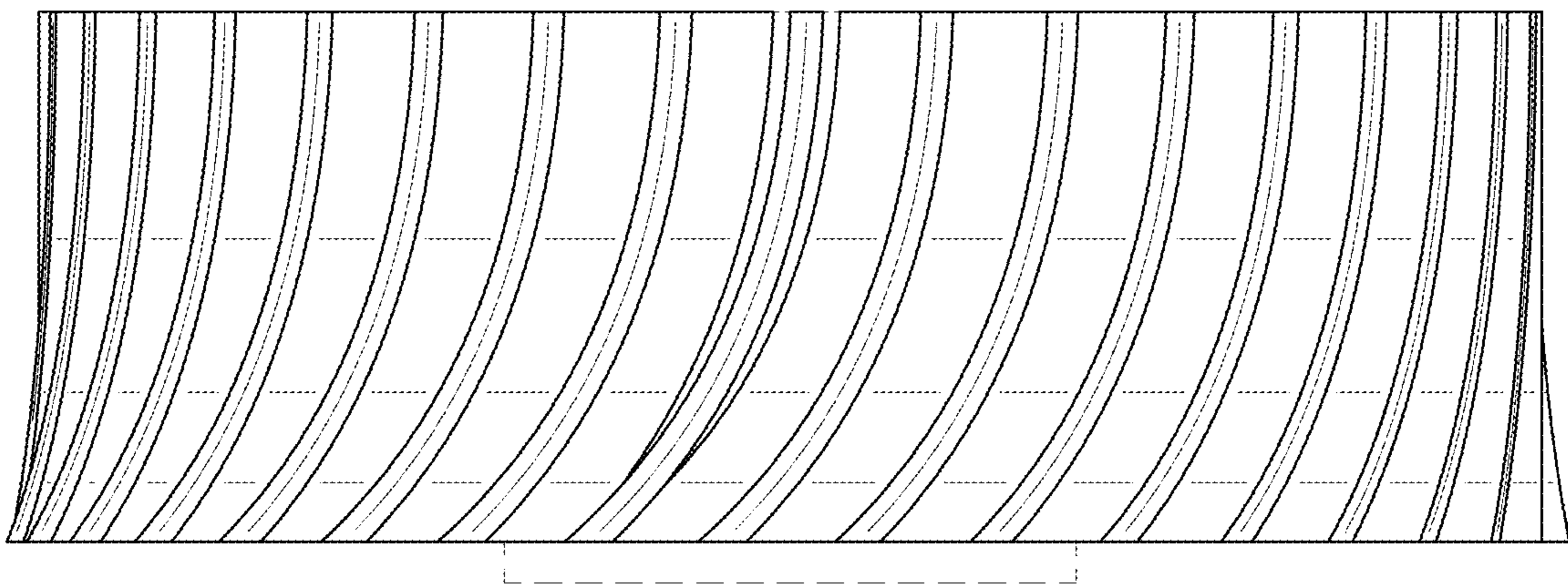


FIG. 3

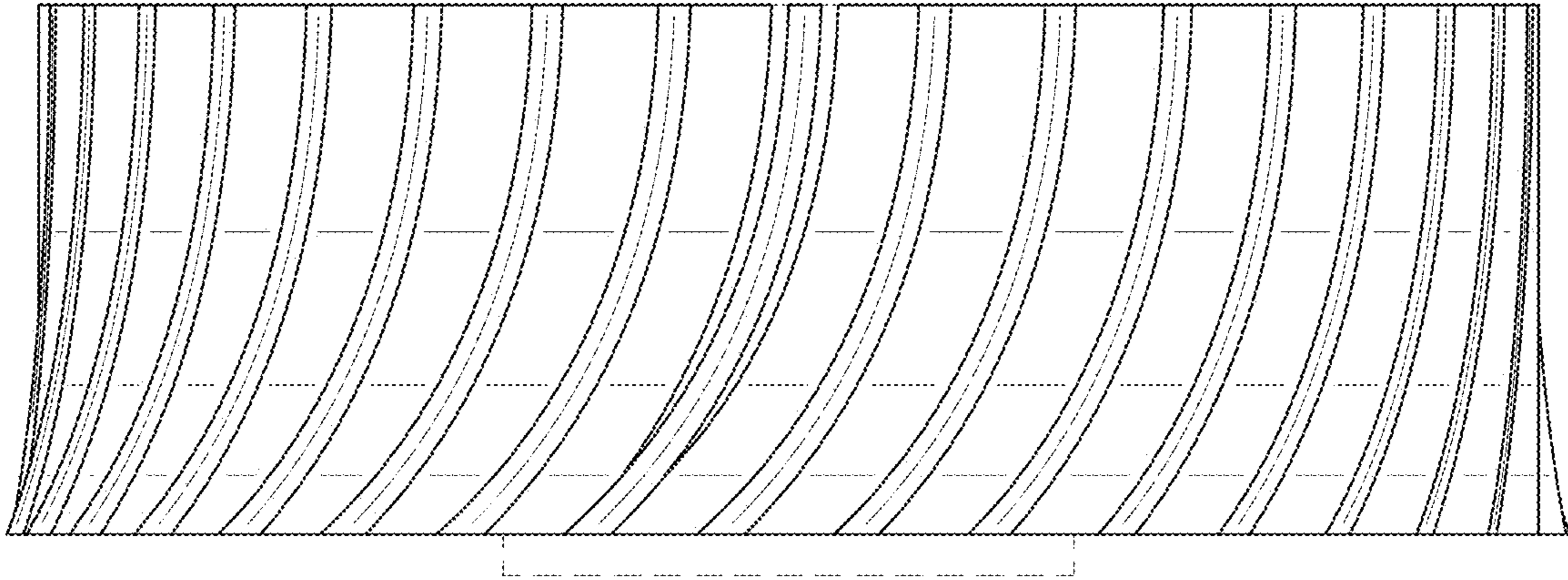


FIG. 4

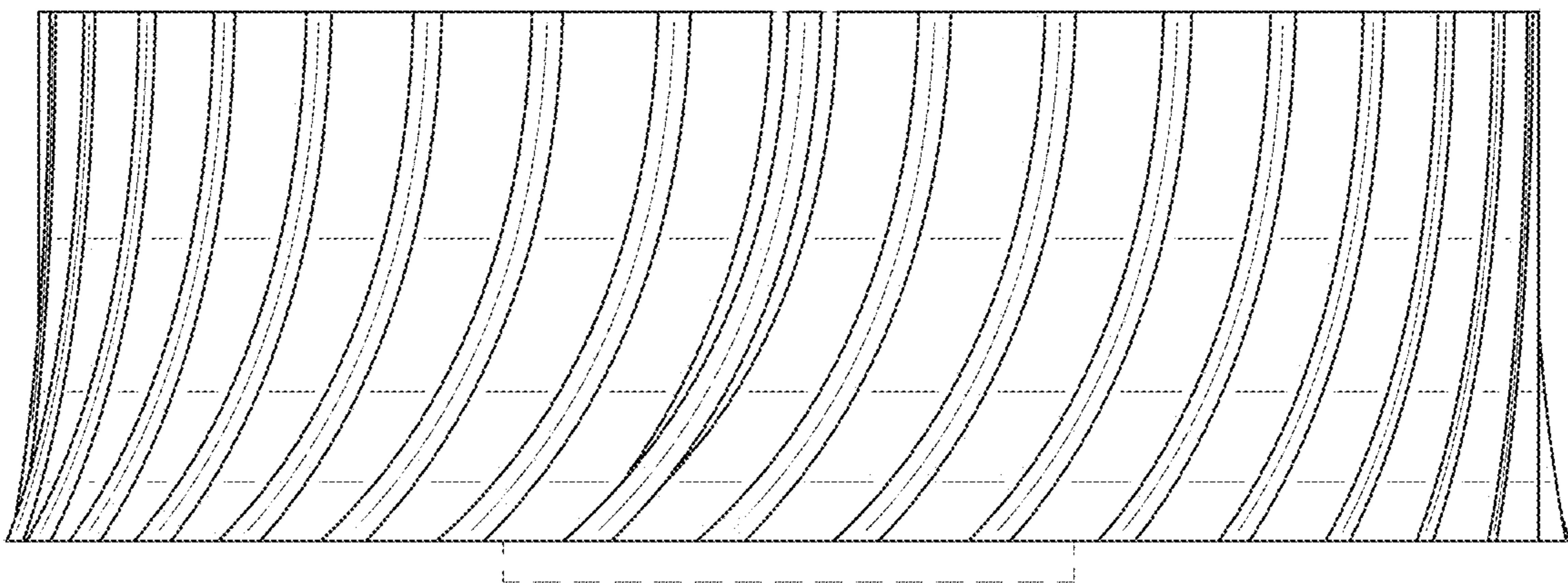


FIG. 5

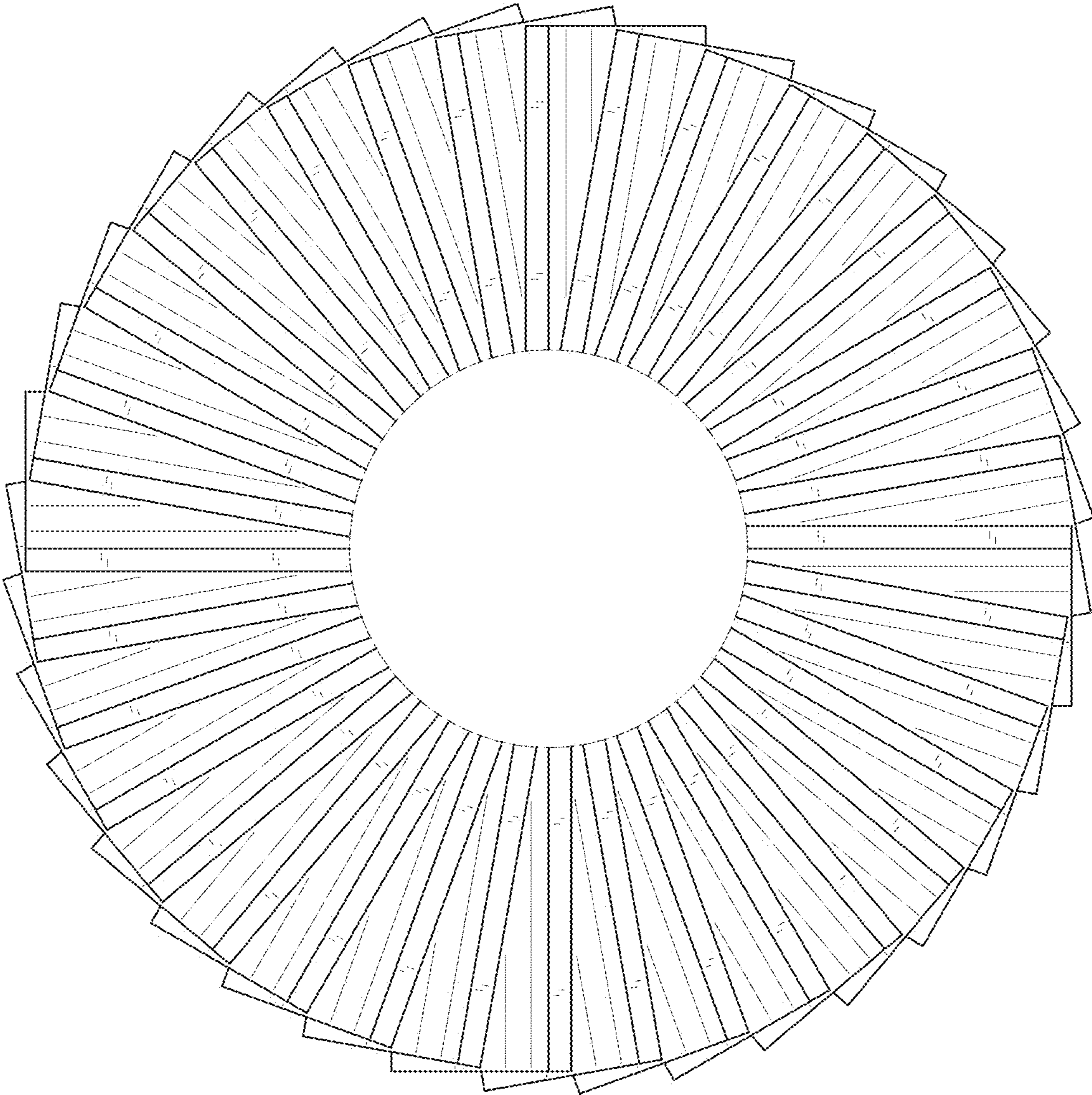


FIG. 6

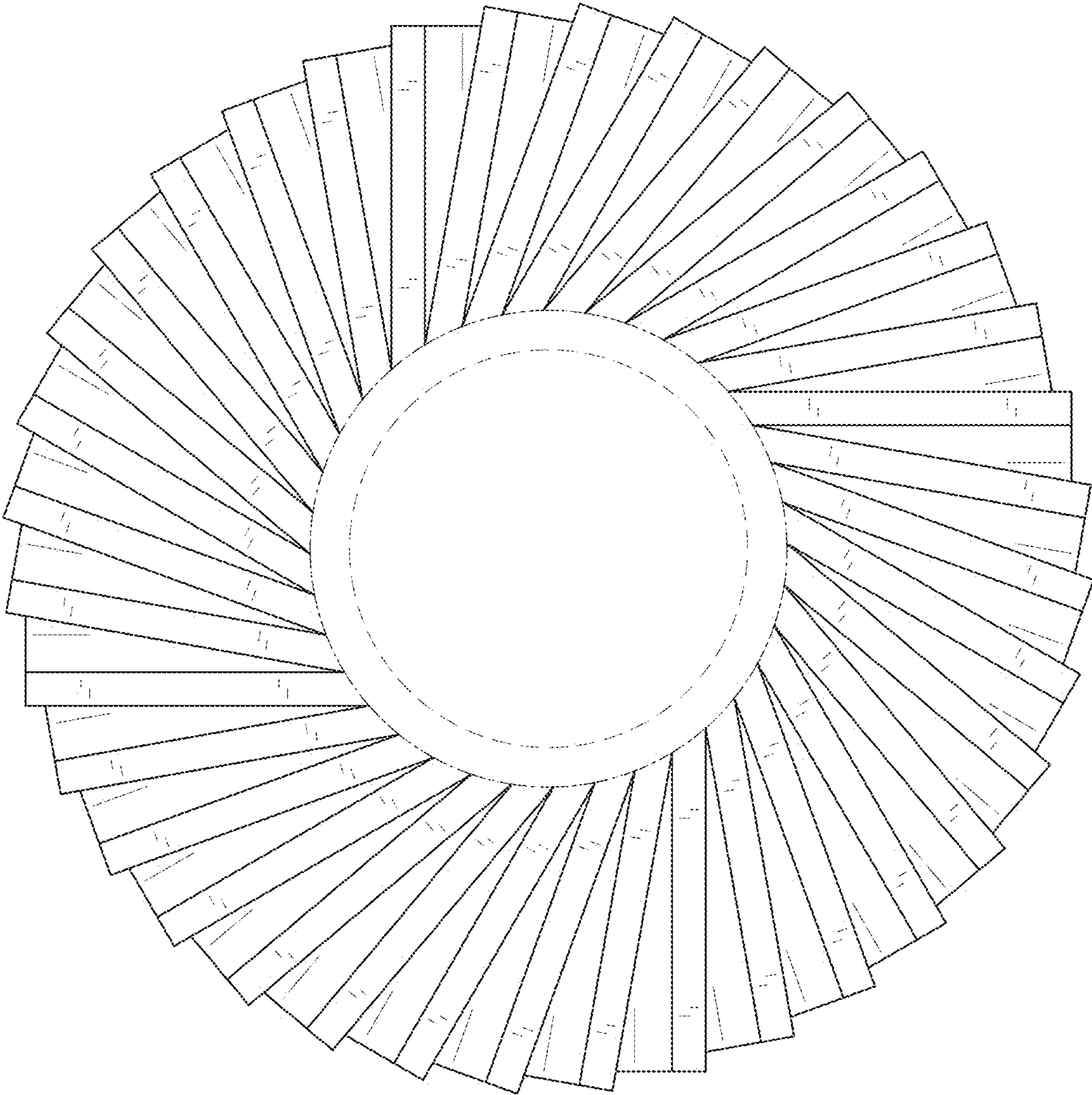


FIG. 7

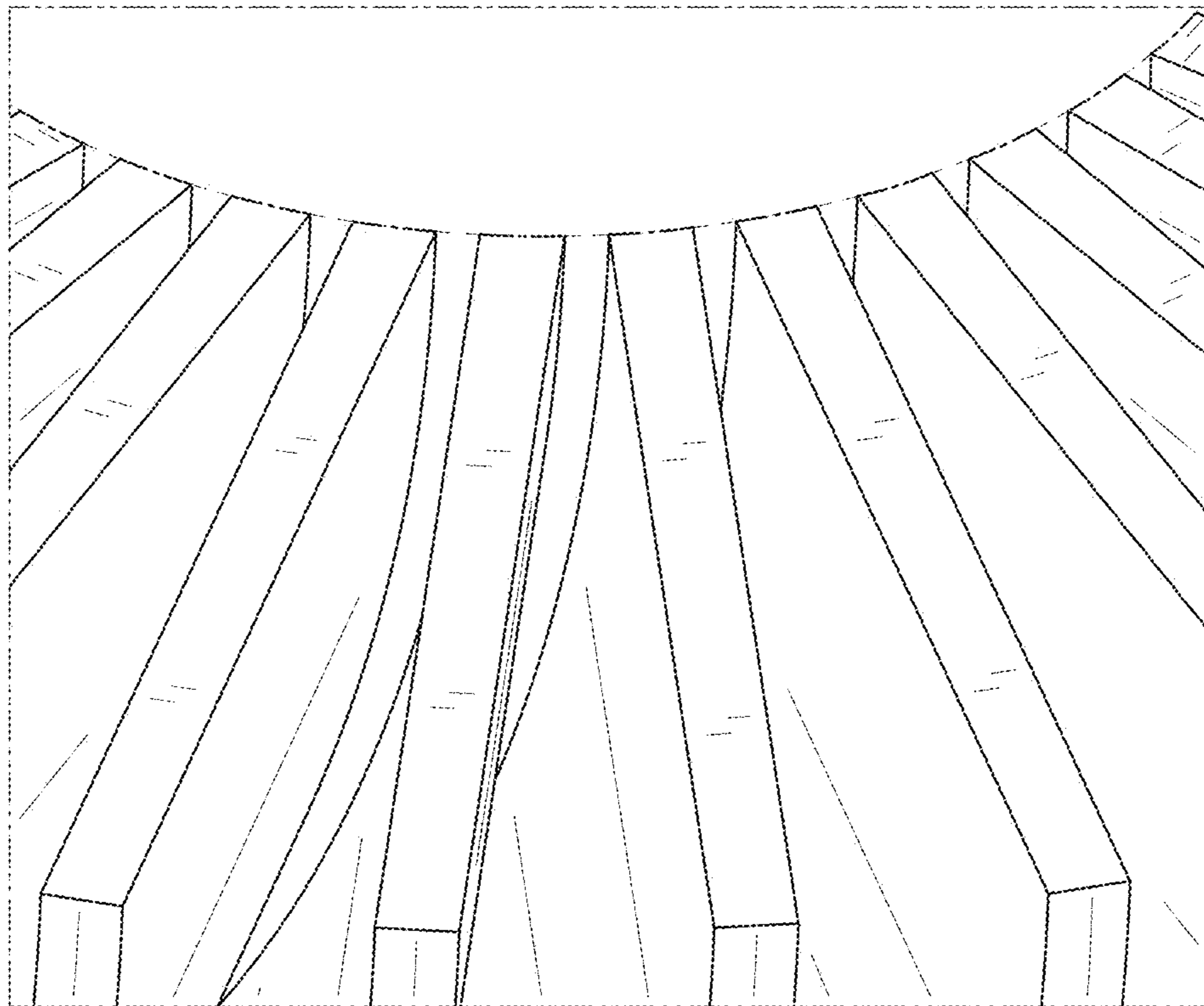


FIG. 8



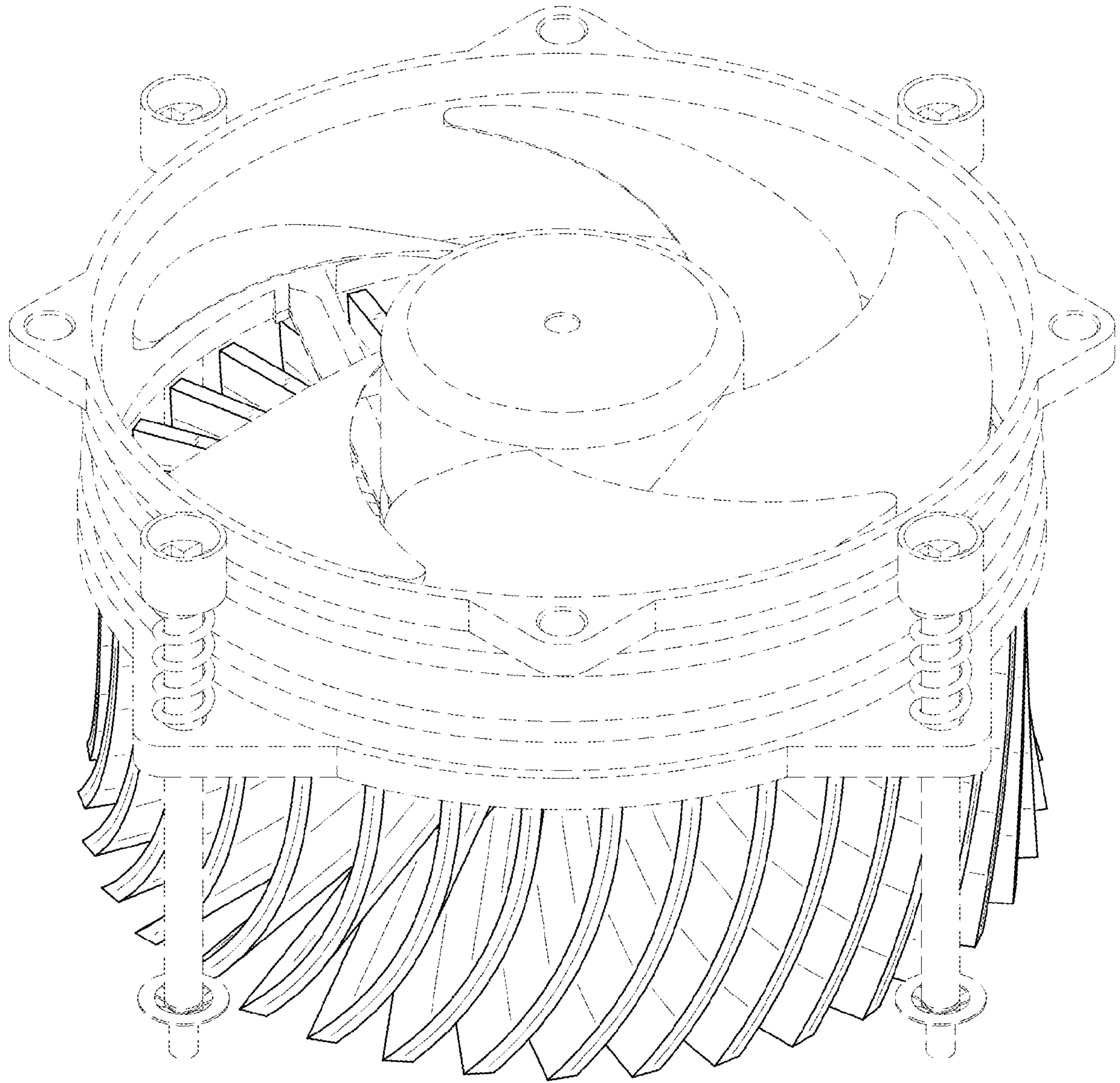


FIG. 9