

US00D962878S

(12) **United States Design Patent** (10) **Patent No.:** **US D962,878 S**
Dimberg et al. (45) **Date of Patent:** **** Sep. 6, 2022**

(54) **REMOTE CONTROL DEVICE**

(56) **References Cited**

(71) Applicant: **Lutron Technology Company LLC**,
Coopersburg, PA (US)

U.S. PATENT DOCUMENTS

(72) Inventors: **Chris Dimberg**, Easton, PA (US);
Jason C. Killo, Emmaus, PA (US);
Matthew Philip McDonald,
Phoenixville, PA (US); **Daniel L.**
Twaddell, Allentown, PA (US)

D169,574 S 5/1953 Bordner
D208,025 S 7/1967 Weitzman
D282,462 S 2/1986 Hart
(Continued)

(73) Assignee: **Lutron Technology Company LLC**,
Coopersburg, PA (US)

FOREIGN PATENT DOCUMENTS

EM 002144899-0001 2/2013
EM 002144899-0002 2/2013
(Continued)

(**) Term: **15 Years**

OTHER PUBLICATIONS

(21) Appl. No.: **29/806,952**

Leviton Manufacturing Co., Inc., Catalog, Vizia RF+, available at
least as early 2009 (6 pages).

(22) Filed: **Sep. 8, 2021**

(Continued)

Related U.S. Application Data

(63) Continuation of application No. 29/740,765, filed on
Jul. 7, 2020, now Pat. No. Des. 933,030, which is a
continuation of application No. 29/705,783, filed on
Sep. 16, 2019, now Pat. No. Des. 892,065, which is
a continuation of application No. 29/640,708, filed on
Mar. 16, 2018, now Pat. No. Des. 865,682, which is
a continuation of application No. 15/469,459, filed on
Mar. 24, 2017, now Pat. No. 10,109,181.

Primary Examiner — Selina Sikder

(74) *Attorney, Agent, or Firm* — Saidman DesignLaw
Group, LLC

(51) **LOC (13) Cl.** **13-03**

(52) **U.S. Cl.**
USPC **D13/174**

(58) **Field of Classification Search**
USPC D13/162, 168, 169, 173, 174
CPC H01H 9/02; H01H 9/0271; H01H 9/16;
H01H 9/18; H01H 9/161; H01H 9/181;
H01H 9/182; H01H 13/04; H01H 13/14;
H01H 13/20; H01H 13/30; H01H 19/635;
H01H 83/02; H01H 83/04; H01H 83/144;
H01H 23/00; H01H 23/02; H01H 23/025;
H01H 23/04; H01H 23/145; H01H
23/148; H01H 23/205; H01H 23/30

See application file for complete search history.

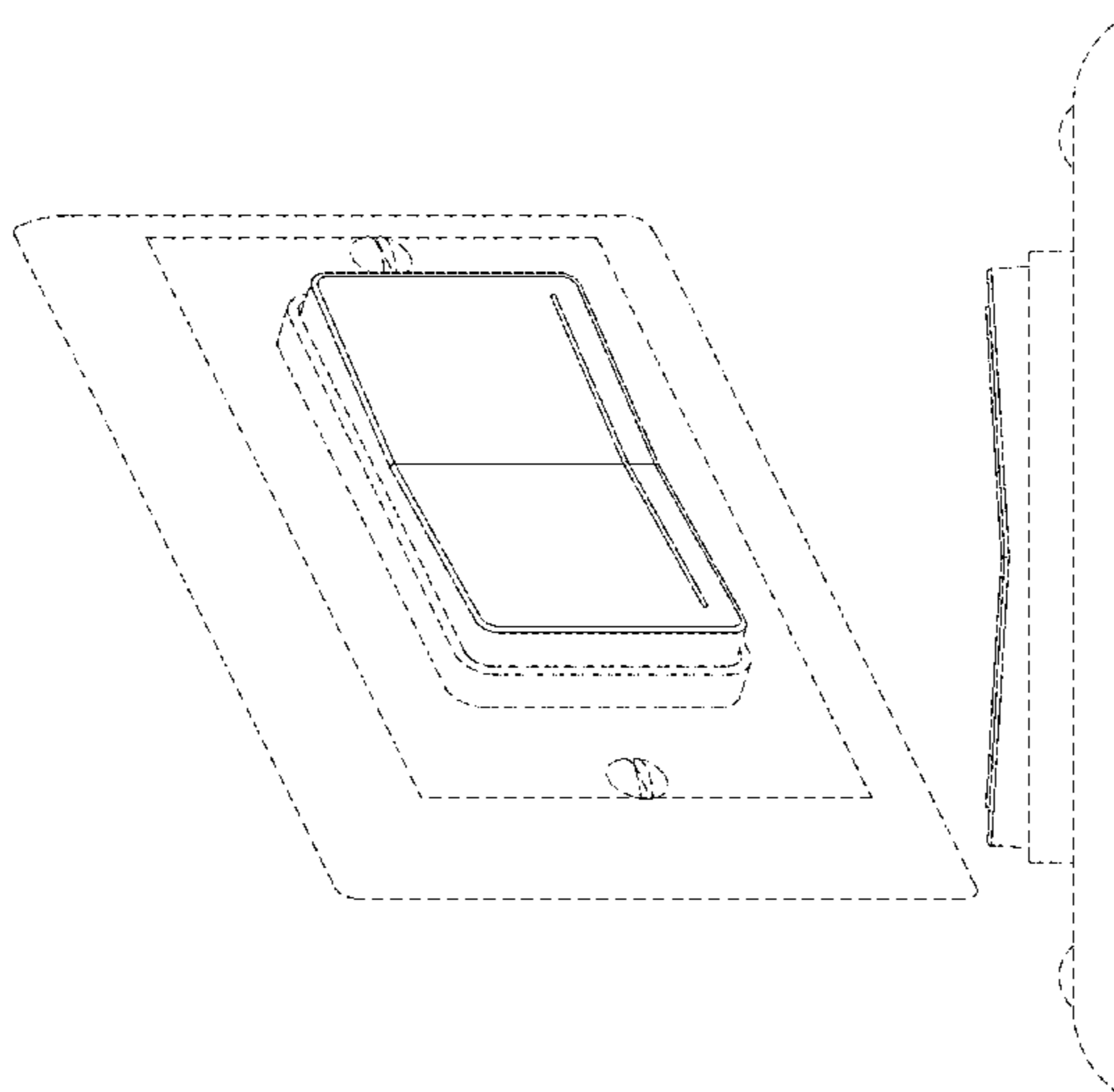
(57) **CLAIM**

The ornamental design for a remote control device, as shown
and described.

DESCRIPTION

FIG. 1 is a perspective view of a remote control device
showing our new design;
FIG. 2 is a front view thereof;
FIG. 3 is a left side view thereof;
FIG. 4 is a right side view thereof;
FIG. 5 is a top view thereof; and,
FIG. 6 is a bottom view thereof.
The broken lines illustrate structure or features which form
no part of the claimed design.

1 Claim, 4 Drawing Sheets



(56)

References Cited

U.S. PATENT DOCUMENTS

D307,578 S 5/1990 Carson et al.
 D315,145 S 3/1991 Pearlman et al.
 5,696,350 A 12/1997 Anker
 5,895,888 A 4/1999 Arenas et al.
 D415,472 S 10/1999 Kelso et al.
 6,005,308 A 12/1999 Bryde et al.
 D436,934 S 1/2001 Hayduke et al.
 D518,794 S 4/2006 Hedderich et al.
 7,049,537 B1 5/2006 Shotey et al.
 7,190,125 B2 3/2007 McDonough et al.
 7,365,282 B2 4/2008 Altonen et al.
 D572,202 S 7/2008 Jacoby et al.
 D583,335 S 12/2008 Ni
 D607,849 S 1/2010 Samuels et al.
 7,667,155 B1 2/2010 Ni et al.
 7,714,790 B1 5/2010 Feldstein et al.
 7,777,145 B2 8/2010 Burrell et al.
 D649,122 S 11/2011 Jacoby et al.
 D692,398 S 10/2013 Felegy, Jr. et al.
 D694,197 S 11/2013 Felegy, Jr. et al.
 D694,716 S 12/2013 Felegy, Jr. et al.
 8,710,763 B2 8/2014 Hakkarainen et al.
 D712,846 S * 9/2014 Creasman D13/174
 D733,075 S 6/2015 Junko et al.
 D740,766 S 10/2015 Falkenberg et al.
 D777,685 S 1/2017 Tannous et al.
 D787,451 S 5/2017 Tress et al.
 D797,061 S 9/2017 Lacey
 9,818,559 B2 11/2017 Tress et al.
 9,838,008 B2 12/2017 Lark, Jr. et al.
 D821,985 S 7/2018 Zheng
 D830,977 S 10/2018 Liao et al.
 10,109,181 B2 10/2018 Dimberg et al.
 10,141,144 B2 11/2018 Zhuang et al.
 D852,063 S 6/2019 Ni et al.
 D865,682 S * 11/2019 Dimberg H01H 23/16
 D892,065 S * 8/2020 Dimberg H05B 47/11
 D913,254 S * 3/2021 Altonen D13/168
 D933,027 S * 10/2021 Altonen D13/169
 D933,030 S * 10/2021 Dimberg H05B 47/105
 D936,617 S * 11/2021 Altonen D13/174
 11,237,665 B2 * 2/2022 Steiner H05B 45/10
 2007/0215441 A1 * 9/2007 Nassimi H01H 23/30
 2010/0214756 A1 8/2010 Feldstein
 2012/0292174 A1 11/2012 Mah et al.
 2017/0278383 A1 9/2017 Dimberg et al.

2017/0278647 A1 9/2017 Dimberg et al.
 2017/0278652 A1 9/2017 Dimberg et al.
 2017/0280533 A1 9/2017 Dimberg et al.
 2017/0280534 A1 9/2017 Dimberg et al.
 2017/0352506 A1 12/2017 Dimberg
 2019/0005809 A1 1/2019 Dimberg et al.
 2019/0006129 A1 1/2019 Dimberg et al.
 2019/0019403 A1 1/2019 Dimberg et al.
 2019/0073898 A1 3/2019 Dimberg et al.
 2020/0020490 A1 1/2020 Dimberg et al.
 2020/0037422 A1 1/2020 Shivell
 2020/0144007 A1 5/2020 Shivell
 2020/0382120 A1 * 12/2020 Brogan H01H 23/145
 2021/0013706 A1 1/2021 Richter et al.
 2021/0022231 A1 1/2021 Shivell

FOREIGN PATENT DOCUMENTS

EM 002144899-0003 2/2013
 EM 002144899-0004 2/2013
 EM 002144899-0005 2/2013
 EM 002144899-0006 2/2013
 EM 002144899-0007 2/2013
 EM 002144899-0008 2/2013
 EM 002144899-0009 2/2013
 EM 002144899-0010 2/2013
 EM 002144899-0011 2/2013
 EM 002144899-0012 2/2013
 EM 002144899-0013 2/2013
 EM 002144899-0014 2/2013

OTHER PUBLICATIONS

Smart-Bus 3 Button Switch Wall Panel—SB-3BS-EU, <http://www.smarthomebus.com/Smart-Bus-3-Button-Switch-Wall-Panel-SB-3BS-EU-GTIN-UPC-EAN-0610696254283.html>.
 iDEVICES LLC, The iDevices Advantage, specification sheet, available at least as early as 2017 (21 pages).
 Eco4life Smart Wi-Fi Wireless Wall Light Switch; advertised on Amazon, date first available May 21, 2018 (2 pages); https://www.amazon.com/Wireless-Switch-control-Required-Control/dp/B07D6WKQJV/ref=sr_1_5?dchild=1&keywords=eco4life+by+Sonicgrace+WiFi+Smart+Wall+Switch.&qid=1614207527&sr=8-5.
 Thinkbee Wireless Light Switch Kit; advertised on Amazon; date first available Jun. 12, 2019 (2 pages); https://www.amazon.com/dp/B07T23NCXP/ref=emc_b_5_i.
 U.S. Appl. No. 29/685,060, filed Mar. 26, 2019 (unpublished).
 U.S. Appl. No. 29/709,969, filed Oct. 18, 2019 (unpublished).
 U.S. Appl. No. 29/740,579, filed Jul. 6, 2020 (unpublished).

* cited by examiner

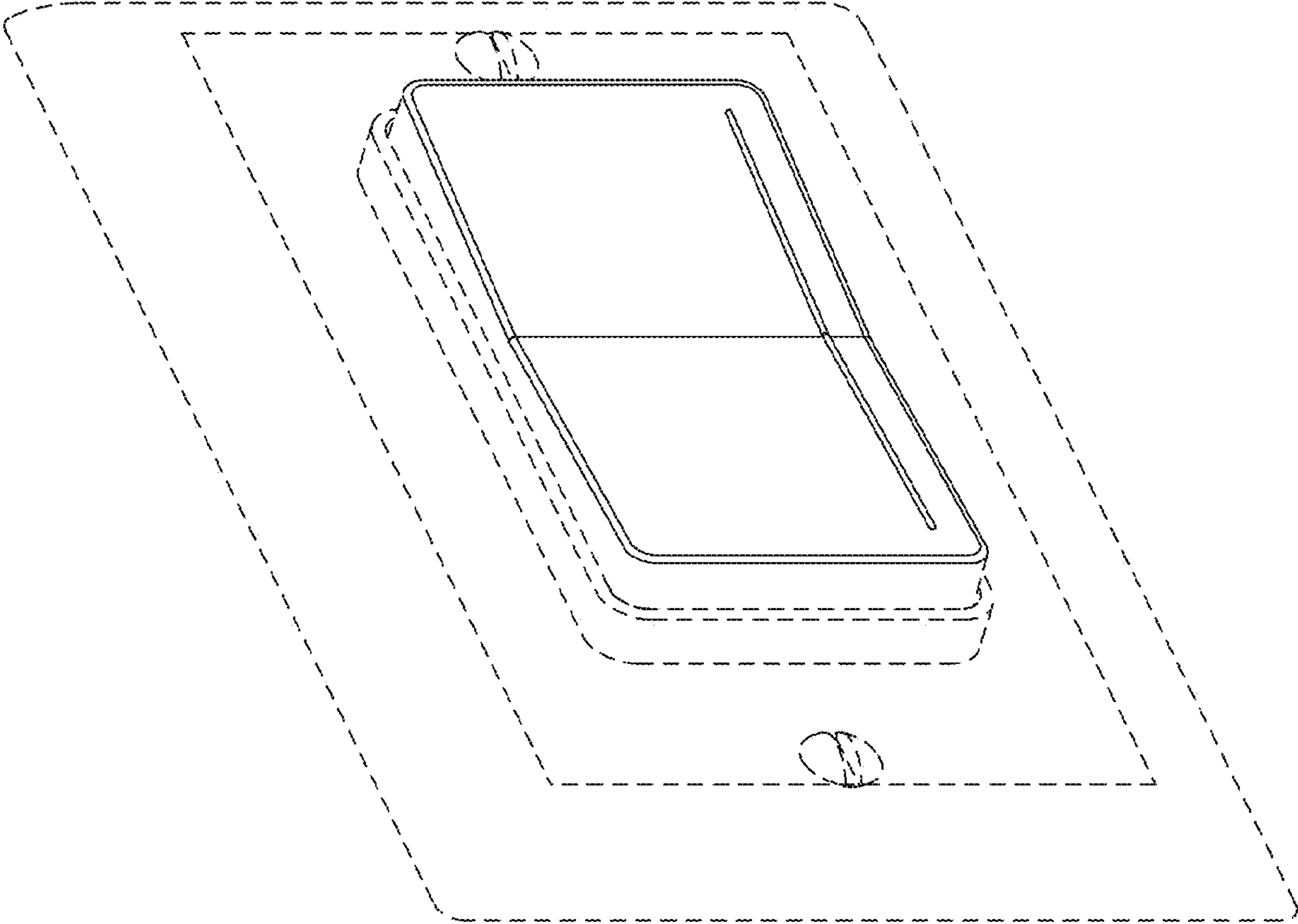


FIG. 1

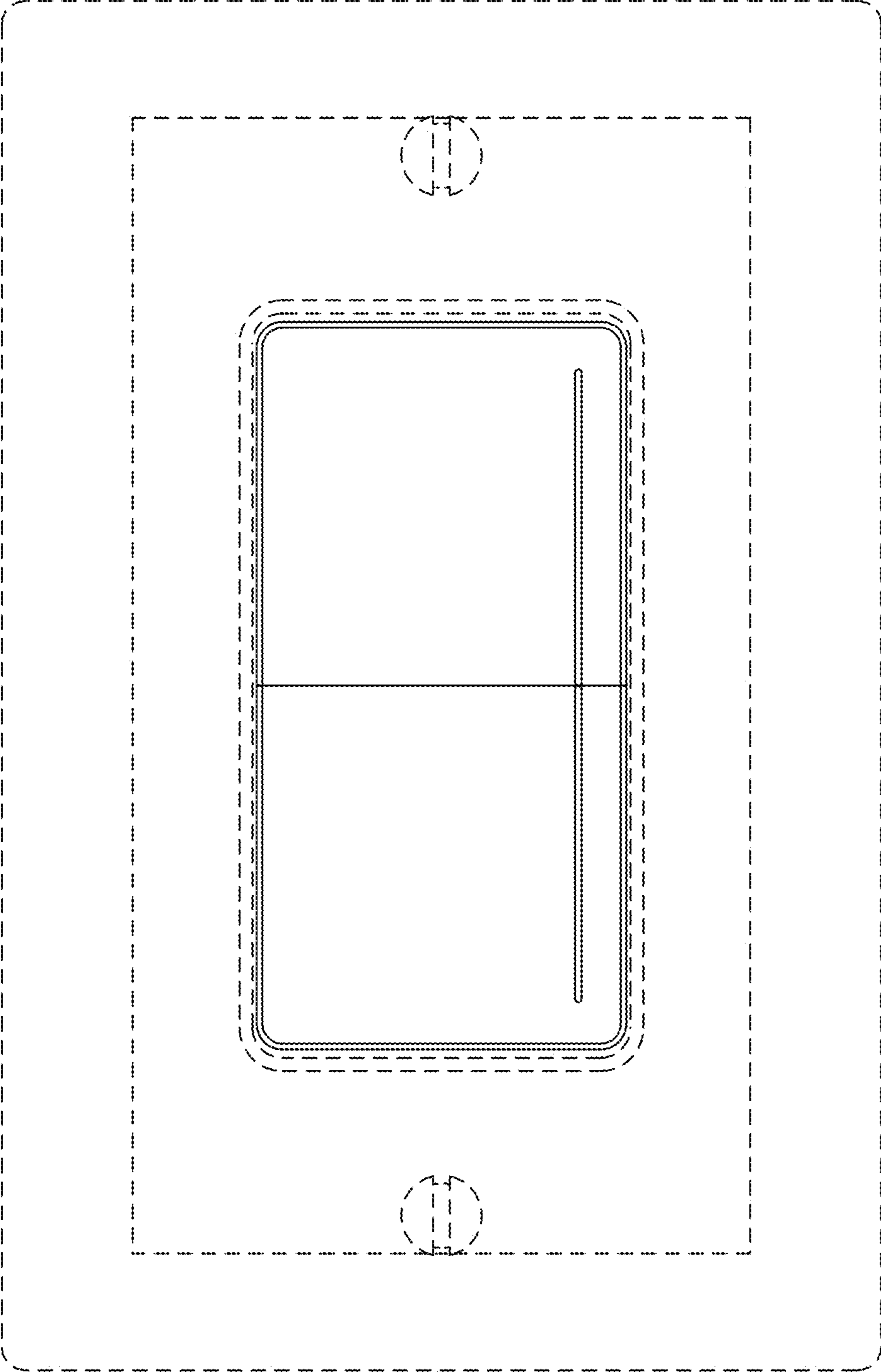


FIG. 2

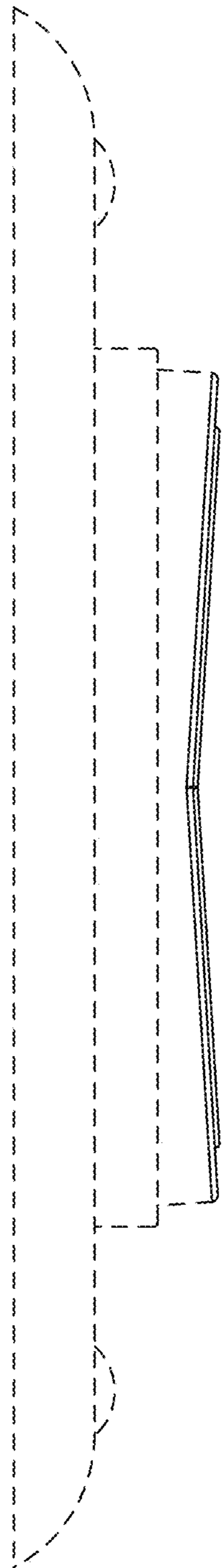


FIG. 3

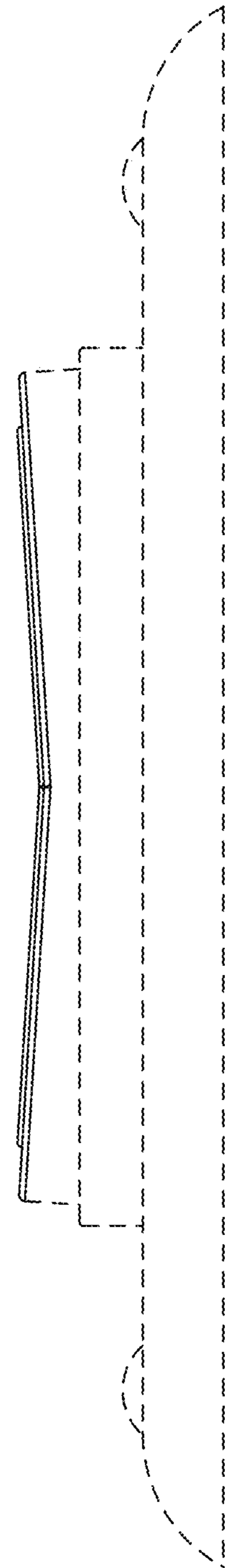


FIG. 4

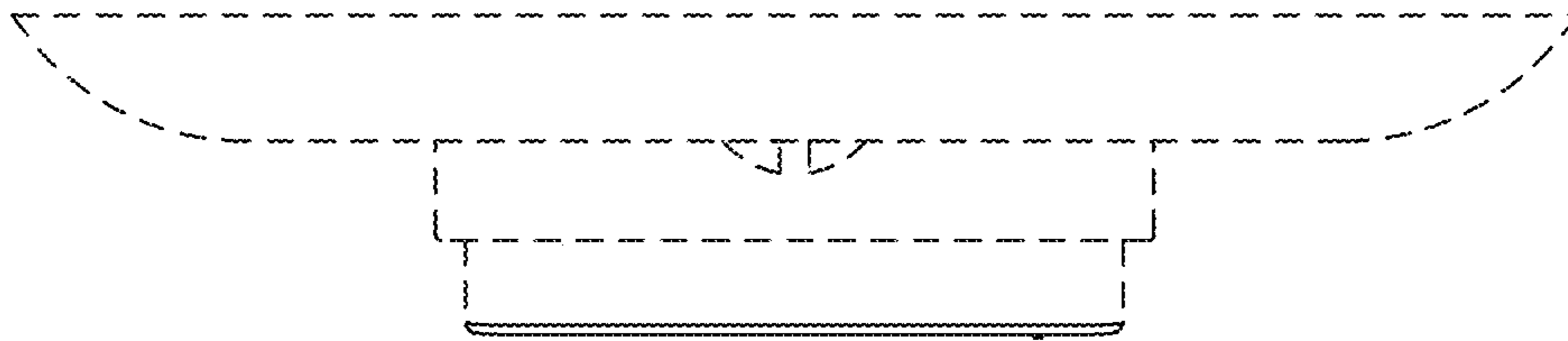


FIG. 5

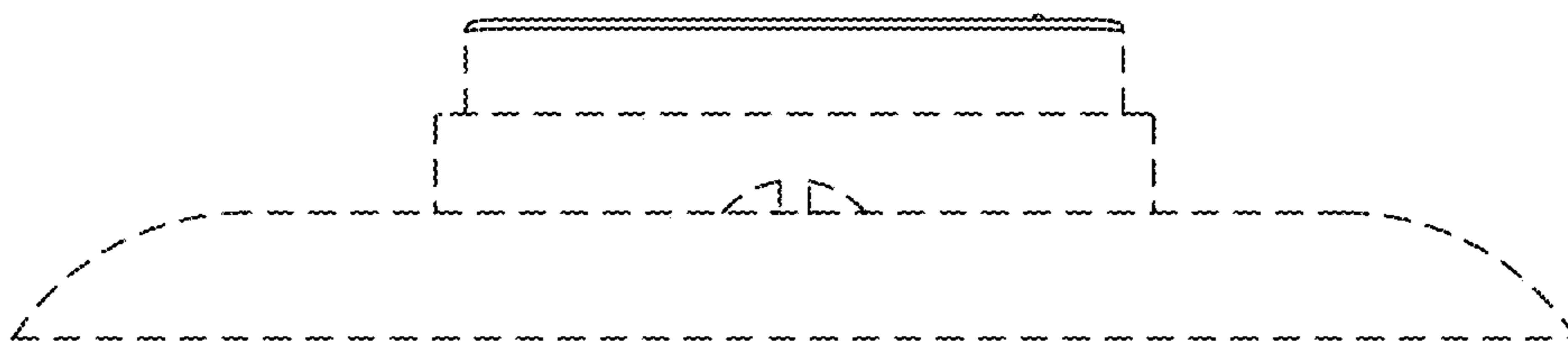


FIG. 6