

US00D962877S

(12) **United States Design Patent** (10) **Patent No.:** **US D962,877 S**  
**Dratsch et al.** (45) **Date of Patent:** **\*\* Sep. 6, 2022**

(54) **TOGGLE SWITCH WITH VARIABLE ACTUATOR CONTROL**

(71) Applicant: **Pass & Seymour, Inc.**, Syracuse, NY (US)

(72) Inventors: **Oleg Dratsch**, Manlius, NY (US); **Patrick J. Murphy**, Marcellus, NY (US); **Alec J. Brindisi**, Syracuse, NY (US); **Theodore P. Junko**, Manlius, NY (US)

D795,205 S \* 8/2017 Lacey ..... D13/169  
D798,827 S \* 10/2017 Lacey ..... D13/169  
D904,987 S \* 12/2020 Choi ..... D13/160  
2007/0217211 A1\* 9/2007 Hewson ..... H01H 9/182  
362/430  
2010/0175973 A1\* 7/2010 Mathew ..... H01H 23/025  
200/339  
2014/0151203 A1\* 6/2014 Gouhl ..... H01H 11/0006  
200/303

(Continued)

OTHER PUBLICATIONS

(73) Assignee: **Pass & Seymour, Inc.**, Syracuse, NY (US)

Leviton Toggle Slide Universal Dimmer. Date: Nov. 21, 2016. [online]. [Site visited Feb. 2, 2021], Available from Internet URL: <https://www.amazon.com/dp/B01M5DIMZM/> (Year: 2016).\*

(\*\*) Term: **15 Years**

(Continued)

(21) Appl. No.: **29/714,879**

*Primary Examiner* — Susan Bennett Hattan

(22) Filed: **Nov. 26, 2019**

*Assistant Examiner* — Landon Thomas Cassell

(51) **LOC (13) Cl.** ..... **13-03**

(74) *Attorney, Agent, or Firm* — Bond, Schoeneck & King, PLLC; Frederick Price

(52) **U.S. Cl.**

USPC ..... **D13/169**; D13/170

(58) **Field of Classification Search**

USPC ..... D13/158, 159, 162, 164, 165, 169, 170, D13/171, 173, 174, 177, 184, 199, 125, D13/160, 123, 176, 124, 137.2, 137.1, D13/133, 134, 139.1, 139.3, 139.4, 139.6, D13/152, 154, 137.3; D8/353

CPC ..... H01H 3/02; H01H 3/0213; H01H 13/00; H01H 13/04; H01H 13/12; H01H 15/00

See application file for complete search history.

(57) **CLAIM**

The ornamental design for a toggle switch with variable actuator control, as shown and described.

**DESCRIPTION**

FIG. 1 is a first isometric view illustrating the toggle switch with variable actuator control;  
FIG. 2 is a front plan view thereof;  
FIG. 3 is a rear plan view thereof;  
FIG. 4 is a left side view thereof;  
FIG. 5 is a right side view thereof;  
FIG. 6 is a top side view thereof;  
FIG. 7 is a bottom side view thereof; and,  
FIG. 8 is a second isometric view thereof.

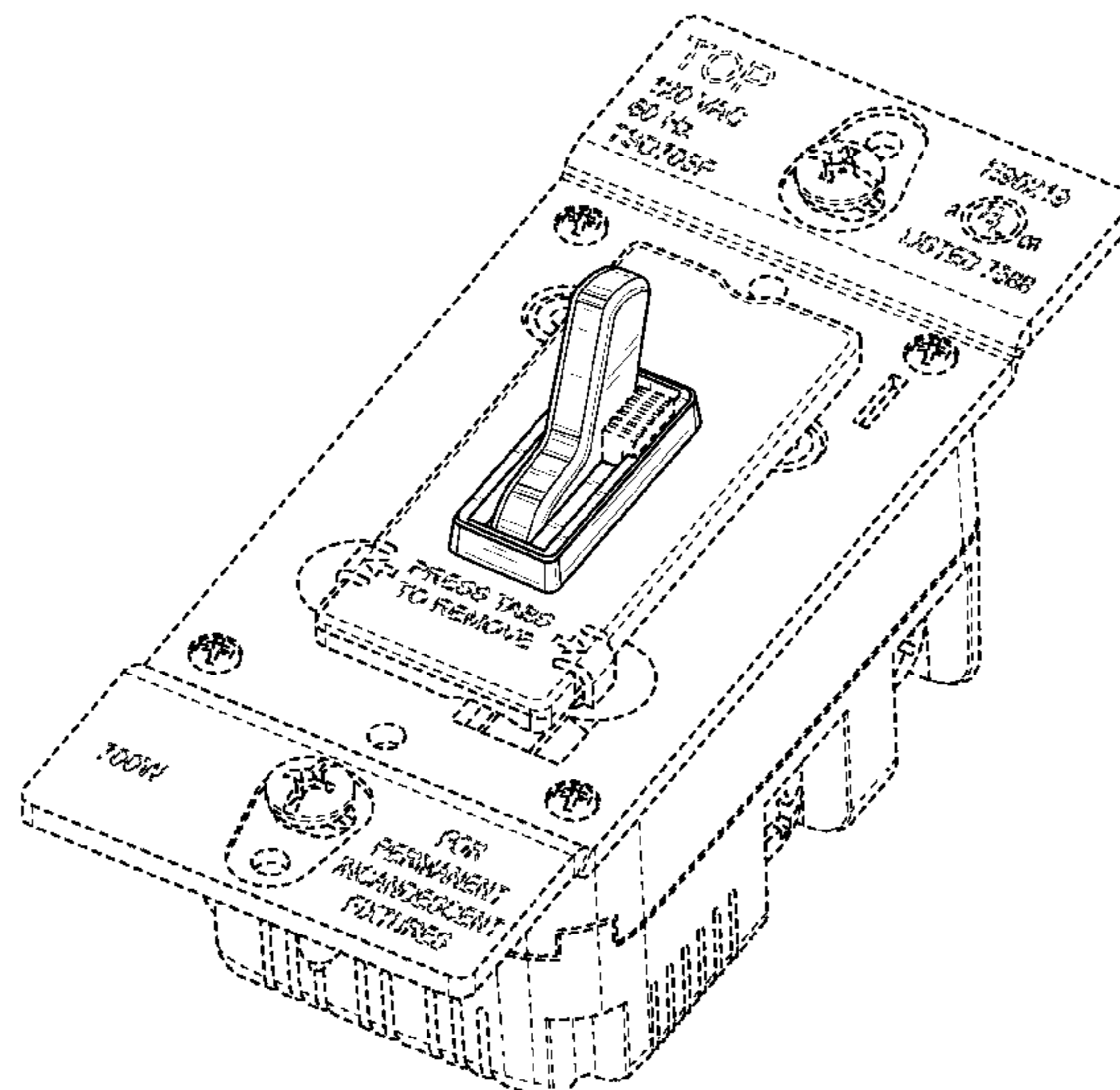
The broken lines depict portions of the toggle switch with variable actuator control and form no part of the claimed design.

(56) **References Cited**

U.S. PATENT DOCUMENTS

5,262,678 A \* 11/1993 Flowers ..... H01H 3/0213  
307/125  
D342,234 S \* 12/1993 Graybill, Jr. .... D13/169  
6,313,403 B1 \* 11/2001 Livingston ..... H01H 9/12  
174/51  
D566,052 S \* 4/2008 Ochs ..... D13/170  
D795,204 S \* 8/2017 Lacey ..... D13/169

**1 Claim, 8 Drawing Sheets**



(56)

**References Cited**

U.S. PATENT DOCUMENTS

2020/0161841 A1\* 5/2020 Murphy ..... H01H 21/22

OTHER PUBLICATIONS

Lutron 3-Way Dimmer. Date: Dec. 31, 2006 [online]. [Site visited Feb. 2, 2021]. Available from Internet URL: <https://www.amazon.com/dp/B000MASMU8/> (Year: 2006).\*

Eaton 3-Way & Single Pole Toggle Dimmer. Date: Oct. 23, 2017. [online]. [Site visited Feb. 2, 2021], Available from Internet URL: <https://www.amazon.com/dp/B076PNRRCZ/> (Year: 2017).\*

Legrand Toggle Slide Dimmer. Date: Aug. 20, 2019. [online]. [Site visited Jul. 22, 2021], Available from Internet URL: <https://www.amazon.com/dp/B07VG9XY46/> (Year: 2019).\*

GE Grounding Toggle Switch. Date: Dec. 18, 2013. [online]. [Site visited Feb. 2, 2021], Available from Internet URL: <https://www.amazon.com/dp/B00HECY3W8/> (Year: 2013).\*

\* cited by examiner

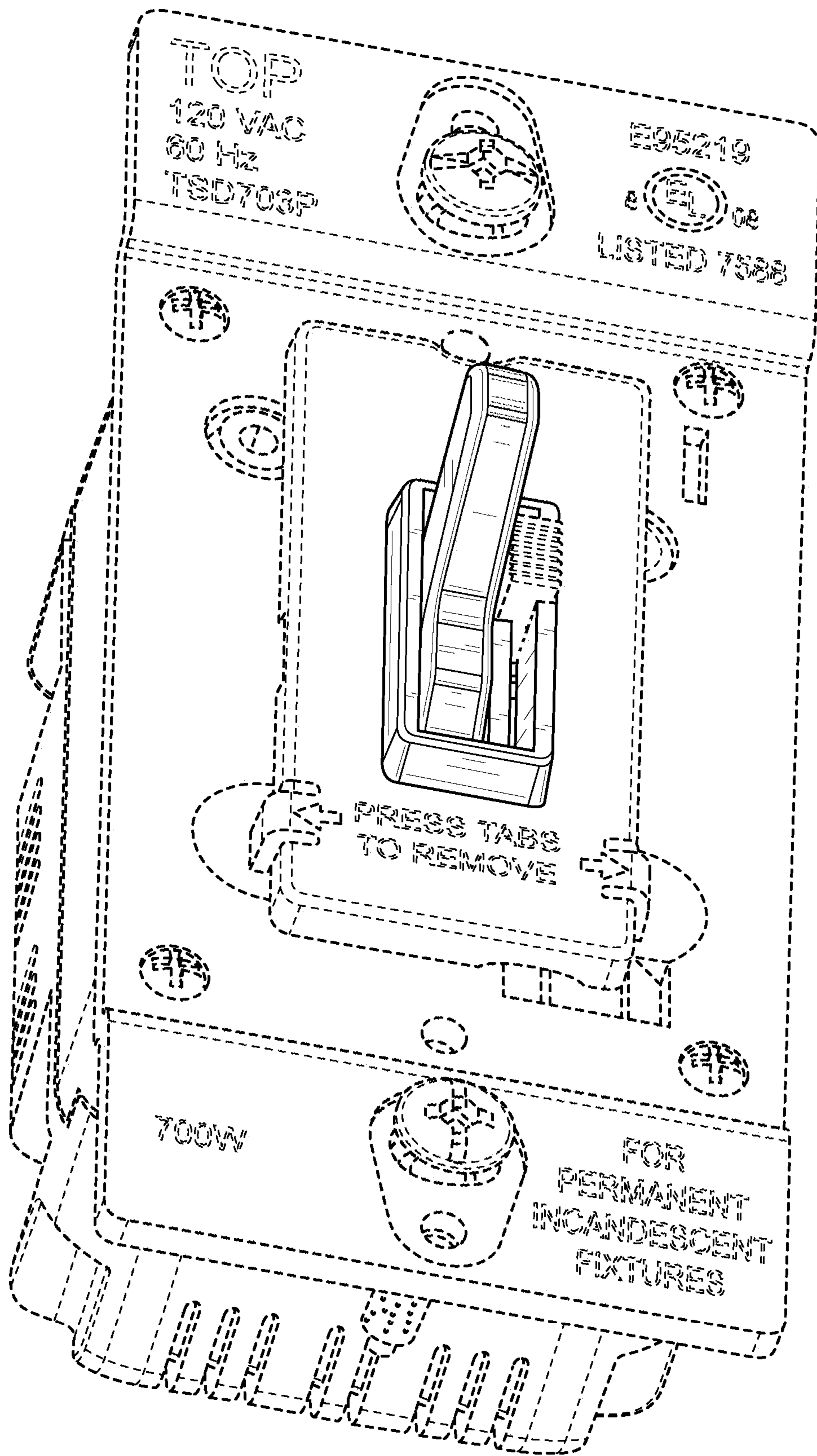


FIG. 1

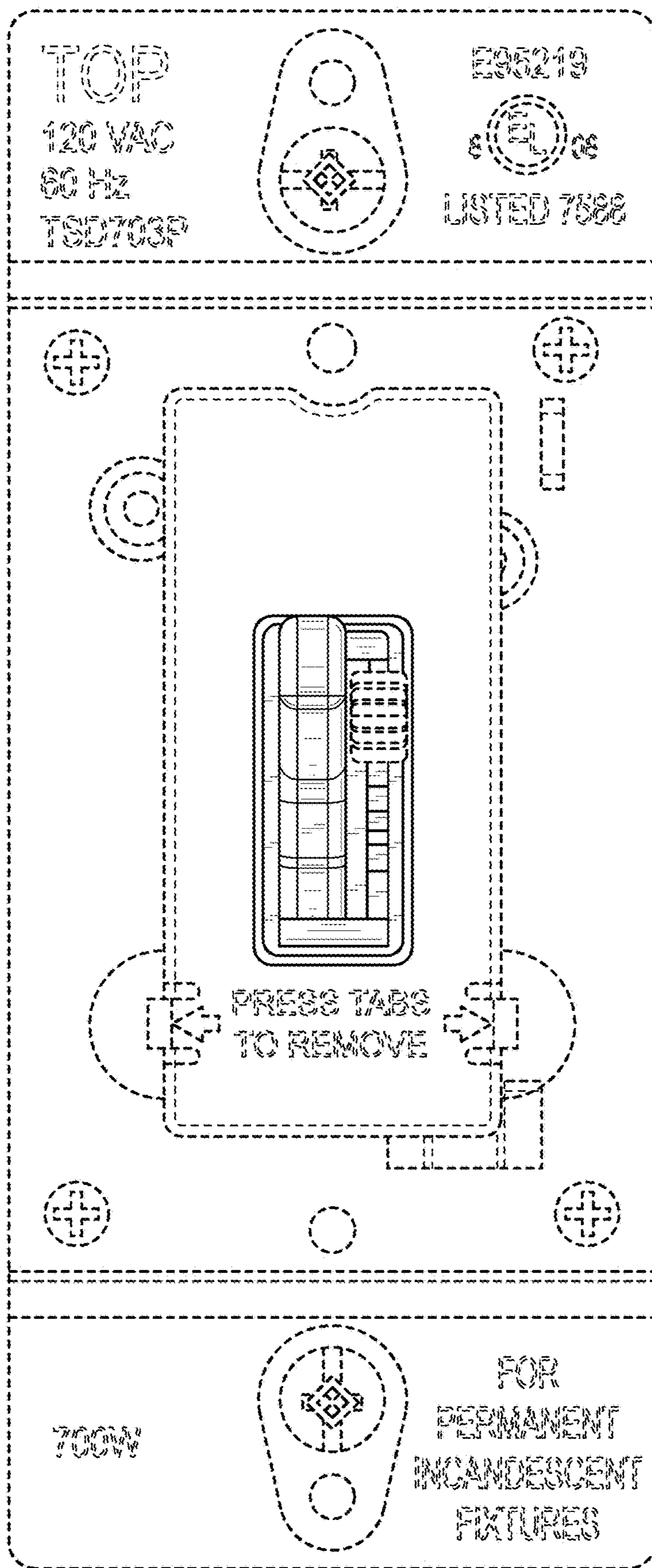


FIG. 2

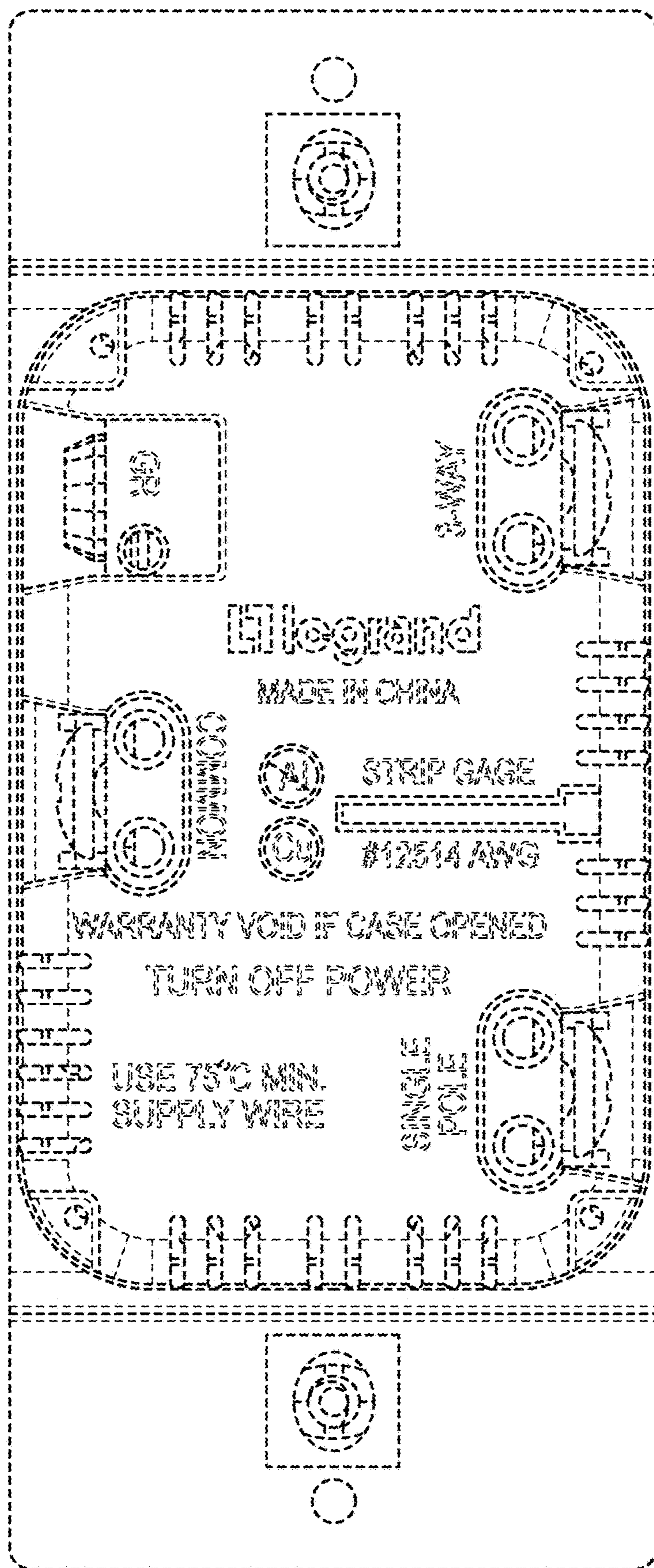


FIG. 3

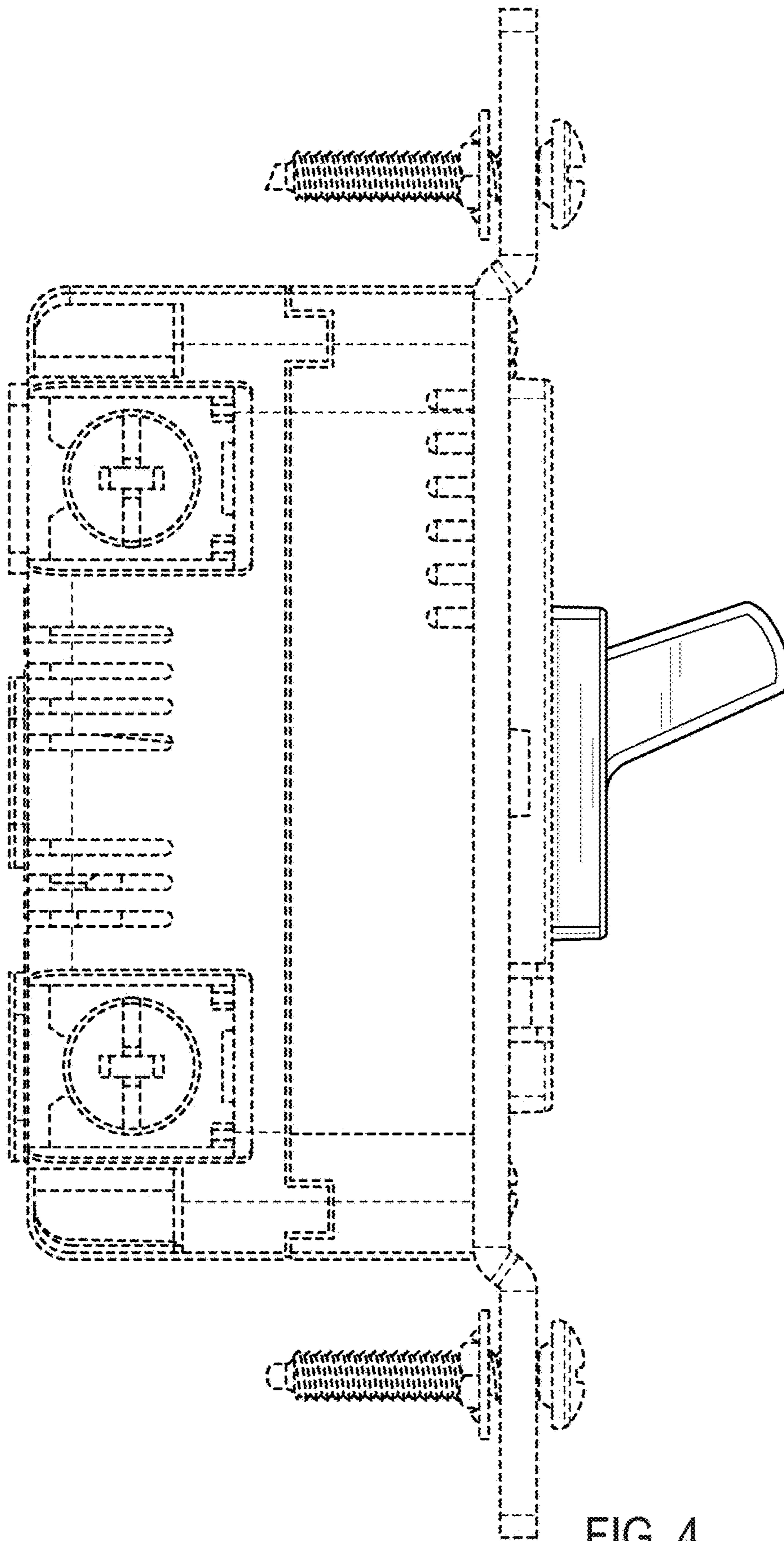


FIG. 4

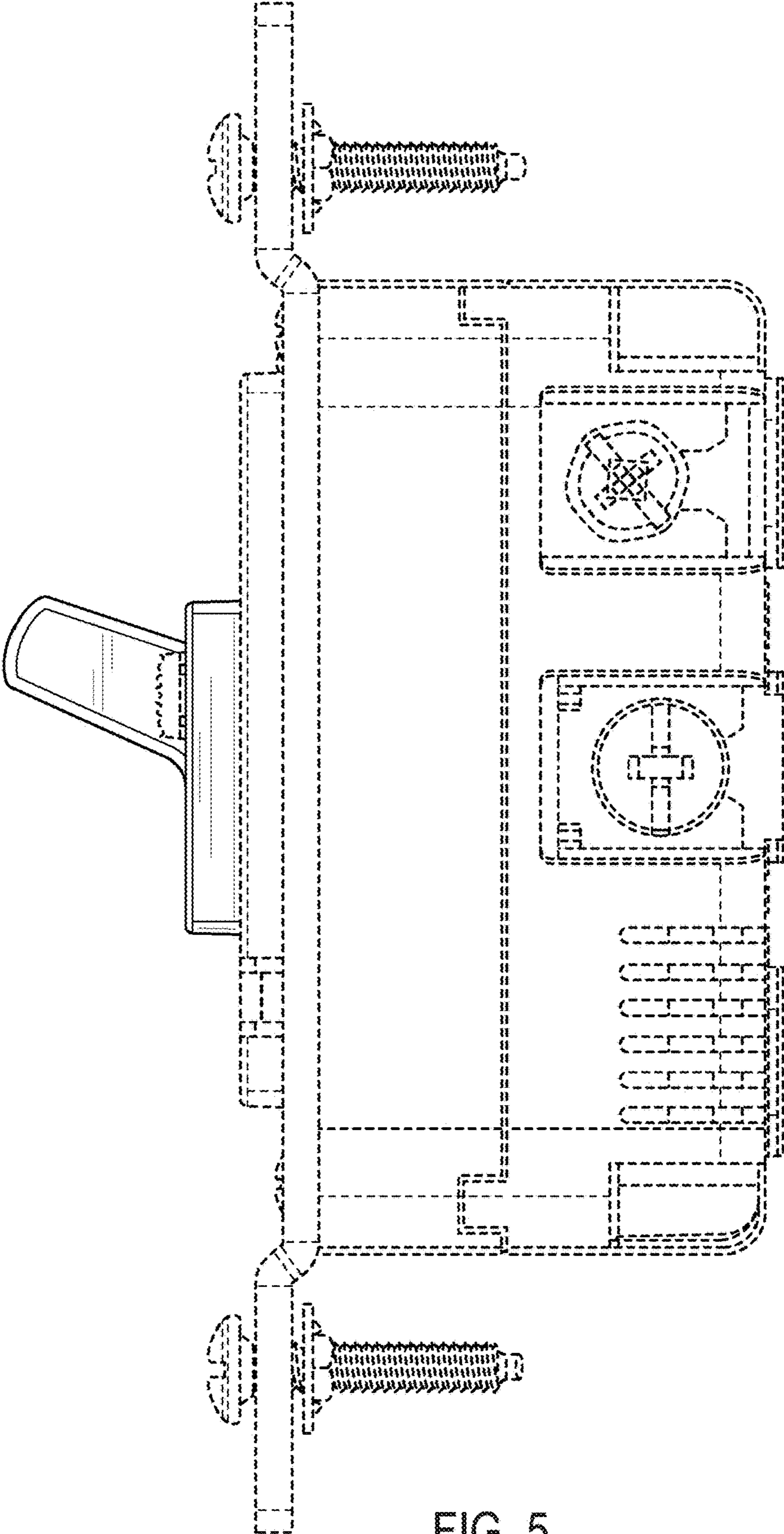


FIG. 5

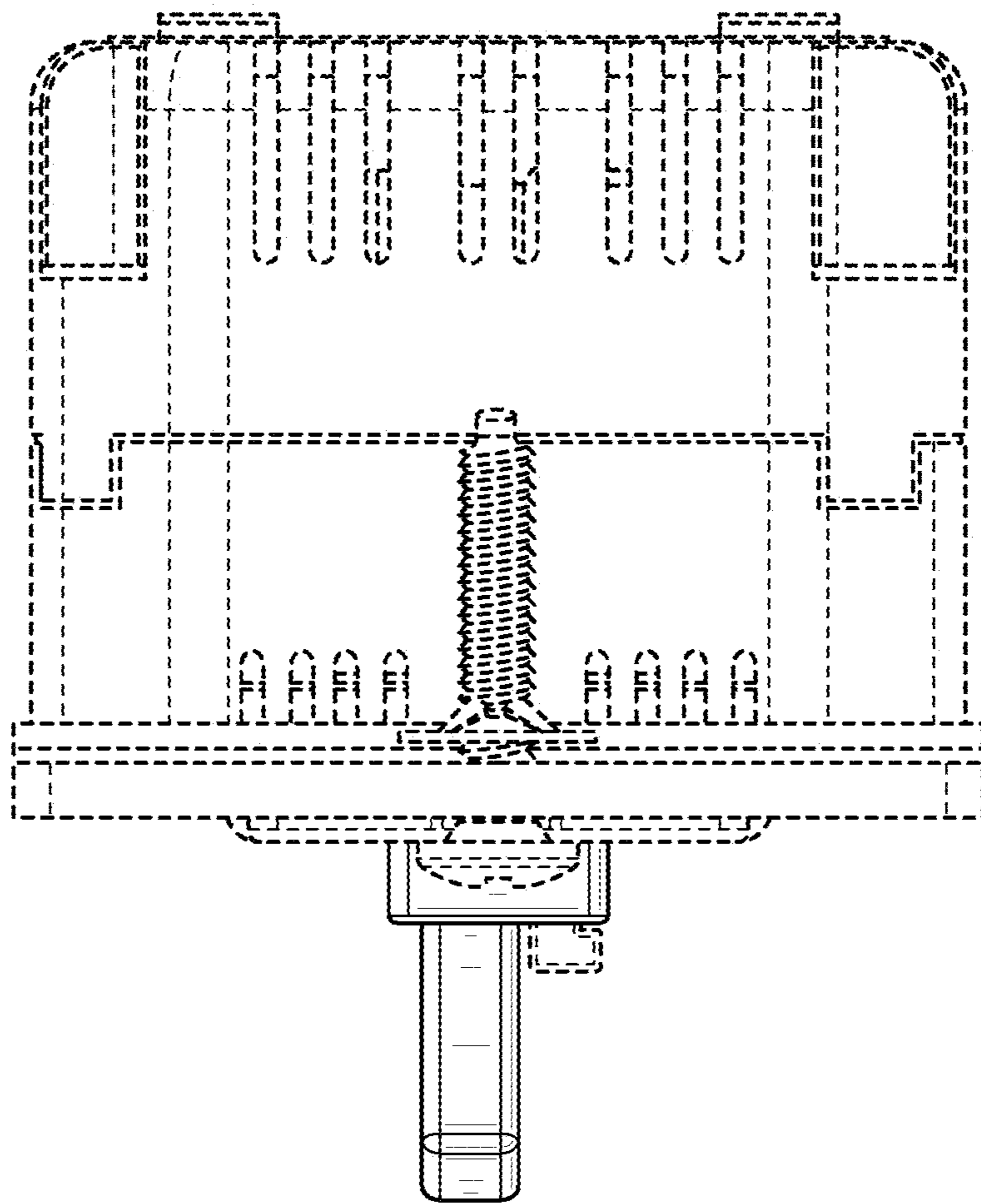


FIG. 6



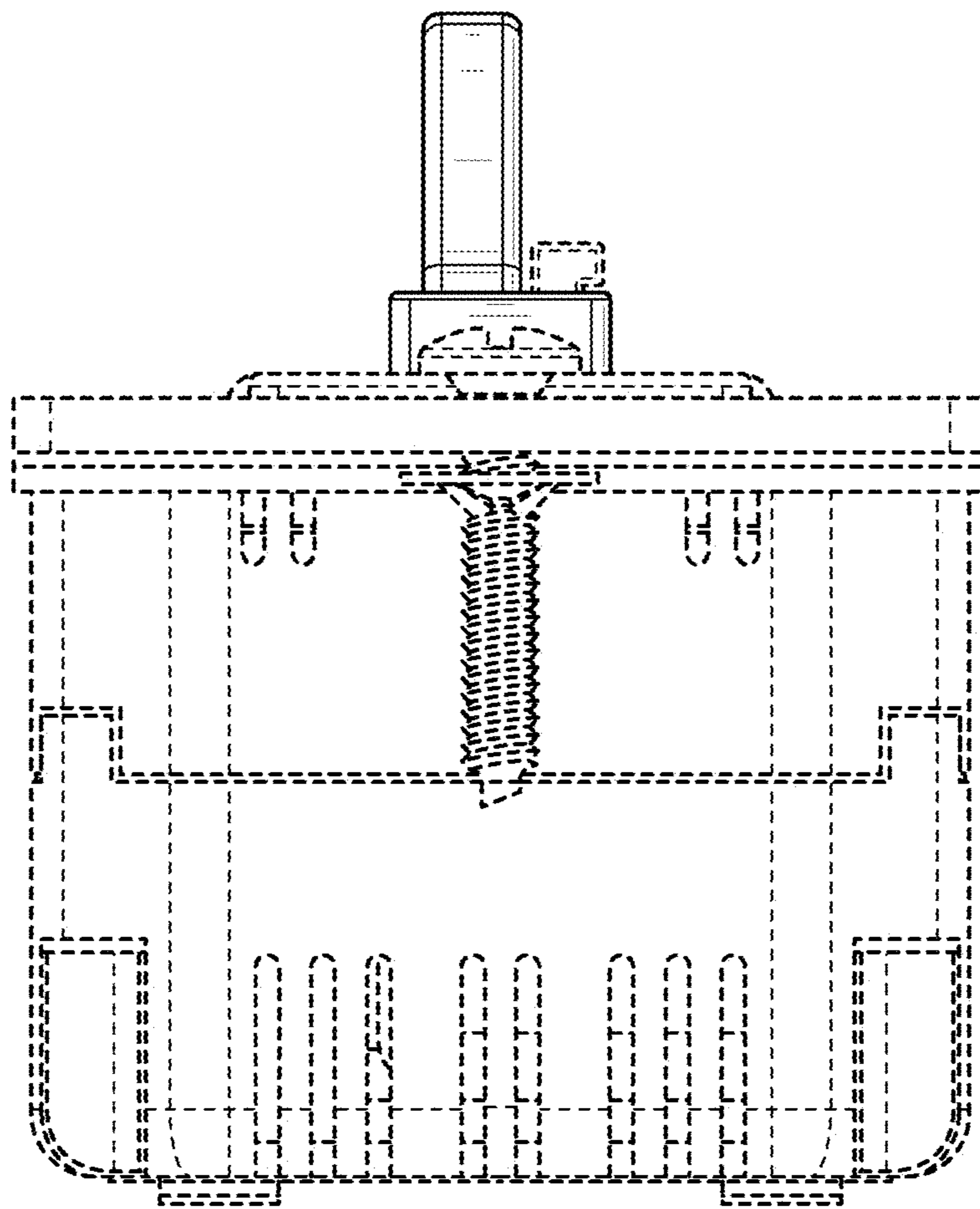


FIG. 7

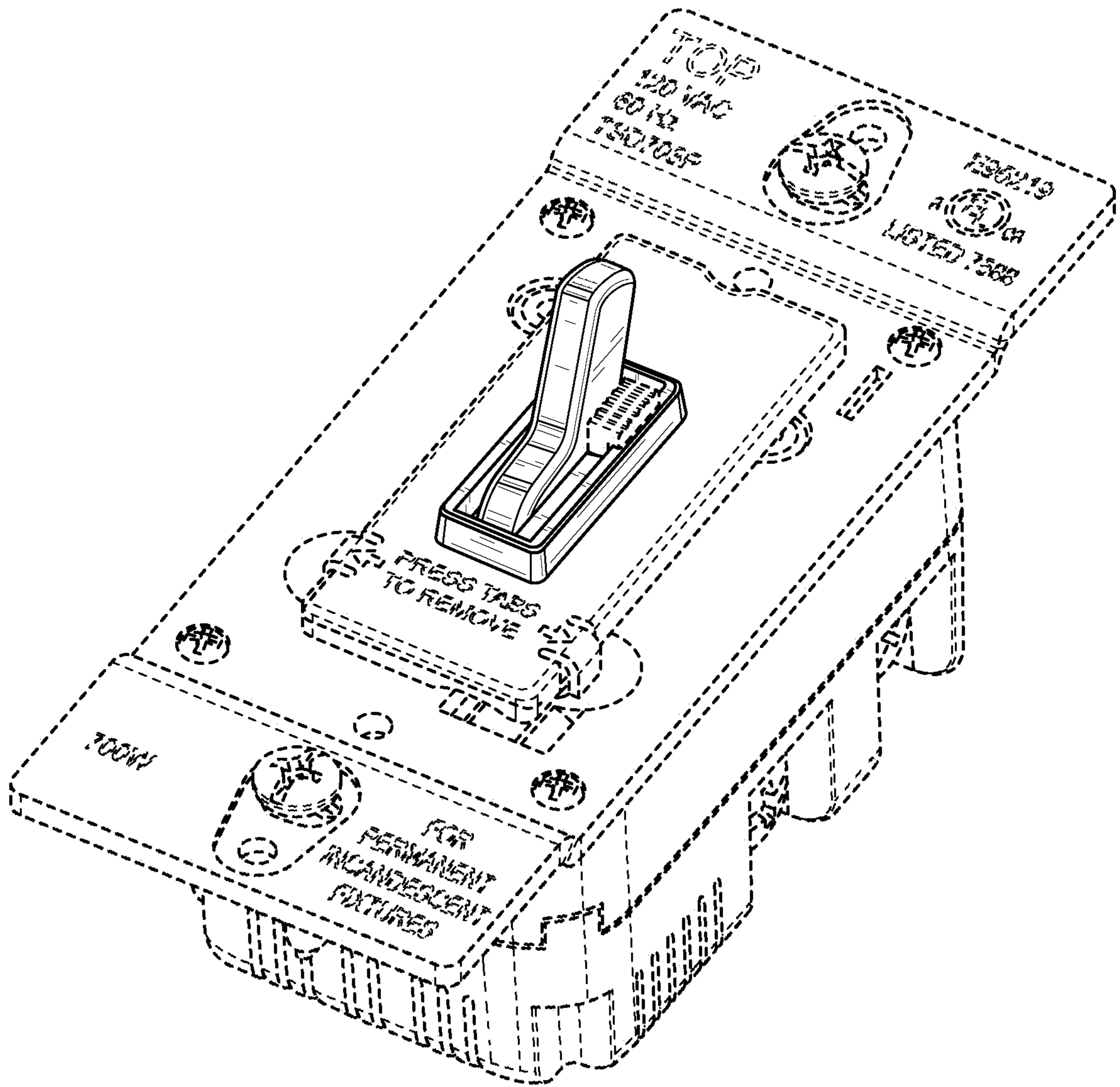


FIG. 8