

US00D962876S

(12) **United States Design Patent**  
**Altonen et al.**

(10) **Patent No.:** **US D962,876 S**  
(45) **Date of Patent:** **\*\* Sep. 6, 2022**

(54) **REMOTE CONTROL**

(71) Applicant: **Lutron Technology Company LLC**,  
Coopersburg, PA (US)

(72) Inventors: **Gregory Altonen**, Easton, PA (US);  
**Chris Dimberg**, Easton, PA (US);  
**Jason C. Killo**, Emmaus, PA (US);  
**Matthew Philip McDonald**,  
Phoenixville, PA (US); **Daniel L.**  
**Twaddell**, Allentown, PA (US)

(73) Assignee: **Lutron Technology Company LLC**,  
Coopersburg, PA (US)

(\*\*) Term: **15 Years**

(21) Appl. No.: **29/812,465**

(22) Filed: **Oct. 21, 2021**

**Related U.S. Application Data**

(63) Continuation of application No. 29/771,303, filed on  
Feb. 22, 2021, now Pat. No. Des. 936,617, which is  
a continuation of application No. 29/640,715, filed on  
Mar. 16, 2018, now Pat. No. Des. 913,254.

(51) **LOC (13) Cl.** ..... **14-03**

(52) **U.S. Cl.**  
USPC ..... **D13/168**

(58) **Field of Classification Search**  
USPC ..... D13/162, 168, 169, 173, 174  
CPC ..... H01H 9/02; H01H 9/0271; H01H 9/16;  
H01H 9/18; H01H 9/161; H01H 9/181;  
H01H 9/182; H01H 13/04; H01H 13/14;  
H01H 13/20; H01H 13/30; H01H 19/635;  
H01H 83/02; H01H 83/04; H01H 83/144;  
H01H 23/00; H01H 23/02; H01H 23/025;

(Continued)

(56) **References Cited**

**U.S. PATENT DOCUMENTS**

D315,145 S 3/1991 Pearlman et al.  
5,696,350 A 12/1997 Anker  
5,895,888 A 4/1999 Arenas et al.

(Continued)

**FOREIGN PATENT DOCUMENTS**

EM 002144899-0001 2/2013  
EM 002144899-0002 2/2013

(Continued)

**OTHER PUBLICATIONS**

iDevices LLC, The iDevices Advantage, specification sheet, avail-  
able at least as early as 2017 (21 pages).

*Primary Examiner* — Selina Sikder

(74) *Attorney, Agent, or Firm* — Saidman DesignLaw  
Group, LLC

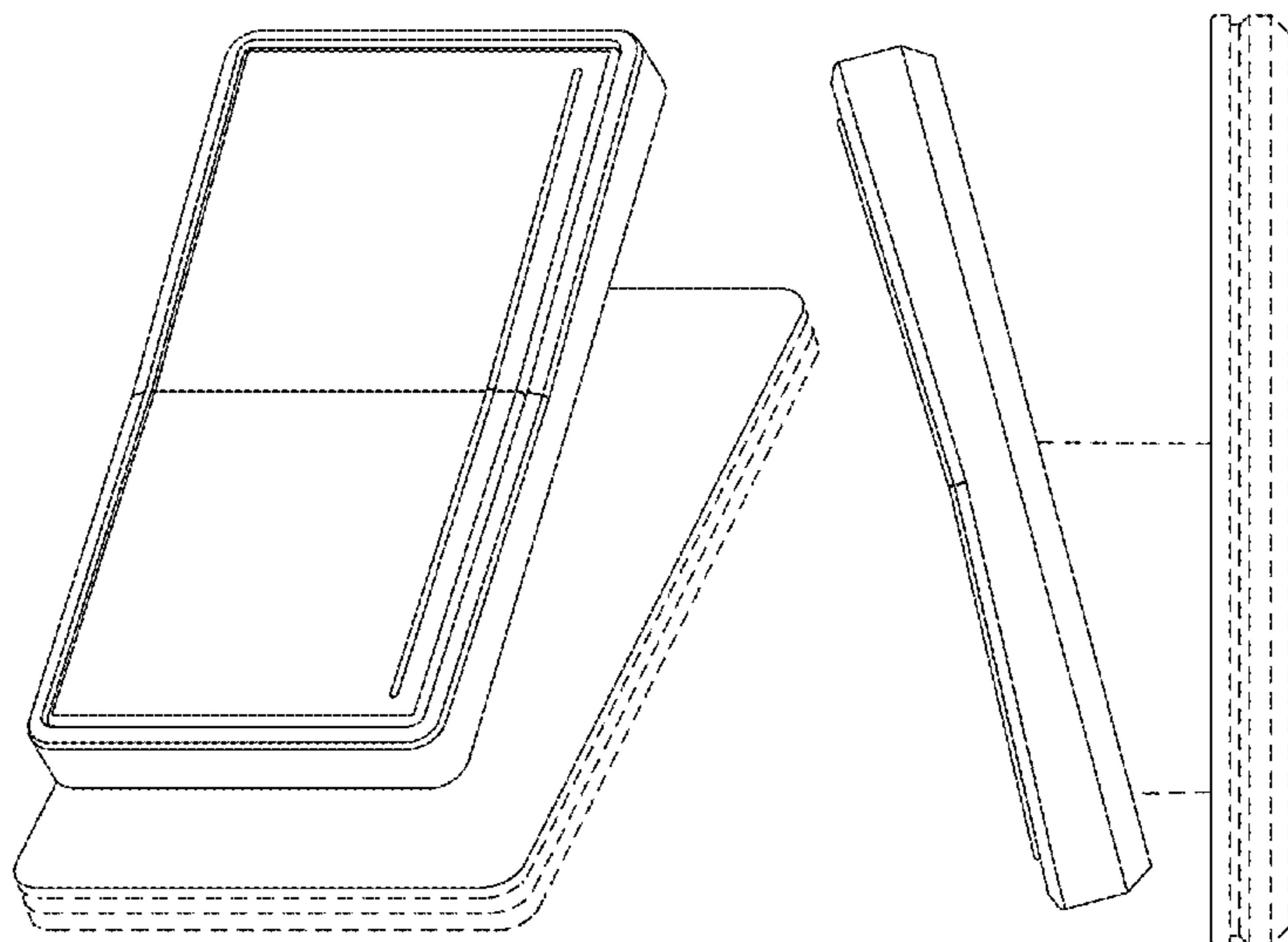
(57) **CLAIM**

The ornamental design for a remote control, as shown and  
described.

**DESCRIPTION**

FIG. 1 is a front perspective view of a remote control  
showing our new design;  
FIG. 2 is a front view thereof;  
FIG. 3 is a left side view thereof;  
FIG. 4 is a right side view thereof;  
FIG. 5 is a top view thereof;  
FIG. 6 is a bottom view thereof;  
FIG. 7 is a front perspective view of a second embodiment  
thereof;  
FIG. 8 is a front view thereof;  
FIG. 9 is a left side view thereof;  
FIG. 10 is a right side view thereof;  
FIG. 11 is a top view thereof; and,  
FIG. 12 is a bottom view thereof.  
The broken lines illustrate structure or features which form  
no part of the claimed design.

**1 Claim, 8 Drawing Sheets**



# US D962,876 S

Page 2

(58) **Field of Classification Search**  
CPC .... H01H 23/04; H01H 23/145; H01H 23/148;  
H01H 23/205; H01H 23/30  
See application file for complete search history.

D892,065 S \* 8/2020 Dimberg ..... H05B 47/11  
D13/174

D913,254 S 3/2021 Altonen et al.  
D933,027 S 10/2021 Altonen et al.  
D933,030 S \* 10/2021 Dimberg ..... H05B 47/105  
D13/174

(56) **References Cited**

D936,617 S \* 11/2021 Altonen ..... D13/173

## U.S. PATENT DOCUMENTS

2010/0214756 A1 8/2010 Feldstein  
2012/0292174 A1 11/2012 Mah et al.  
2017/0278383 A1 9/2017 Dimberg et al.  
2017/0278647 A1 9/2017 Dimberg et al.  
2017/0278652 A1 9/2017 Dimberg et al.  
2017/0280533 A1 9/2017 Dimberg et al.  
2017/0352506 A1 12/2017 Dimberg  
2020/0020490 A1 1/2020 Dimberg et al.  
2020/0037422 A1 1/2020 Shivell  
2020/0144007 A1 5/2020 Shivell  
2020/0382120 A1\* 12/2020 Brogan ..... H01H 23/145  
2021/0013706 A1 1/2021 Richter et al.

6,005,308 A 12/1999 Bryde et al.  
7,049,537 B1 5/2006 Shotey et al.  
D572,202 S 7/2008 Jacoby et al.  
D583,335 S 12/2008 Ni  
7,667,155 B1 2/2010 Ni et al.  
D619,544 S \* 7/2010 Petrillo ..... D13/168  
D627,308 S \* 11/2010 Snyder ..... D13/168  
D631,855 S \* 2/2011 Blair ..... D13/168  
D649,122 S 11/2011 Jacoby et al.  
D655,254 S \* 3/2012 Jacoby ..... D13/168  
D692,398 S 10/2013 Felegy, Jr. et al.  
D694,197 S 11/2013 Felegy, Jr. et al.  
D694,716 S 12/2013 Felegy, Jr. et al.  
D712,846 S \* 9/2014 Creasman ..... D13/174  
D733,075 S 6/2015 Junko et al.  
D740,766 S 10/2015 Falkenberg et al.  
D777,685 S 1/2017 Tannous et al.  
D787,451 S 5/2017 Tress et al.  
D797,061 S 9/2017 Lacey  
9,818,559 B2 11/2017 Tress et al.  
9,838,008 B2 12/2017 Lark, Jr. et al.  
D821,985 S 7/2018 Zheng  
D830,977 S 10/2018 Liao et al.  
10,109,181 B2 10/2018 Dimberg et al.  
10,141,144 B2 11/2018 Zhuang et al.  
D865,682 S \* 11/2019 Dimberg ..... H01H 23/16  
D13/168

## FOREIGN PATENT DOCUMENTS

EM 002144899-0003 2/2013  
EM 002144899-0004 2/2013  
EM 002144899-0005 2/2013  
EM 002144899-0006 2/2013  
EM 002144899-0007 2/2013  
EM 002144899-0008 2/2013  
EM 002144899-0009 2/2013  
EM 002144899-0010 2/2013  
EM 002144899-0011 2/2013  
EM 002144899-0012 2/2013  
EM 002144899-0013 2/2013  
EM 002144899-0014 2/2013

\* cited by examiner

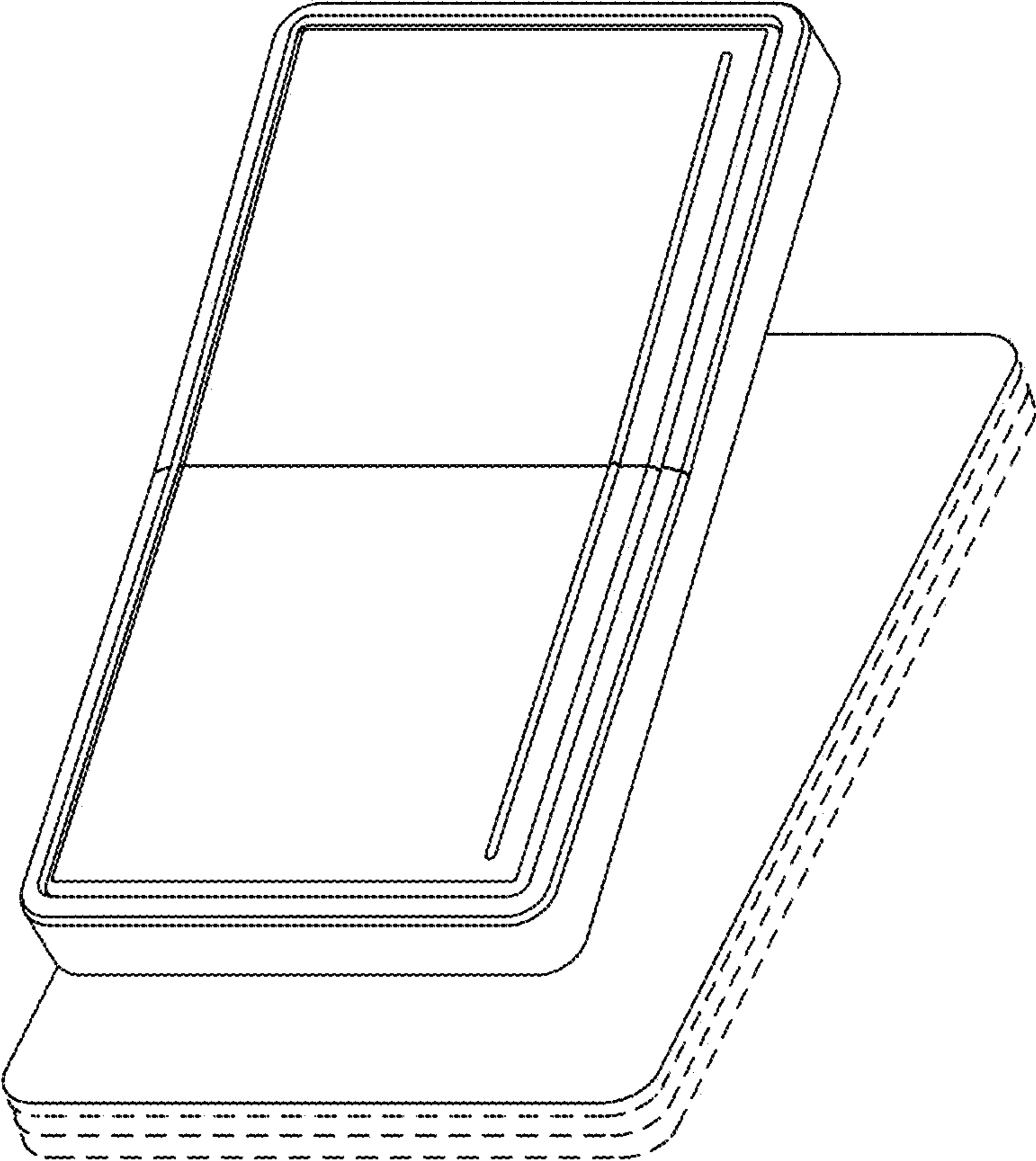


FIG. 1

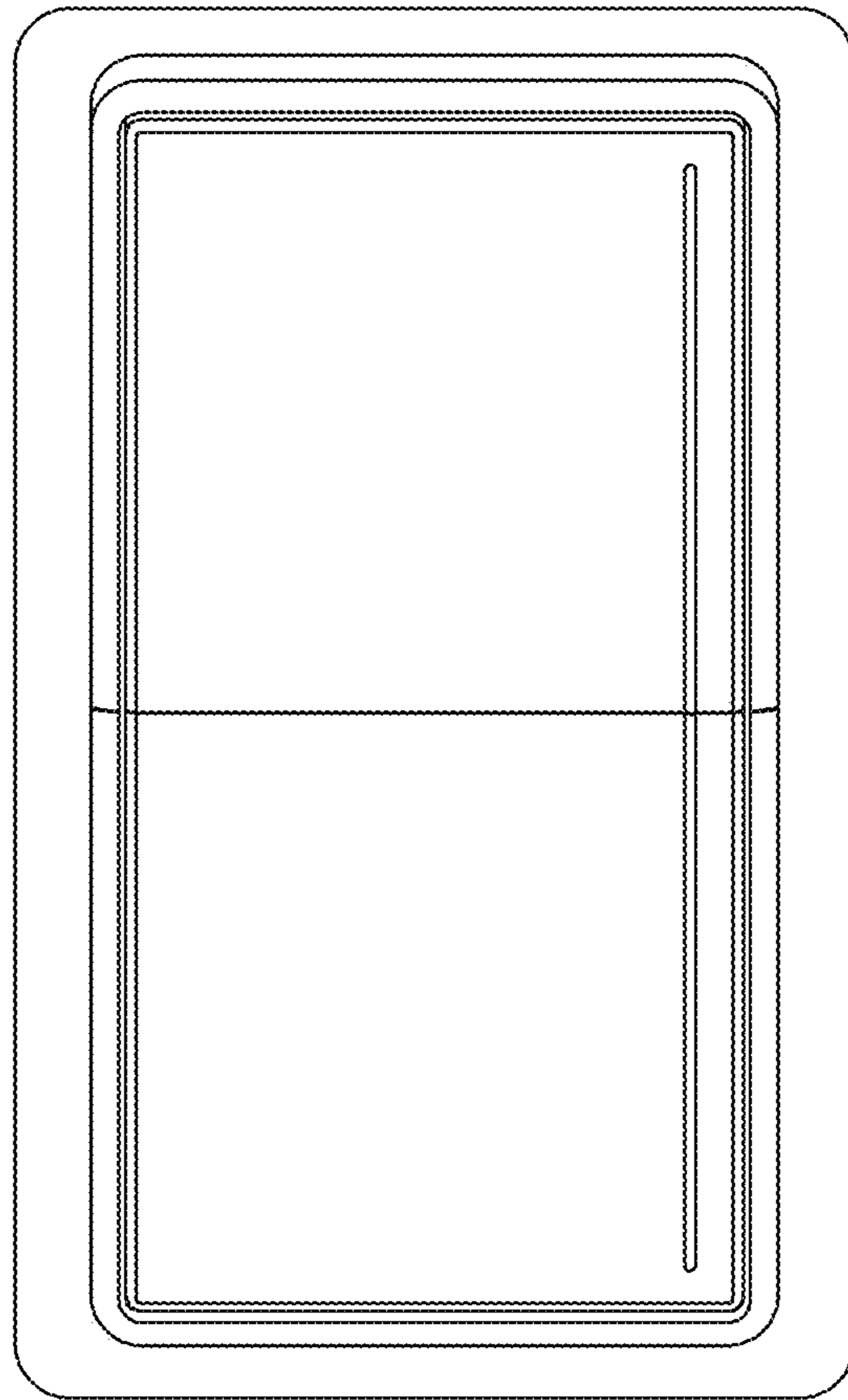


FIG. 2

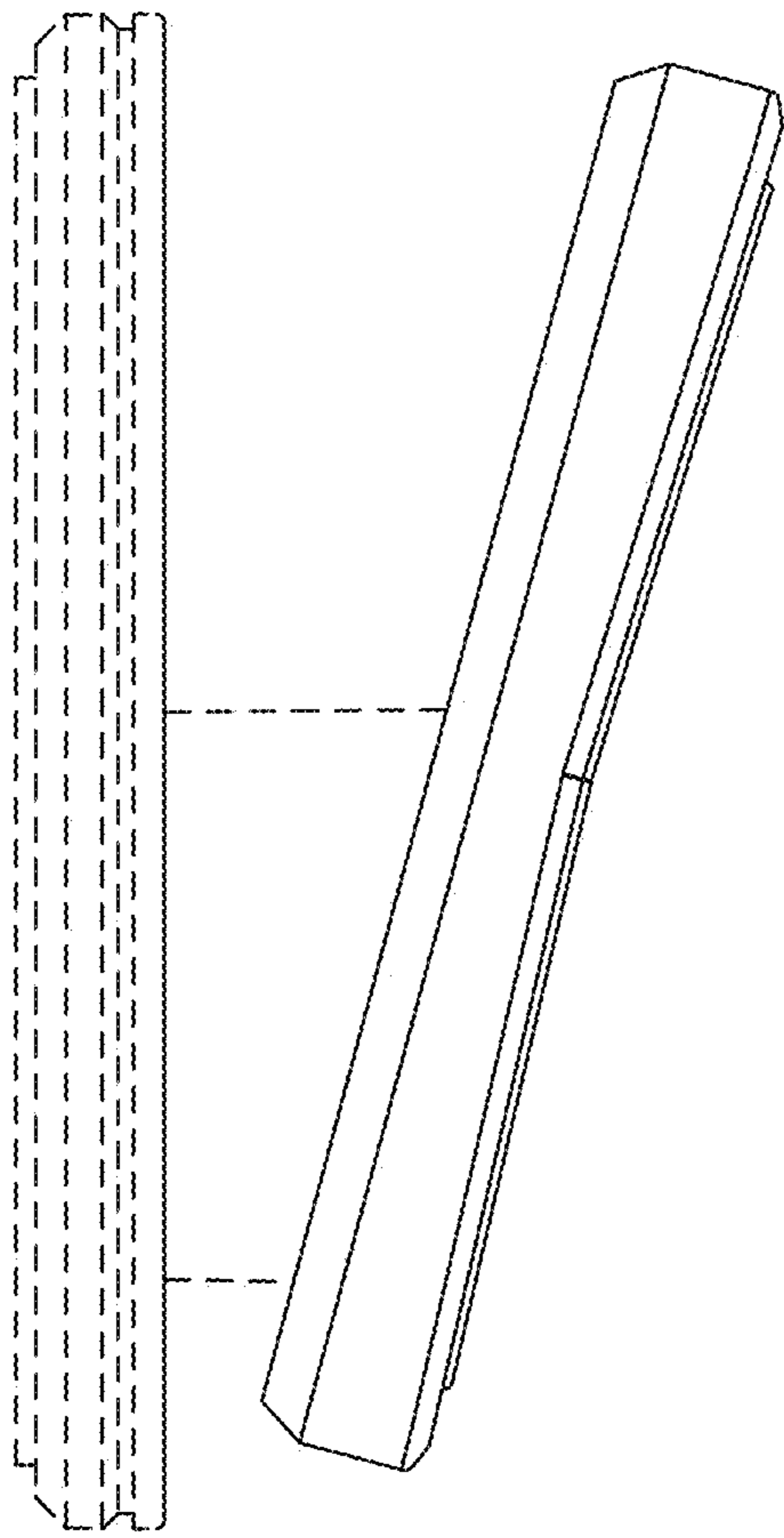


FIG. 3

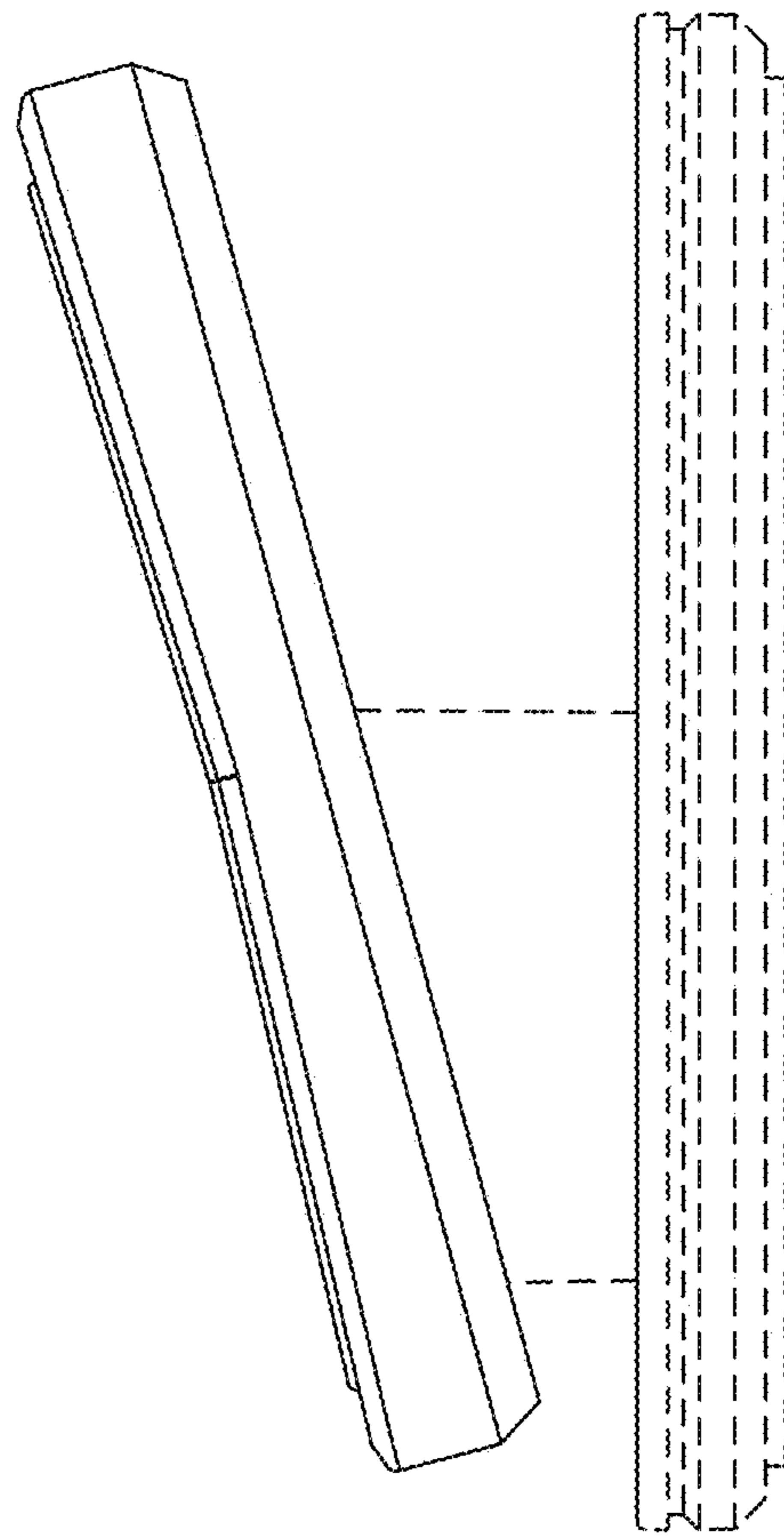


FIG. 4

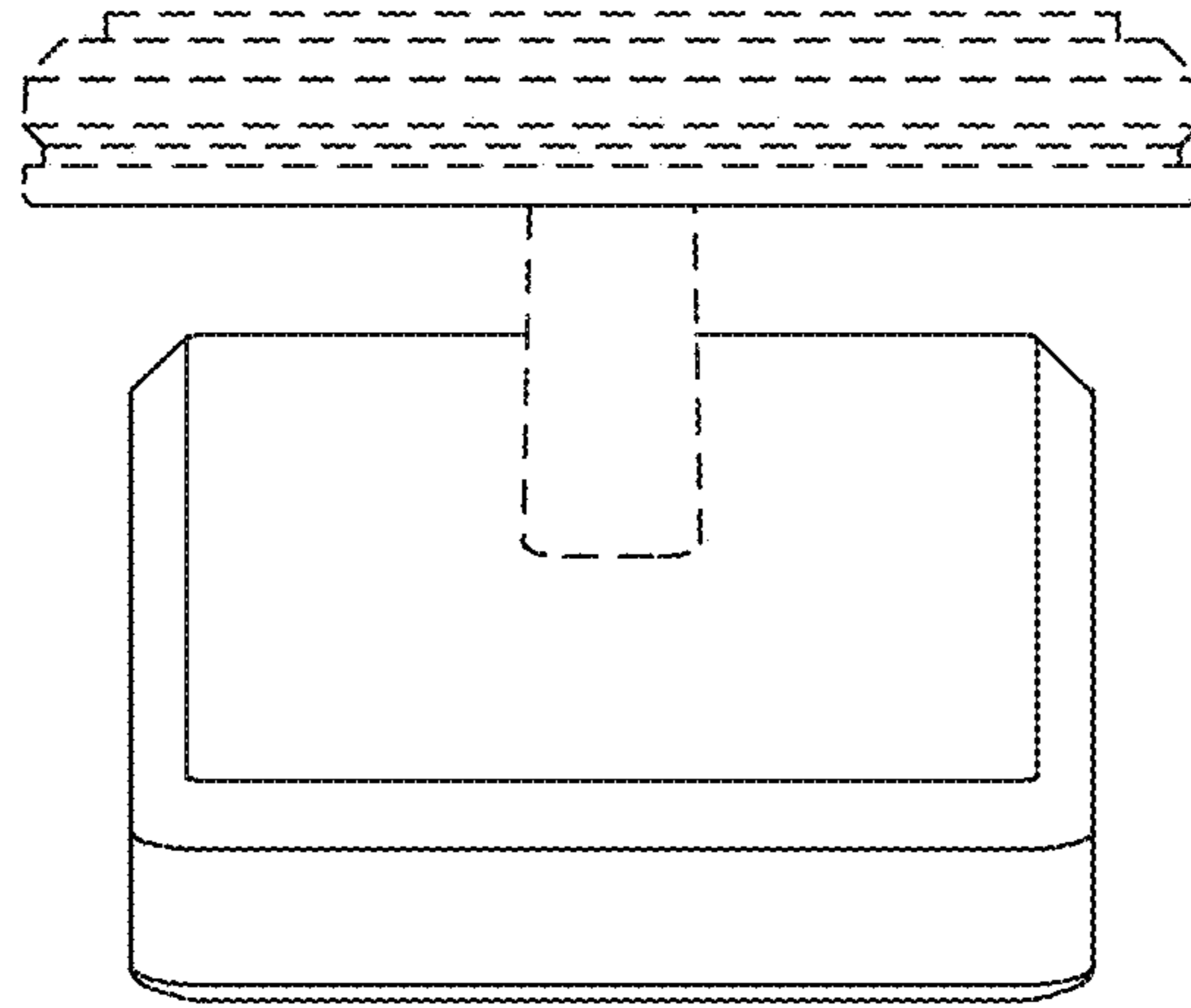


FIG. 5

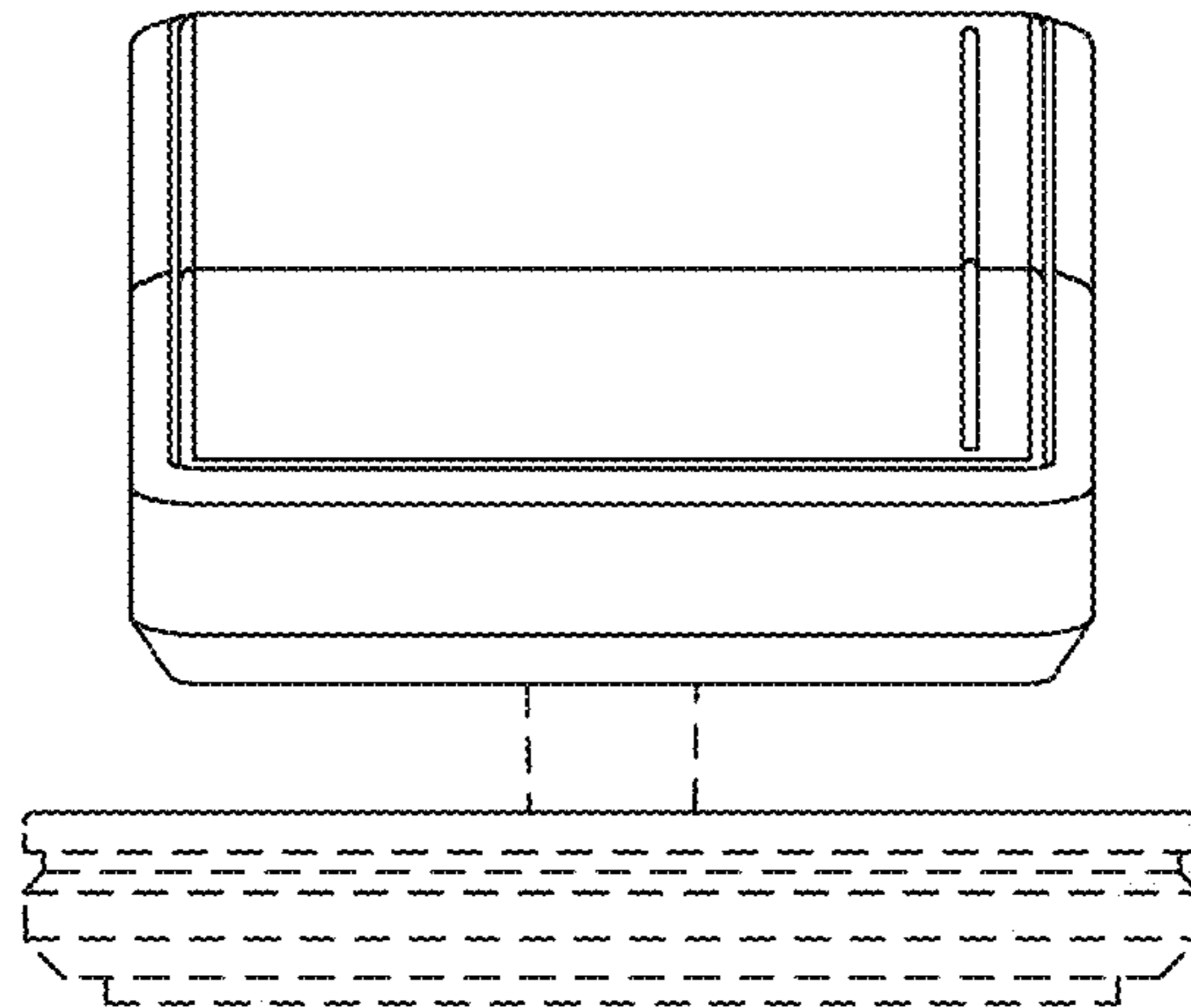


FIG. 6

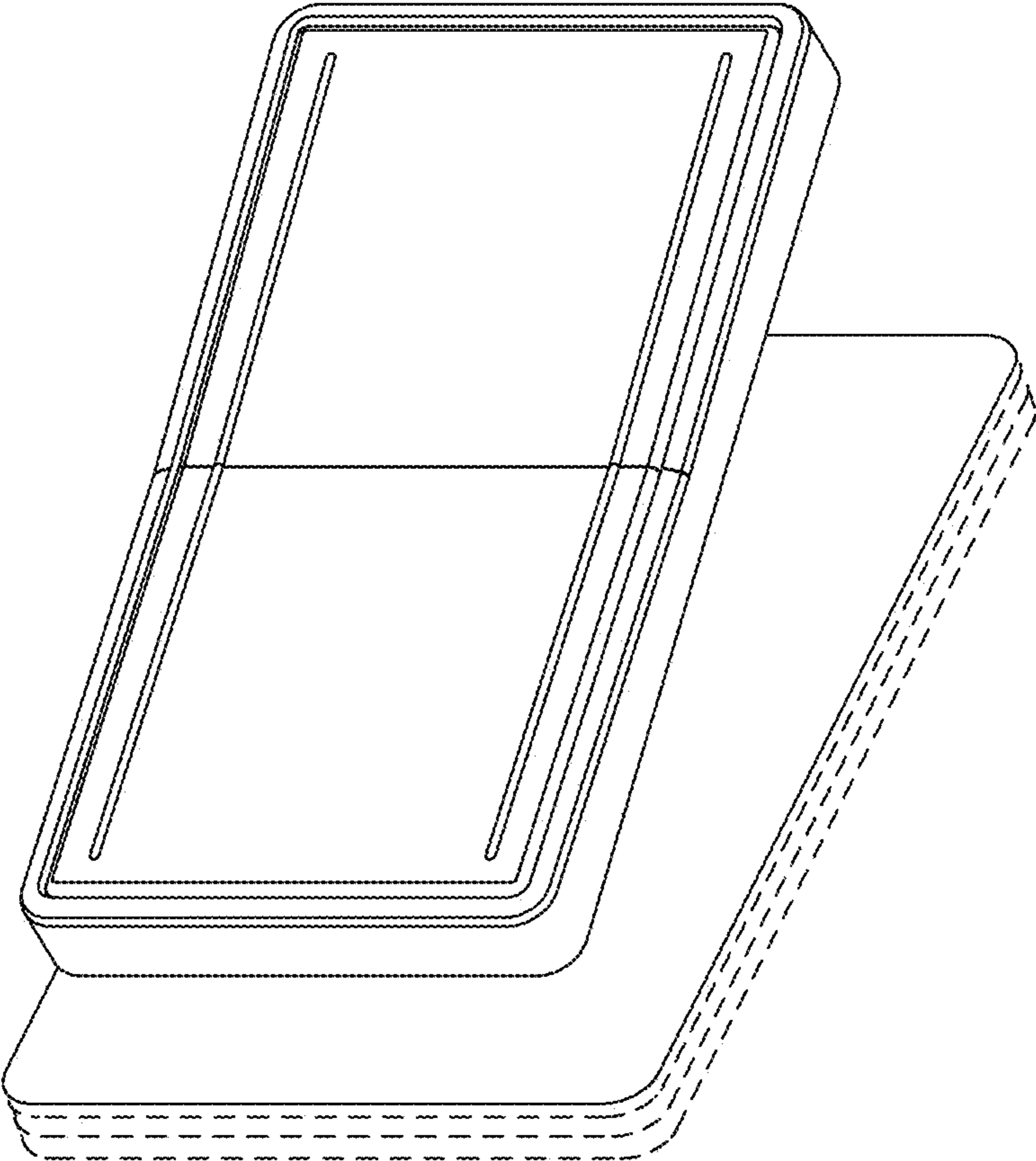


FIG. 7

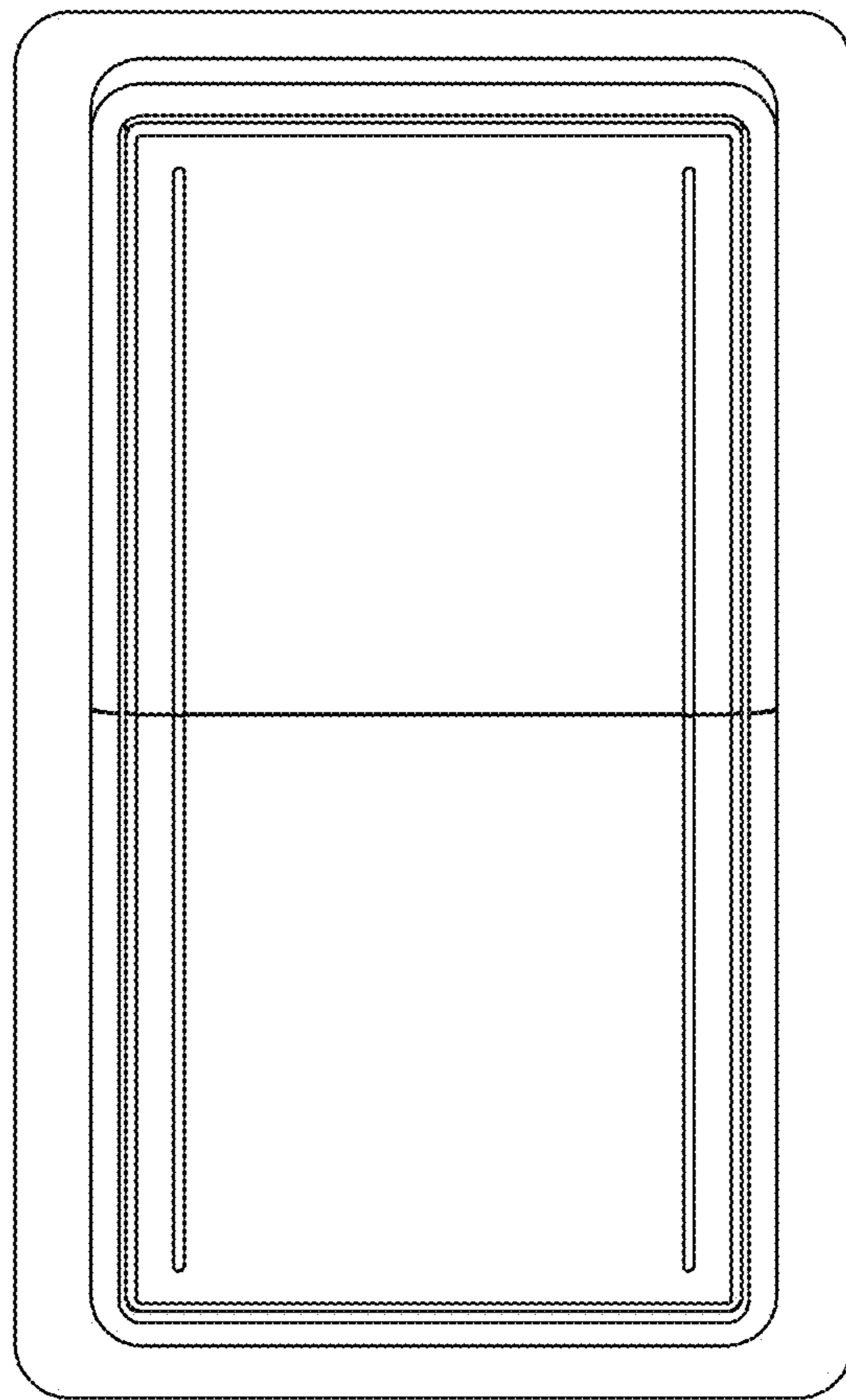


FIG. 8



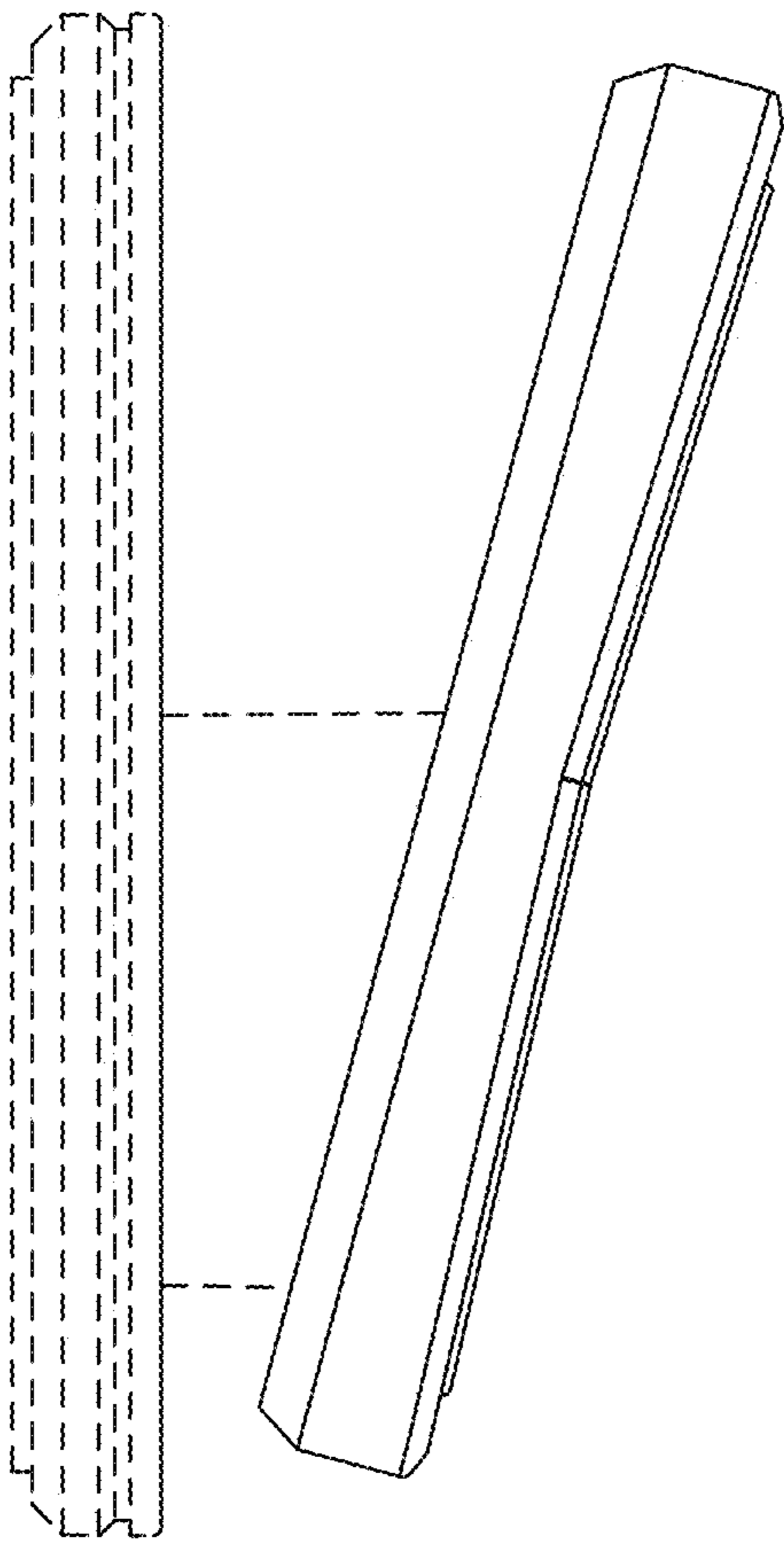


FIG. 9

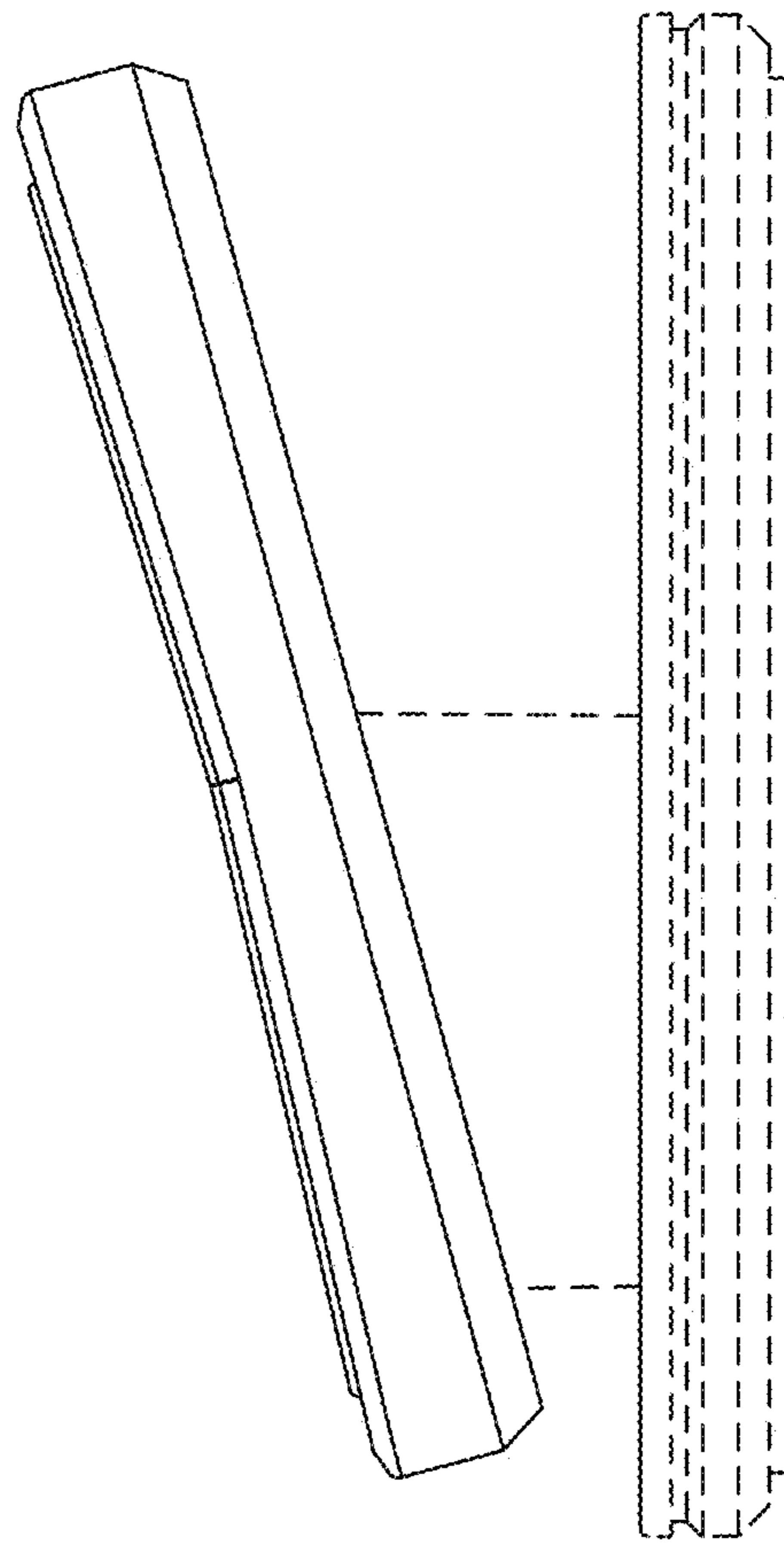


FIG. 10

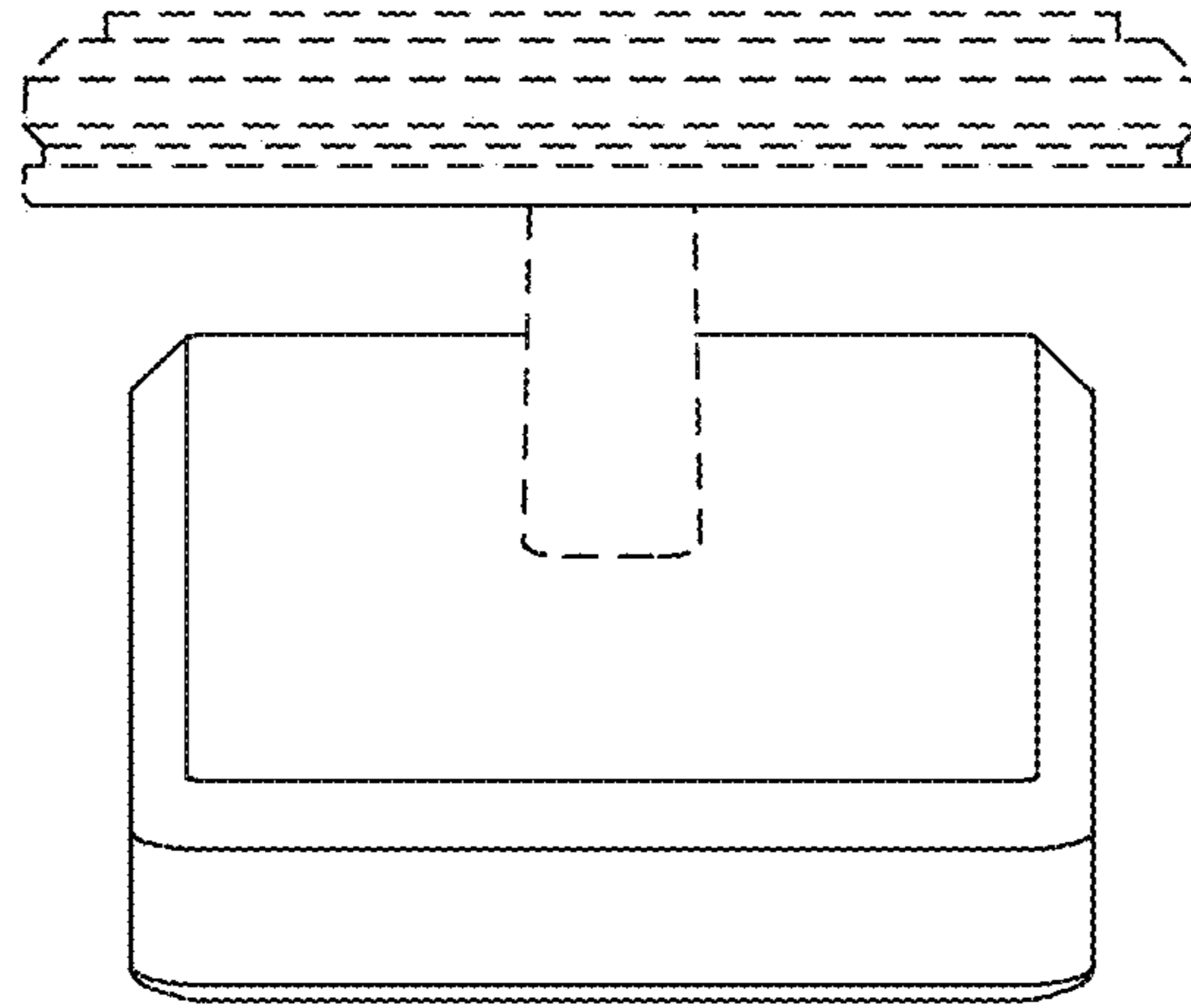


FIG. 11

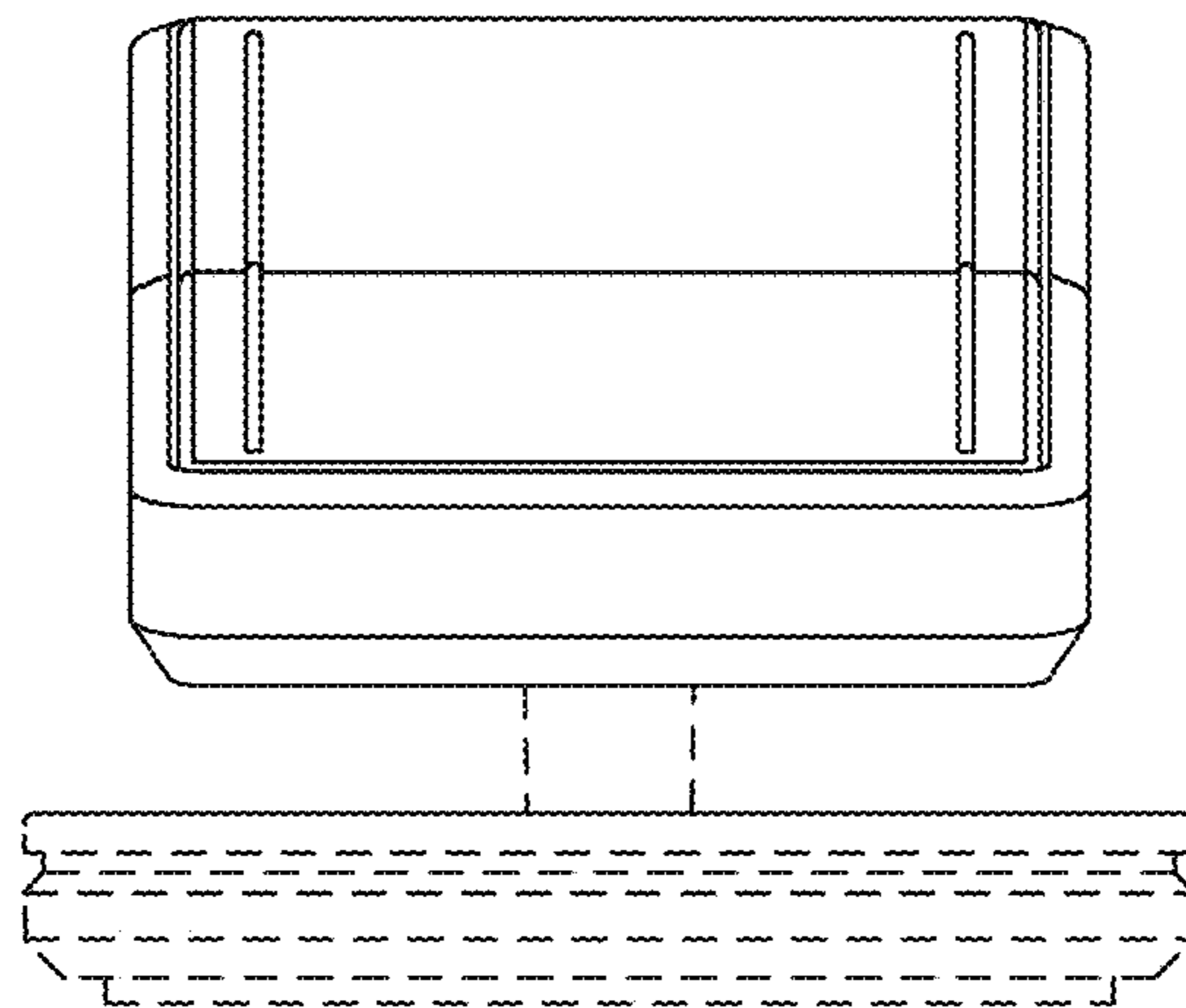


FIG. 12