



US00D962875S

(12) **United States Design Patent** (10) **Patent No.:** **US D962,875 S**  
**Kondo et al.** (45) **Date of Patent:** **\*\* Sep. 6, 2022**

(54) **SIGNAL RELAY DEVICE**  
 (71) Applicant: **Mitsubishi Electric Corporation,**  
 Tokyo (JP)

D922,333 S \* 6/2021 Fitzgerald ..... D13/162.1  
 D926,709 S \* 8/2021 Tachibana ..... D13/159  
 D927,432 S \* 8/2021 Panseri ..... D13/158  
 2013/0113349 A1 \* 5/2013 Miyazaki ..... H05K 5/0247  
 312/223.1

(72) Inventors: **Atsushi Kondo,** Tokyo (JP); **Kohei Shintani,** Tokyo (JP); **Akie Ichikawa,** Tokyo (JP)

FOREIGN PATENT DOCUMENTS

JP 1535850 S 10/2015

(73) Assignee: **Mitsubishi Electric Corporation,**  
 Tokyo (JP)

OTHER PUBLICATIONS

An Office Action issued by Taiwanese Patent Office dated Nov. 16, 2020, which corresponds to Taiwanese Application No. 109305195 and is related to Design U.S. Appl. No. 29/741,483 with English language translation.

(\*\*) Term: **15 Years**

\* cited by examiner

(21) Appl. No.: **29/741,483**

(22) Filed: **Jul. 13, 2020**

(30) **Foreign Application Priority Data**

Apr. 13, 2020 (JP) ..... 2020-007683 D

(51) **LOC (13) Cl.** ..... **13-03**

(52) **U.S. Cl.**  
 USPC ..... **D13/159; D14/155**

(58) **Field of Classification Search**  
 USPC ..... D13/123, 133, 158-162, 173, 178, 184,  
 D13/199; D14/155, 358  
 CPC . H01H 9/02; H01R 13/44; H02B 1/20; H05K  
 2/00; H05K 5/02; H05K 7/14; H05K 7/20  
 See application file for complete search history.

*Primary Examiner* — Shawn T Gingrich

(74) *Attorney, Agent, or Firm* — Studebaker & Brackett PC

(57) **CLAIM**

The ornamental design for a signal relay device, as shown and described.

**DESCRIPTION**

FIG. 1. is a front perspective view of the front, right, and bottom sides of a signal relay device showing our new design;

FIG. 2. is a rear perspective view of the rear, left, and top sides thereof;

FIG. 3. is a front view thereof;

FIG. 4. is a rear view thereof;

FIG. 5. is a top plan view thereof;

FIG. 6. is a bottom plan view thereof;

FIG. 7. is a right side view thereof; and,

FIG. 8. is a left side view thereof.

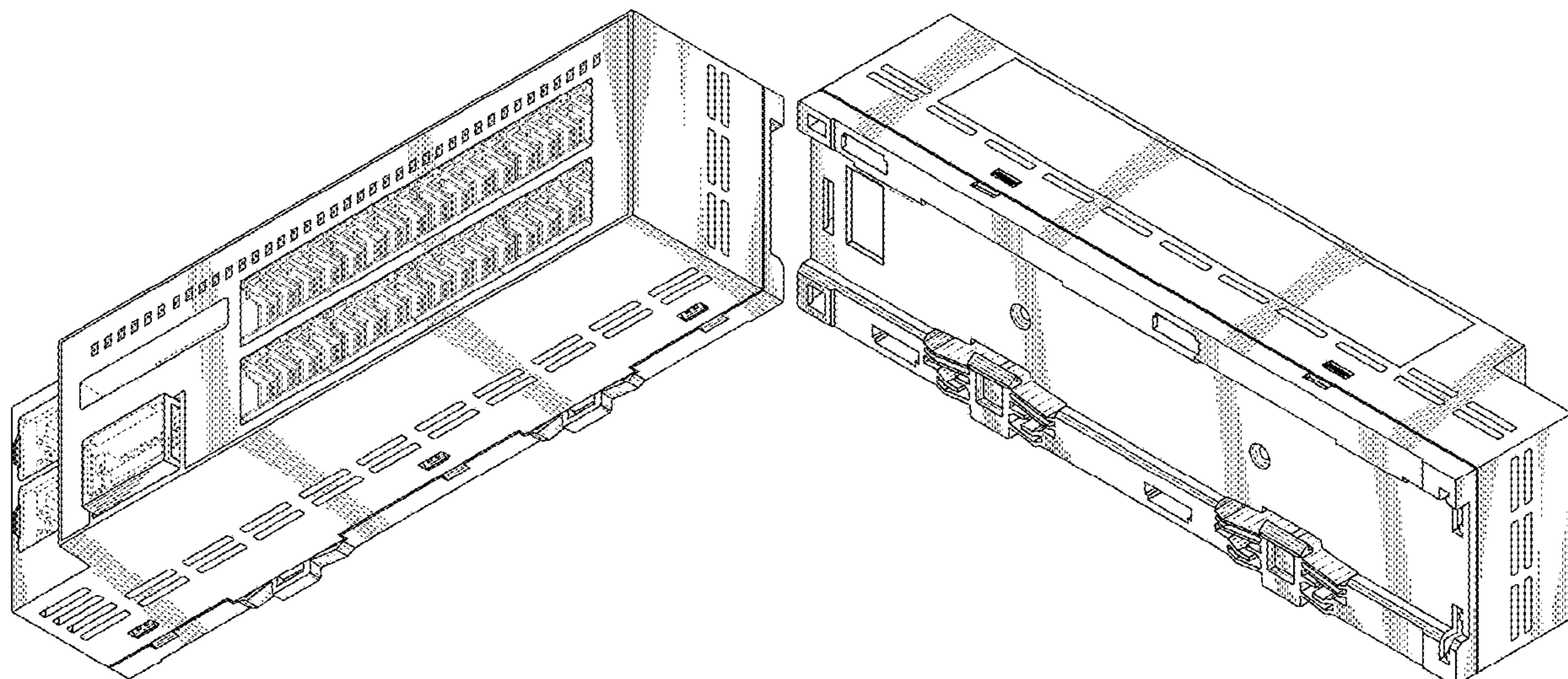
The broken lines in the drawings illustrate portions of the signal relay device that form no part of the claimed design.

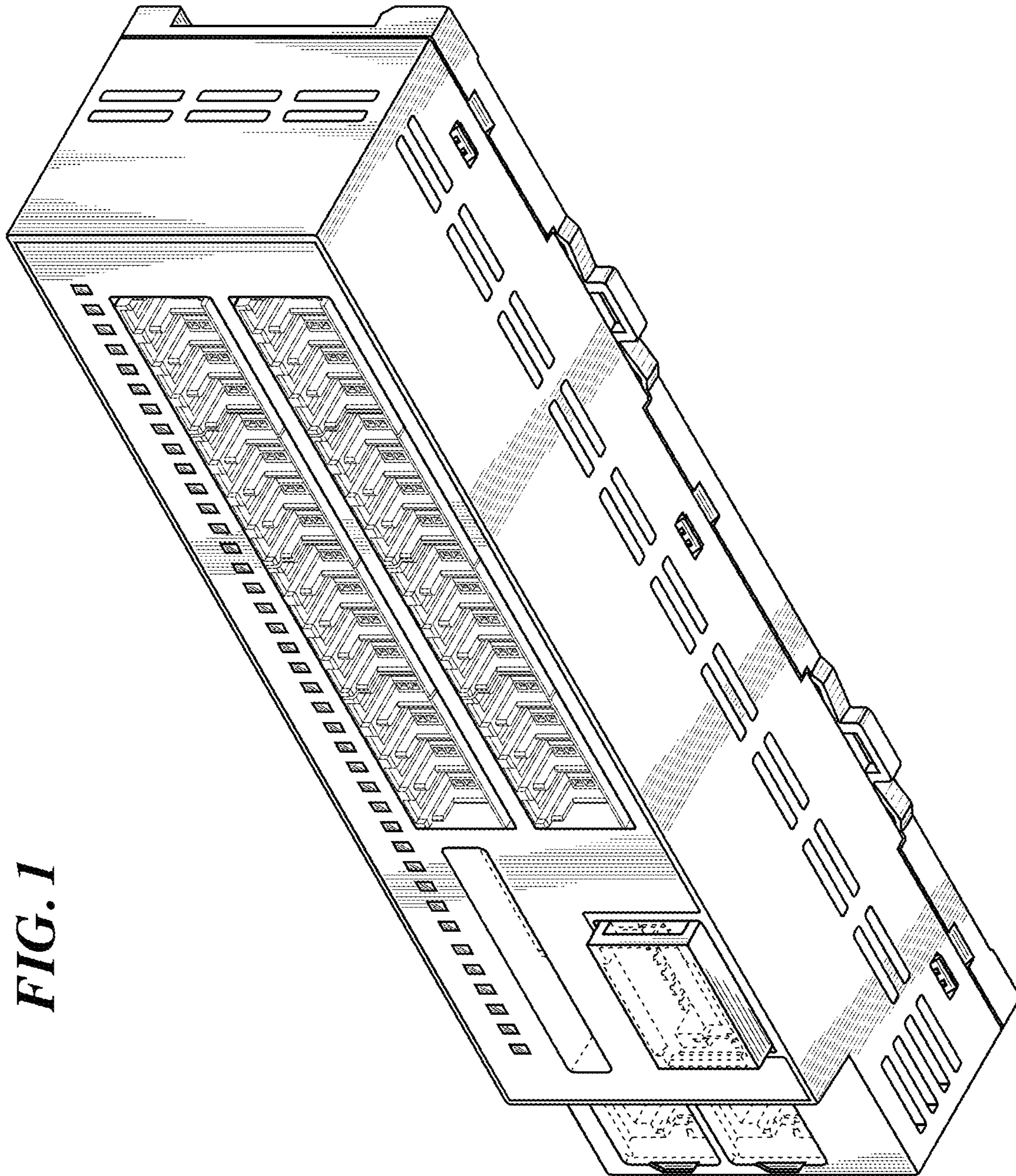
(56) **References Cited**

U.S. PATENT DOCUMENTS

D328,058 S \* 7/1992 Suzuki ..... D13/110  
 D758,365 S \* 6/2016 Shimano ..... D14/358  
 D776,077 S 1/2017 Kondo et al.  
 D798,236 S \* 9/2017 Nada ..... D13/123  
 D812,019 S \* 3/2018 Kato ..... D13/162  
 D829,181 S \* 9/2018 Kato ..... D13/162  
 D861,608 S \* 10/2019 Kato ..... D13/123  
 D861,609 S \* 10/2019 Kato ..... D13/123  
 D920,927 S \* 6/2021 Tachibana ..... D13/159  
 D920,928 S \* 6/2021 Tachibana ..... D13/159

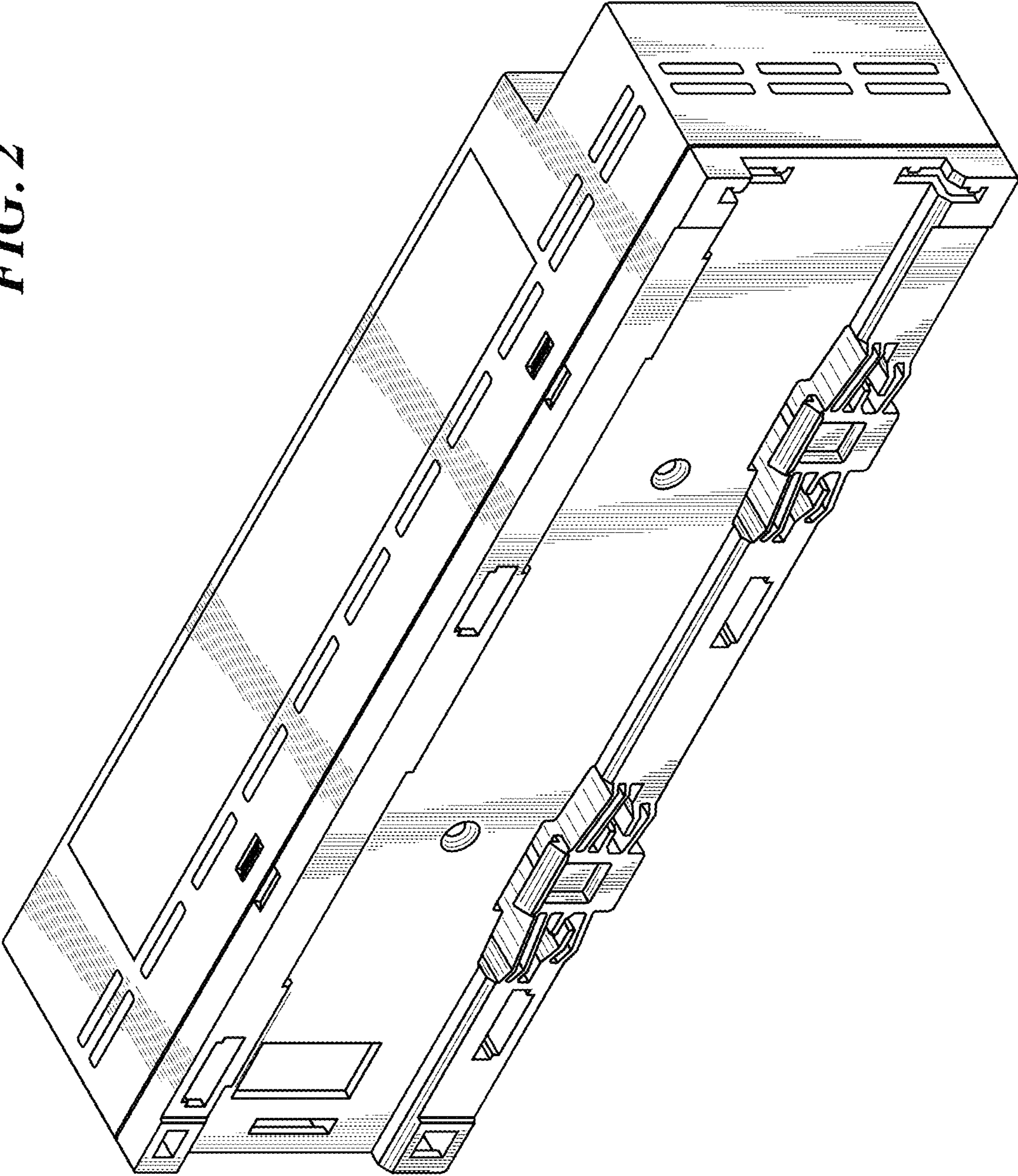
**1 Claim, 8 Drawing Sheets**



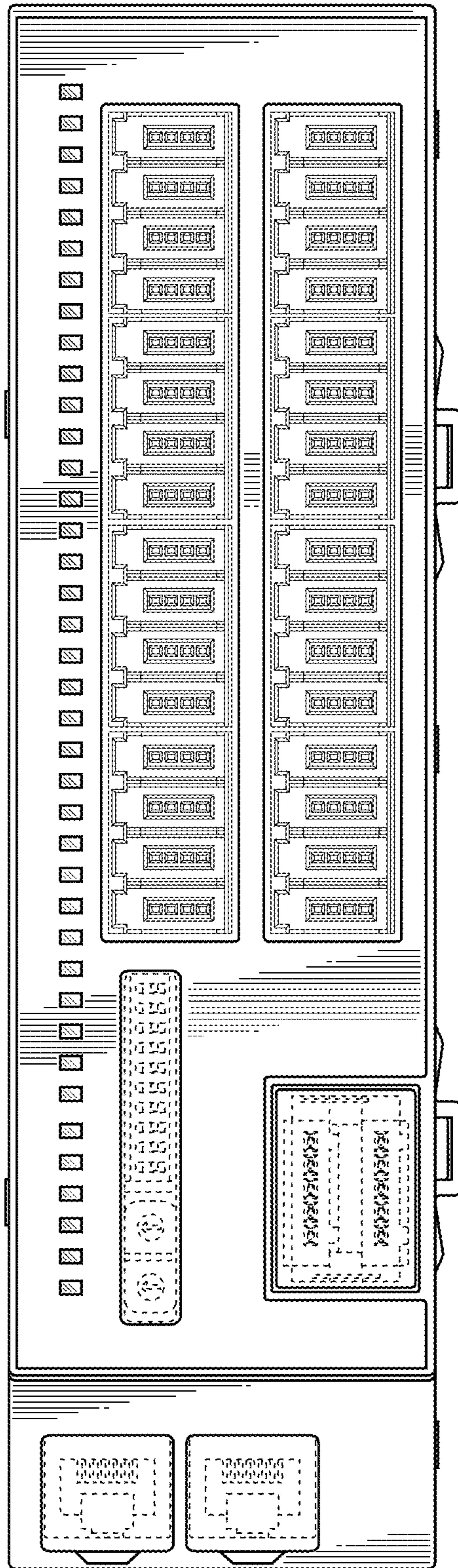


**FIG. 1**

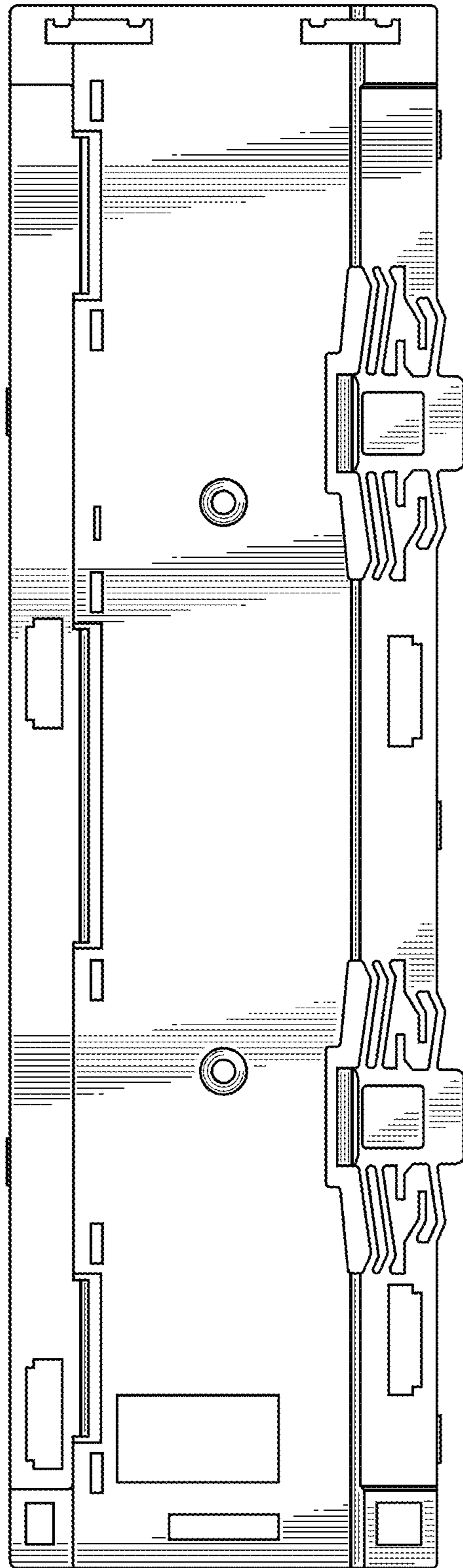
**FIG. 2**



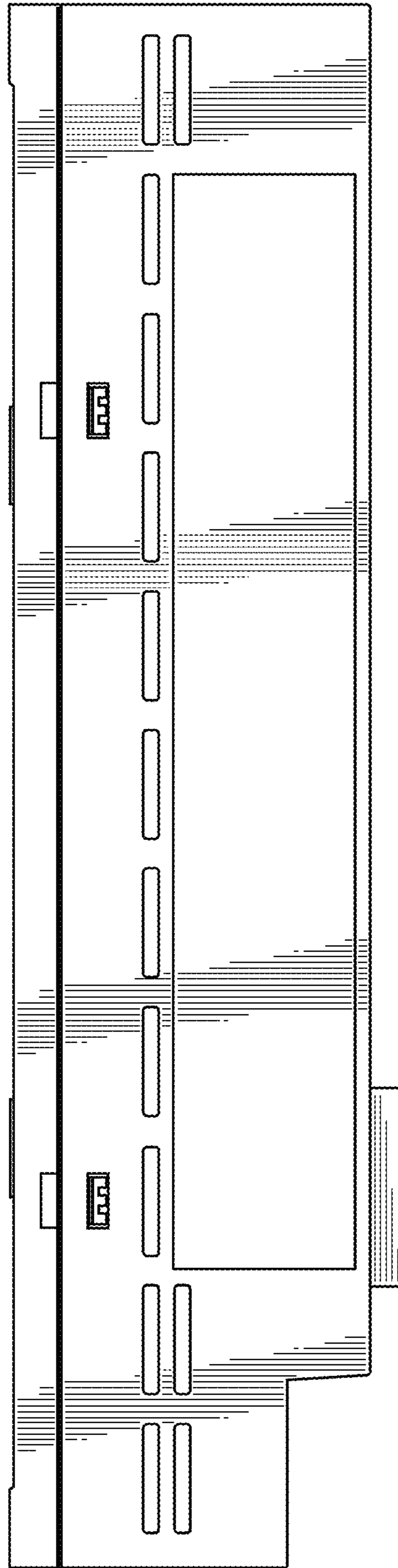
**FIG. 3**



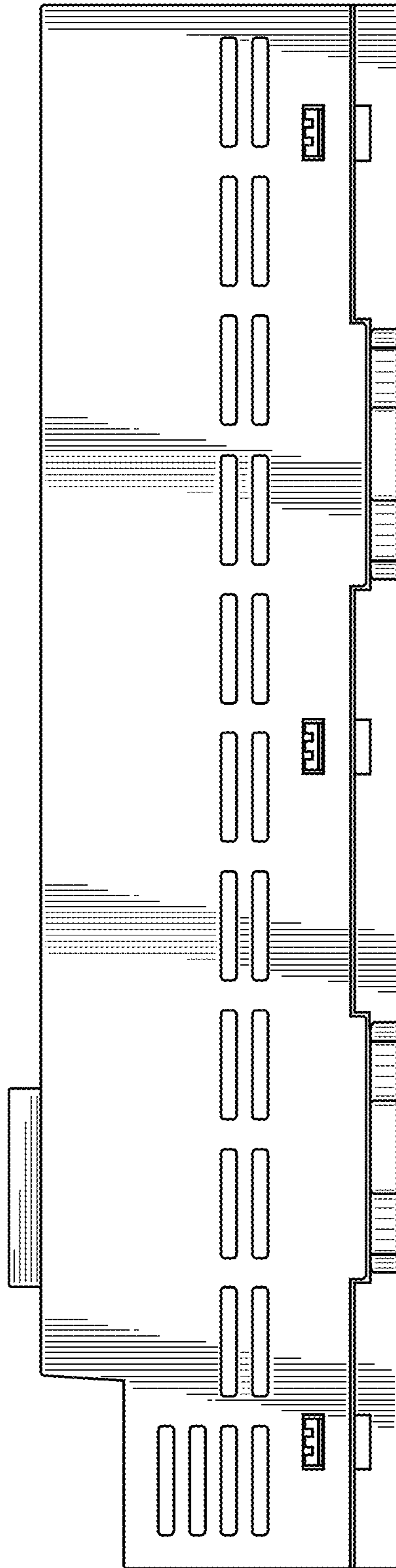
**FIG. 4**



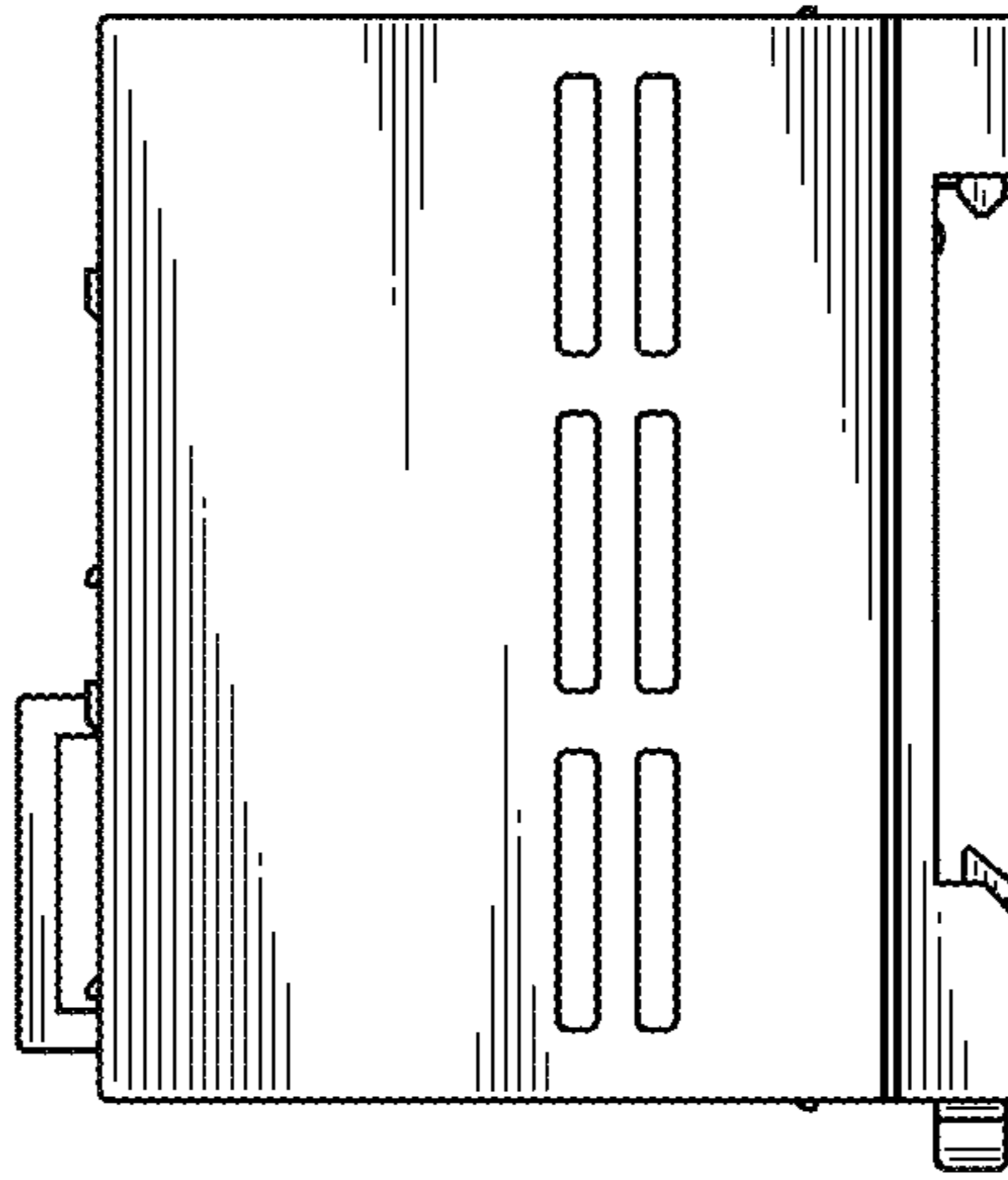
**FIG. 5**



*FIG. 6*



***FIG. 7***





*FIG. 8*

