



US00D962874S

(12) **United States Design Patent**  
**Medea et al.**

(10) **Patent No.:** **US D962,874 S**  
(45) **Date of Patent:** **\*\* Sep. 6, 2022**

- (54) **ELECTRICAL SWITCH**
- (71) Applicant: **Hitachi Energy Switzerland AG**,  
Baden (CH)
- (72) Inventors: **Francesco Medea**, Monselice (IT);  
**Carlo Camporeale**, Padua (IT);  
**Marcin Chromniak**, Lusina (PL);  
**Daniel Wojtowicz**, Cracow (PL)
- (73) Assignee: **Hitachi Energy Switzerland AG**,  
Baden (CH)
- (\*\*) Term: **15 Years**
- (21) Appl. No.: **29/733,935**
- (22) Filed: **May 7, 2020**
- (30) **Foreign Application Priority Data**  
Nov. 25, 2019 (EM) ..... 007296173
- (51) **LOC (13) Cl.** ..... **13-03**
- (52) **U.S. Cl.**  
USPC ..... **D13/158**
- (58) **Field of Classification Search**  
USPC ..... D13/158, 160, 173, 199  
CPC ..... H01H 9/02; H01H 13/06; H01H 13/36;  
H01H 13/52; H01H 2335/01; H01H  
50/02  
See application file for complete search history.

- (56) **References Cited**  
U.S. PATENT DOCUMENTS  
D614,150 S \* 4/2010 Crites ..... D13/174  
D646,233 S \* 10/2011 Reddering ..... D13/173

- 8,115,131 B2 \* 2/2012 Domzalski ..... H01H 13/30  
200/467
- D686,165 S \* 7/2013 Bullock ..... D13/158
- D688,212 S \* 8/2013 Scheucher ..... D13/158
- 8,633,412 B2 \* 1/2014 Mori ..... H01H 13/18  
200/469
- 9,208,973 B2 \* 12/2015 Pabst ..... H01H 1/40
- 2007/0062796 A1 \* 3/2007 Bauer ..... H01H 13/12  
200/329
- 2012/0152714 A1 \* 6/2012 Kishi ..... H01H 13/42  
200/467

\* cited by examiner

*Primary Examiner* — Selina Sikder

(74) *Attorney, Agent, or Firm* — Sage Patent Group

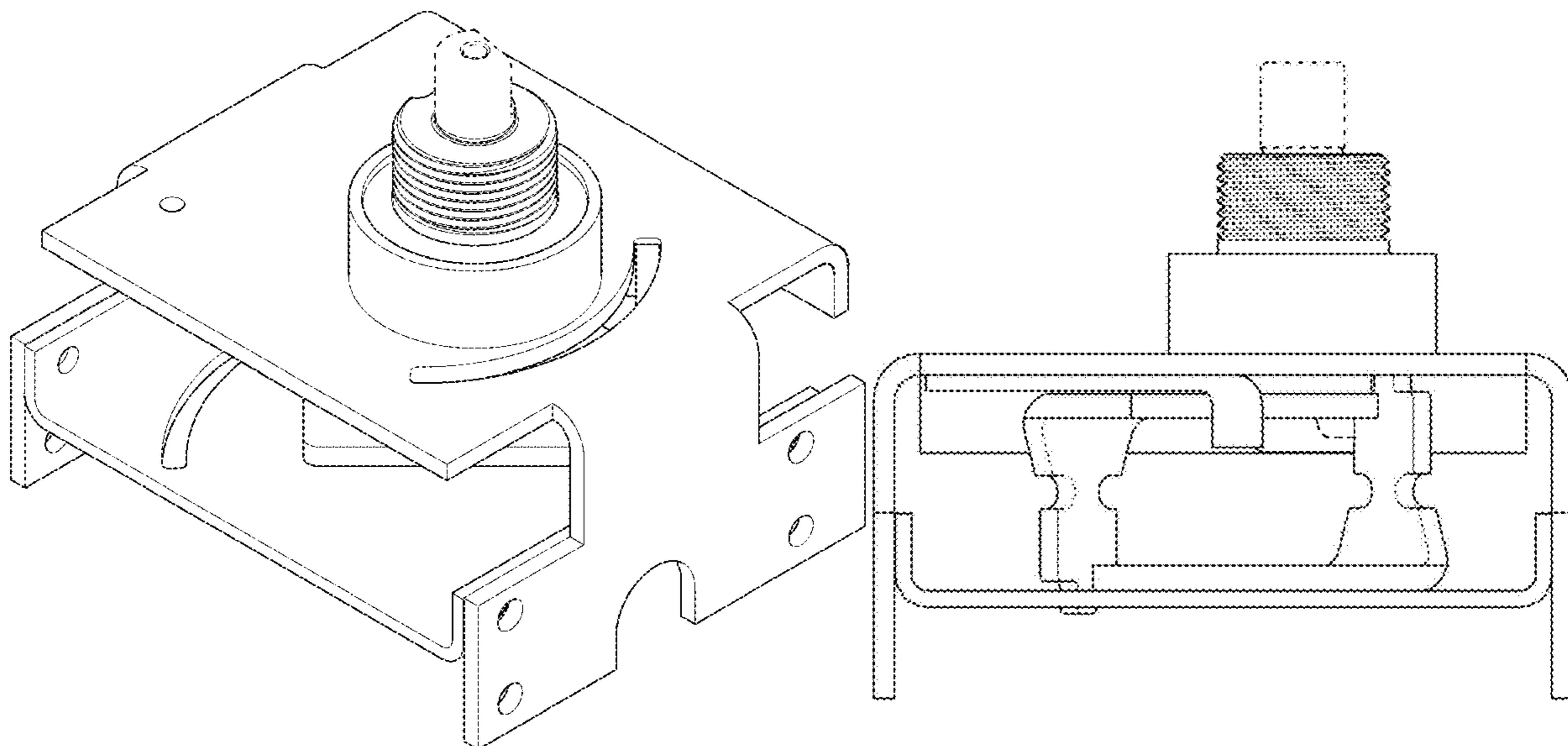
(57) **CLAIM**

The ornamental design for an electrical switch, as shown and described.

**DESCRIPTION**

FIG. 1 is a front isometric view of an electrical switch in accordance with the new design;  
 FIG. 2 is a front elevational view thereof;  
 FIG. 3 is a rear elevational view thereof;  
 FIG. 4 is a right side elevational view thereof;  
 FIG. 5 is a left side elevational view thereof;  
 FIG. 6 is a top plan view thereof; and,  
 FIG. 7 is a bottom plan view thereof.  
 The broken lines shown in the drawings depict portions of the electrical switch that form no part of the claimed design.

**1 Claim, 7 Drawing Sheets**



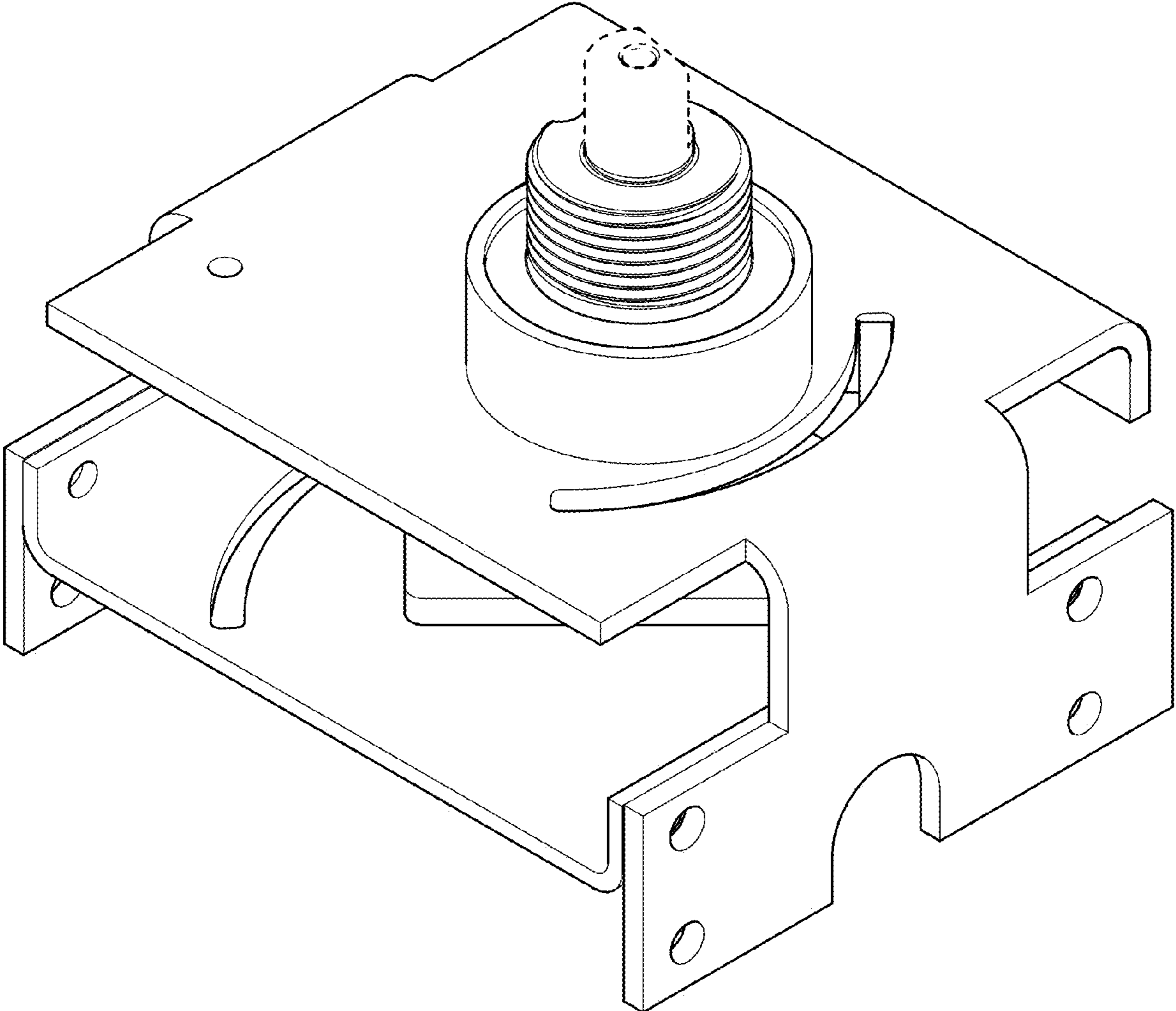


Figure 1

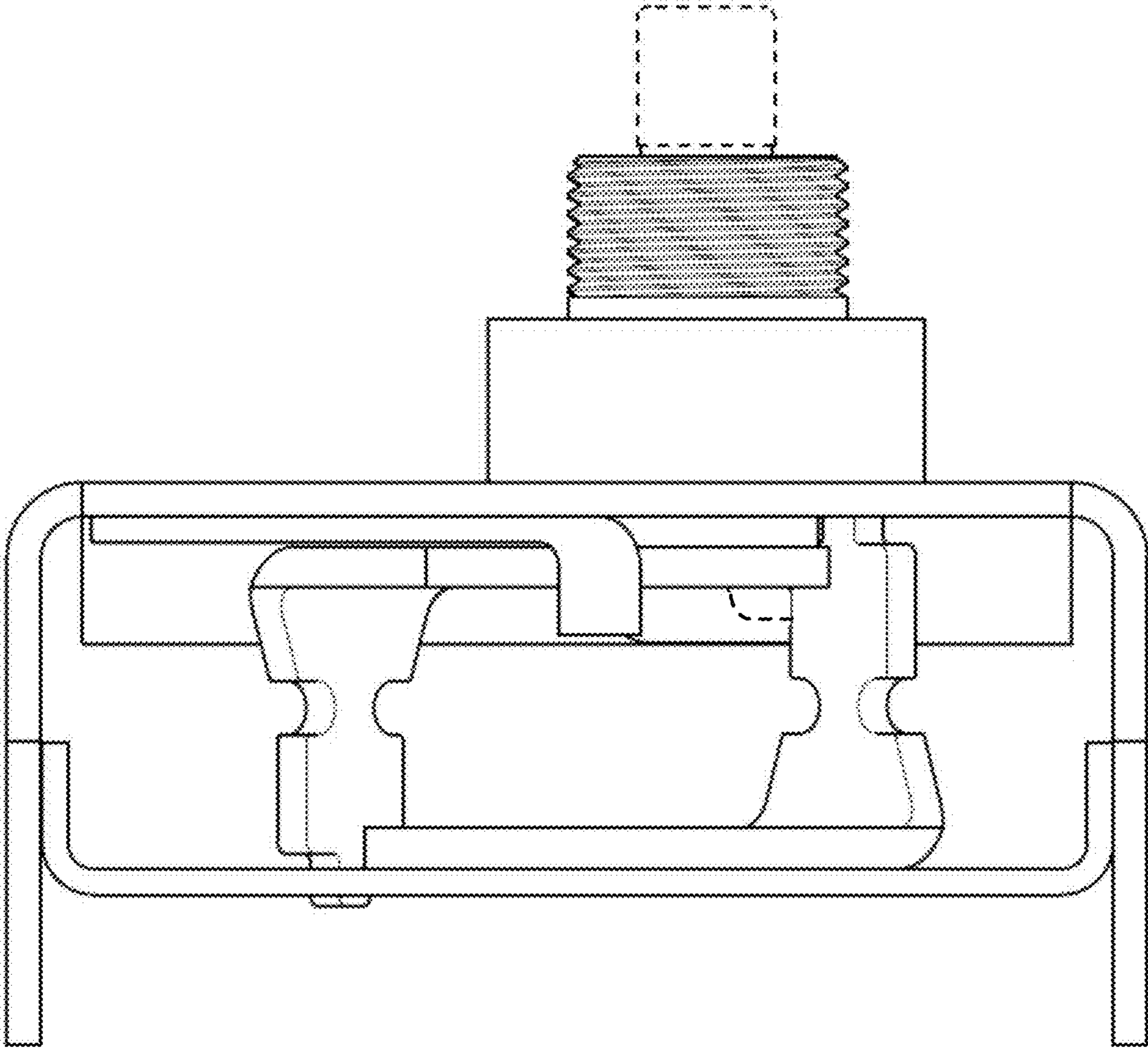


Figure 2

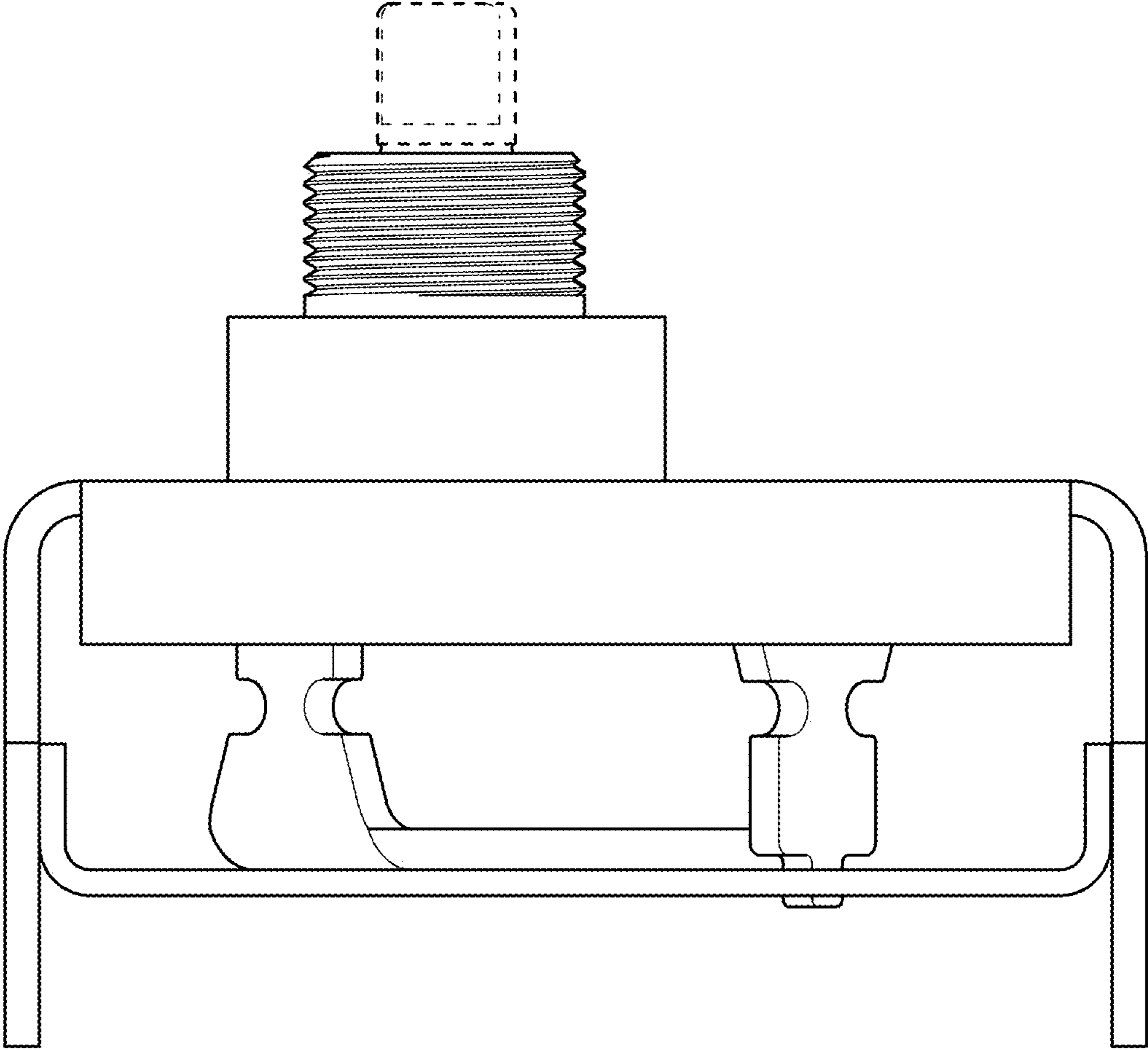


Figure 3

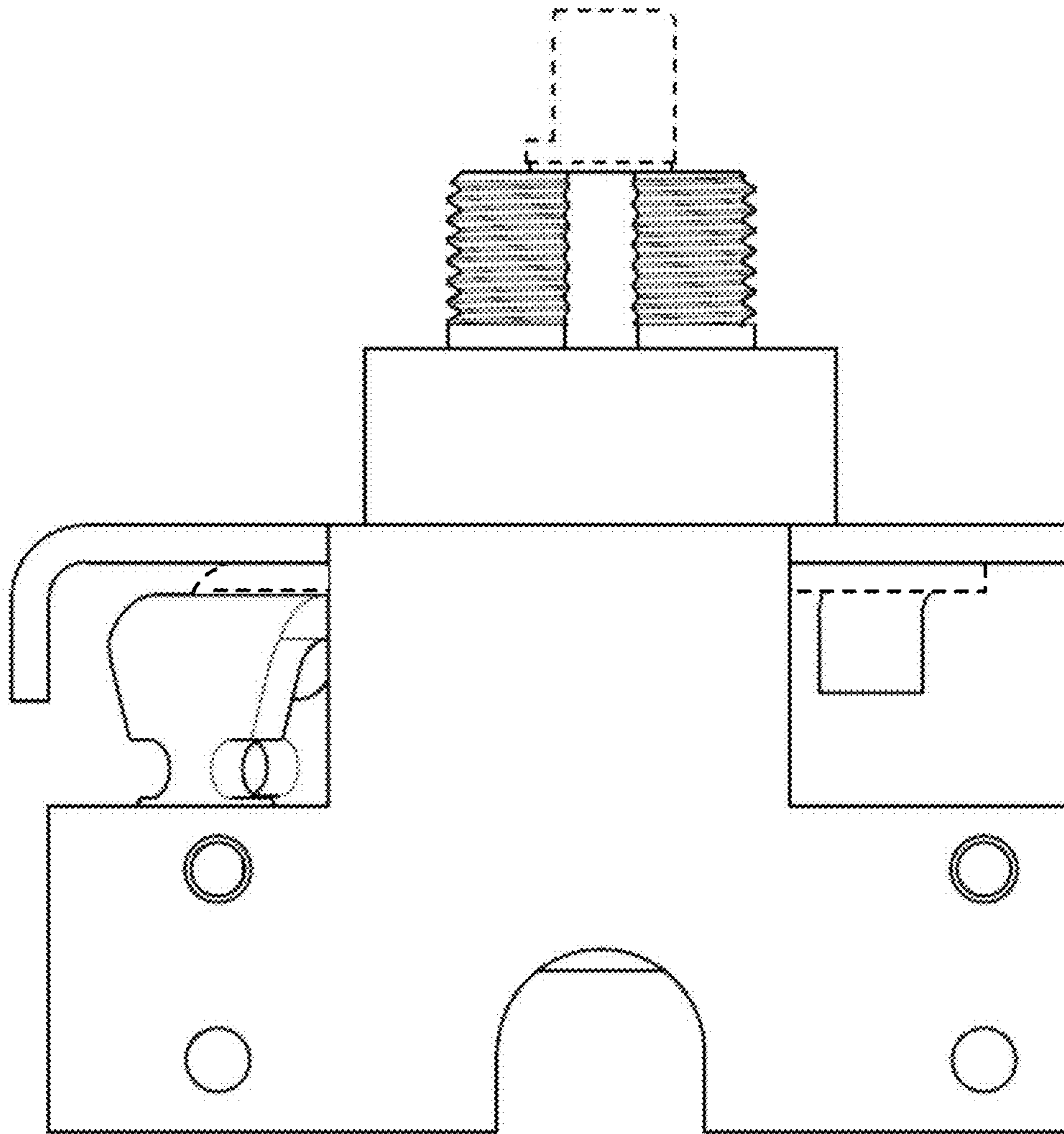


Figure 4

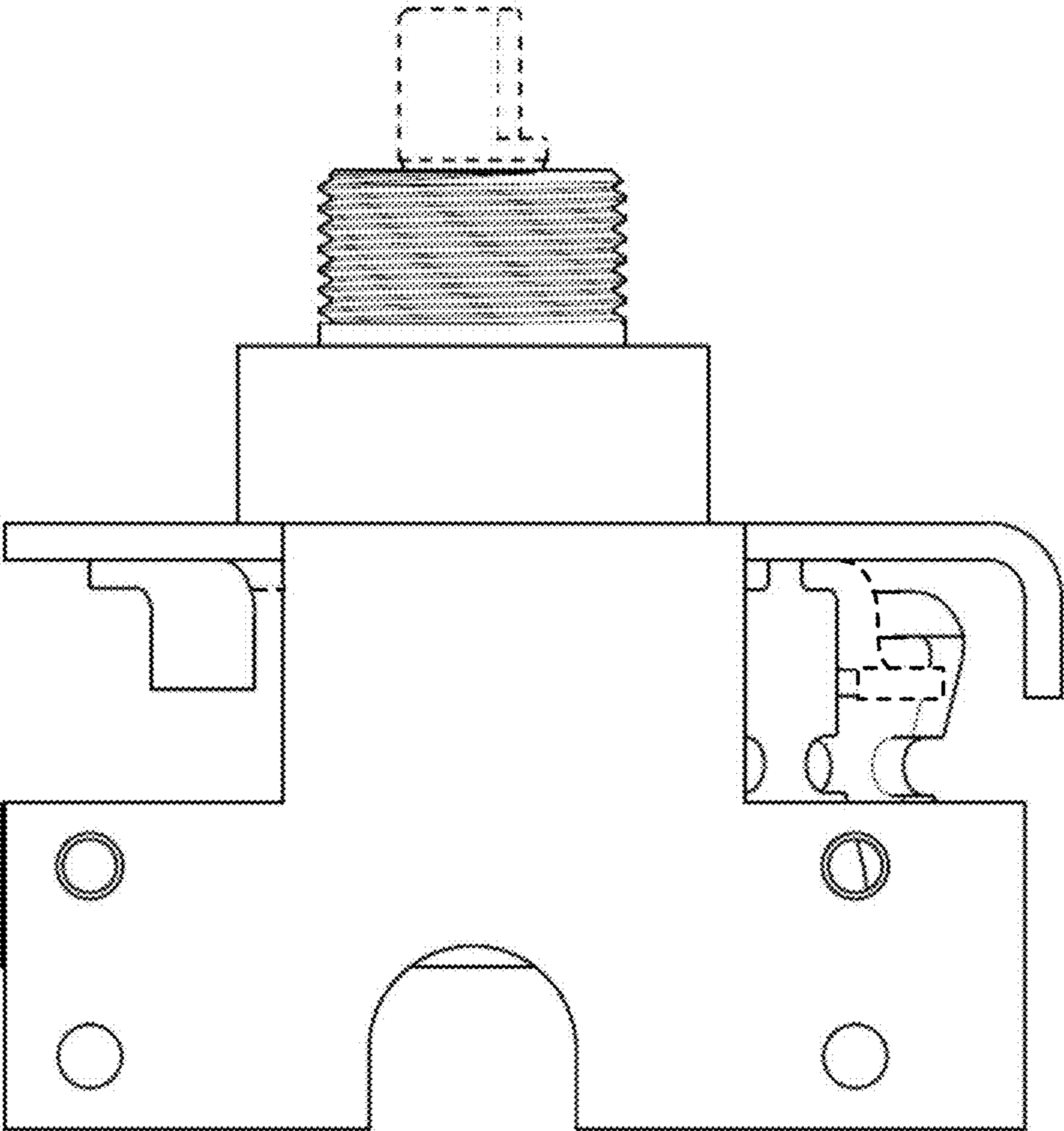


Figure 5

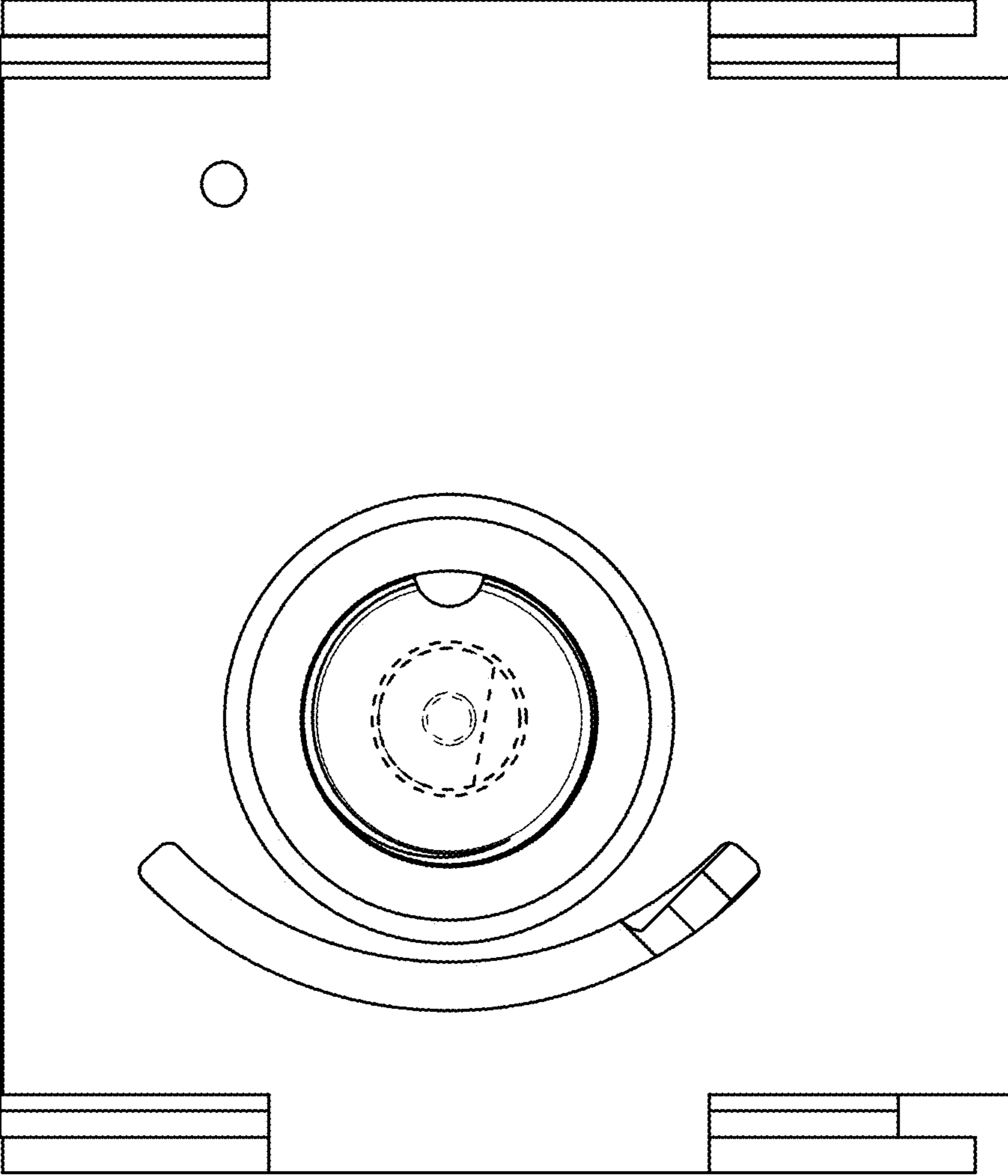


Figure 6

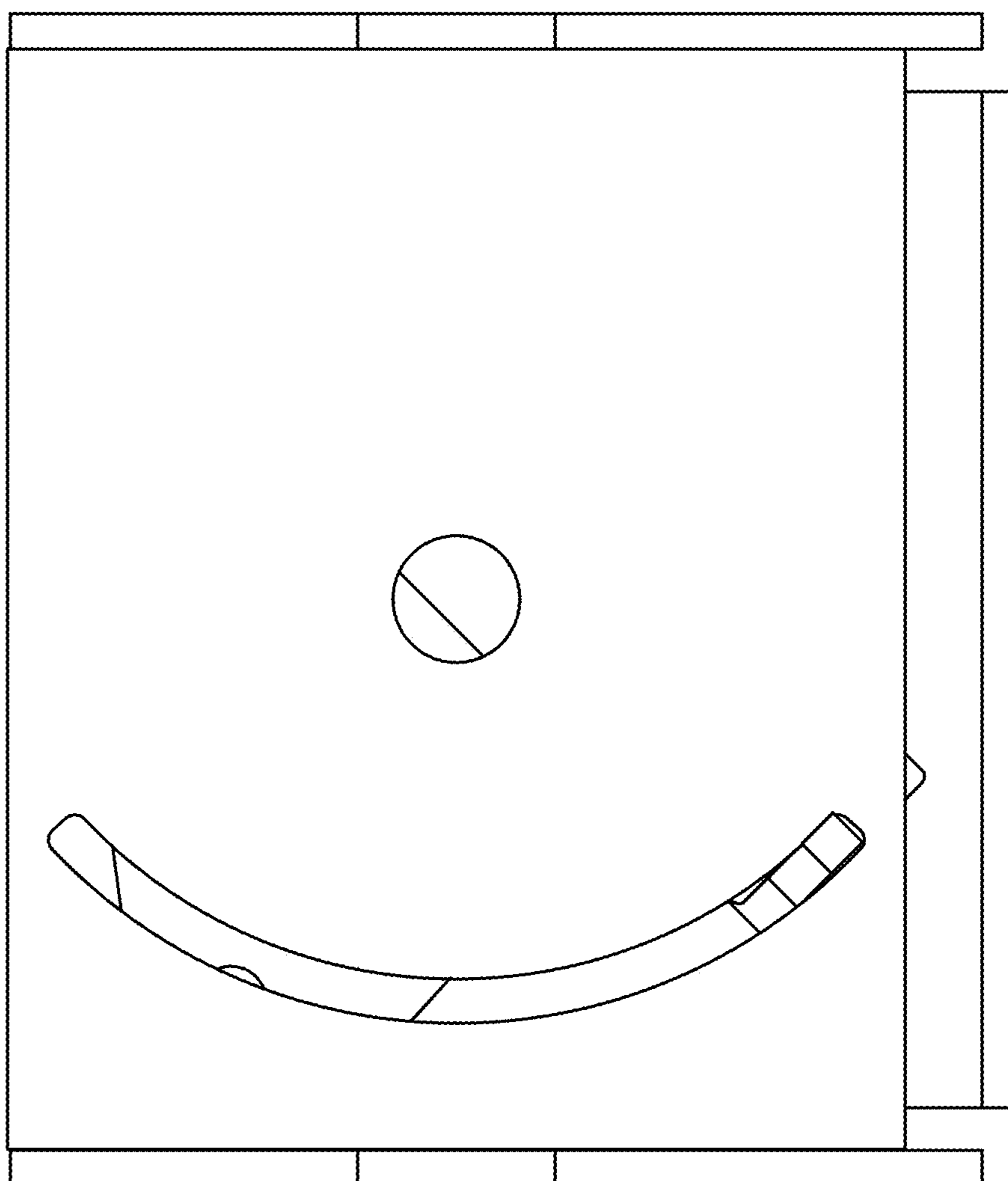


Figure 7