

US00D962870S

(12) **United States Design Patent** (10) **Patent No.:** **US D962,870 S**
Hong (45) **Date of Patent:** **** Sep. 6, 2022**

(54) **CHARGER FOR WALKIE-TALKIE**

(71) Applicant: **Shaohua Hong**, Fujian (CN)

(72) Inventor: **Shaohua Hong**, Fujian (CN)

(**) Term: **15 Years**

(21) Appl. No.: **29/775,284**

(22) Filed: **Mar. 23, 2021**

Related U.S. Application Data

(62) Division of application No. 29/710,518, filed on Oct. 24, 2019, now Pat. No. Des. 931,815.

(30) **Foreign Application Priority Data**

Jul. 4, 2019 (CN) 201930351914.6

(51) **LOC (13) Cl.** **13-03**

(52) **U.S. Cl.**
USPC **D13/138.1**; D13/108

(58) **Field of Classification Search**
USPC D13/103, 107, 108, 110, 118, 119, 137.2,
D13/137.3, 138.1, 139.1, 139.4, 139.5;
D14/251, 252, 253, 432, 433, 434, 447
CPC H01R 24/00; H01R 12/592; H02J 7/0044;
H02J 7/0045
See application file for complete search history.

(56) **References Cited**

U.S. PATENT DOCUMENTS

- 5,744,934 A * 4/1998 Wu H01R 13/6675
307/150
- D394,641 S * 5/1998 Seragnoli D13/108
- D543,147 S * 5/2007 Ng D13/138.1
- D544,833 S * 6/2007 Sade D13/108
- D584,690 S * 1/2009 Hsiung D13/138.1

- D611,416 S * 3/2010 McGinley D13/138.1
- D654,020 S * 2/2012 Au D13/108
- D661,651 S * 6/2012 Smith D13/138.1
- D704,630 S * 5/2014 Liu D13/108
- D821,971 S * 7/2018 Yang D13/107
- D931,815 S * 9/2021 Hong D13/138.1
- 2011/0009003 A1 * 1/2011 Youssefi-Shams H01R 13/71
439/628
- 2017/0170614 A1 * 6/2017 You H01R 13/6276

OTHER PUBLICATIONS

“Home Travel Wall Charger”. Found online Feb. 4, 2021 at amazon.com. Reference dated May 13, 2013. Retrieved from <https://www.amazon.com/Travel-Charger-Adaptor-Micro-Extreme/dp/B01G02GIVQ?th=1>. (Year: 2013).*

(Continued)

Primary Examiner — Kendra Leslie Hamilton
Assistant Examiner — Amanda Christensen

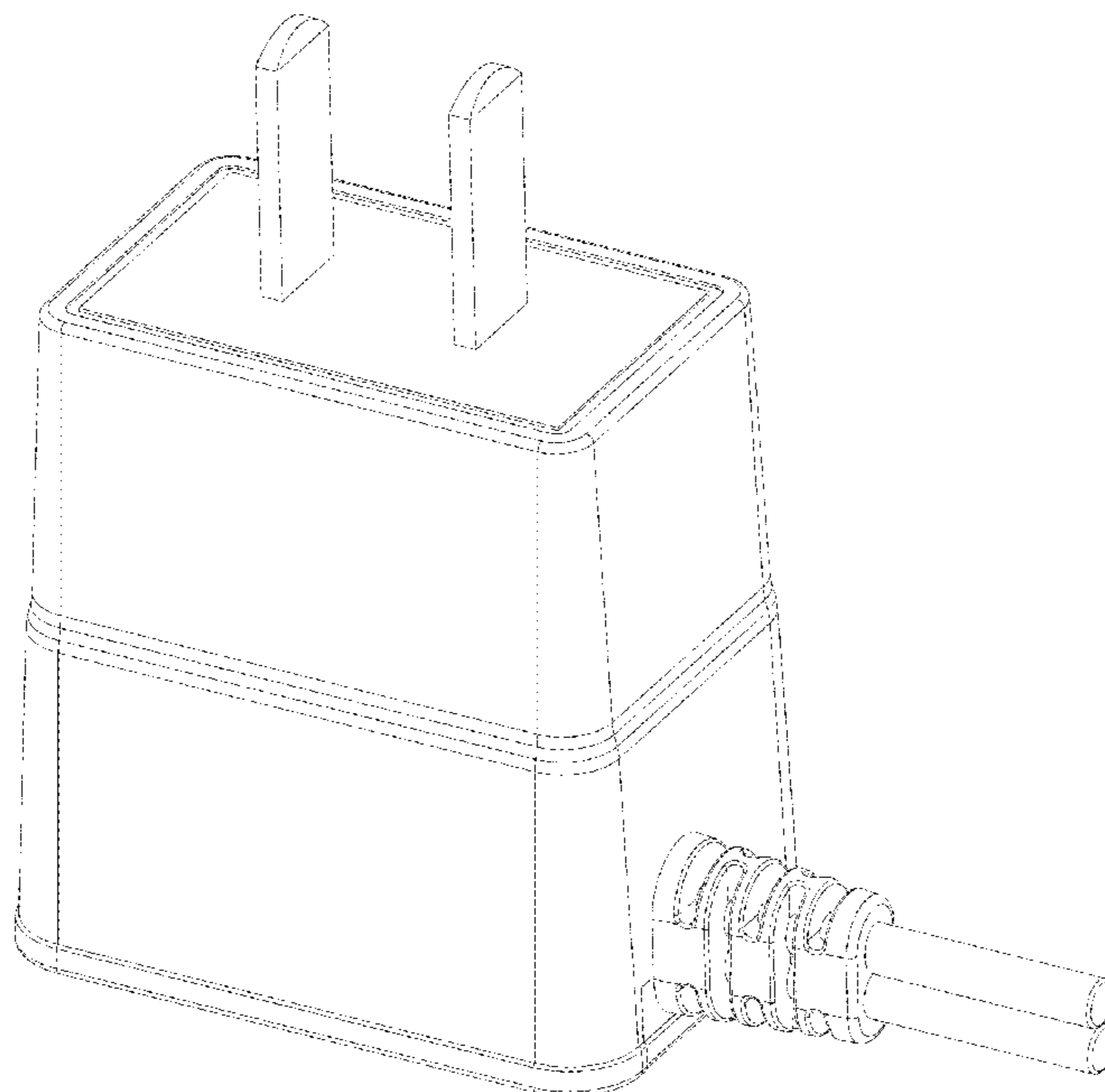
(57) **CLAIM**

The ornamental design for a charger for walkie-talkie, as shown and described.

DESCRIPTION

FIG. 1 is a front elevational view of a charger for walkie-talkie showing my new design;
FIG. 2 is a rear elevational view thereof;
FIG. 3 is a left side view thereof;
FIG. 4 is a right side view thereof;
FIG. 5 is a top plan view thereof;
FIG. 6 is a bottom plan view thereof; and,
FIG. 7 is a top, front, right side perspective view thereof.
The broken lines in the drawings depict portions of the charger for walkie-talkie that form no part of the claimed design.

1 Claim, 7 Drawing Sheets



(56)

References Cited

OTHER PUBLICATIONS

“Wall Charger for Midland X-Tra Talk”. Found online Jan. 28, 2021 at amazon.com. Reference dated Jan. 21, 2013. Retrieved from <https://www.amazon.com/Charger-Replacement-Midland-GXT1030VP4-GXT1050VP4/dp/B01N1TTSOC>. (Year: 2013).*

“Samsung Travel Charger for Galaxy”. Found online Jan. 14, 2021 at amazon.com. Reference dated Apr. 30, 2014. Retrieved from https://www.amazon.com/Samsung-Micro-Travel-Charger-Galaxy/dp/B00K117VDA/ref=asc_df_B00K117VDA/. (Year: 2014).*

* cited by examiner

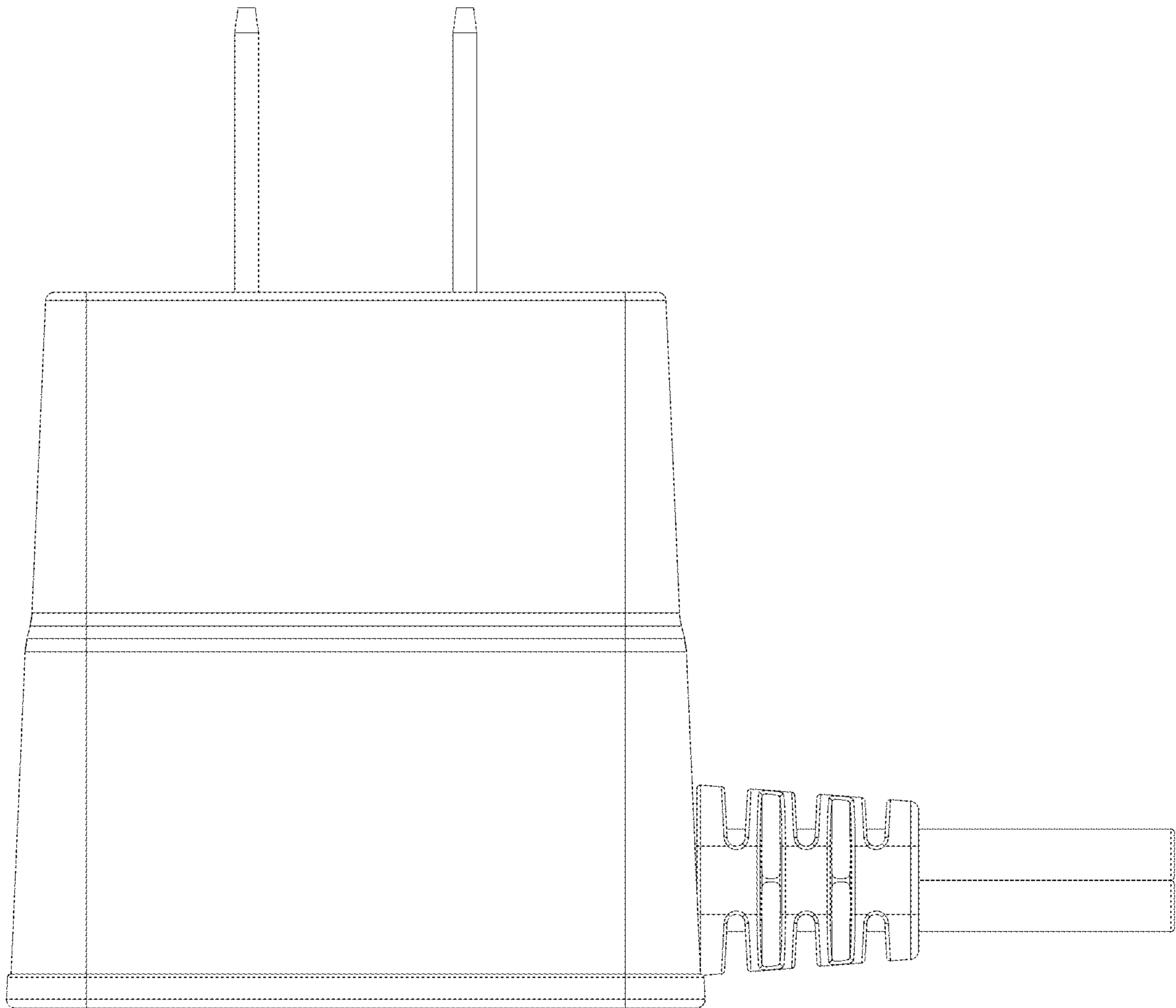


FIG. 1

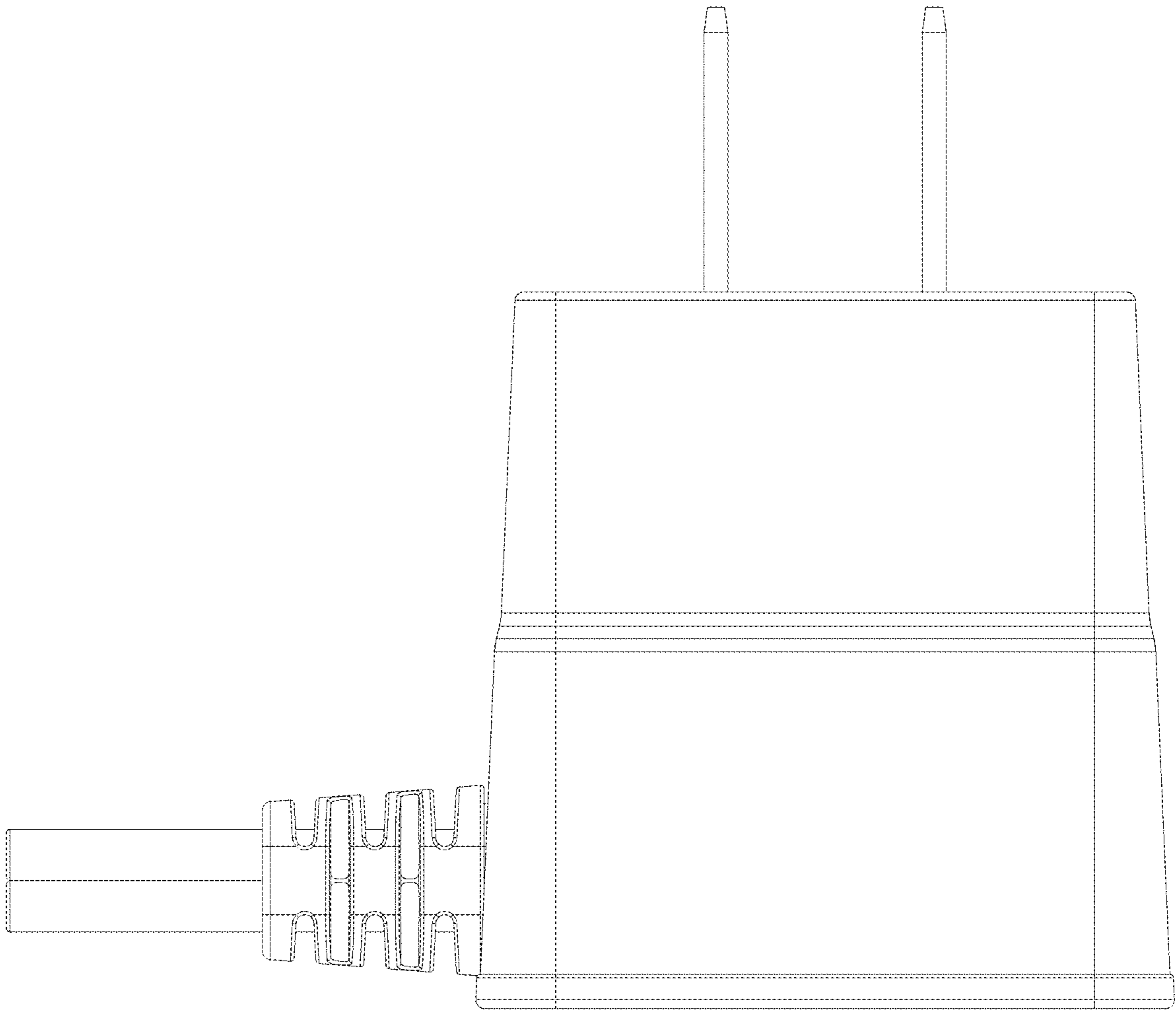


FIG. 2

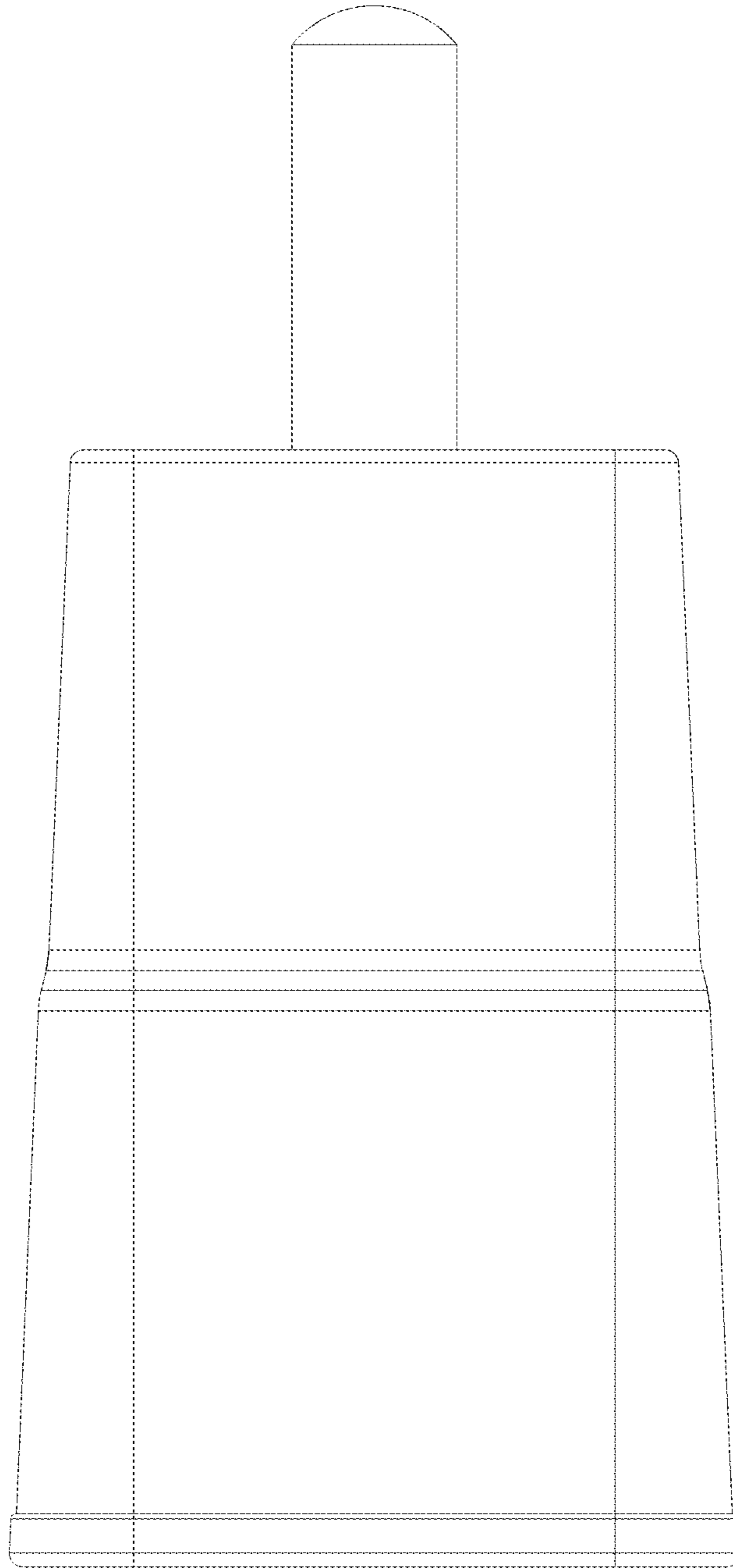


FIG. 3

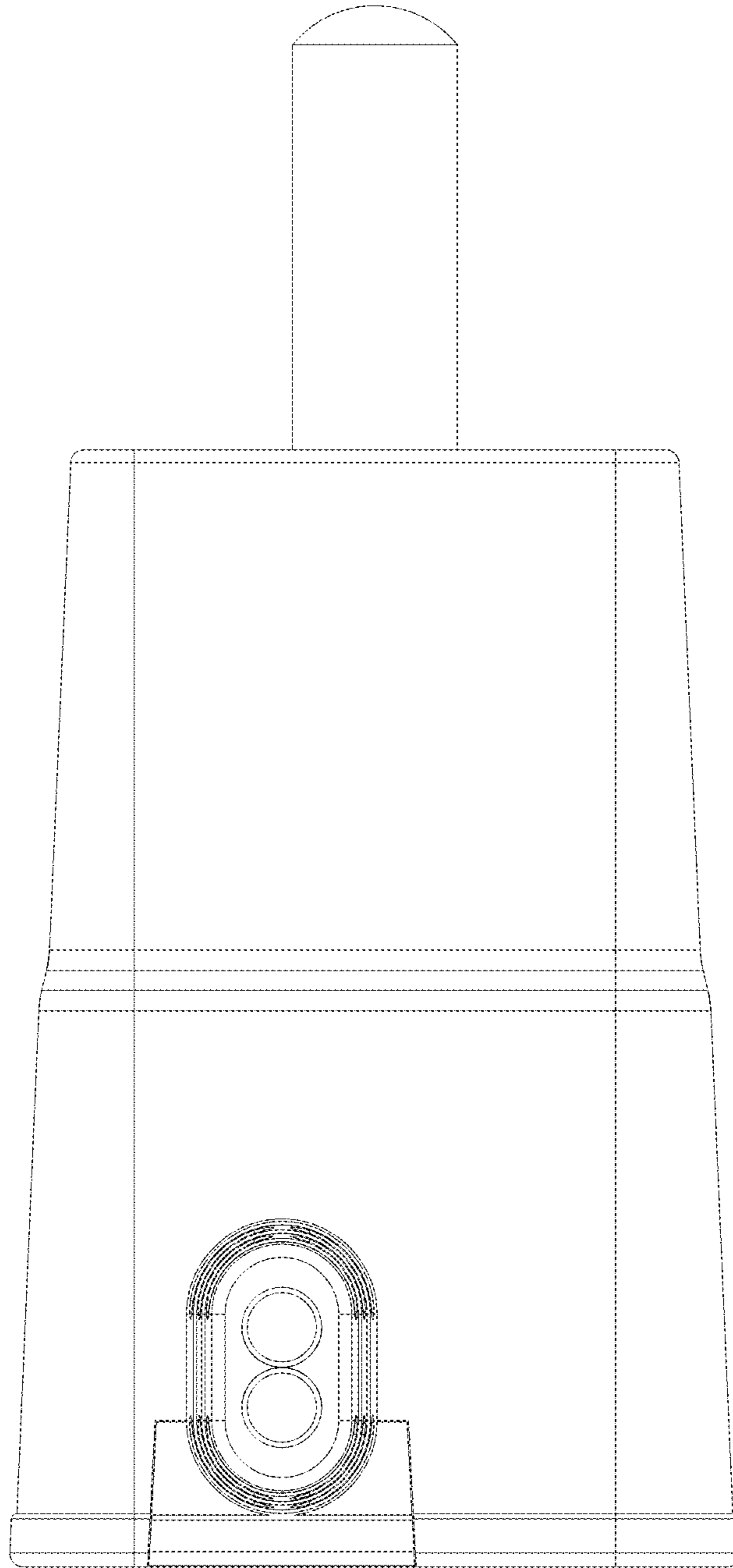


FIG. 4

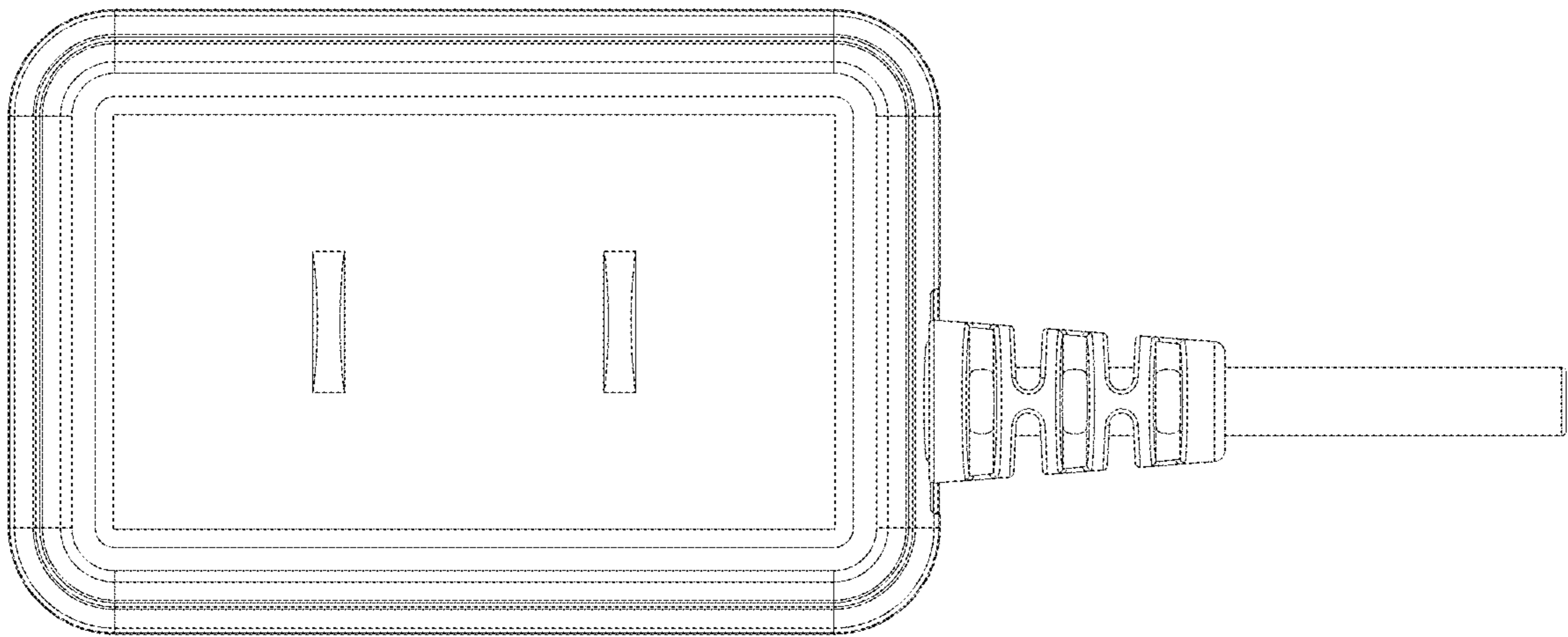


FIG. 5

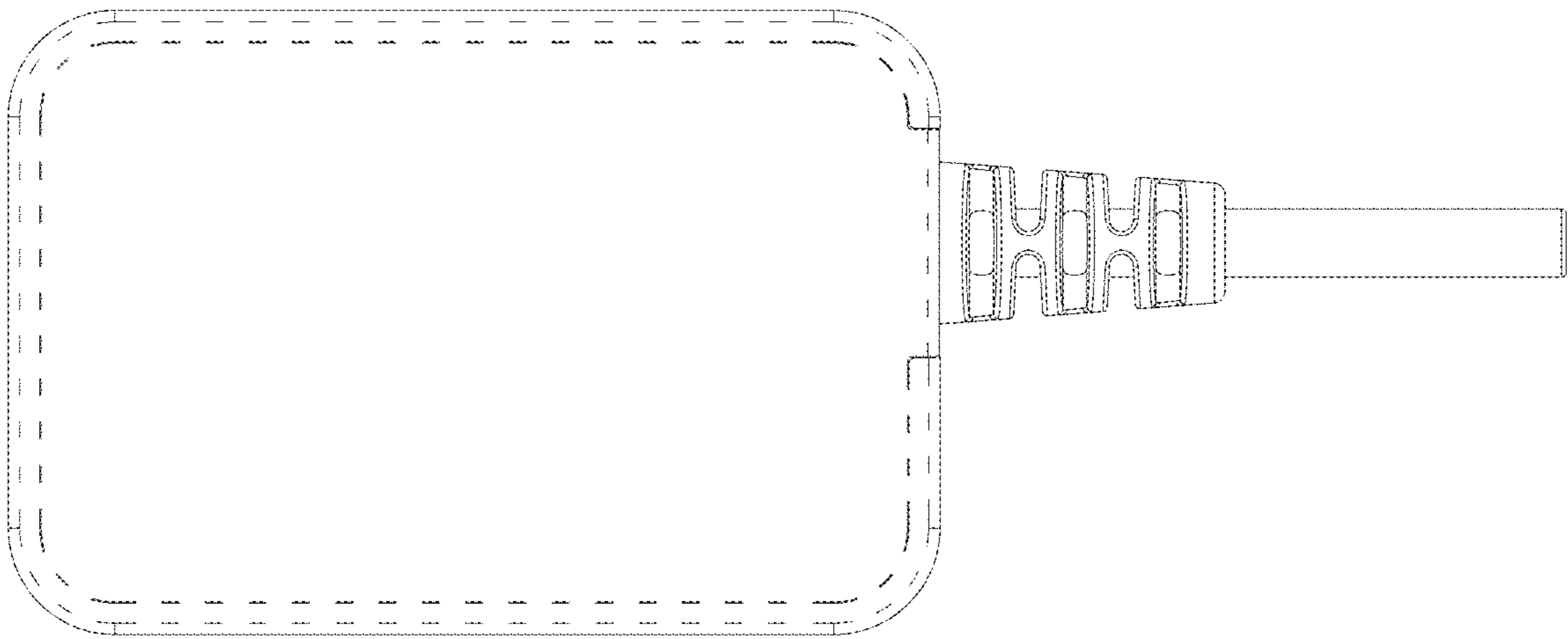


FIG. 6

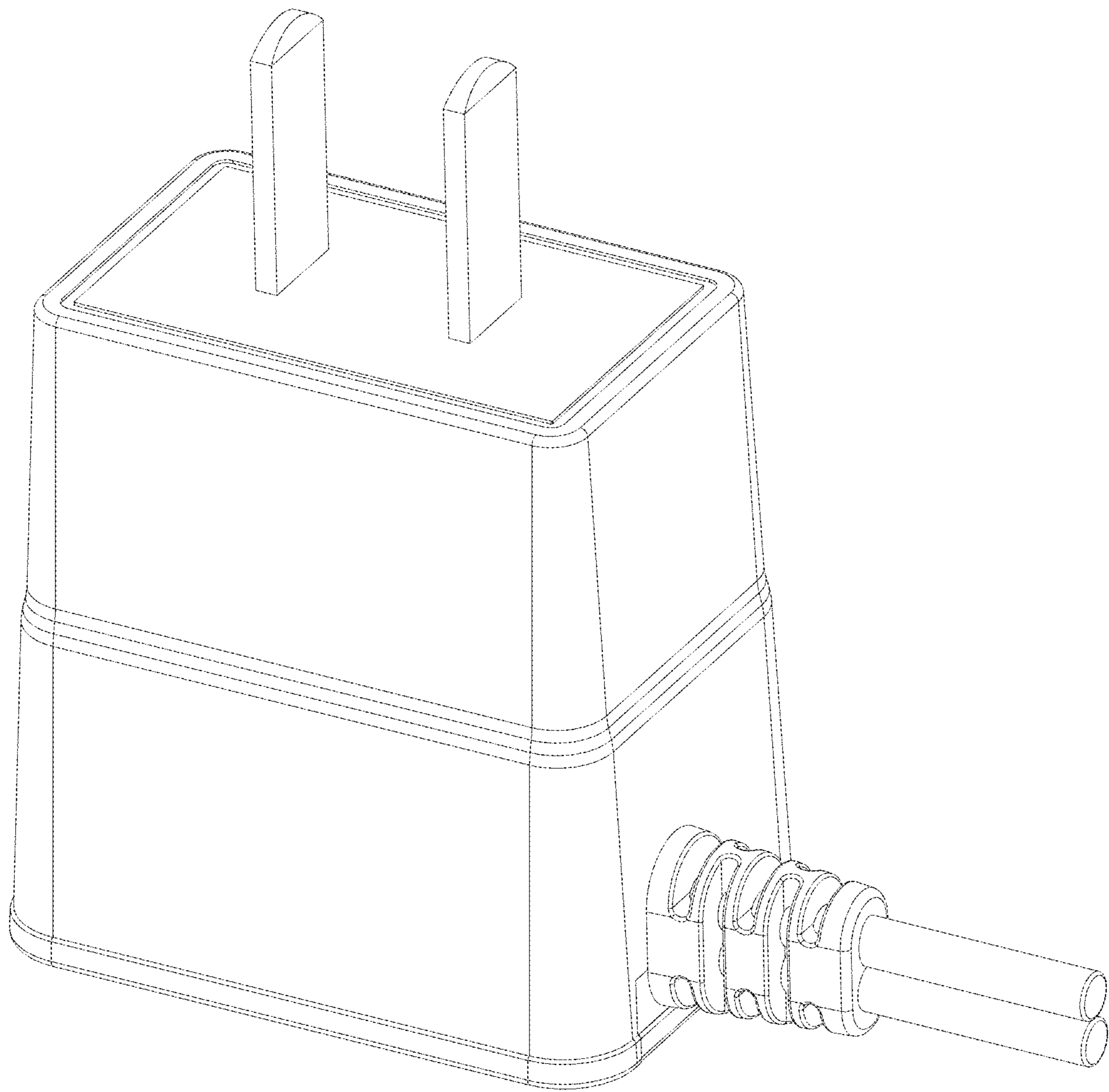


FIG. 7