



US00D962867S

(12) **United States Design Patent** (10) **Patent No.:** **US D962,867 S**
Lau (45) **Date of Patent:** **** Sep. 6, 2022**

(54) **INDUCTOR**

(71) Applicant: **James Leych Lau**, Orange, CA (US)

(72) Inventor: **James Leych Lau**, Orange, CA (US)

(**) Term: **15 Years**

(21) Appl. No.: **29/750,442**

(22) Filed: **Sep. 14, 2020**

(51) **LOC (13) Cl.** **13-02**

(52) **U.S. Cl.**
USPC **D13/117**

(58) **Field of Classification Search**

USPC D13/101, 103, 104, 107, 110, 112, 117,
D13/118, 119, 120, 133, 156, 179, 183,
D13/199
CPC H01R 13/641; H02B 1/20; H01M 2/1022;
H01M 2/1027; H01M 2/1072; H01M
2/105; H01M 2/1077; H01F 5/02; H01F
5/04; H01F 27/292; H01F 27/325; H01F
27/2847

See application file for complete search history.

(56) **References Cited**

U.S. PATENT DOCUMENTS

D329,041 S *	9/1992	Masuda	D13/117
D665,740 S *	8/2012	Yamada	D13/117
D693,302 S *	11/2013	Yamada	D13/117
D721,651 S *	1/2015	Iwakura	D13/117
D796,438 S *	9/2017	Kakuda	D13/117
D830,972 S *	10/2018	Numajiri	D13/117
D871,338 S *	12/2019	Komaya	D13/117
D906,965 S *	1/2021	Oka	D13/117
D910,561 S *	2/2021	Yasuda	D13/117
D920,911 S *	6/2021	Moriya	D13/117
D923,574 S *	6/2021	Monma	D13/117
D938,910 S *	12/2021	Abe	D13/110
D942,946 S *	2/2022	Takagi	D13/117

OTHER PUBLICATIONS

Inductors. (Design—© Questel) orbit.com. [Online PDF compilation of references] 75 pgs. Print Dates Range Sep. 7, 2020-May 22, 2020 [Retrieved Feb. 8, 2022].*

What is an Inductor? Mar. 30, 2020. CET Technology. <https://www.cettechnology.com/what-is-an-inductor/>.*

Power Inductors: Everything You Need to Know Jan. 18, 2017. Allied Components International. <https://www.alliedcomponents.com/blog/power-inductors-everything-need-know/>.*

Parameters to select an Ideal Inductor for your Design. Jun. 24, 2020. Componets 101. <https://components101.com/articles/how-to-check-for-saturation-current-core-loss-and-other-parameters-for-selecting-an-inductor/>.*

* cited by examiner

Primary Examiner — Manpreet S Matharu

Assistant Examiner — Suzanne E Tisdell

(74) *Attorney, Agent, or Firm* — Cionca IP Law P.C.;
Marin Cionca

(57) **CLAIM**

The ornamental design for an inductor, as shown and described.

DESCRIPTION

FIG. 1 is a top perspective view of an inductor showing the new design;

FIG. 2 is a front side perspective view thereof;

FIG. 3 is a side elevation view thereof;

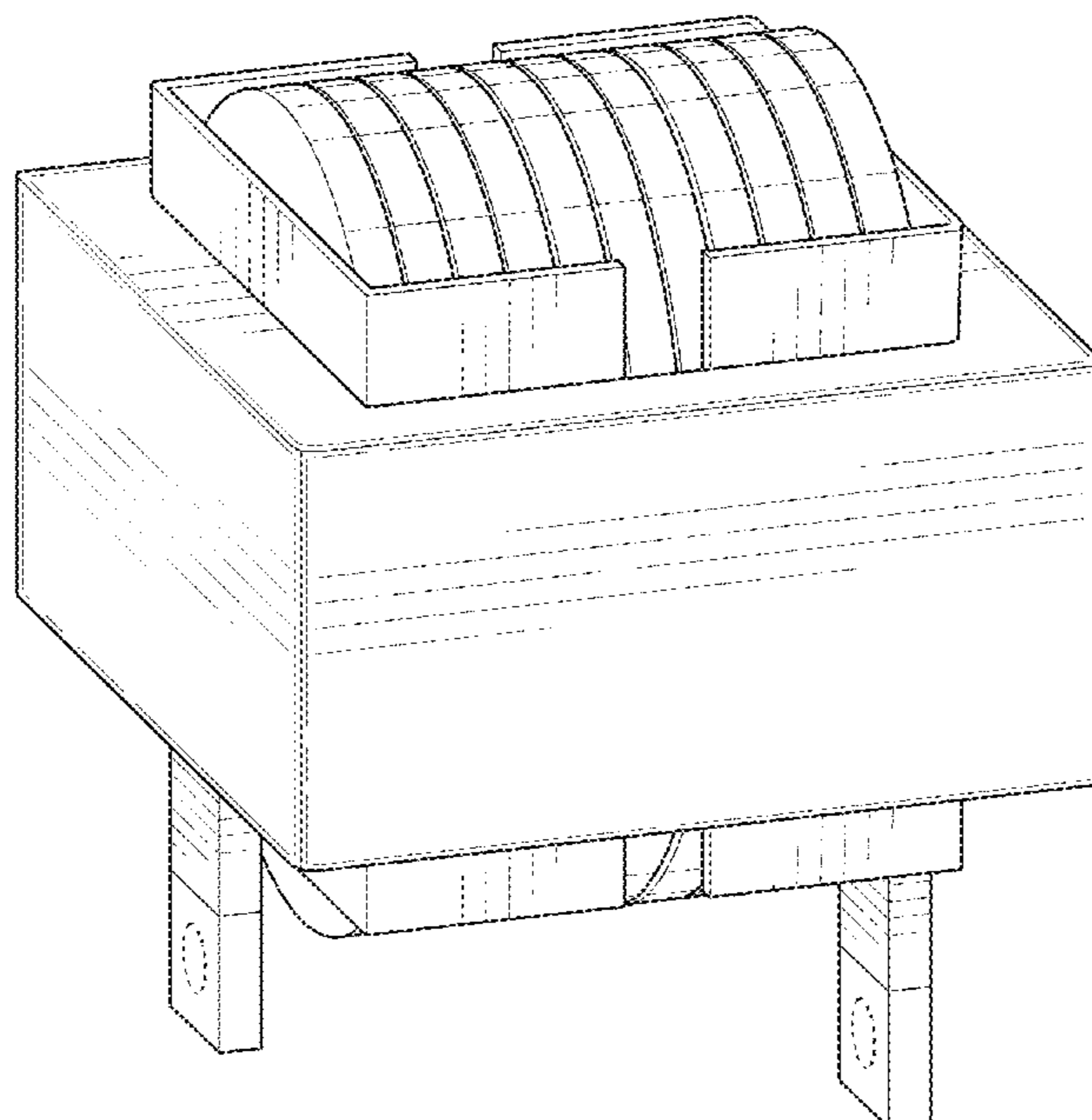
FIG. 4 is a front elevation view thereof, the back side being identical;

FIG. 5 is a top plan view thereof; and,

FIG. 6 is a bottom plan view thereof.

Broken lines included in the drawings show portions of the inductor that form no part of the claimed design.

1 Claim, 6 Drawing Sheets



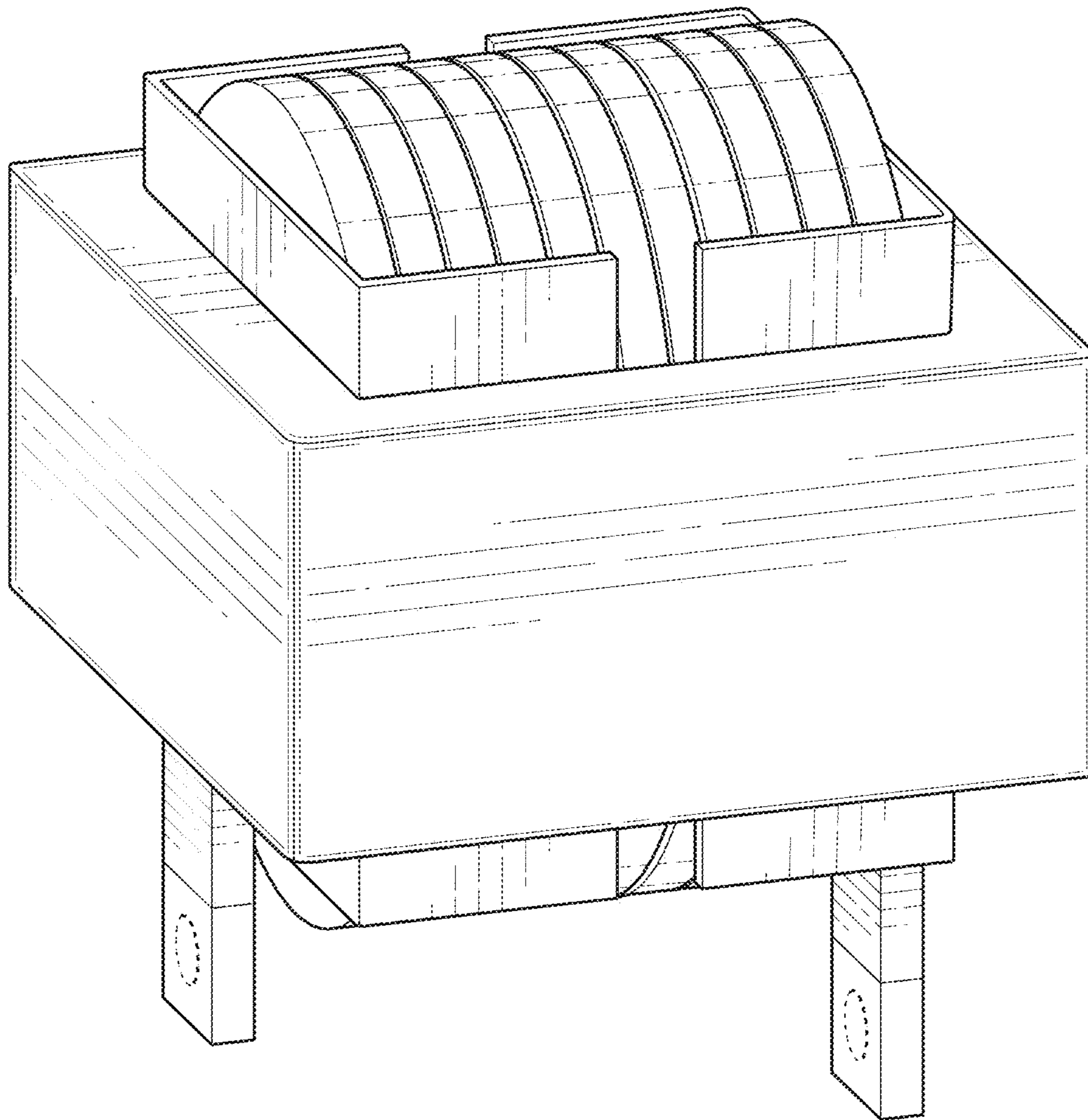


FIG. 1

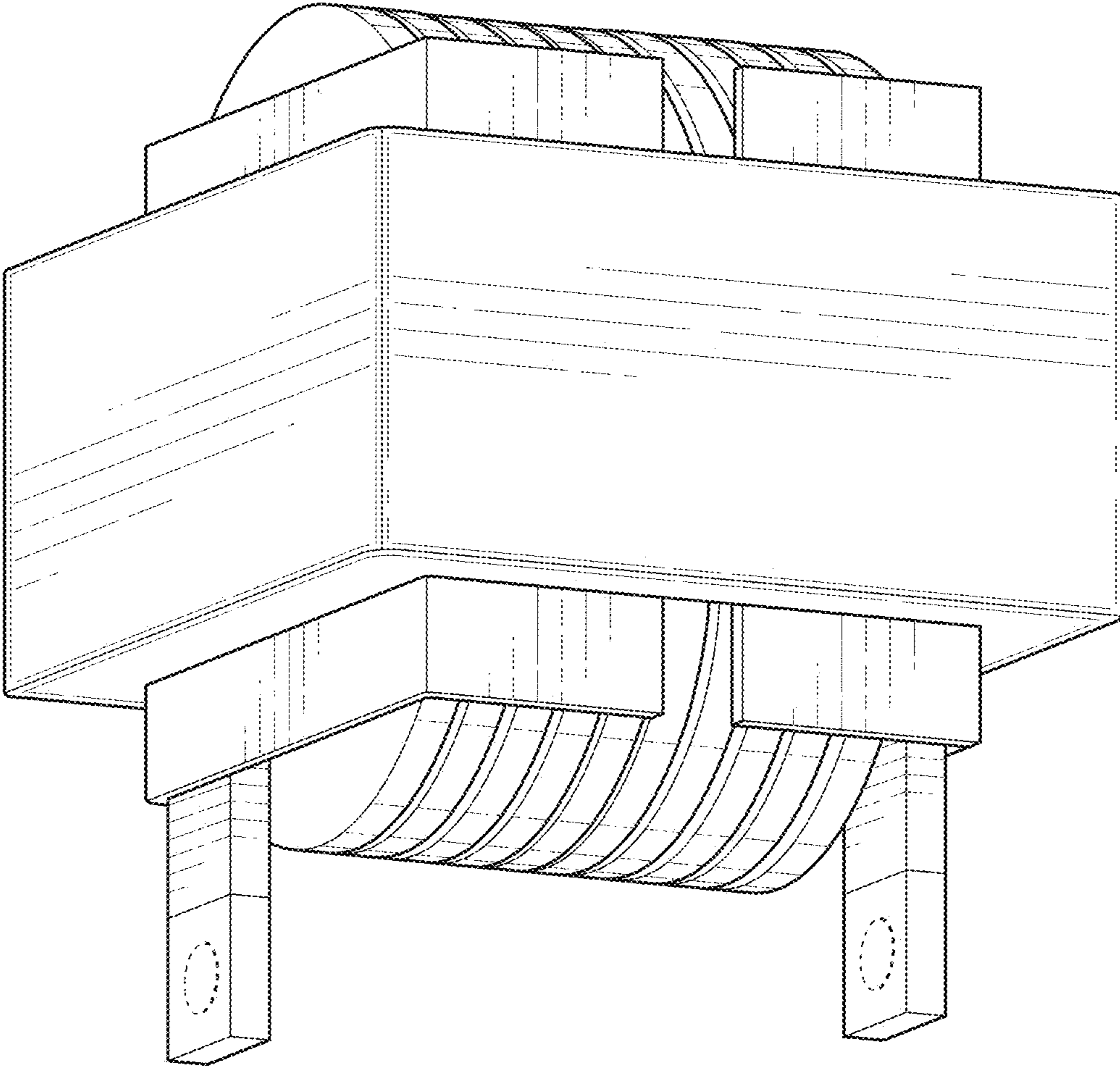


FIG. 2

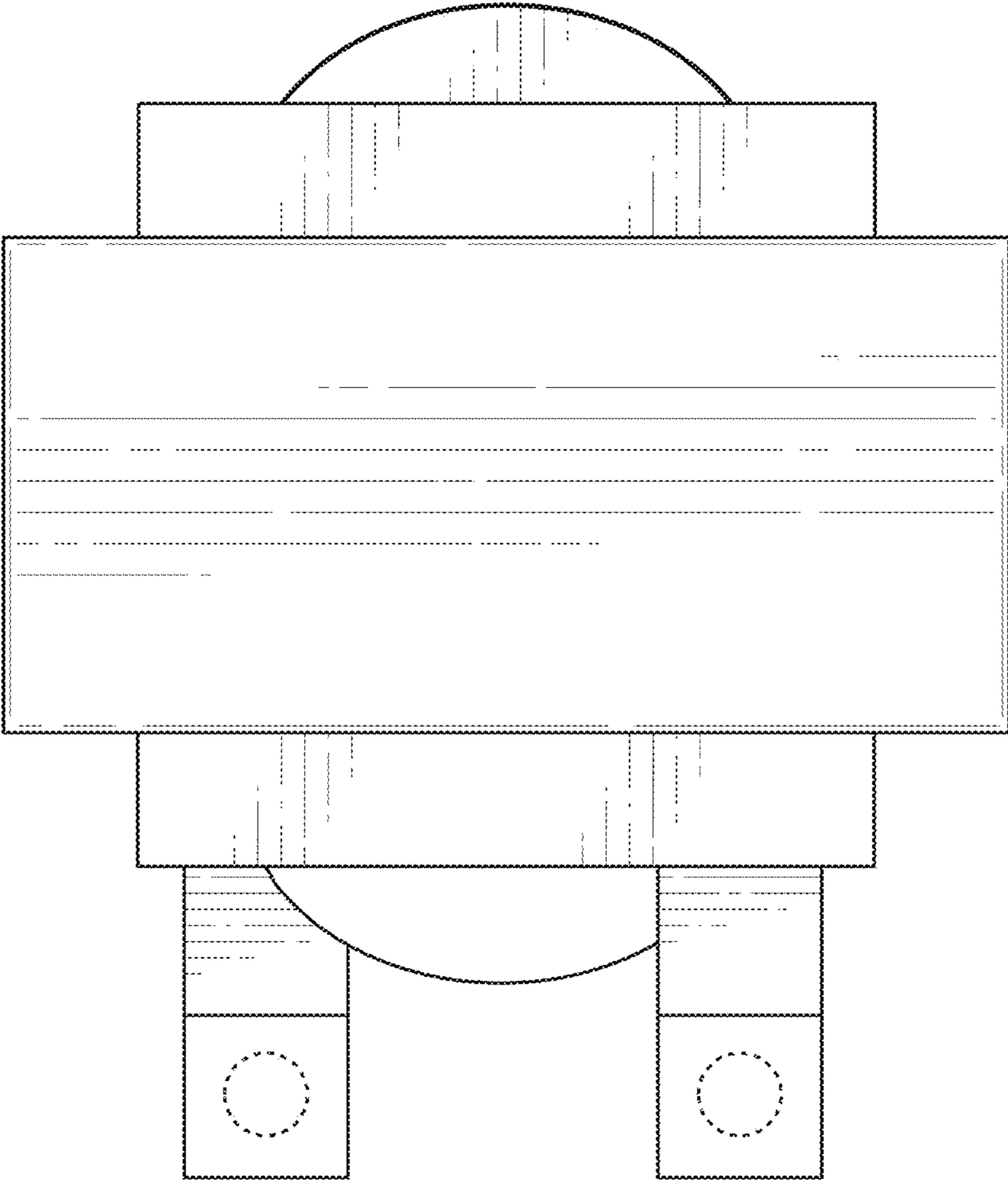


FIG. 3

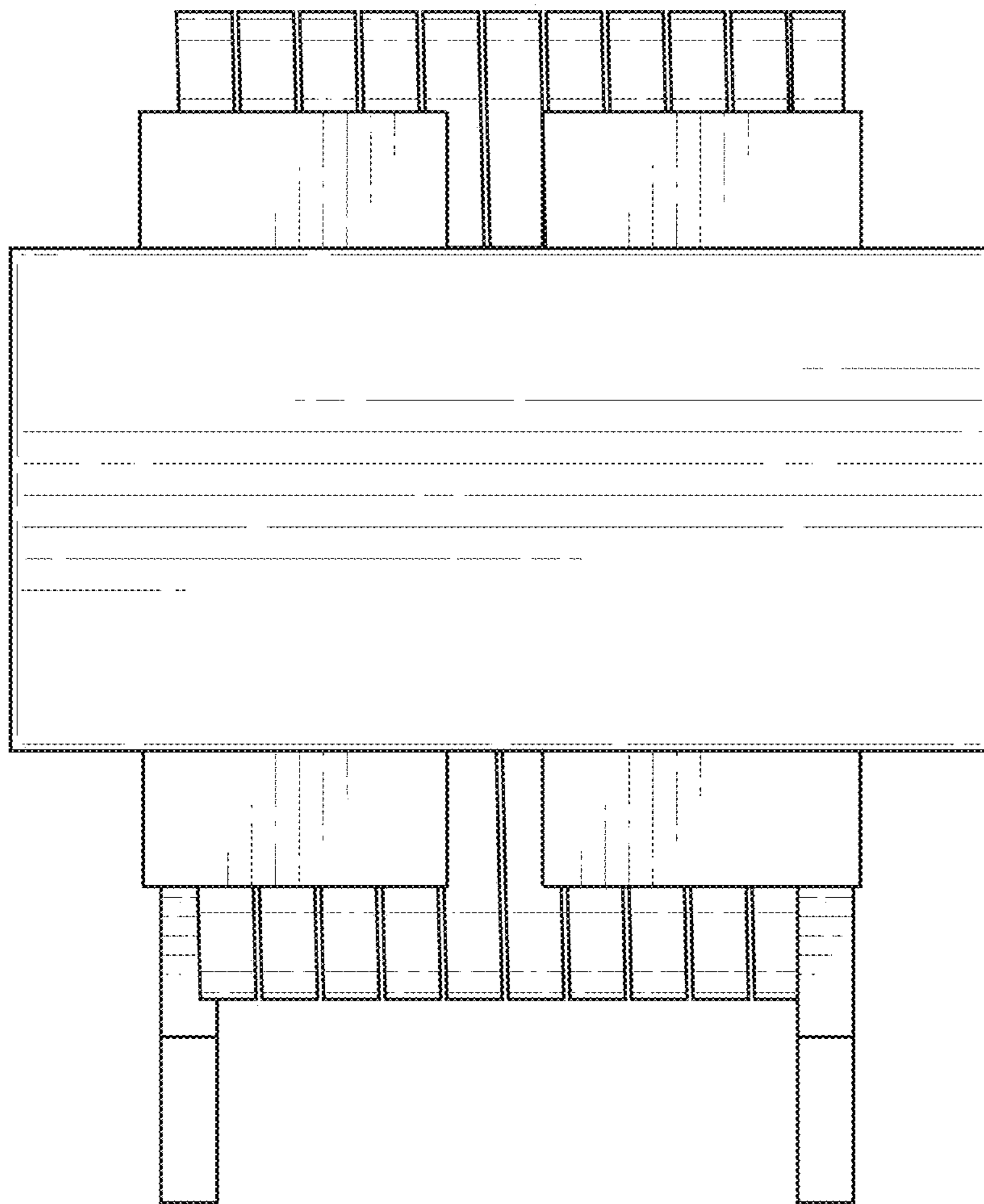


FIG. 4

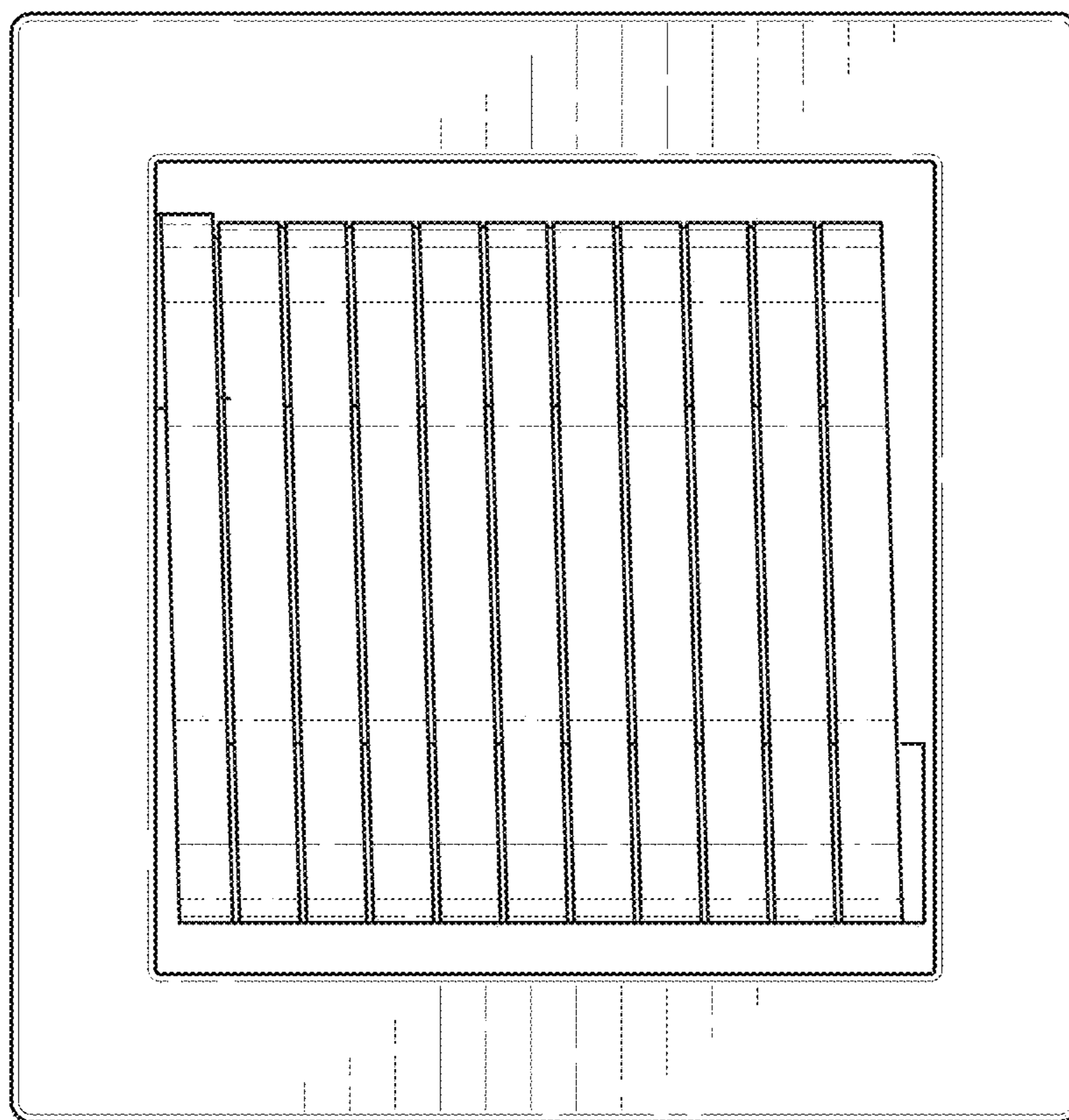


FIG. 5

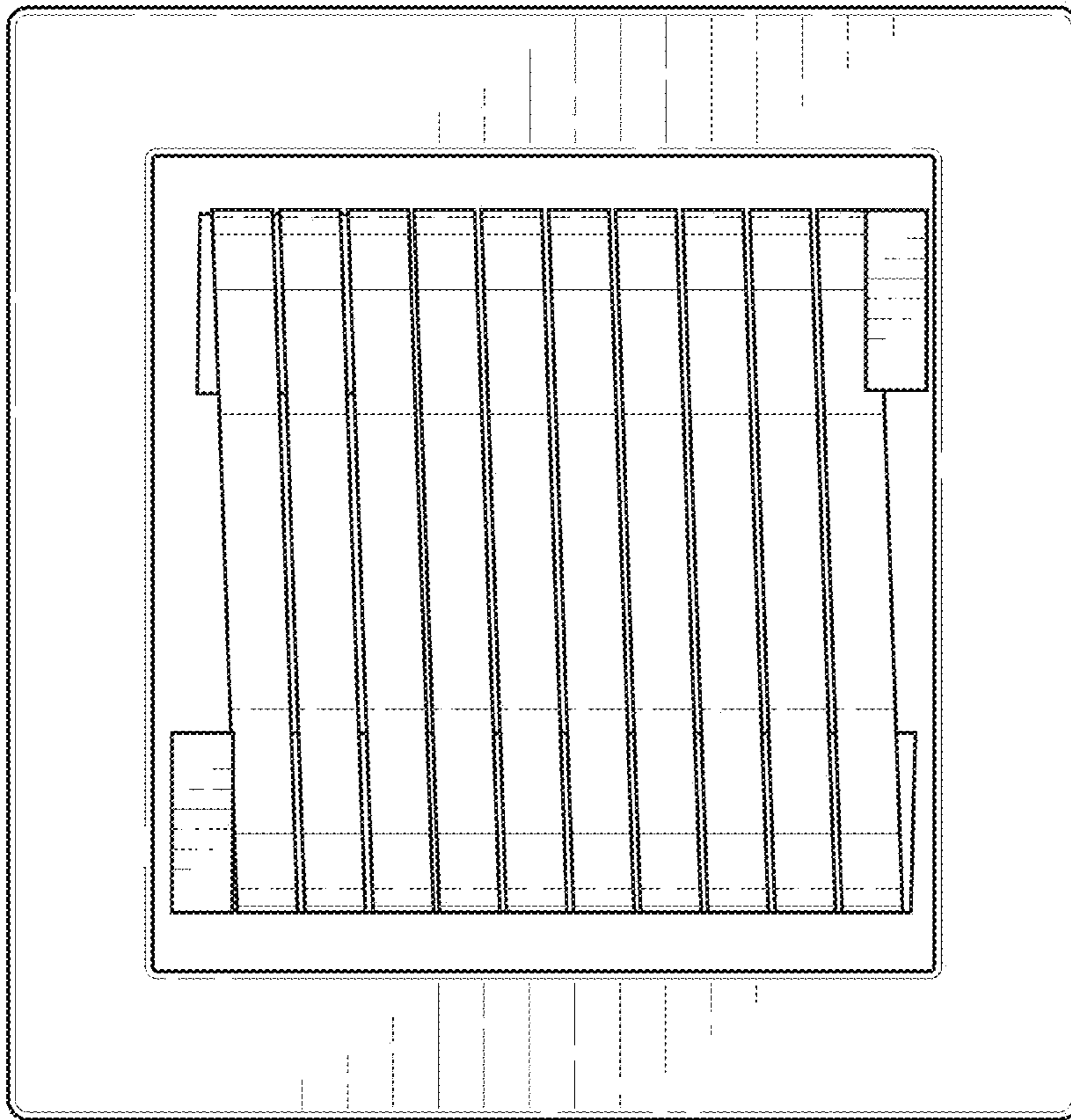


FIG. 6