

US00D962866S

(12) **United States Design Patent**  
**Hong**

(10) **Patent No.:** **US D962,866 S**

(45) **Date of Patent:** **\*\* Sep. 6, 2022**

(54) **POWER INVERTER**

(71) Applicant: **Jiangsu RCT Power Energy Technology Co., Ltd.**, Jiangsu (CN)

(72) Inventor: **Deying Hong**, Suzhou Jiangsu (CN)

(73) Assignee: **Jiangsu RCT Power Energy Technology Co., Ltd.**

(\*\*) Term: **15 Years**

(21) Appl. No.: **29/781,124**

(22) Filed: **Apr. 28, 2021**

(30) **Foreign Application Priority Data**

Jan. 27, 2021 (CN) ..... 202130060050.X

(51) **LOC (13) Cl.** ..... **13-02**

(52) **U.S. Cl.**  
USPC ..... **D13/110**

(58) **Field of Classification Search**  
USPC ..... D13/110, 101, 107, 108, 118, 123, 162,  
D13/164, 184, 199

CPC ..... H02M 7/00; H02M 7/02; H02M 7/003;  
H05K 5/00; H05K 5/0017; H05K 7/00;  
H05K 7/1427; H05K 7/20918

See application file for complete search history.

(56) **References Cited**

**U.S. PATENT DOCUMENTS**

4,872,102 A \* 10/1989 Getter ..... H02M 7/003  
361/709

5,949,640 A \* 9/1999 Cameron ..... H05K 5/0247  
361/600

D620,885 S \* 8/2010 Donth ..... D13/110  
D709,449 S \* 7/2014 Oba ..... D13/110  
D724,535 S \* 3/2015 Wang ..... D13/110  
D798,809 S \* 10/2017 Benn ..... D13/110  
D806,028 S \* 12/2017 Amasaki ..... D13/110  
D817,275 S \* 5/2018 Yeh ..... D13/110  
D831,569 S \* 10/2018 Simoni ..... D13/110  
D894,833 S \* 9/2020 Yamazawa ..... D13/110

\* cited by examiner

*Primary Examiner* — Derrick E Holland

(74) *Attorney, Agent, or Firm* — Hansen IP Law PLLC

(57) **CLAIM**

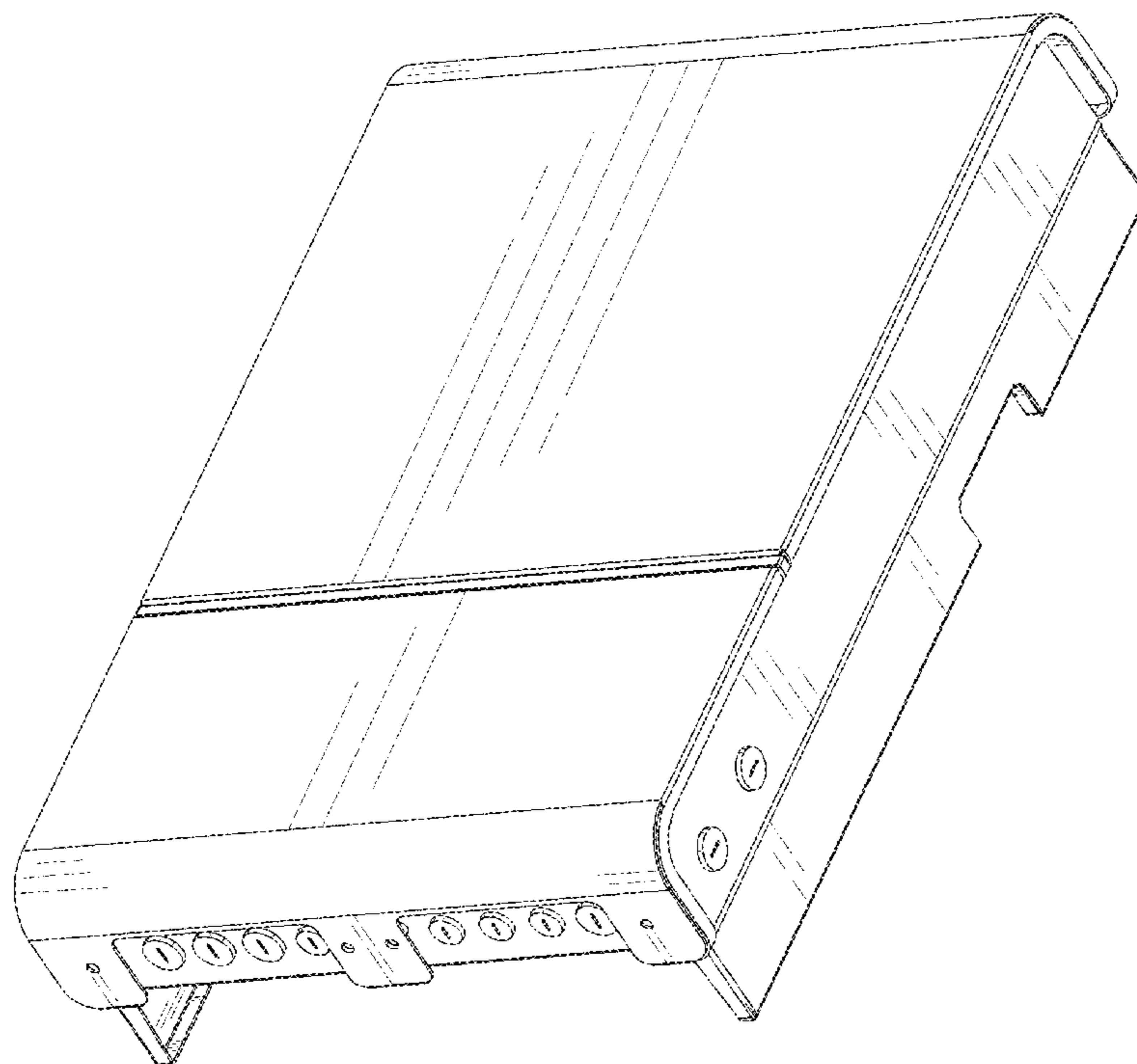
The ornamental design for a power inverter, as shown and described.

**DESCRIPTION**

FIG. 1 is a front perspective view of a power inverter of the present disclosure;  
FIG. 2 is a rear perspective view thereof;  
FIG. 3 is a front elevational view thereof;  
FIG. 4 is a rear elevational view thereof;  
FIG. 5 is a left-side elevational view thereof;  
FIG. 6 is a right-side elevational view thereof;  
FIG. 7 is a top plan view thereof; and,  
FIG. 8 is a bottom plan view thereof.

The broken lines shown in the drawings represent portions of the power inverter and form no part of the claimed design.

**1 Claim, 8 Drawing Sheets**



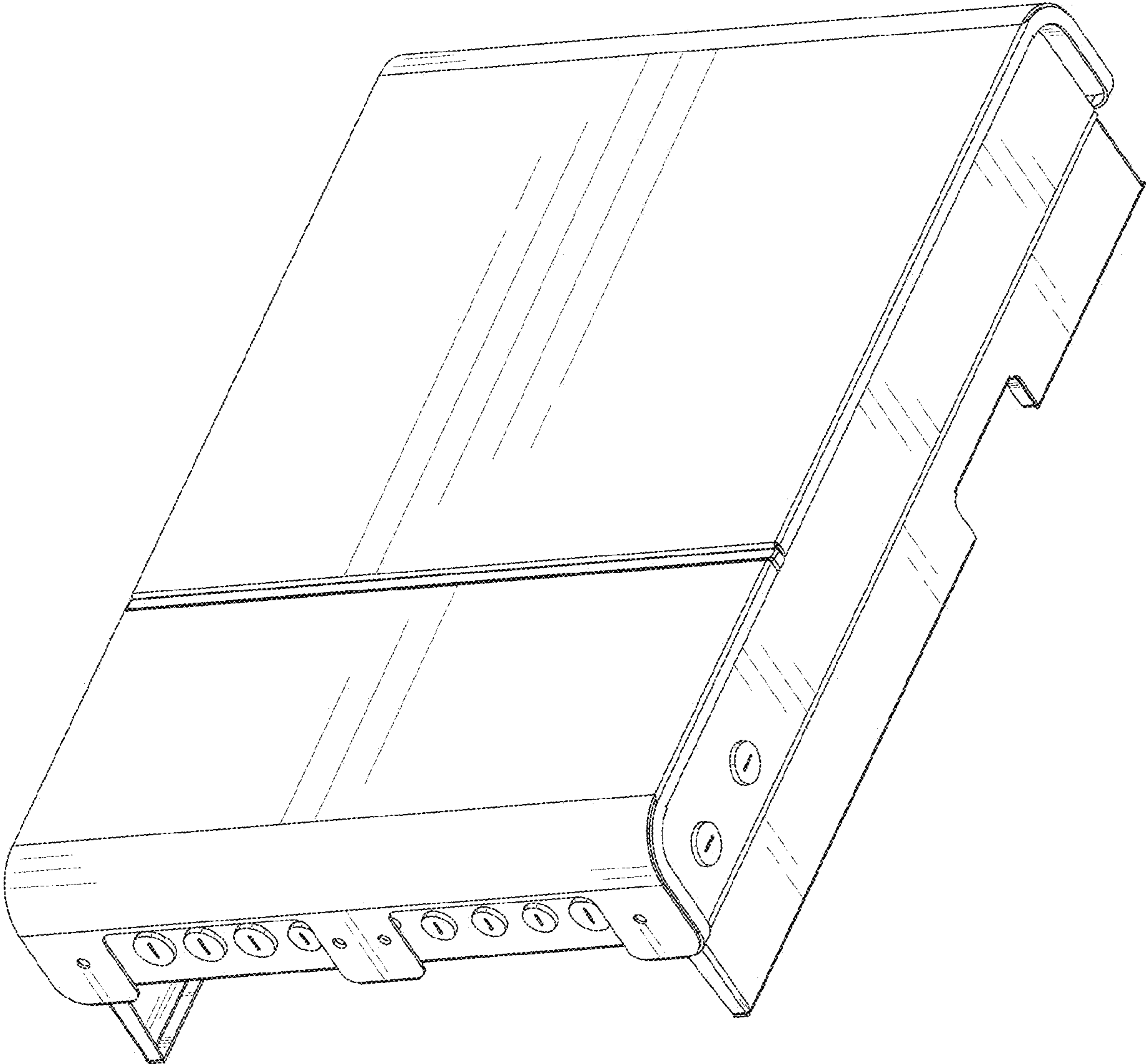


FIG. 1

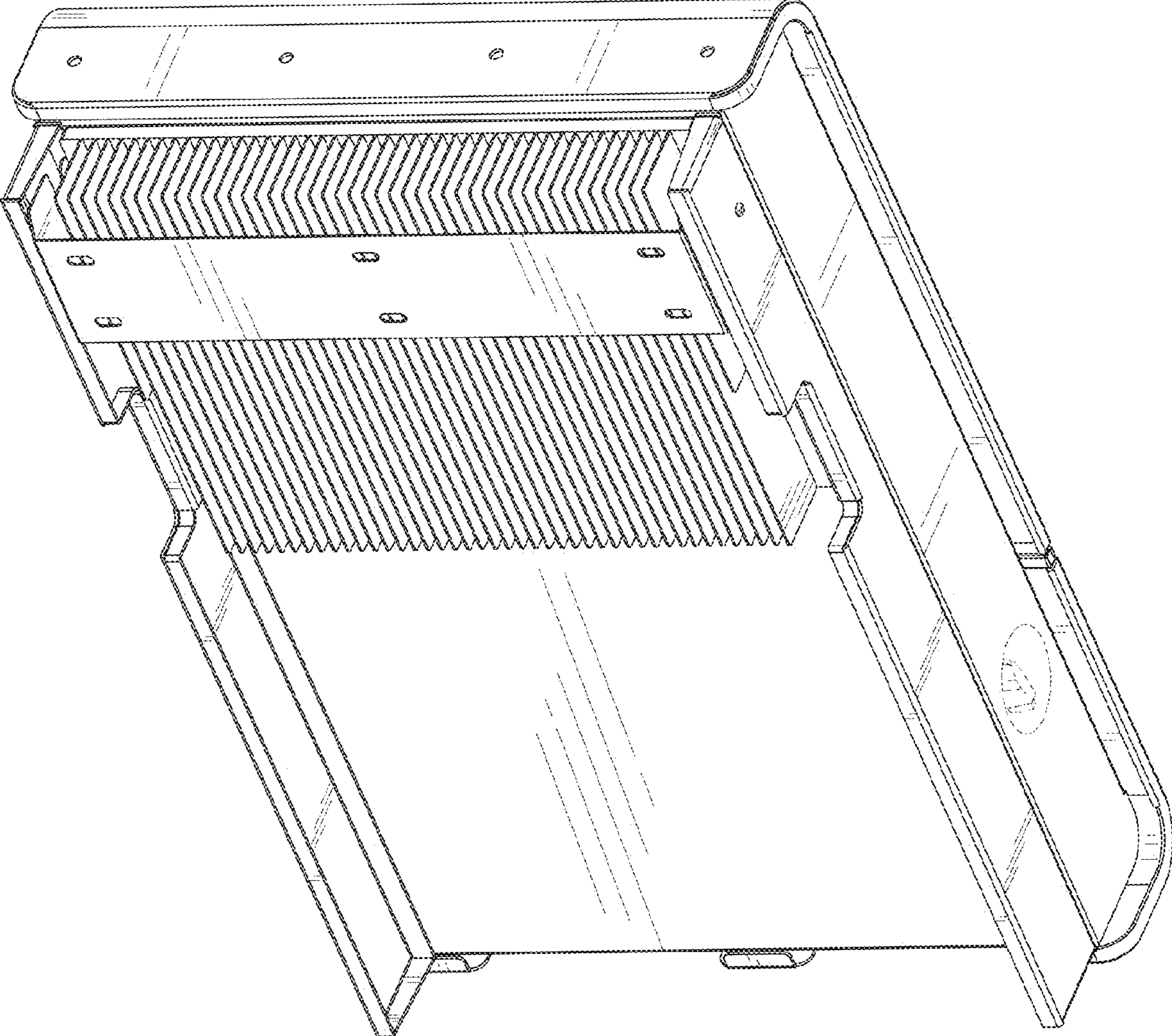


FIG.2



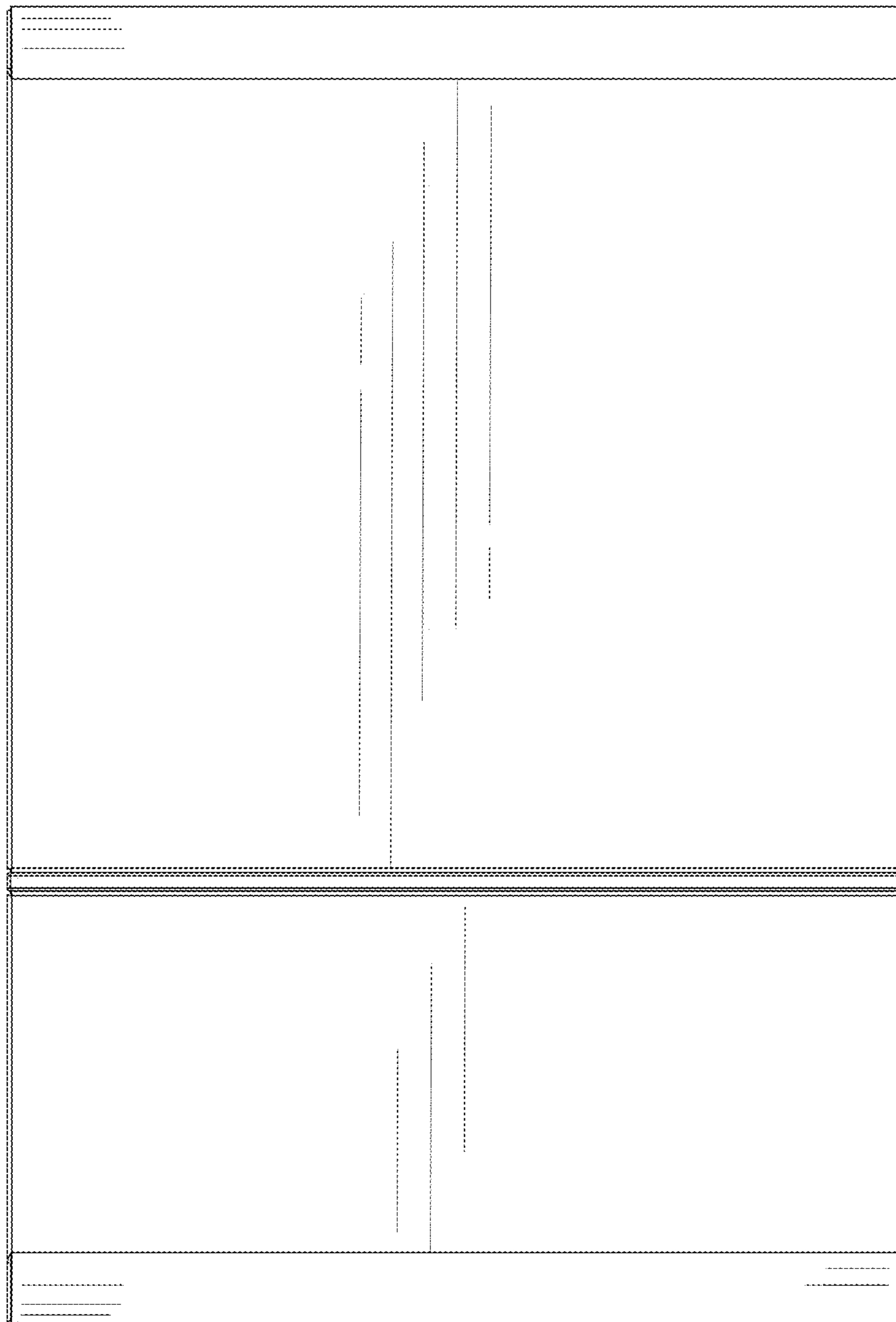


FIG.3

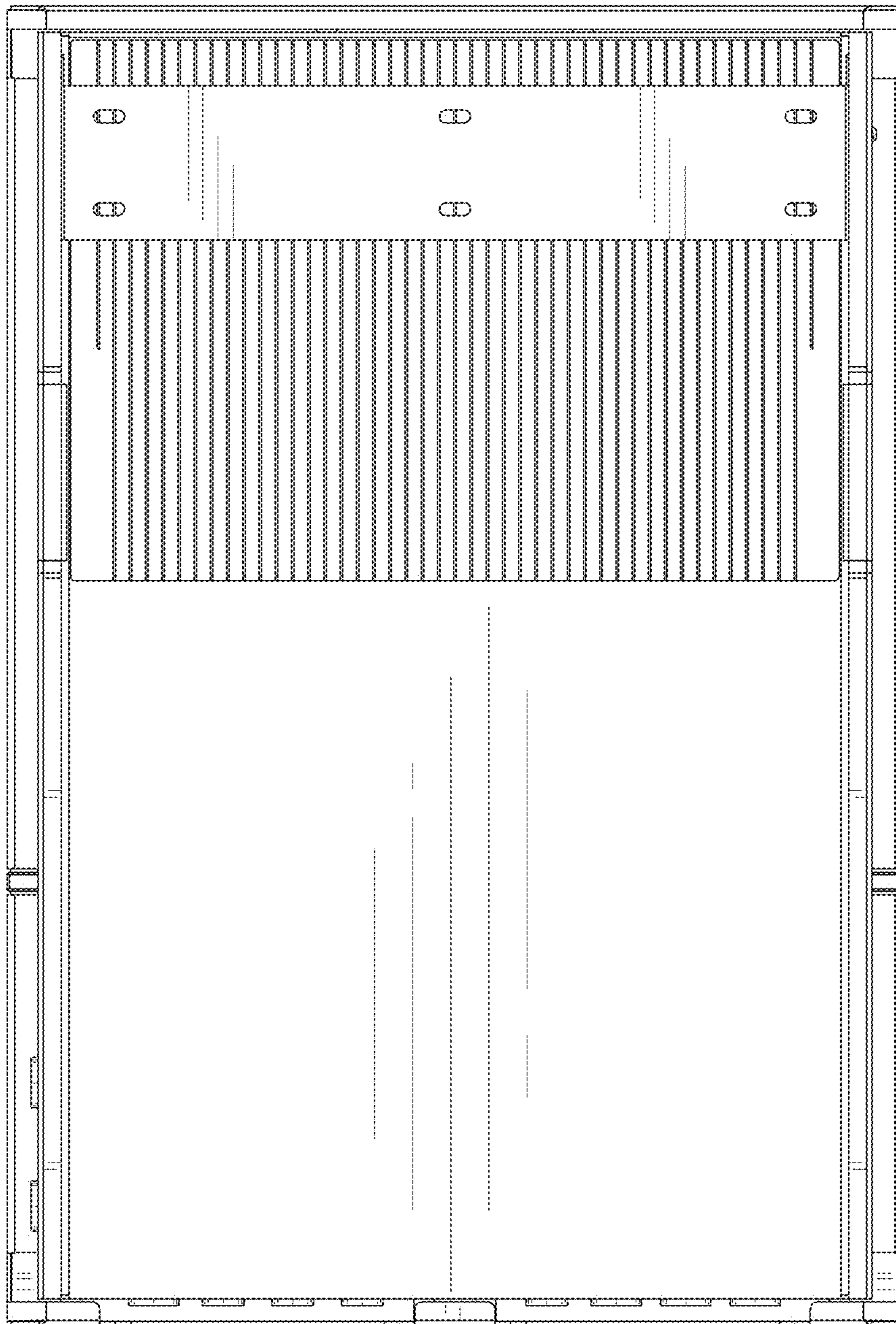


FIG.4

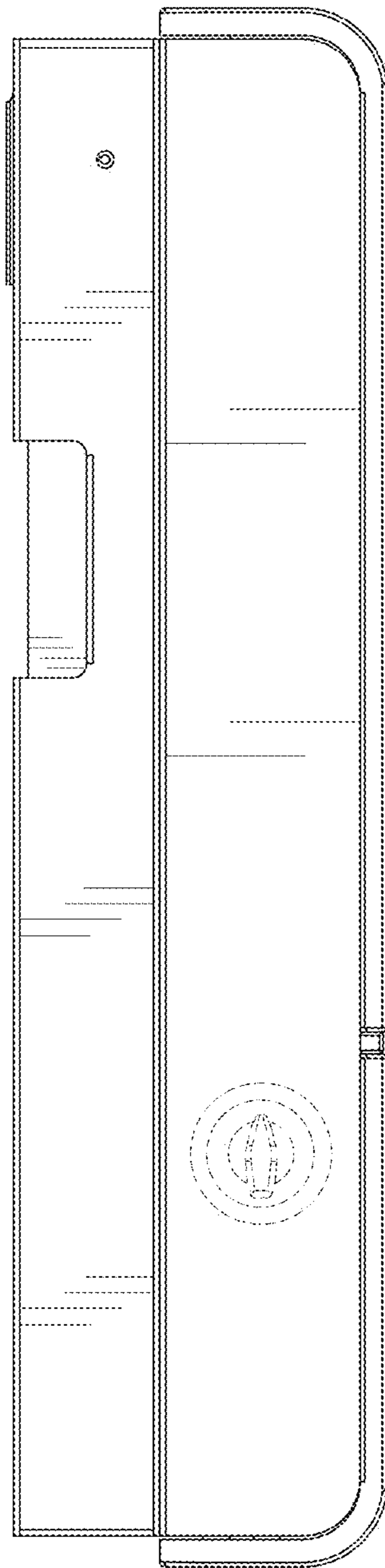


FIG.5

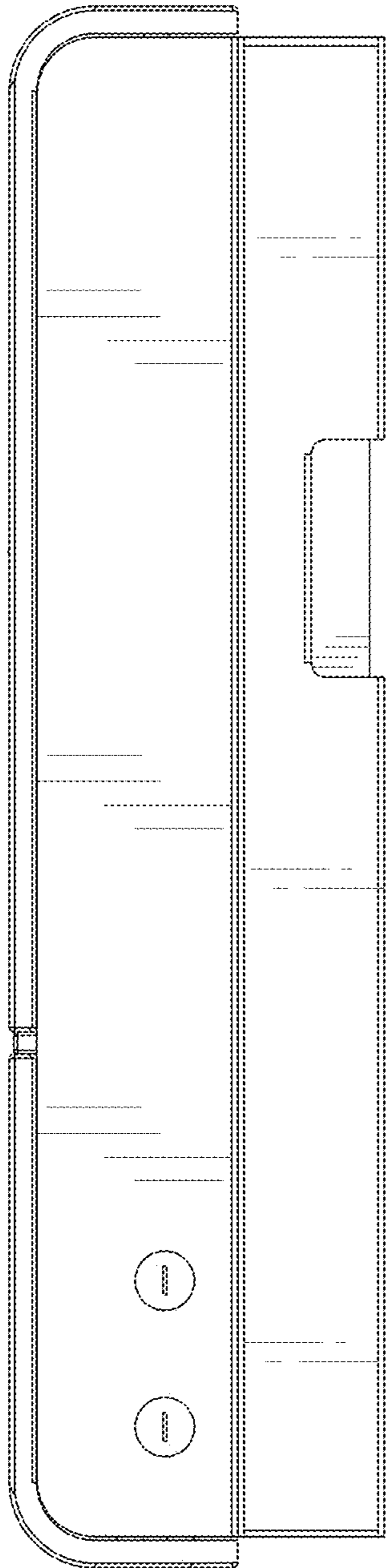


FIG.6

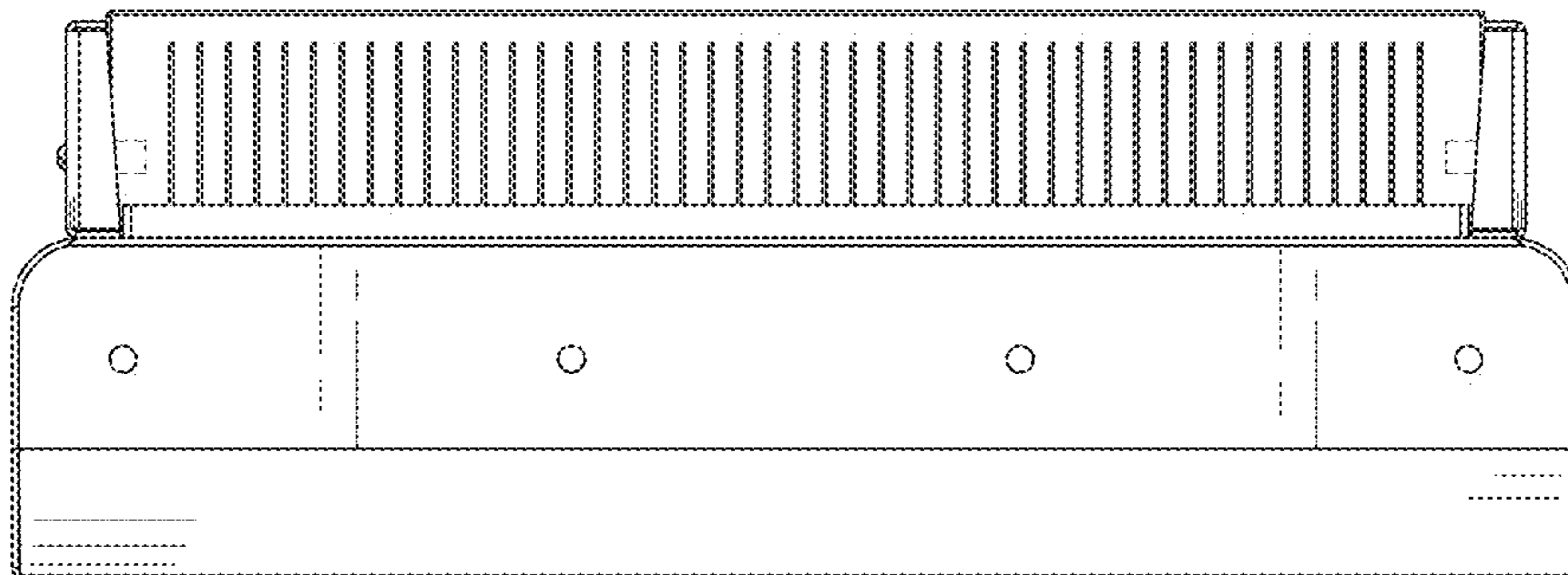


FIG. 7



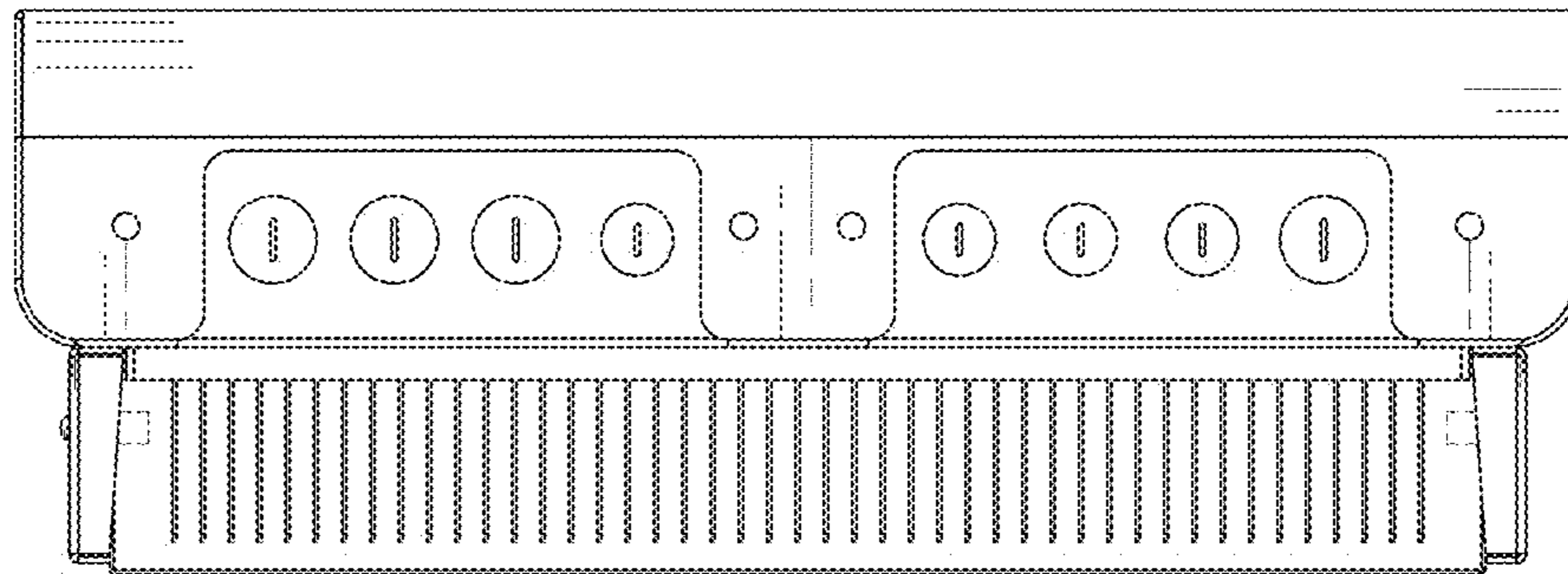


FIG. 8