

US00D962864S

(12) **United States Design Patent**
Tham et al.

(10) **Patent No.:** **US D962,864 S**
(45) **Date of Patent:** **** Sep. 6, 2022**

(54) **CHARGING DOCK**

(71) Applicants: **Yu Jiang Tham**, San Diego, CA (US);
Gerald Nilles, Culver City, CA (US);
Jonathan M. Rodriguez, II, Beverly Hills, CA (US); **Nir Daube**, Pacific Palisades, CA (US)

(72) Inventors: **Yu Jiang Tham**, San Diego, CA (US);
Gerald Nilles, Culver City, CA (US);
Jonathan M. Rodriguez, II, Beverly Hills, CA (US); **Nir Daube**, Pacific Palisades, CA (US)

(73) Assignee: **Snap Inc.**, Santa Monica, CA (US)

(**) Term: **15 Years**

(21) Appl. No.: **29/804,714**

(22) Filed: **Aug. 23, 2021**

Related U.S. Application Data

(63) Continuation of application No. 29/716,808, filed on Dec. 12, 2019, now Pat. No. Des. 932,429.

(51) **LOC (13) Cl.** **13-02**

(52) **U.S. Cl.**
USPC **D13/108**

(58) **Field of Classification Search**
USPC D13/103, 104, 107, 108, 118, 119, 120,
D13/121, 122, 133, 146, 153, 154, 156,
D13/184, 199; D14/432, 433, 434, 439
CPC H01R 29/00; H01R 13/62; H02J 7/00047
See application file for complete search history.

(56) **References Cited**

U.S. PATENT DOCUMENTS

D374,425 S 10/1996 Crane
D445,760 S * 7/2001 Minagawa D13/108
D511,745 S * 11/2005 Lamason D13/108
D519,450 S 4/2006 Lyman et al.

D600,640 S * 9/2009 Stein D13/103
D647,848 S 11/2011 Yen et al.
D691,086 S * 10/2013 Custon D13/108
D694,228 S * 11/2013 Richter D14/253

(Continued)

OTHER PUBLICATIONS

“Lamshaw Charger”. Found online Feb. 8, 2022 at amazon.com. Reference dated Mar. 5, 2018. Retrieved from <https://www.amazon.com/Amazfit-Lamshaw-Replacement-Charging-Smartwatch/dp/B07B7QN9PY>. (Year: 2018).*

(Continued)

Primary Examiner — Kendra Leslie Hamilton

Assistant Examiner — Amanda Christensen

(74) *Attorney, Agent, or Firm* — Culhane Meadows PLLC; Stephen J. Weed

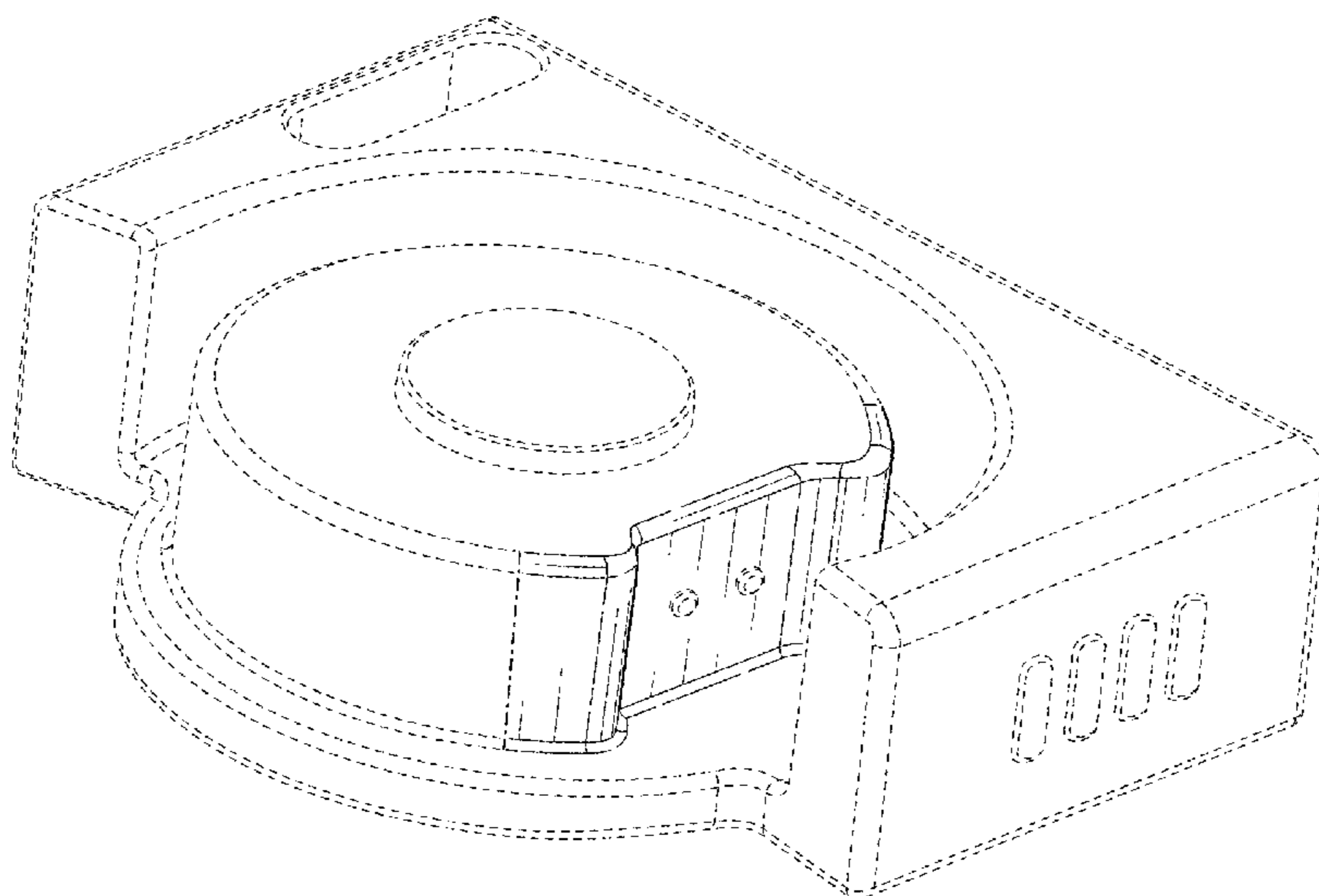
(57) **CLAIM**

The ornamental design for a charging dock, as shown and described.

DESCRIPTION

FIG. 1 is a perspective view showing the front, left, and bottom sides of a charging dock showing our new design; FIG. 2 is a front plan view thereof; FIG. 3 is a back elevation view thereof; FIG. 4 is a top elevation view thereof; FIG. 5 is a bottom elevation view thereof; FIG. 6 is a left side elevation view thereof; FIG. 7 is a right side elevation view thereof; FIG. 8 is a front plan cross-sectional view in the direction of line 8-8 of FIG. 6; and, FIG. 9 is a bottom cross-sectional elevation view in the direction of line 9-9 of FIG. 6. The equal-length broken lines in the drawings depict portions of the charging dock that form no part of the claimed design. The dash-dot-dash broken lines define the boundaries of the claim.

1 Claim, 6 Drawing Sheets



(56)

References Cited

U.S. PATENT DOCUMENTS

D706,212 S * 6/2014 Zwierstra D13/107
 9,252,605 B1 2/2016 Custon et al.
 D766,423 S * 9/2016 Kim D24/111
 9,577,467 B1 2/2017 Karanikos et al.
 9,605,790 B1 * 3/2017 Alonzo F16M 13/00
 D783,524 S 4/2017 Ju
 D821,307 S * 6/2018 Calachan D13/107
 D891,366 S 7/2020 Xie et al.
 D896,173 S 9/2020 Zhang et al.
 D897,282 S * 9/2020 Ye D13/107
 D913,221 S 3/2021 Druce et al.
 D913,222 S 3/2021 Albay et al.
 D925,118 S * 7/2021 Kim D27/194
 D932,429 S 10/2021 Tham et al.
 2016/0026215 A1 * 1/2016 Armstrong G06F 1/1698
 320/103
 2019/0109411 A1 4/2019 Sun et al.
 2020/0153260 A1 5/2020 Yuen
 2021/0066903 A1 3/2021 Hu et al.
 2021/0173451 A1 * 6/2021 Daube G01C 19/00

OTHER PUBLICATIONS

“Sikai Case Charger”. Found online Feb. 8, 2022 at amazon.com. Reference dated Apr. 24, 2019. Retrieved from <https://www.amazon.in/Amazfit-Charger-Portable-Magnetic-Charging/dp/B07H3WWDKB>. (Year: 2019).*

“Ticwatch Charger Adapter”. Found online Feb. 8, 2022 at alitools.io. Reference dated Mar. 23, 2019. Retrieved from <https://alitools.io/en/showcase/universal-replacement-smartwatch-charging-cable-charger-adapter-for-ticwatch-s-e-32973239292>. (Year: 2019).*

“Charger Compatible with Garmin Fenix”. Found online Apr. 7, 2021 at amazon.com. Reference dated Nov. 1, 2018. Retrieved from https://www.amazon.com/gp/product/B07N18DX6Y/ref=as_li_ss_tl. (Year: 2018).

“Oura Ring review”. Found online Apr. 7, 2021 at the-gadgeteer.com Reference dated Aug. 11, 2017. Retrieved from <https://the-gadgeteer.com/2017/08/11/oura-ring-review/> (Year: 2017).

“SmartWatch Dock”. Found online Apr. 7, 2021 at youtube.com. Reference dated Jun. 2, 2016. Retrieved from <https://www.youtube.com/watch?v=9zDOOwNhd-c>. (Year: 2016).

* cited by examiner

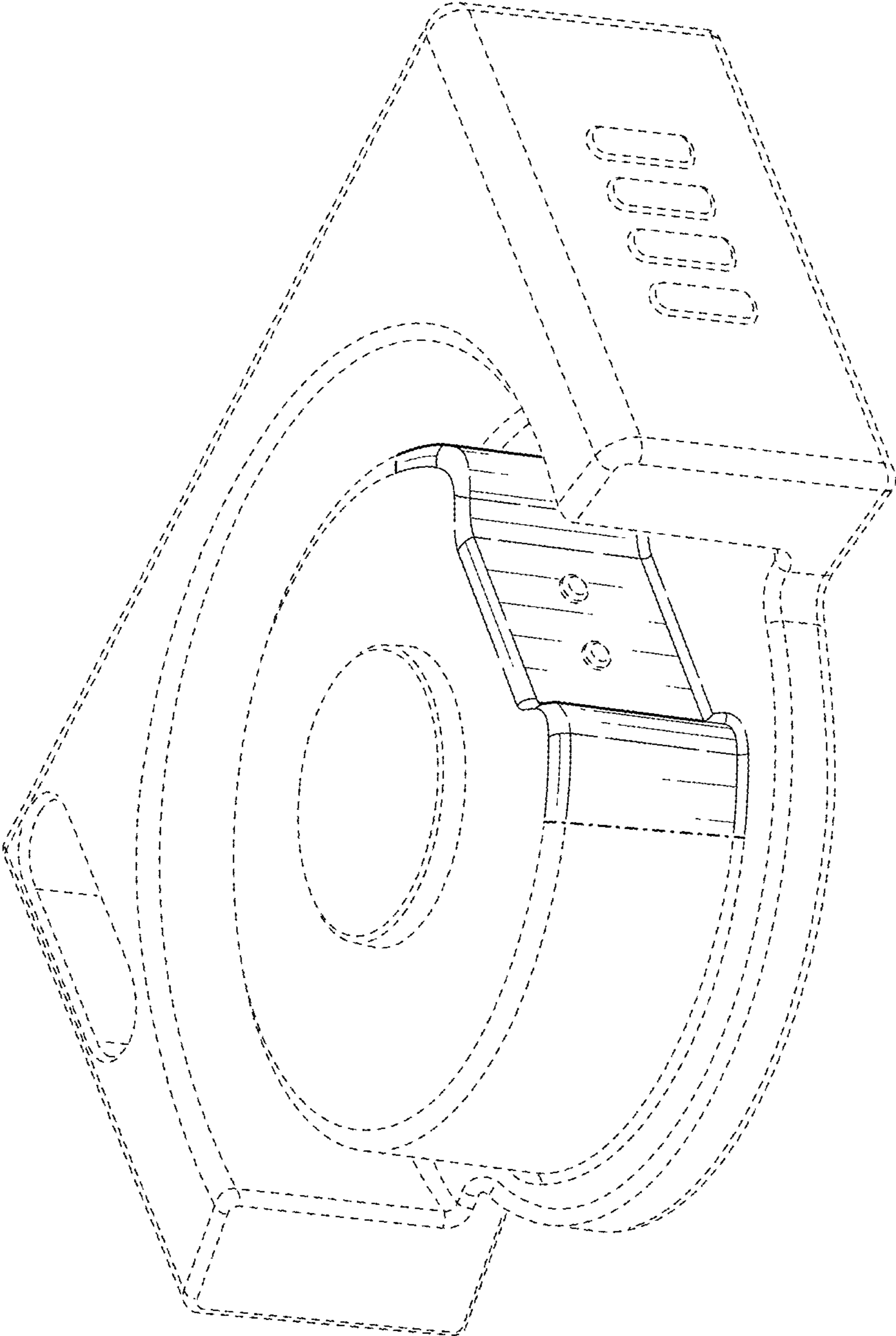


FIG. 1

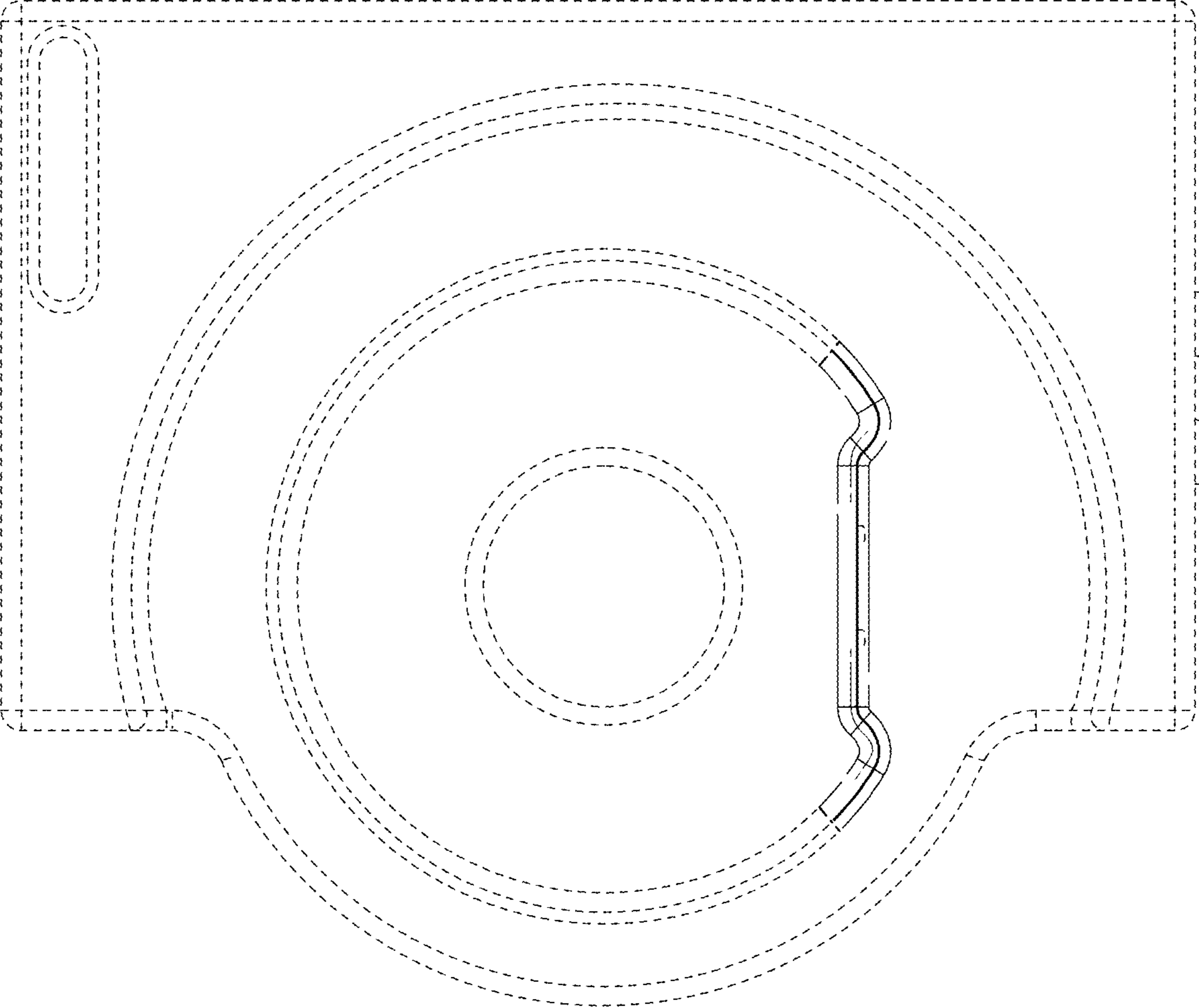


FIG. 2

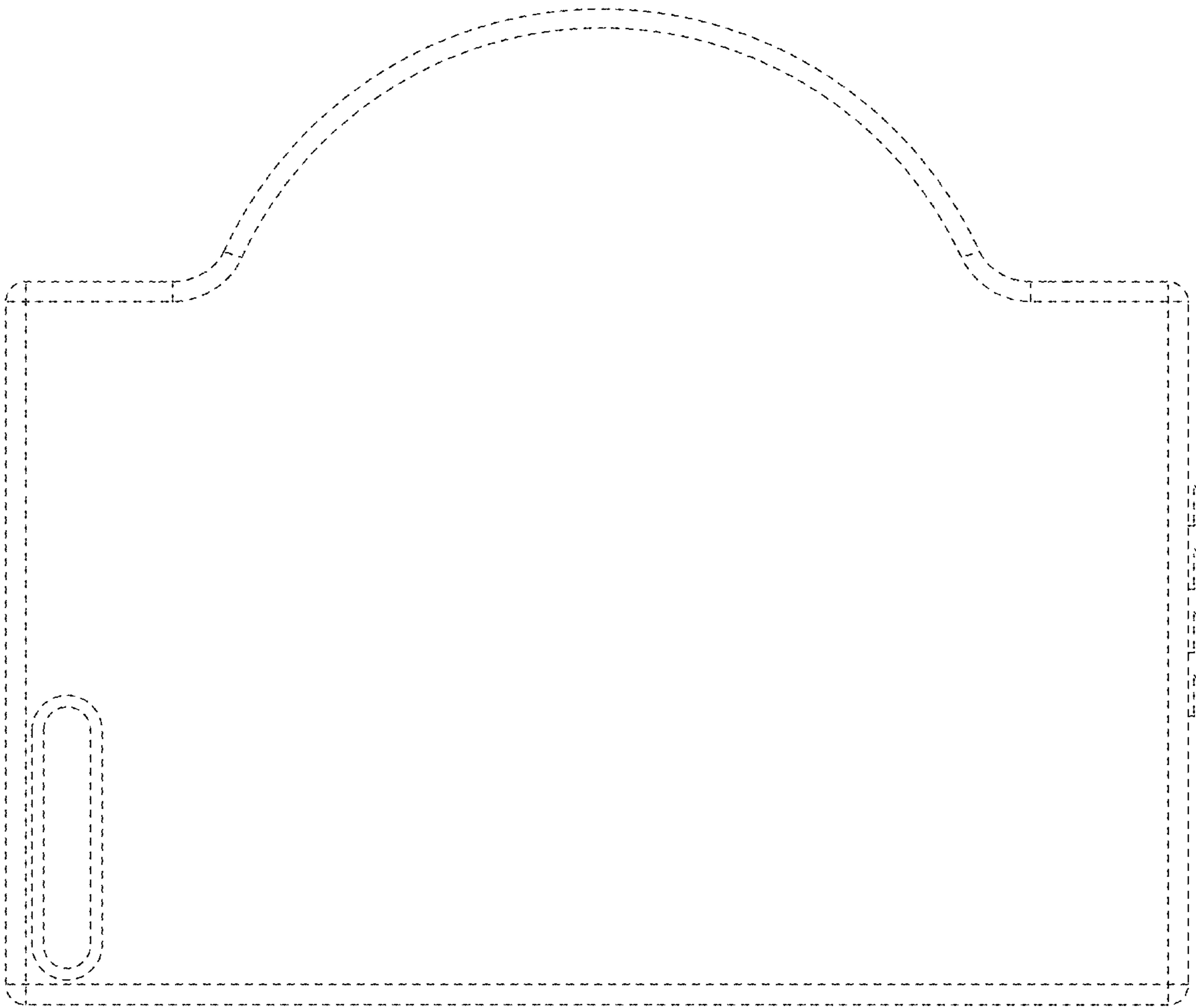


FIG. 3

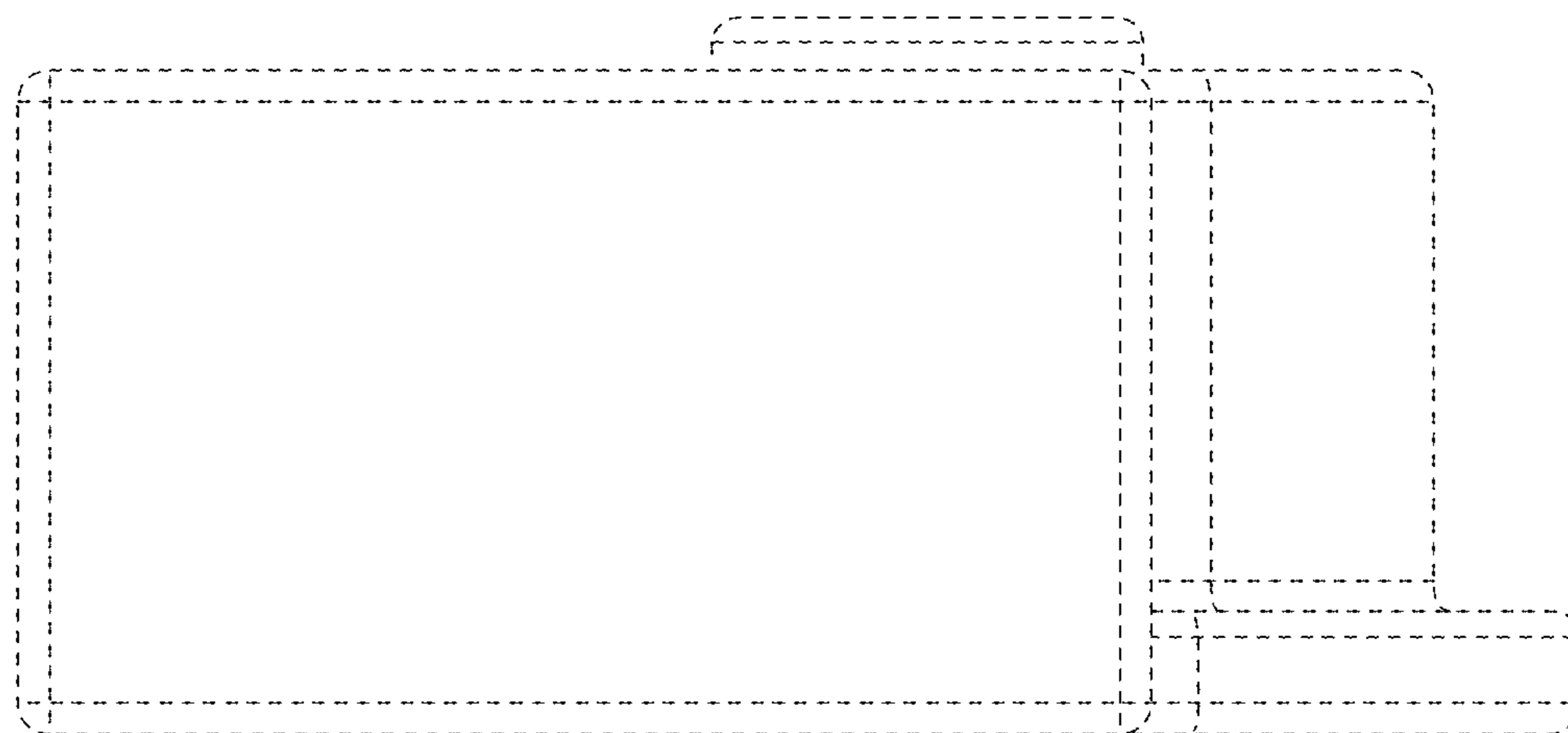


FIG. 4

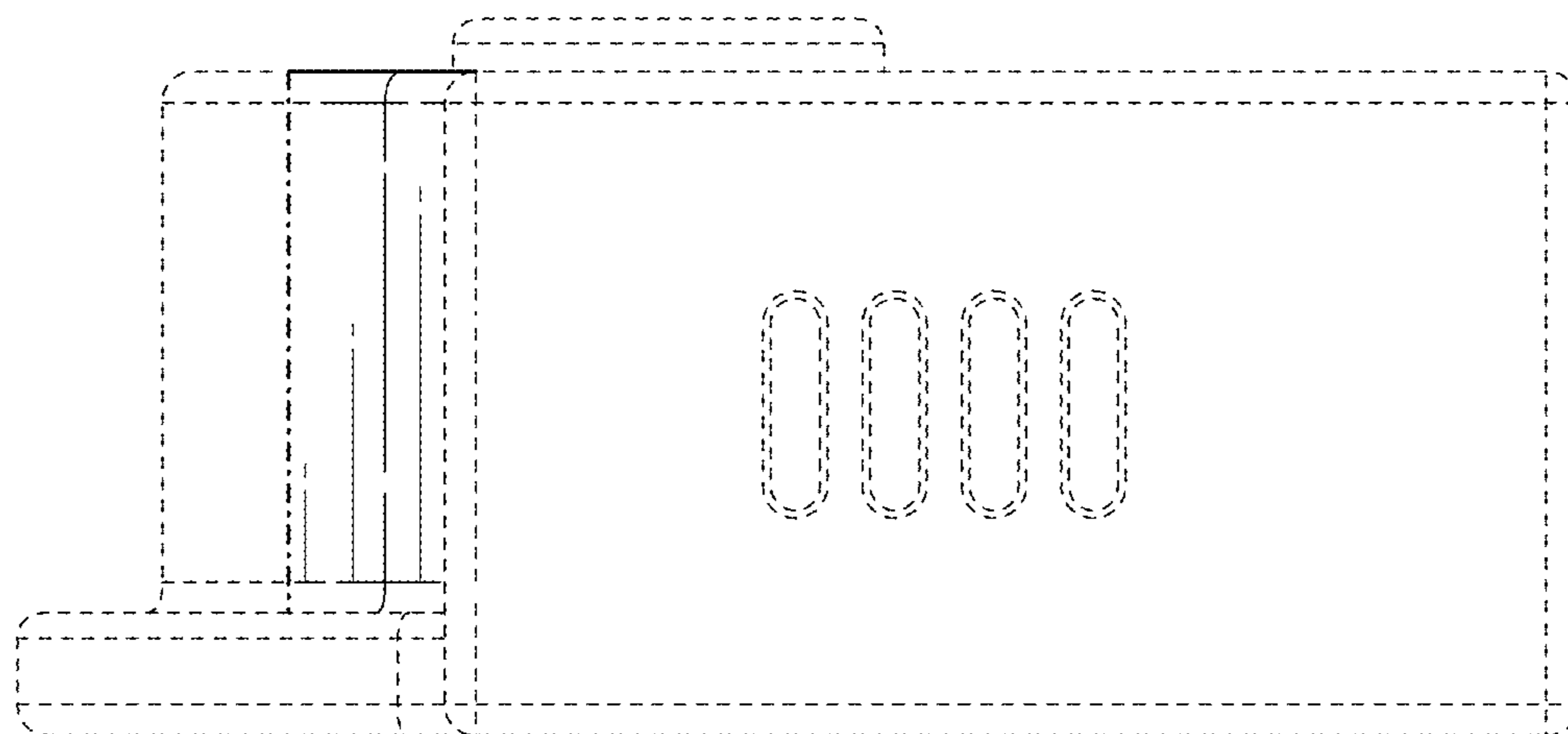


FIG. 5

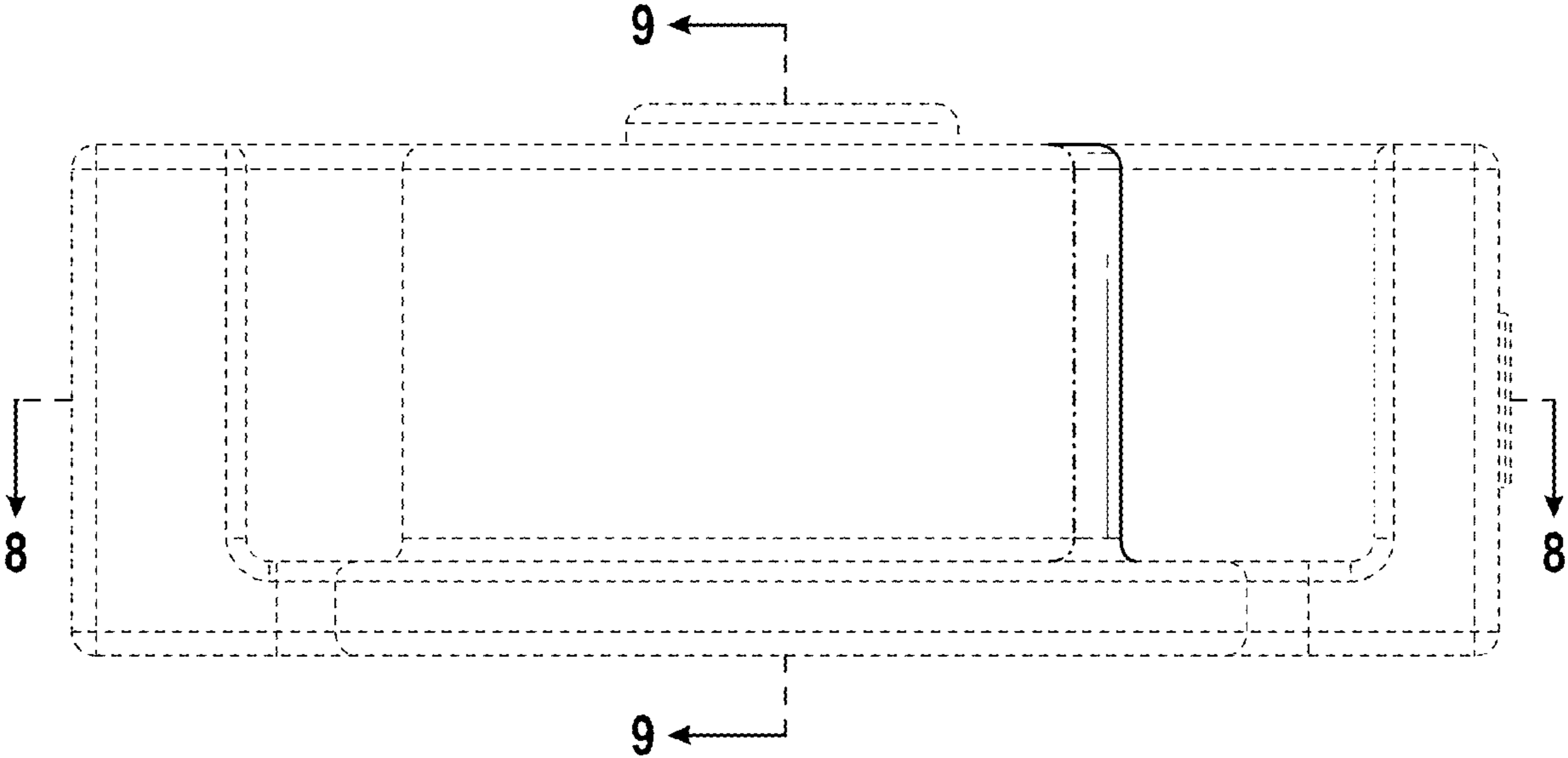


FIG. 6

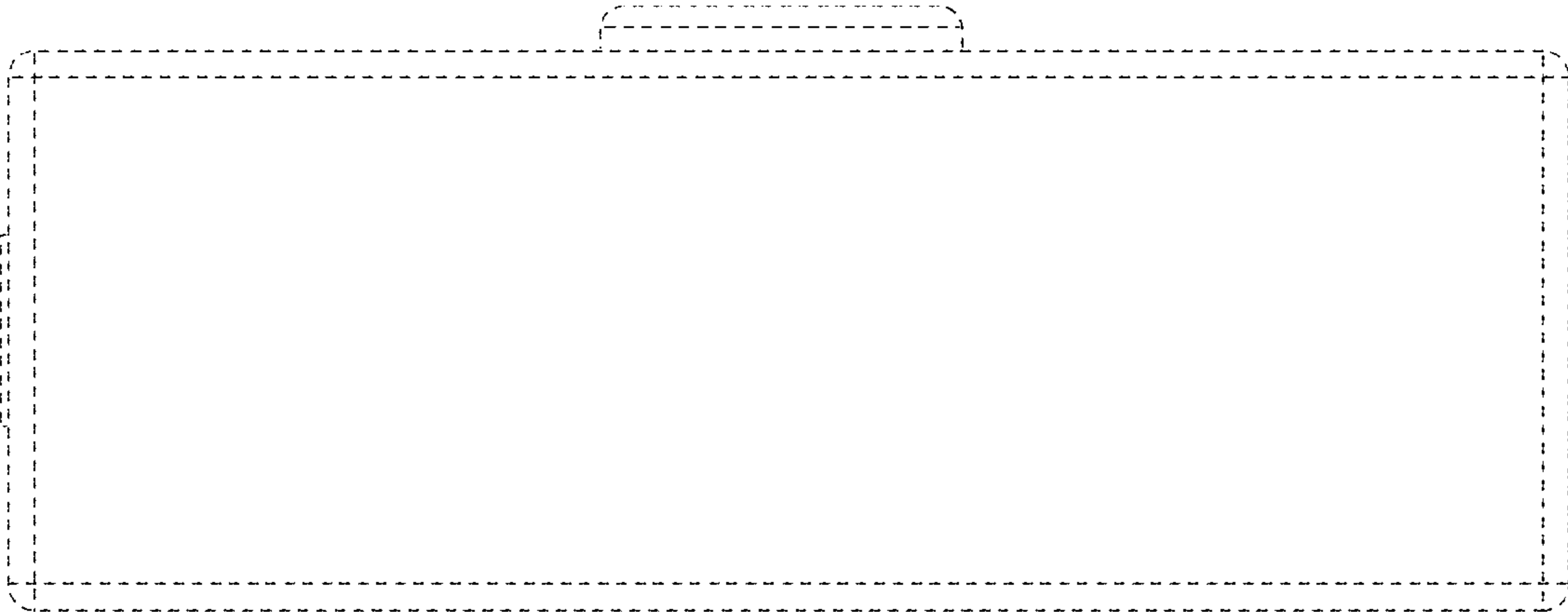


FIG. 7

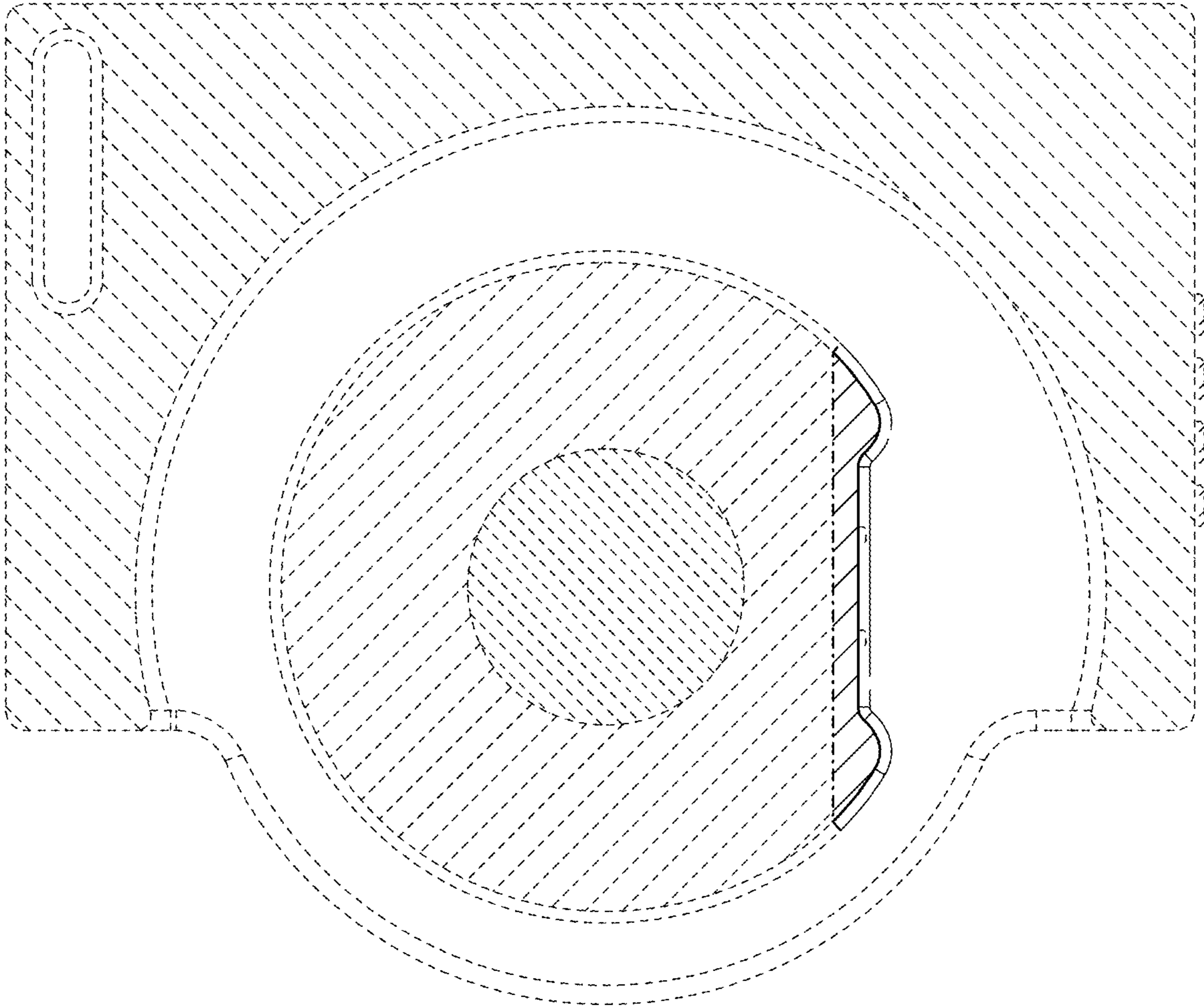


FIG. 8

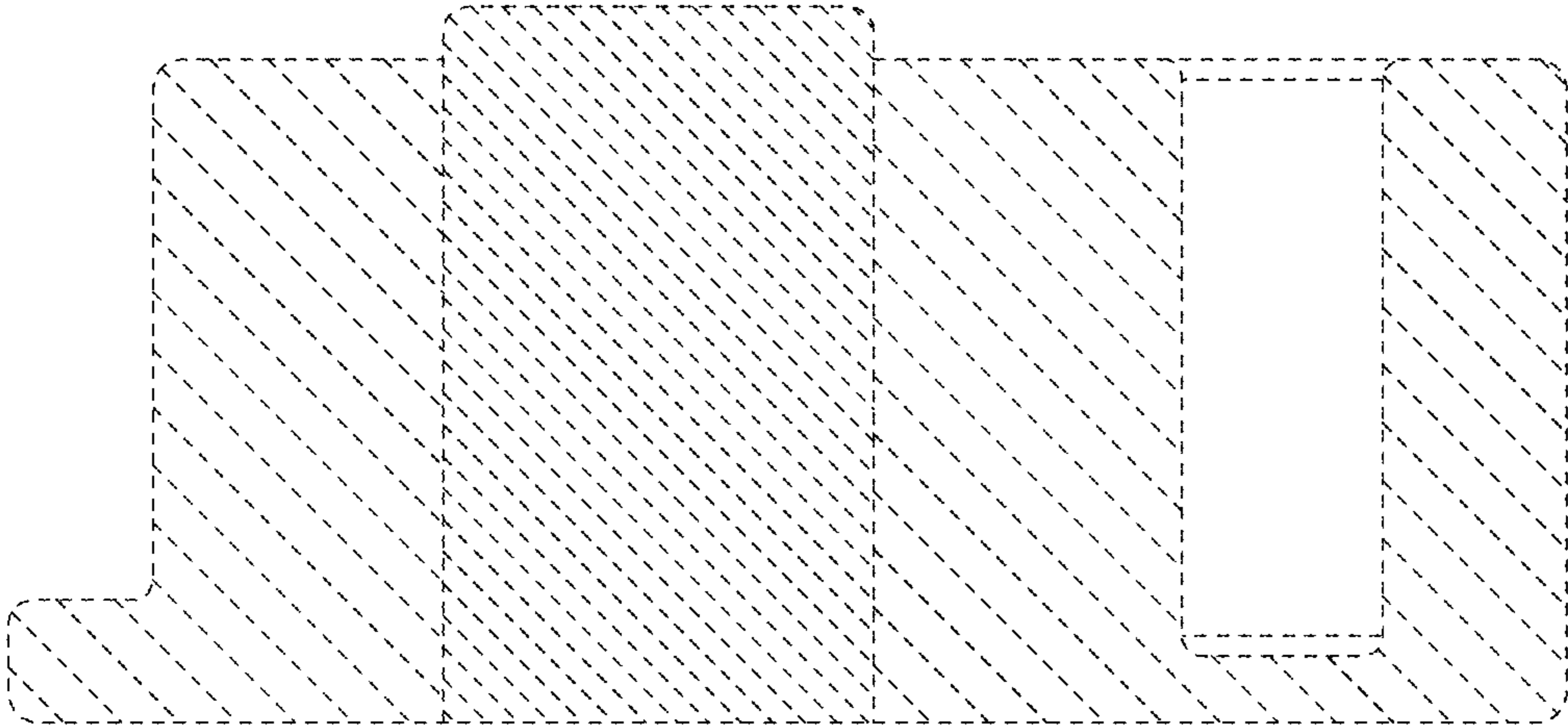


FIG. 9