



US00D962863S

(12) **United States Design Patent** (10) **Patent No.:** **US D962,863 S**
Tang (45) **Date of Patent:** **** Sep. 6, 2022**

(54) **CHARGING STATION**

- (71) Applicant: **Wenbin Tang**, Chongqing (CN)
- (72) Inventor: **Wenbin Tang**, Chongqing (CN)
- (**) Term: **15 Years**
- (21) Appl. No.: **29/796,742**
- (22) Filed: **Jun. 25, 2021**
- (51) **LOC (13) Cl.** **13-02**
- (52) **U.S. Cl.**
USPC **D13/108; D21/333**
- (58) **Field of Classification Search**
USPC D13/103, 107, 108, 118, 119; D14/432,
D14/433, 434, 439, 447; D21/333, 385
CPC H02J 7/00047; H02J 7/0049; H02J 50/05
See application file for complete search history.

(56) **References Cited**

U.S. PATENT DOCUMENTS

D509,788 S *	9/2005	Schlieffers	D13/108
D522,963 S *	6/2006	Hayes	D13/108
D581,355 S *	11/2008	Grant	D13/107
D594,407 S *	6/2009	Chon	D13/108
D597,940 S *	8/2009	Navid	D13/108
D709,447 S *	7/2014	Ibuki	D13/108
D722,649 S *	2/2015	Sumii	D21/333
D800,652 S *	10/2017	Yang	D13/107
10,888,792 B2 *	1/2021	Loh	A63F 13/24
D916,010 S	4/2021	Gerber et al.		
D922,942 S	6/2021	Huhne et al.		
D930,581 S *	9/2021	Becker	D13/108
D949,102 S *	4/2022	Zhou	D13/108
2013/0221923 A1 *	8/2013	Robertson	H02J 7/0045 320/112
2018/0138726 A1 *	5/2018	Harguth	H02J 7/0044

FOREIGN PATENT DOCUMENTS

EM 008591549-0001 * 7/2021

OTHER PUBLICATIONS

“Anker Charging Dock”. Found online May 3, 2022 at amazon.com. Reference dated Dec. 21, 2020. Retrieved from https://www.amazon.com/dp/B08NDYQSXZ/ref=sspa_dk_detail_1. (Year: 2020).*

“Beboncool Xbox One Controller Charging Station”. Found online Aug. 11, 2021 at beboncool.com. Reference dated Aug. 5, 2018. Retrieved from https://tineye.com/search/e92271b036d2a33f49be59df0955b7db9e92b951?sort=crawl_date&order=asc&page=1. (Year: 2018).*

“DOBE Controller Charger”. Found online Aug. 10, 2021 at amazon.com. Reference dated May 3, 2017. Retrieved from <https://www.amazon.com/DOBE-Controller-Charger-Charging-Indicators/dp/B07193XL8H>. (Year: 2017).*

* cited by examiner

Primary Examiner — Kendra Leslie Hamilton
Assistant Examiner — Amanda Christensen
 (74) *Attorney, Agent, or Firm* — ScienBiziP, P.C.

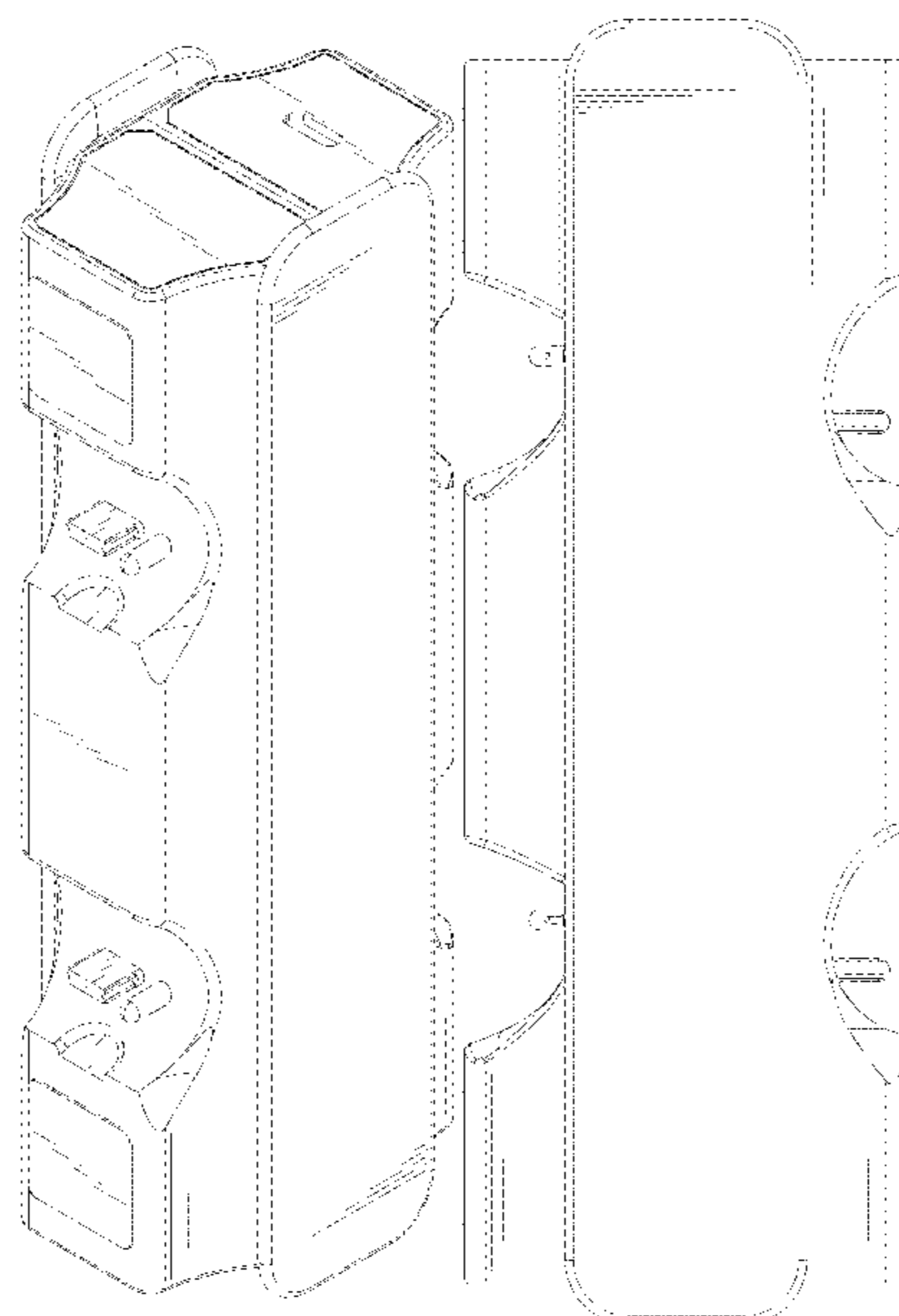
(57) **CLAIM**

The ornamental design for a charging station, as shown and described.

DESCRIPTION

FIG. 1 is a front, right, and top perspective view of a charging station, showing my design.
 FIG. 2 is a rear, left, and top perspective view thereof.
 FIG. 3 is a front elevation view thereof.
 FIG. 4 is a rear elevation view thereof.
 FIG. 5 is a left side elevation view thereof
 FIG. 6 is a right side elevation view thereof.
 FIG. 7 is a top plan view thereof; and,
 FIG. 8 is a bottom plan view thereof.
 The broken lines depict portions of the charging station that form no part of the claimed design.

1 Claim, 8 Drawing Sheets



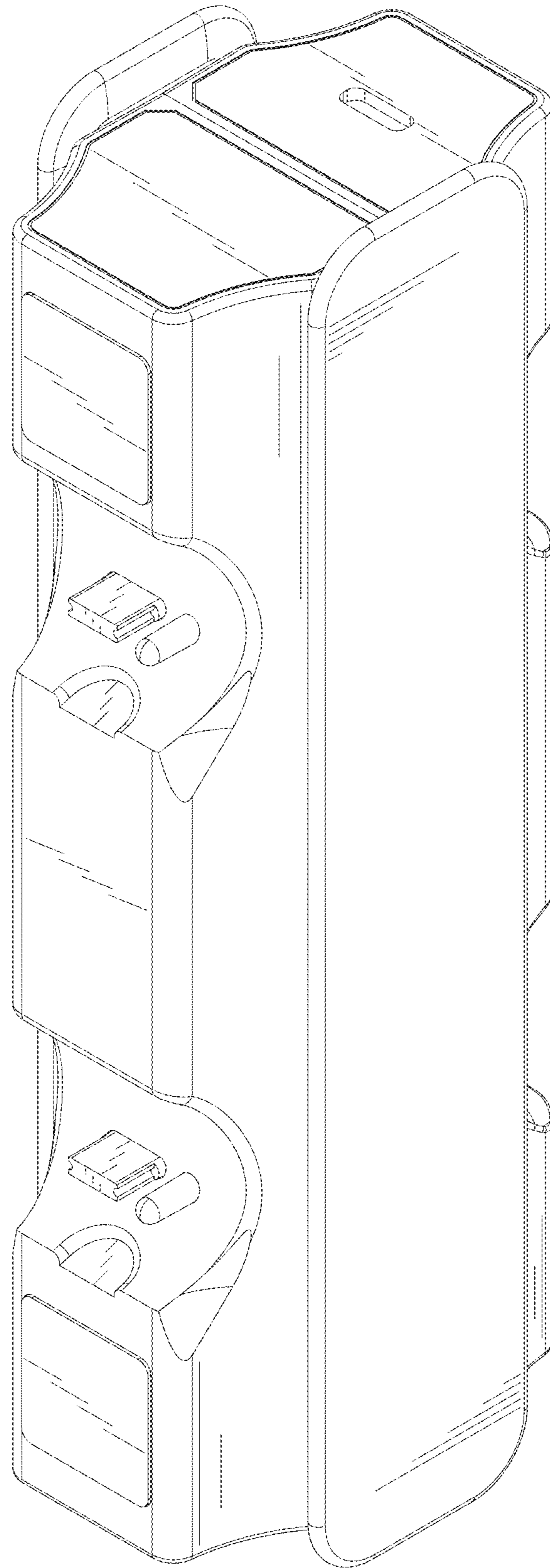


FIG.1

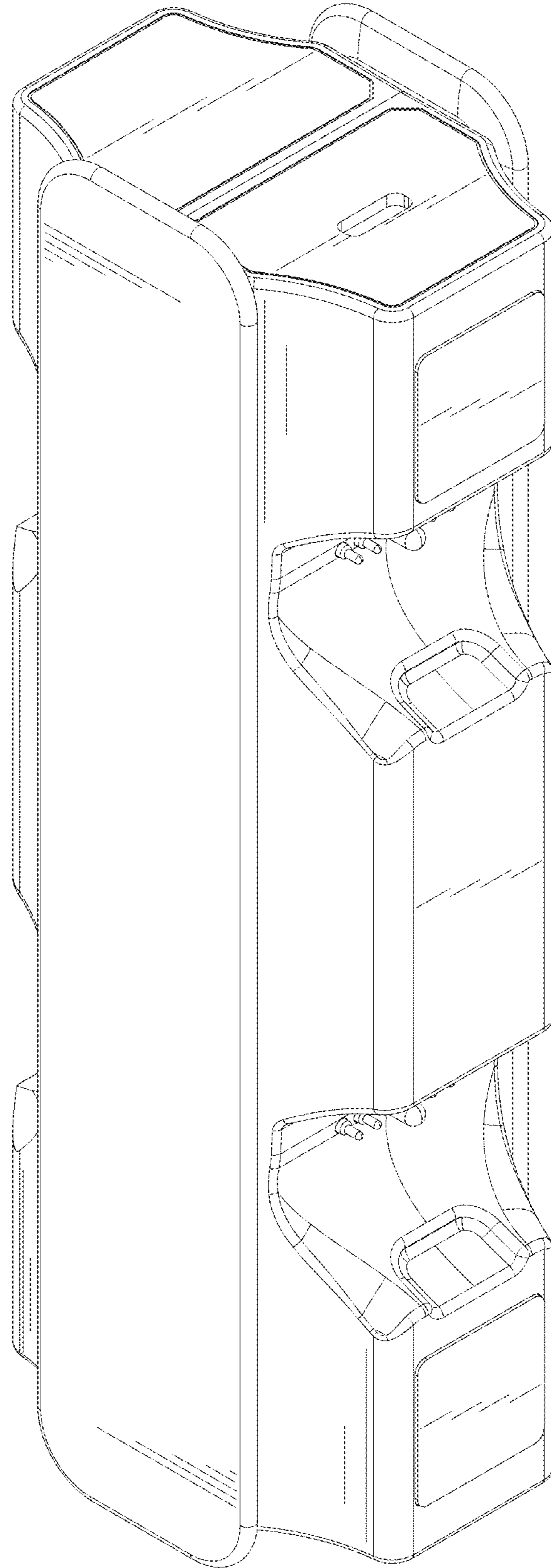


FIG.2

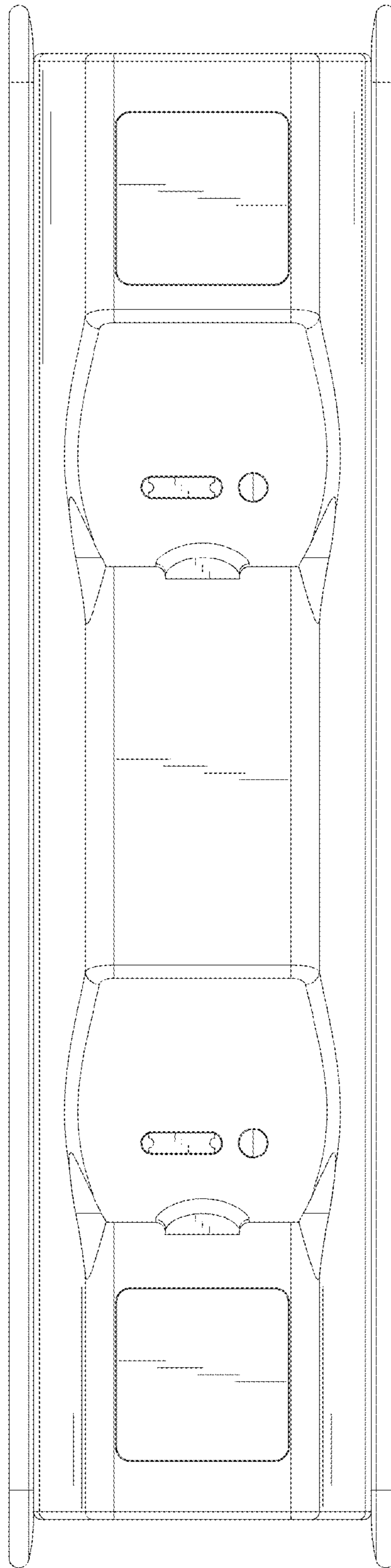


FIG. 3

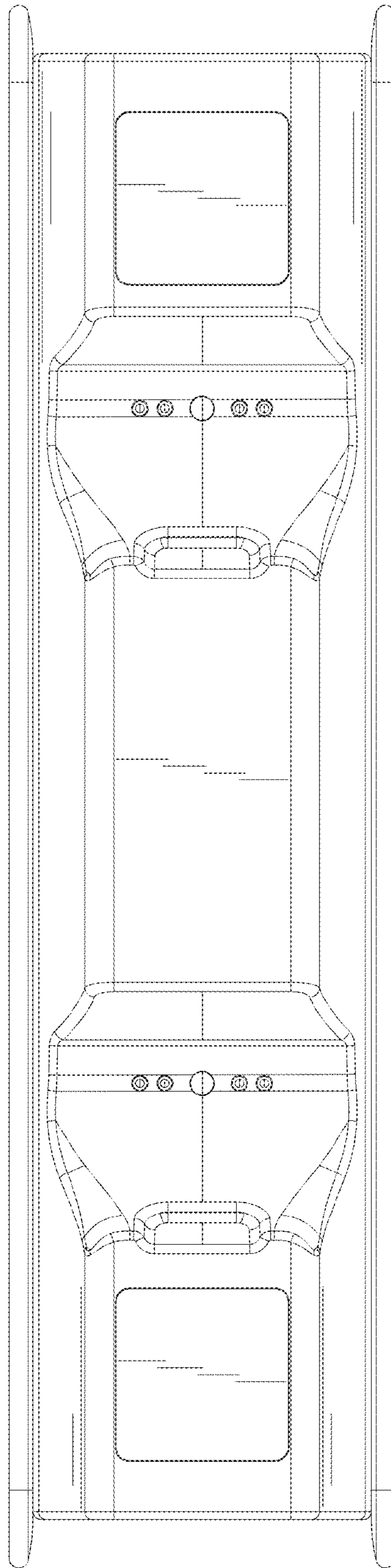


FIG. 4

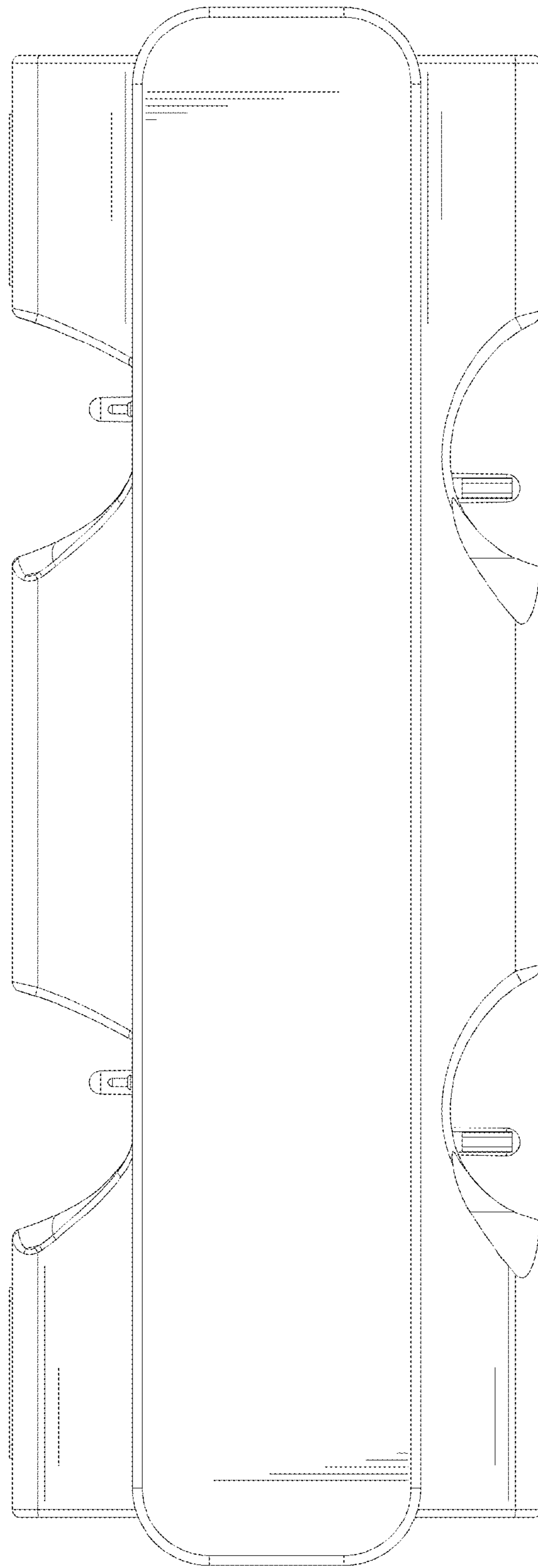


FIG. 5

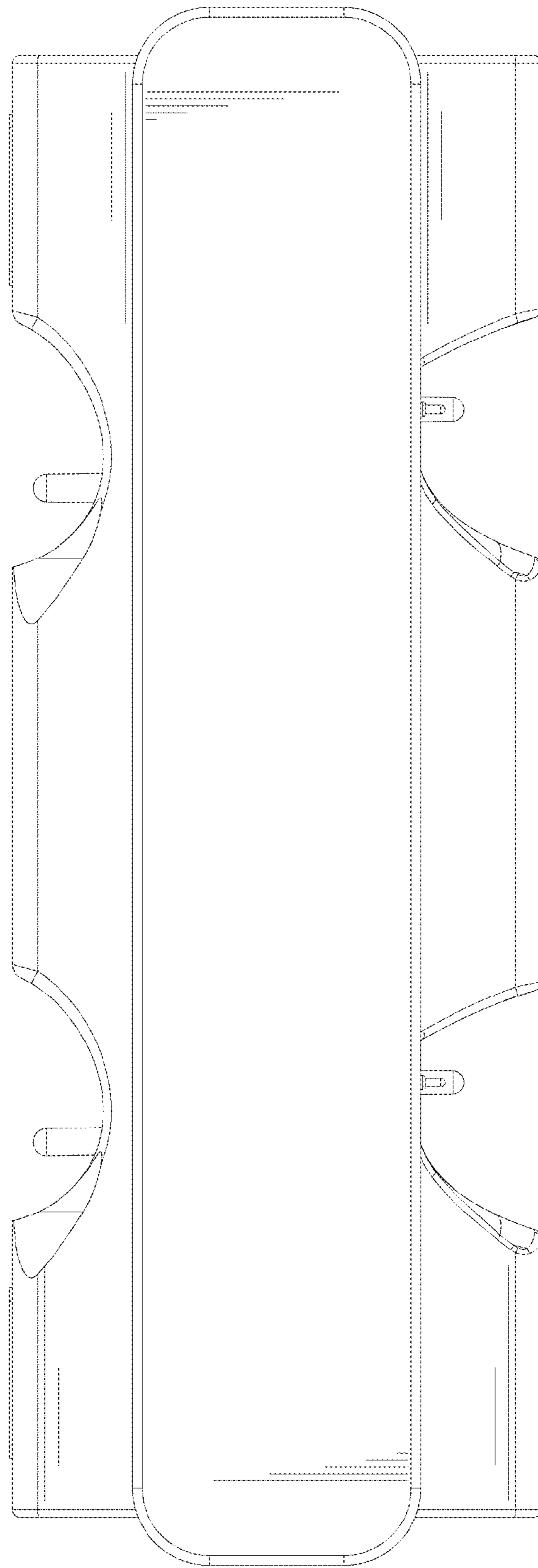


FIG. 6

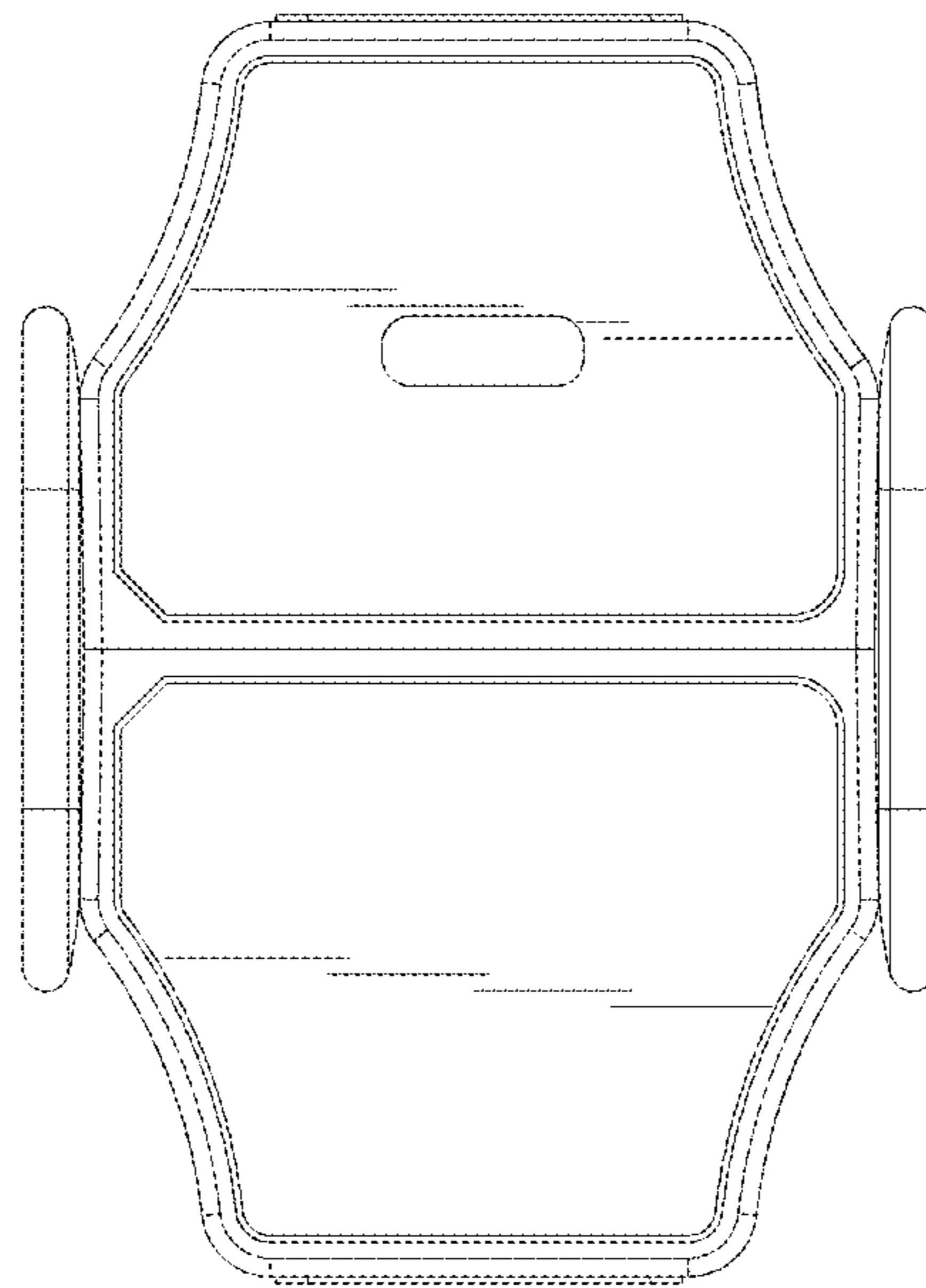


FIG.7

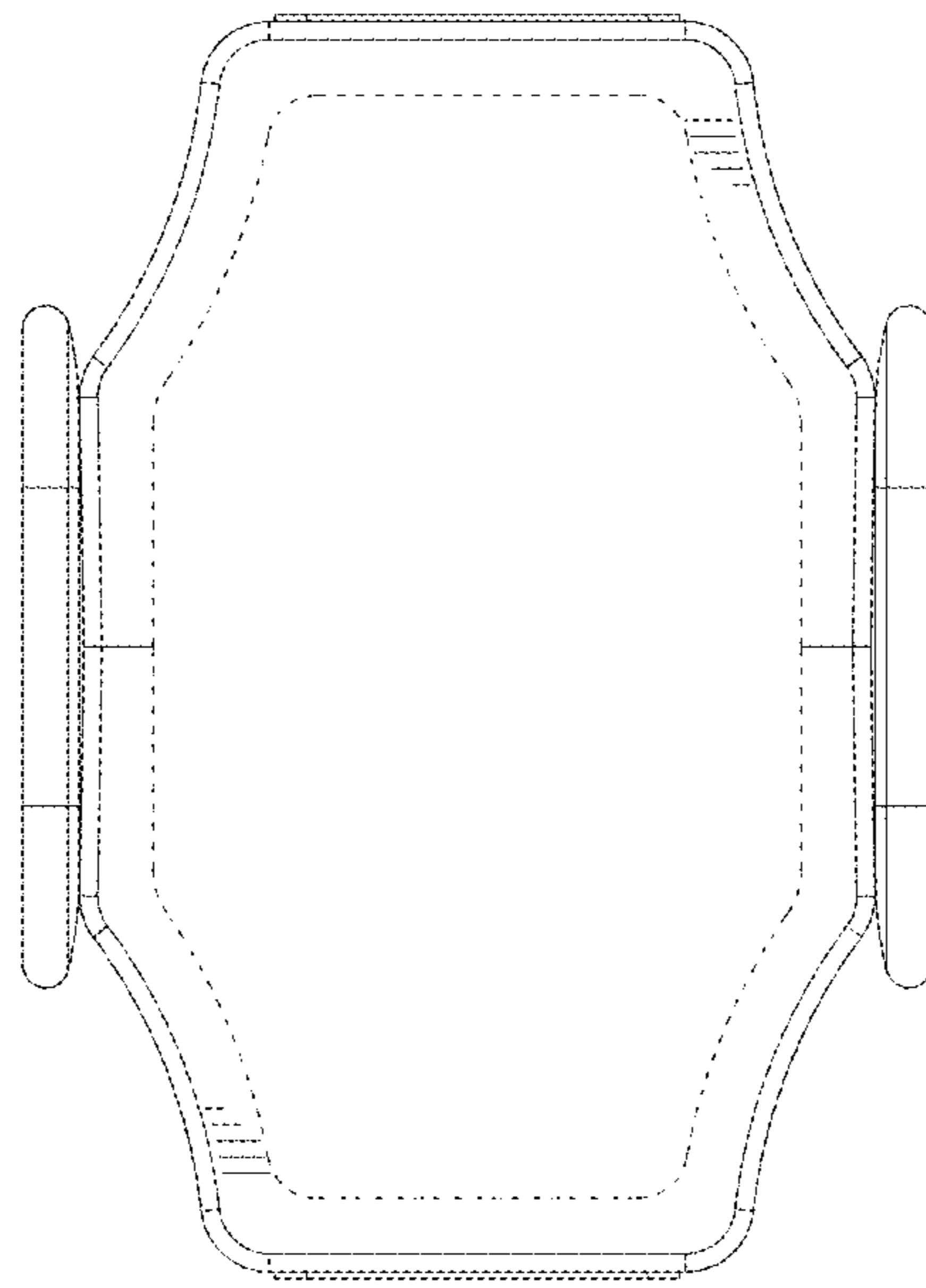


FIG.8