

US00D962861S

(12) **United States Design Patent** (10) **Patent No.:** **US D962,861 S**  
**Wang et al.** (45) **Date of Patent:** **\*\* Sep. 6, 2022**

(54) **WIRELESS CHARGER**  
(71) Applicant: **SHENZHEN FUTURE CHARGER TECHNOLOGY CO., LTD.**, Shenzhen (CN)

(72) Inventors: **Wenzhong Wang**, Shenzhen (CN); **Yonghui Wei**, Shenzhen (CN)

(\*\*) Term: **15 Years**

(21) Appl. No.: **29/767,787**

(22) Filed: **Jan. 25, 2021**

(30) **Foreign Application Priority Data**

Dec. 31, 2020 (CN) ..... 202030826214.0

(51) **LOC (13) Cl.** ..... **13-02**

(52) **U.S. Cl.**  
USPC ..... **D13/108**

(58) **Field of Classification Search**  
USPC ..... D13/103, 107, 108, 118, 119; D14/224, D14/240, 251, 253, 432, 433, 434, 447  
CPC ..... H04B 1/3877; H02J 7/0049; H02J 15/00  
See application file for complete search history.

(56) **References Cited**

U.S. PATENT DOCUMENTS

D724,025 S *	3/2015	Peek	.....	D13/108
10,261,543 B2 *	4/2019	Schachter	.....	G06F 1/1632
D855,566 S *	8/2019	Chen	.....	D13/108
D857,626 S *	8/2019	Zhang	.....	D13/108
D858,437 S *	9/2019	Lu	.....	D13/108
D884,622 S *	5/2020	Huang	.....	D13/108
D911,941 S *	3/2021	Lee	.....	D13/108
D925,447 S *	7/2021	Sun	.....	D13/108
D930,641 S *	9/2021	Zhou	.....	D14/447
D940,700 S *	1/2022	Yongren	.....	D14/447

2006/0290654 A1 *	12/2006	Wang	.....	F16M 13/00
				345/156
2016/0261139 A1 *	9/2016	Kidakarn	.....	H02J 50/10
2020/0052506 A1 *	2/2020	Green	.....	H02J 50/10

OTHER PUBLICATIONS

“Kertxin Wireless Charger Stand”. Found online Apr. 5, 2022 at amazon.com. Reference dated Aug. 6, 2020. Retrieved from https://www.amazon.com/dp/B08FCC8B47/ref=sspa\_dk\_detail\_6. (Year: 2020).\*

“Future Charger”. Found online Apr. 5, 2022 at alibaba.com. Reference dated Jun. 27, 2021. Retrieved from https://tineye.com/search/4df1ba5bf0bf89ee376645674a5e0e3bd18ce0bc?sort=crawl\_date&order=asc&page=1. (Year: 2021).\*

“Lamicall Phone Stand”. Found online Dec. 1, 2021 at amazon.com. Reference dated Feb. 10, 2018. Retrieved from https://www.amazon.com/Cell-Phone-Stand-Lamicall-Accessories/dp/B077ZV8FKD. (Year: 2018).\*

\* cited by examiner

*Primary Examiner* — Kendra Leslie Hamilton

*Assistant Examiner* — Amanda Christensen

(57) **CLAIM**

The ornamental design for a wireless charger, as shown and described.

**DESCRIPTION**

FIG. 1 is a front view of a wireless charger showing my new design;

FIG. 2 is a rear view thereof;

FIG. 3 is a left side view thereof;

FIG. 4 is a right side view thereof;

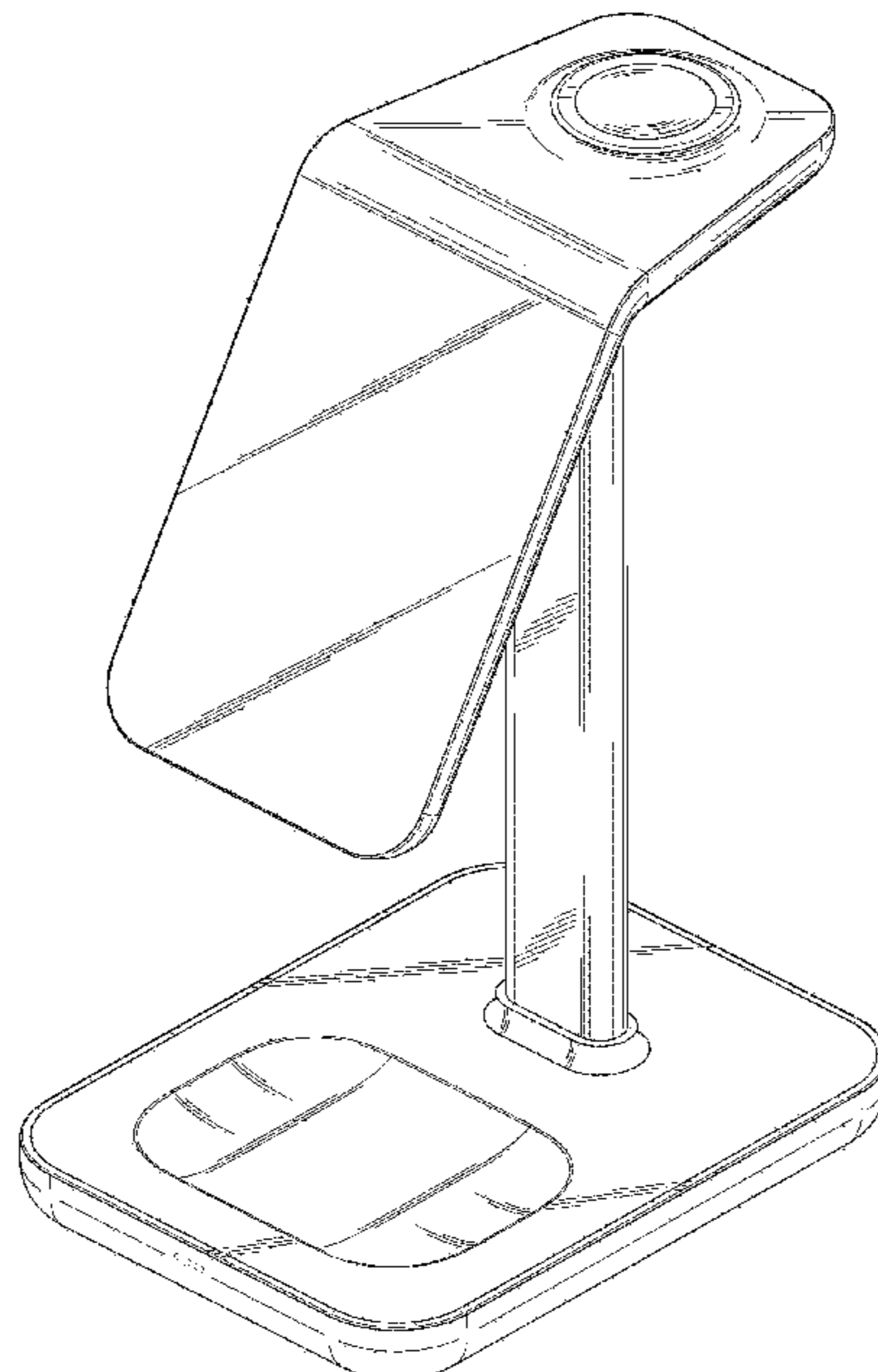
FIG. 5 is a top plan view thereof;

FIG. 6 is a bottom plan view thereof; and,

FIG. 7 is a perspective view thereof.

The broken lines in the drawings depict portions of the wireless charger that form no part of the claimed design.

**1 Claim, 7 Drawing Sheets**



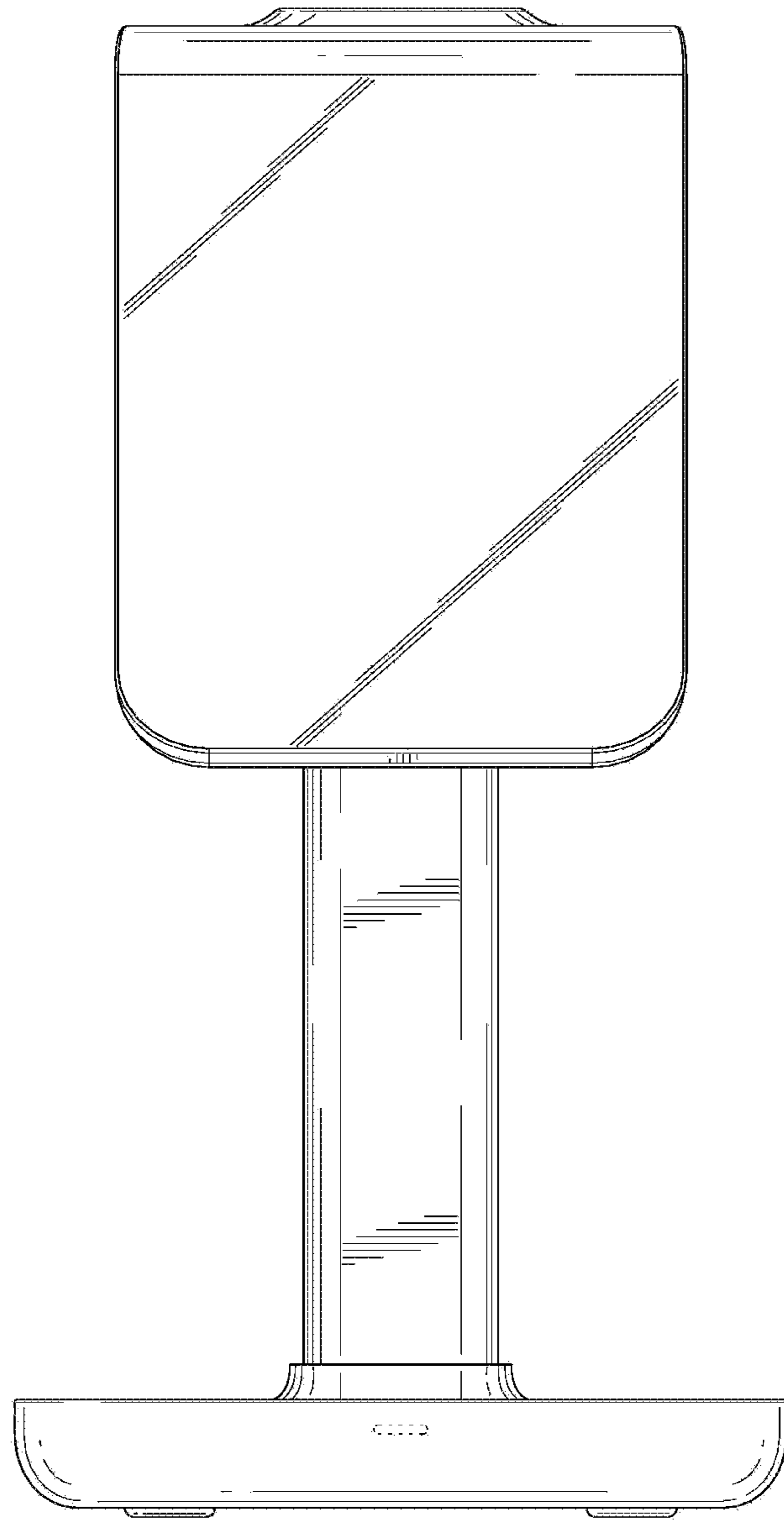


FIG. 1

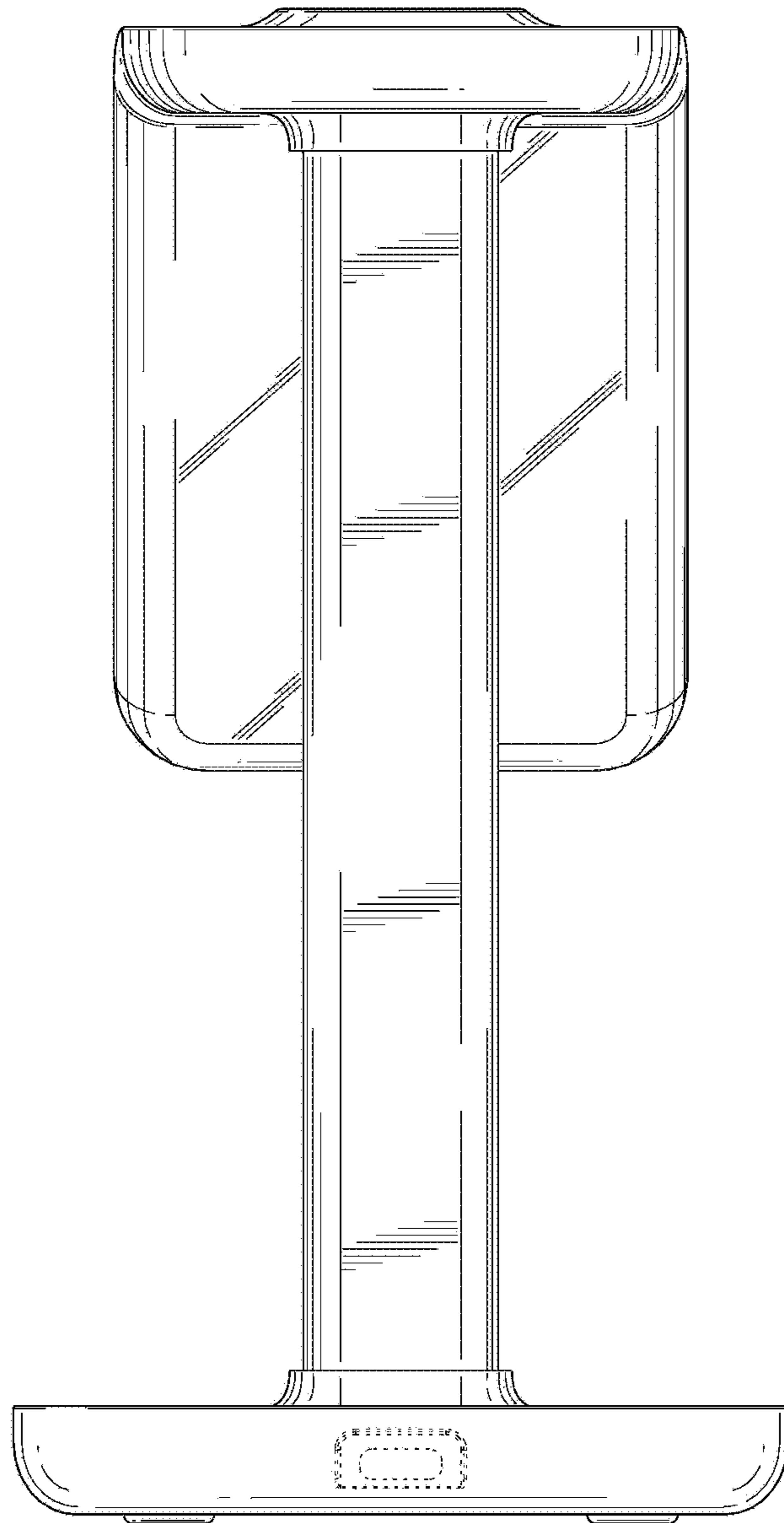


FIG. 2

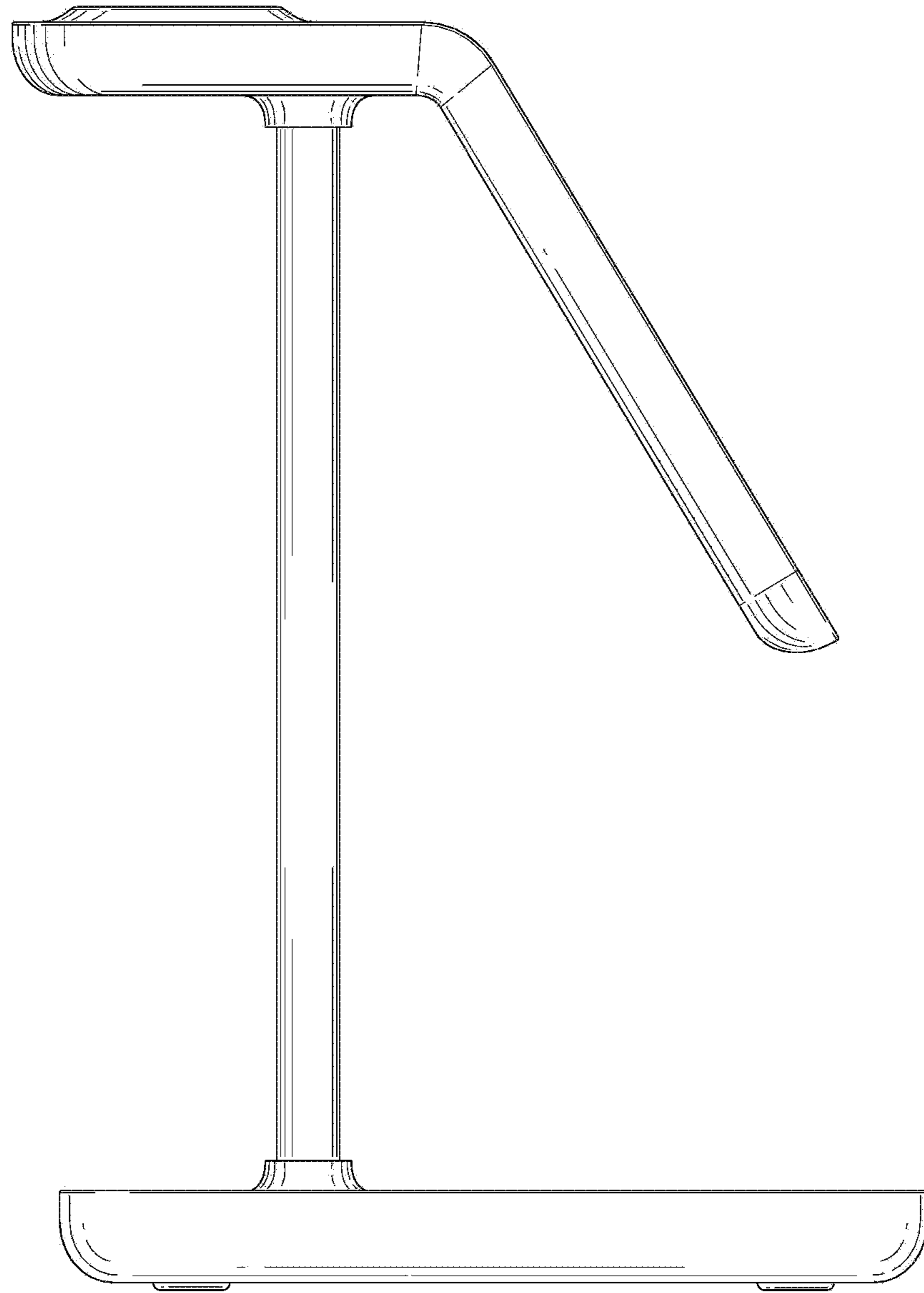


FIG. 3

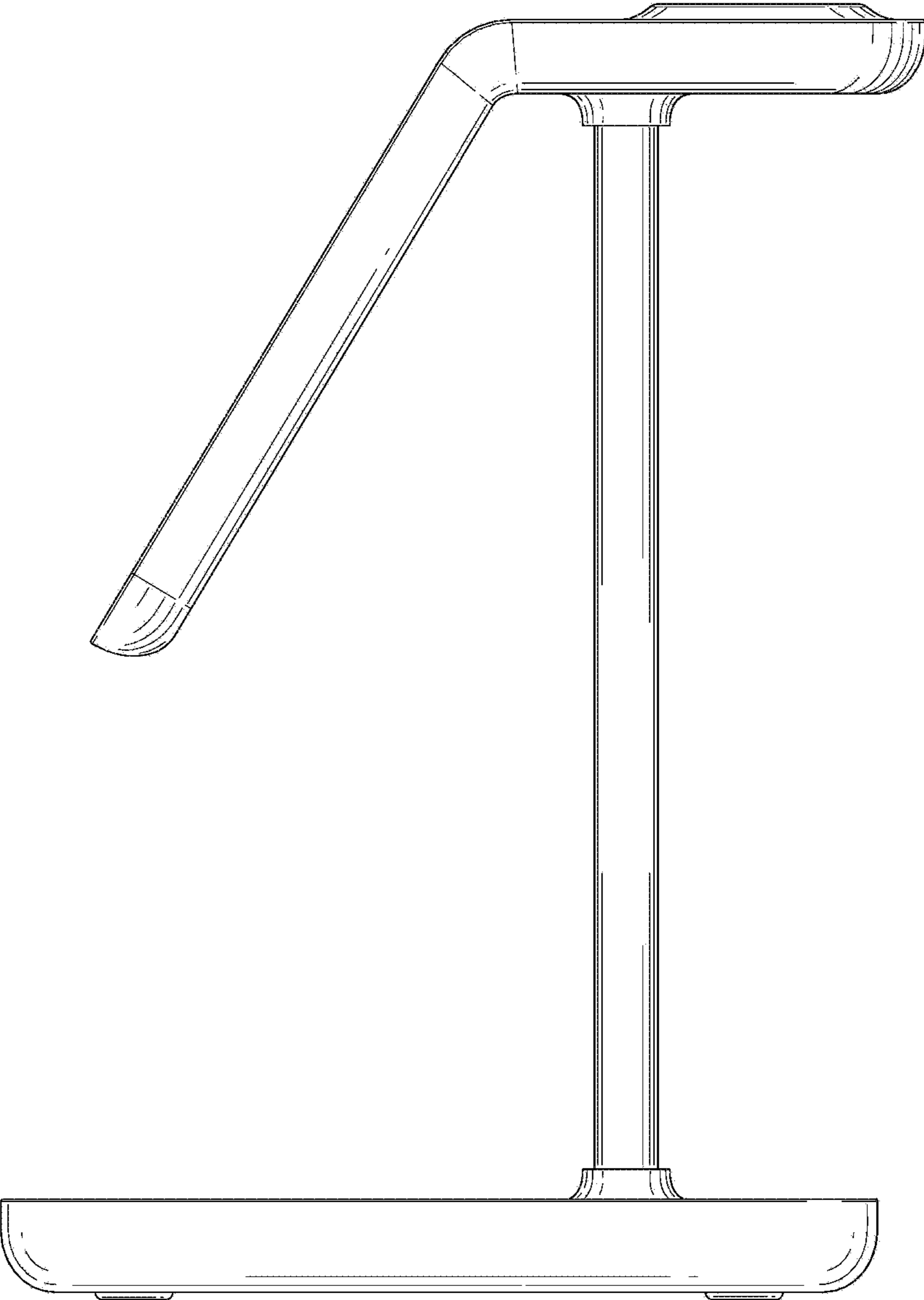


FIG. 4

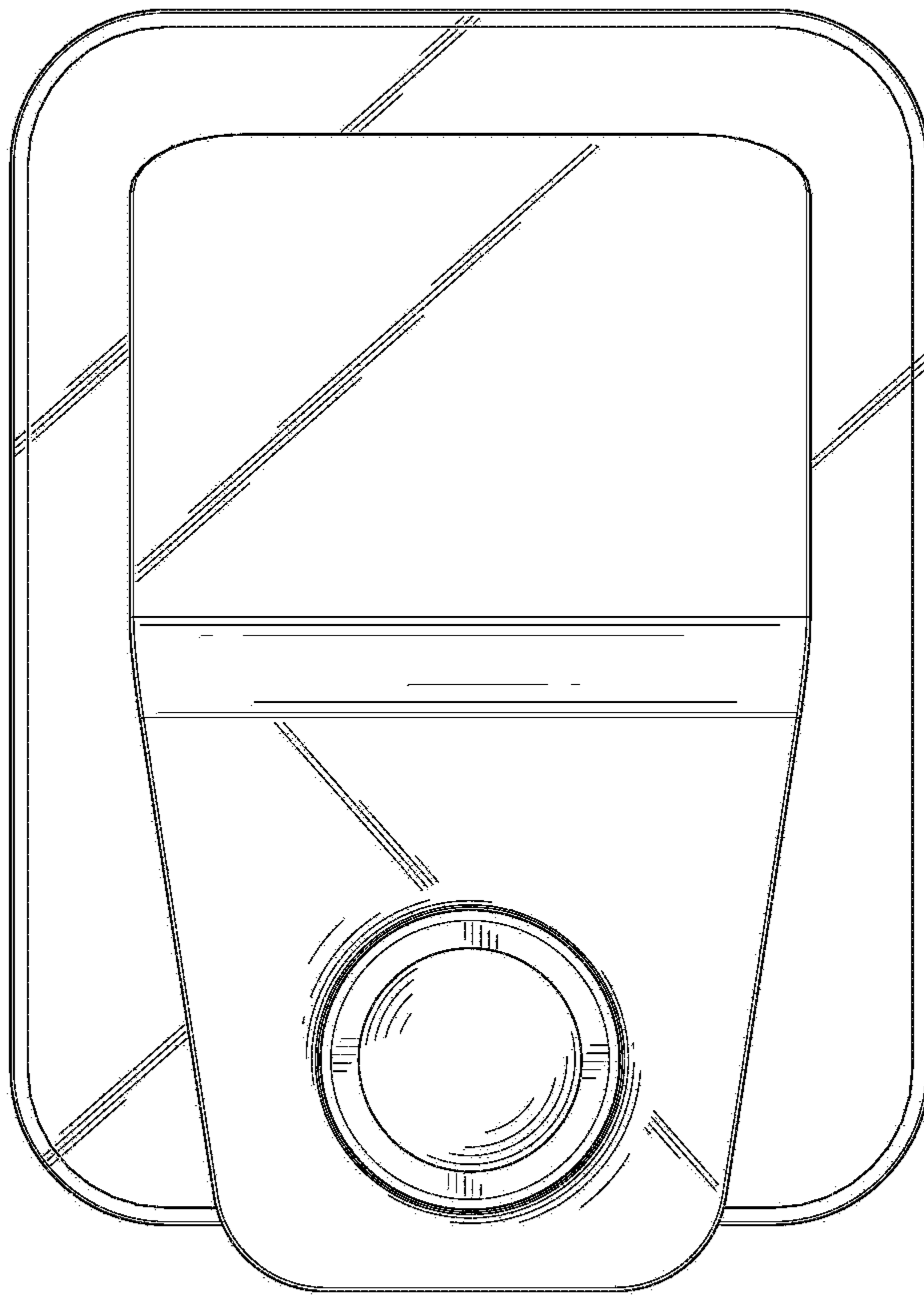


FIG. 5

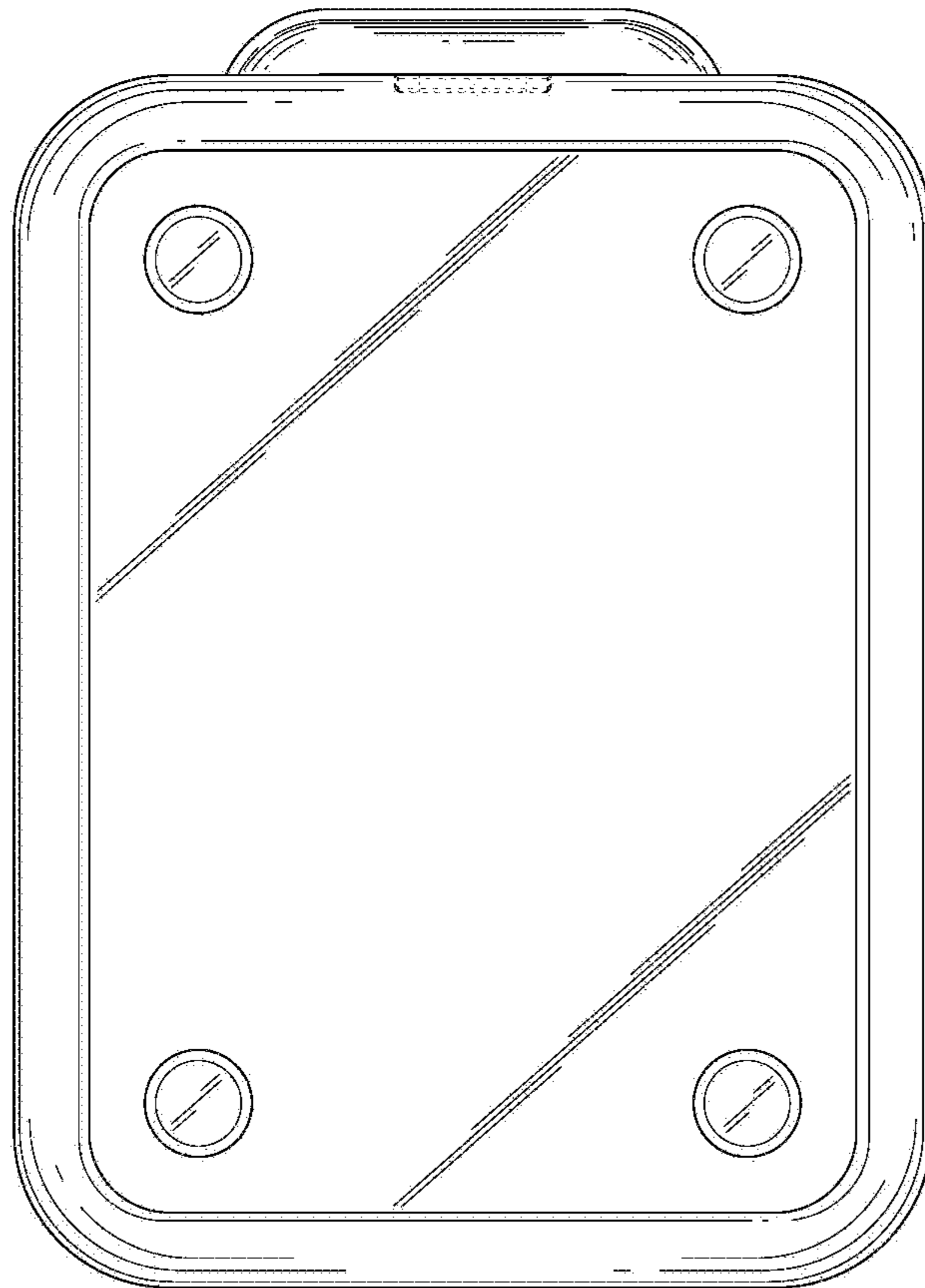


FIG. 6

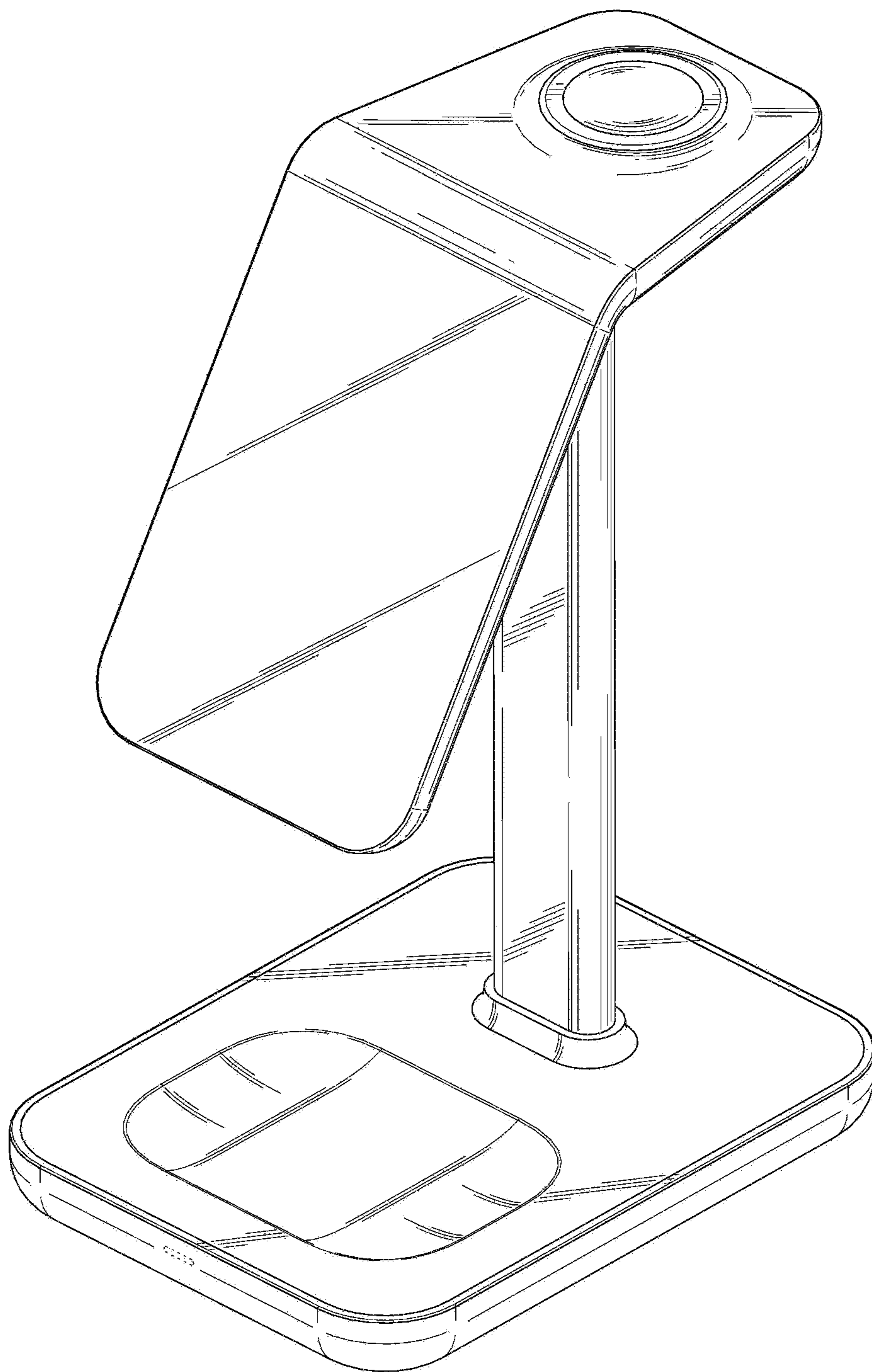


FIG. 7