



US00D962860S

(12) **United States Design Patent** (10) **Patent No.:** **US D962,860 S**  
**Wang et al.** (45) **Date of Patent:** **\*\* Sep. 6, 2022**

(54) **WIRELESS CHARGER**

FOREIGN PATENT DOCUMENTS

(71) Applicant: **SHENZHEN FUTURE CHARGER TECHNOLOGY CO., LTD.**, Shenzhen (CN)

CN 202030694247.4 \* 5/2021

(72) Inventors: **Wenzhong Wang**, Shenzhen (CN);  
**Yonghui Wei**, Shenzhen (CN)

OTHER PUBLICATIONS

(\*\*) Term: **15 Years**

“Kertxin Wireless Charger Stand”. Found online Apr. 5, 2022 at amazon.com. Reference dated Aug. 6, 2020. Retrieved from [https://www.amazon.com/dp/B08FCC8B47/ref=sspa\\_dk\\_detail\\_6](https://www.amazon.com/dp/B08FCC8B47/ref=sspa_dk_detail_6). (Year: 2020).\*

(21) Appl. No.: **29/766,939**

“Future Charger”. Found online Apr. 5, 2022 at alibaba.com. Reference dated Jun. 27, 2021. Retrieved from [https://tineye.com/search/4df1ba5bf0bf89ee376645674a5e0e3bd18ce0bc?sort=crawl\\_date&order=asc&page=1](https://tineye.com/search/4df1ba5bf0bf89ee376645674a5e0e3bd18ce0bc?sort=crawl_date&order=asc&page=1). (Year: 2021).\*

(22) Filed: **Jan. 19, 2021**

“Magsafe Wireless Charger”. Found online Apr. 5, 2022 at facebook.com. Reference dated Nov. 23, 2020. Retrieved from <https://www.facebook.com/Future.Charger.Official/photos/pcb.116646993593354/116642846927102/>. (Year: 2020).\*

(51) **LOC (13) Cl.** ..... **13-02**

(52) **U.S. Cl.**  
USPC ..... **D13/108**

(58) **Field of Classification Search**  
USPC ..... D13/103, 107, 108, 118, 119; D14/224,  
D14/240, 251, 253, 432, 433, 434, 447  
CPC ..... H04B 1/3877; H02J 7/0049; H02J 15/00  
See application file for complete search history.

\* cited by examiner

*Primary Examiner* — Kendra Leslie Hamilton

*Assistant Examiner* — Amanda Christensen

(56) **References Cited**

U.S. PATENT DOCUMENTS

D724,025 S *	3/2015	Peek	.....	D13/108
D792,415 S *	7/2017	Tsai	.....	D14/447
D851,587 S *	6/2019	Schmidt	.....	D13/108
D865,747 S *	11/2019	Sage	.....	D14/447
D884,622 S *	5/2020	Huang	.....	D13/108
D902,217 S *	11/2020	Zhang	.....	D14/447
D911,941 S *	3/2021	Lee	.....	D13/108
D925,447 S *	7/2021	Sun	.....	D13/108
D930,641 S *	9/2021	Zhou	.....	D14/447
D938,427 S *	12/2021	Zhang	.....	D14/434
2006/0290654 A1 *	12/2006	Wang	.....	F16M 13/00 345/156
2020/0052506 A1 *	2/2020	Green	.....	H02J 50/10
2022/0045527 A1 *	2/2022	Karanikos	.....	H02J 50/10

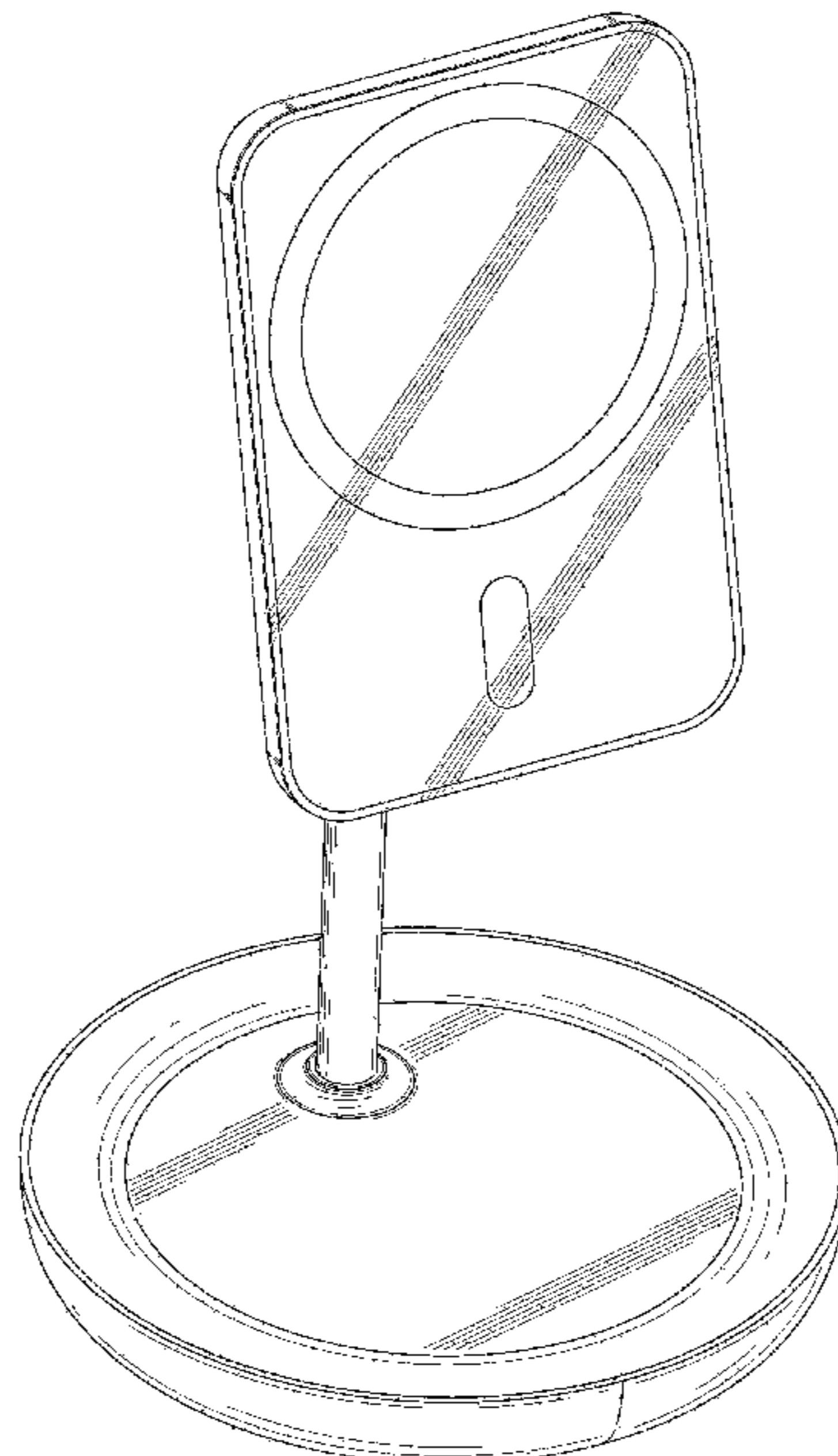
(57) **CLAIM**

The ornamental design for a wireless charger, as shown and described.

**DESCRIPTION**

FIG. 1 is a front view of a wireless charger showing my new design;  
FIG. 2 is a rear view thereof;  
FIG. 3 is a left side view thereof;  
FIG. 4 is a right side view thereof;  
FIG. 5 is a top plan view thereof;  
FIG. 6 is a bottom plan view thereof; and,  
FIG. 7 is a perspective view thereof.  
The broken lines in the drawings depict portions of the wireless charger that form no part of the claimed design.

**1 Claim, 7 Drawing Sheets**



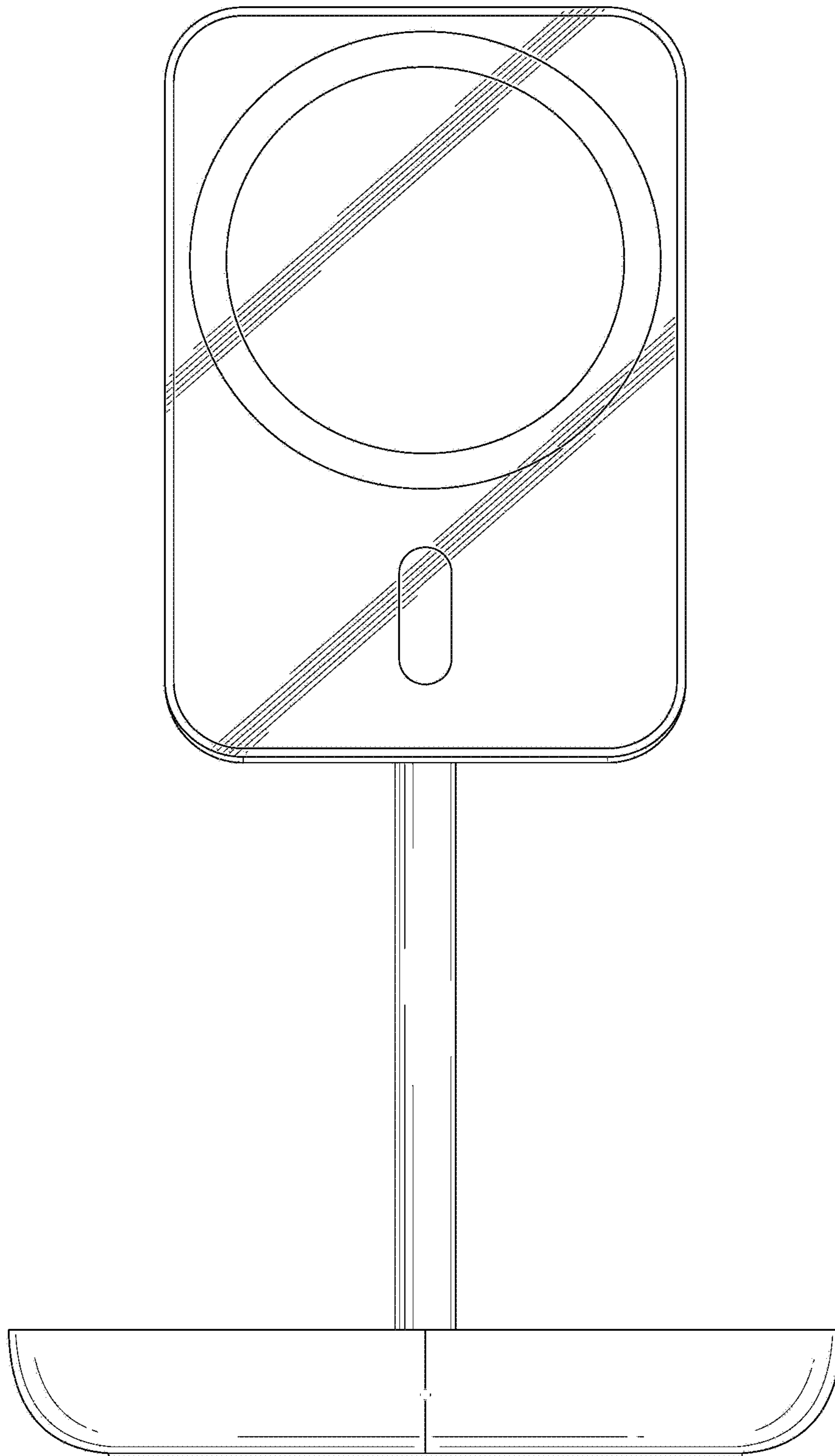


FIG. 1

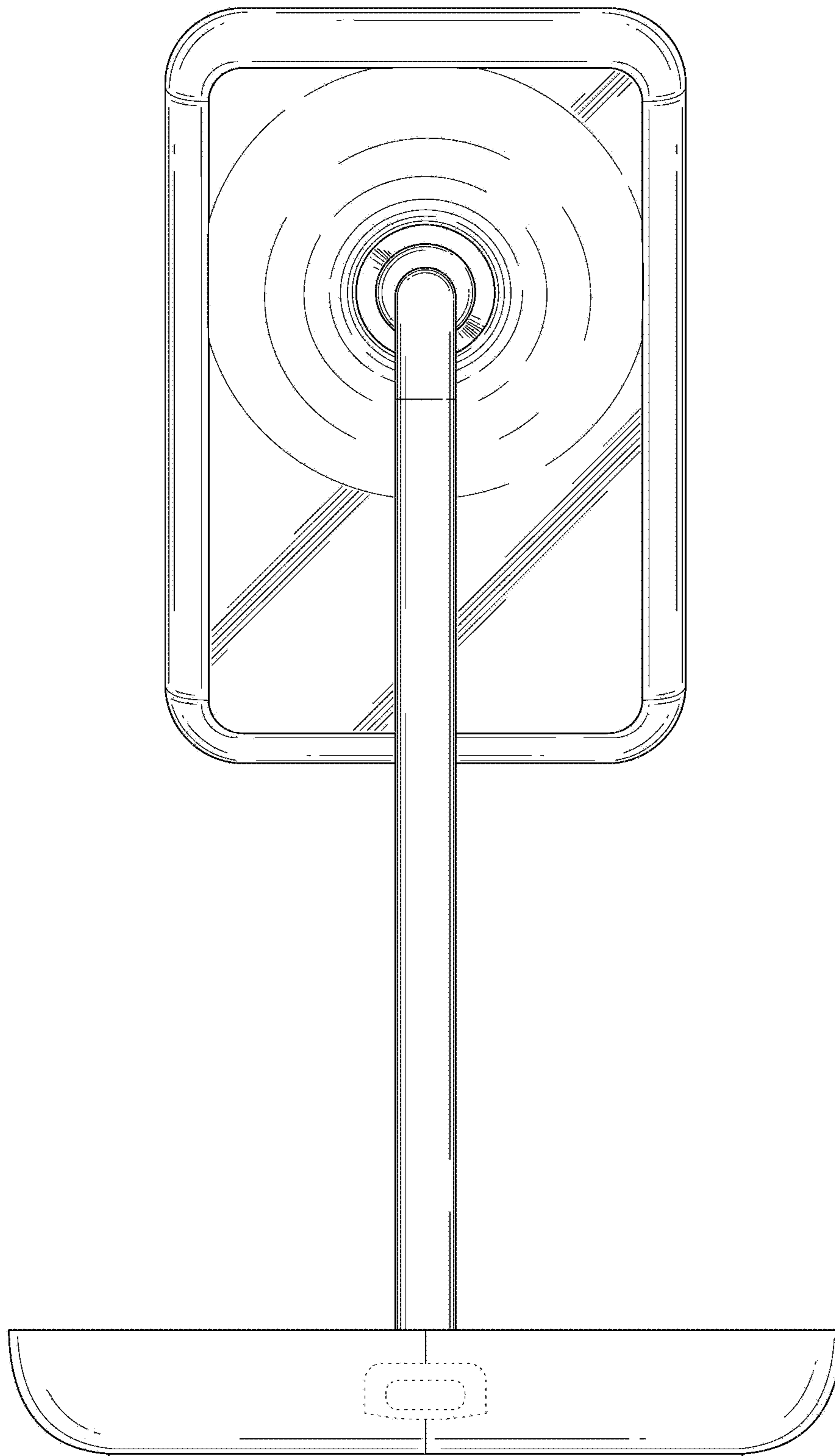


FIG. 2

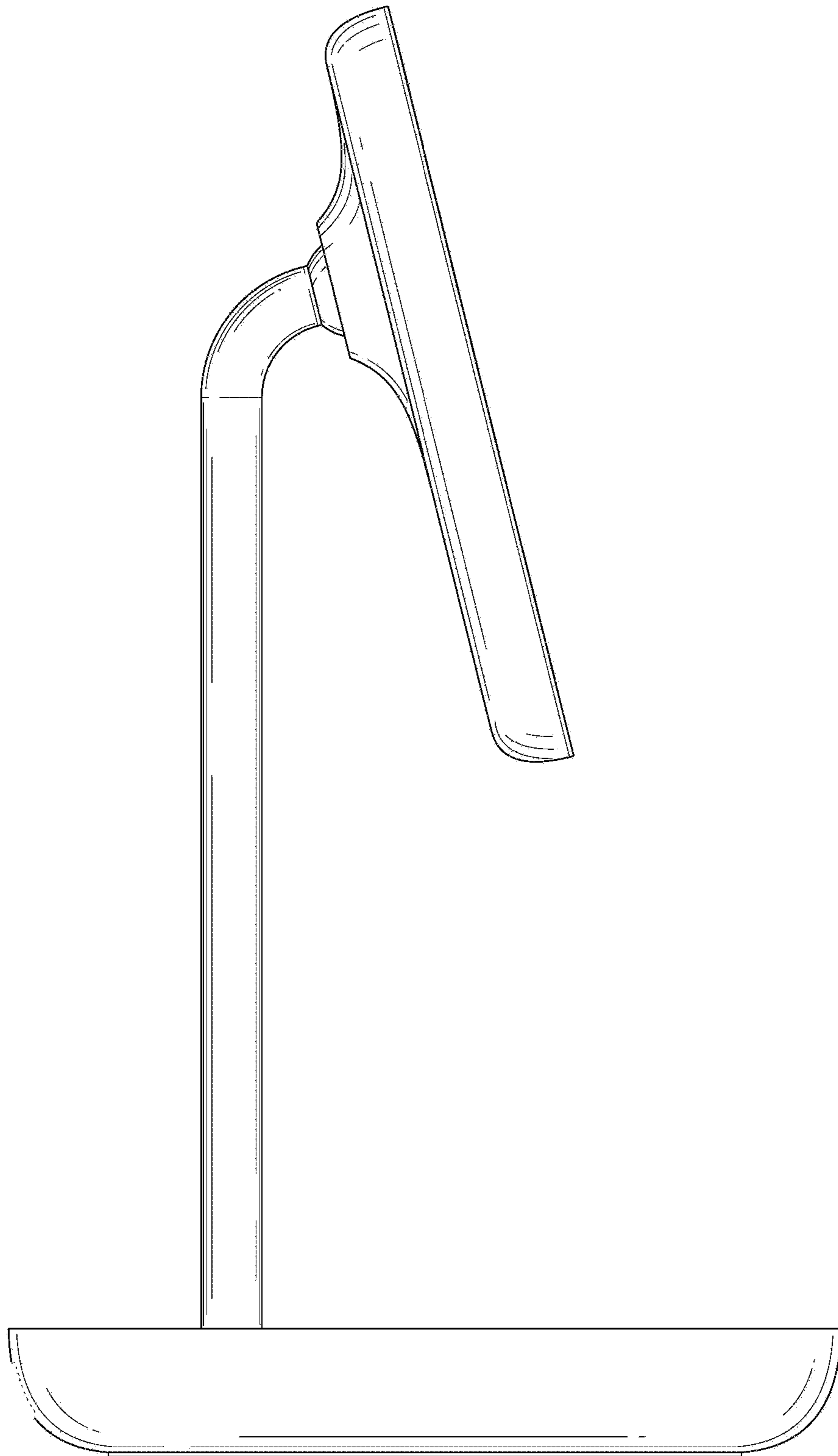


FIG. 3

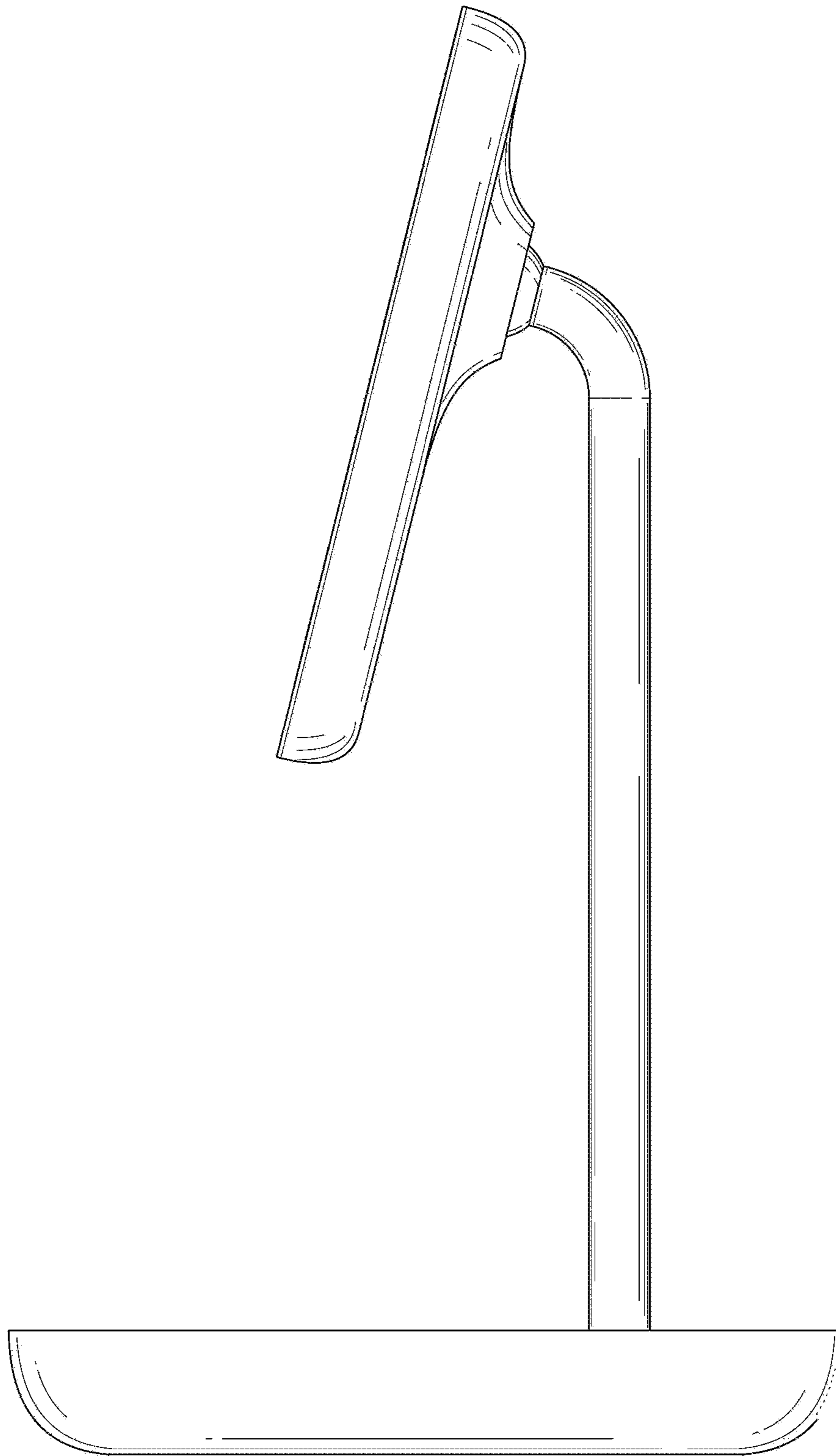


FIG. 4

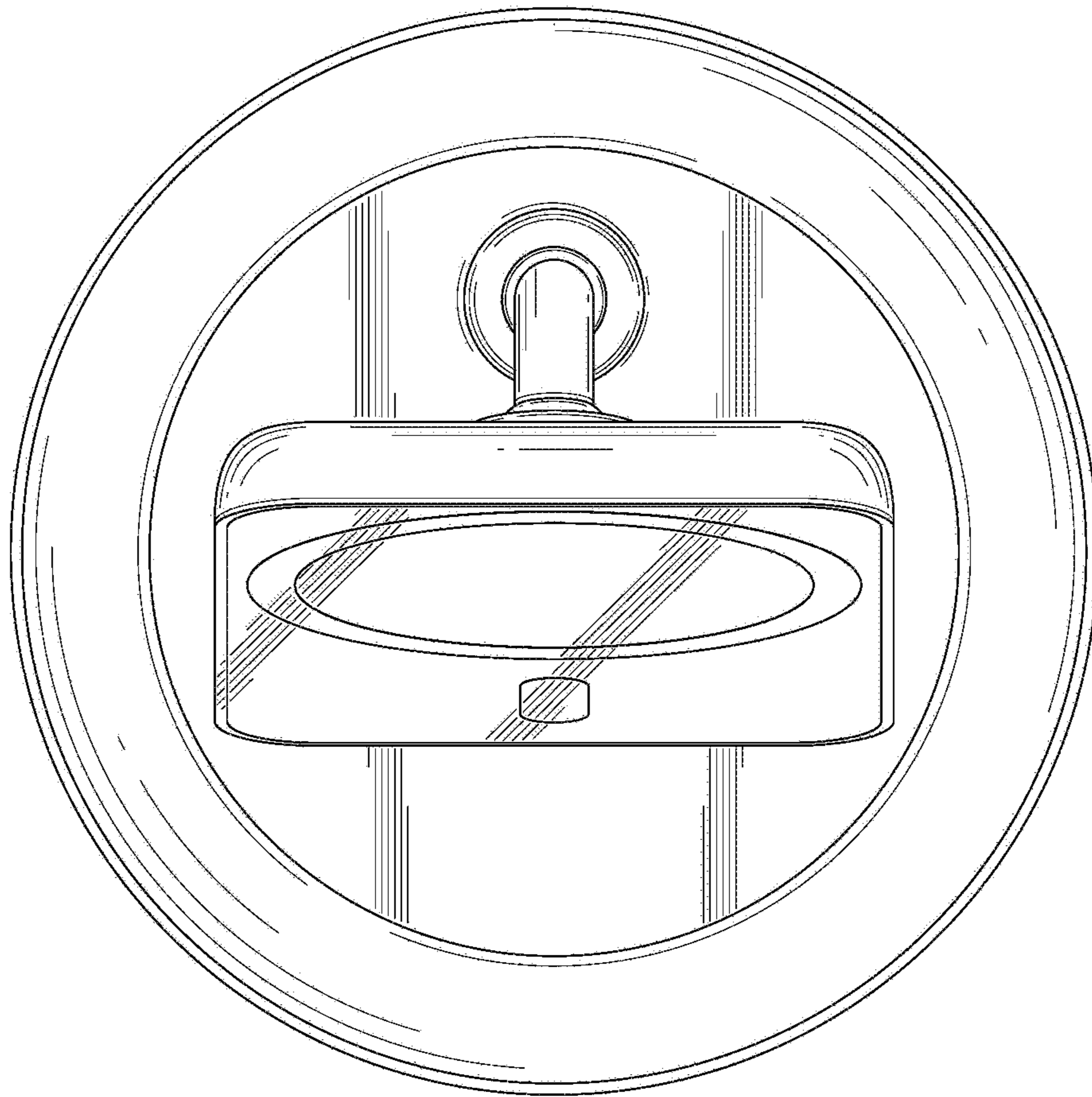


FIG. 5

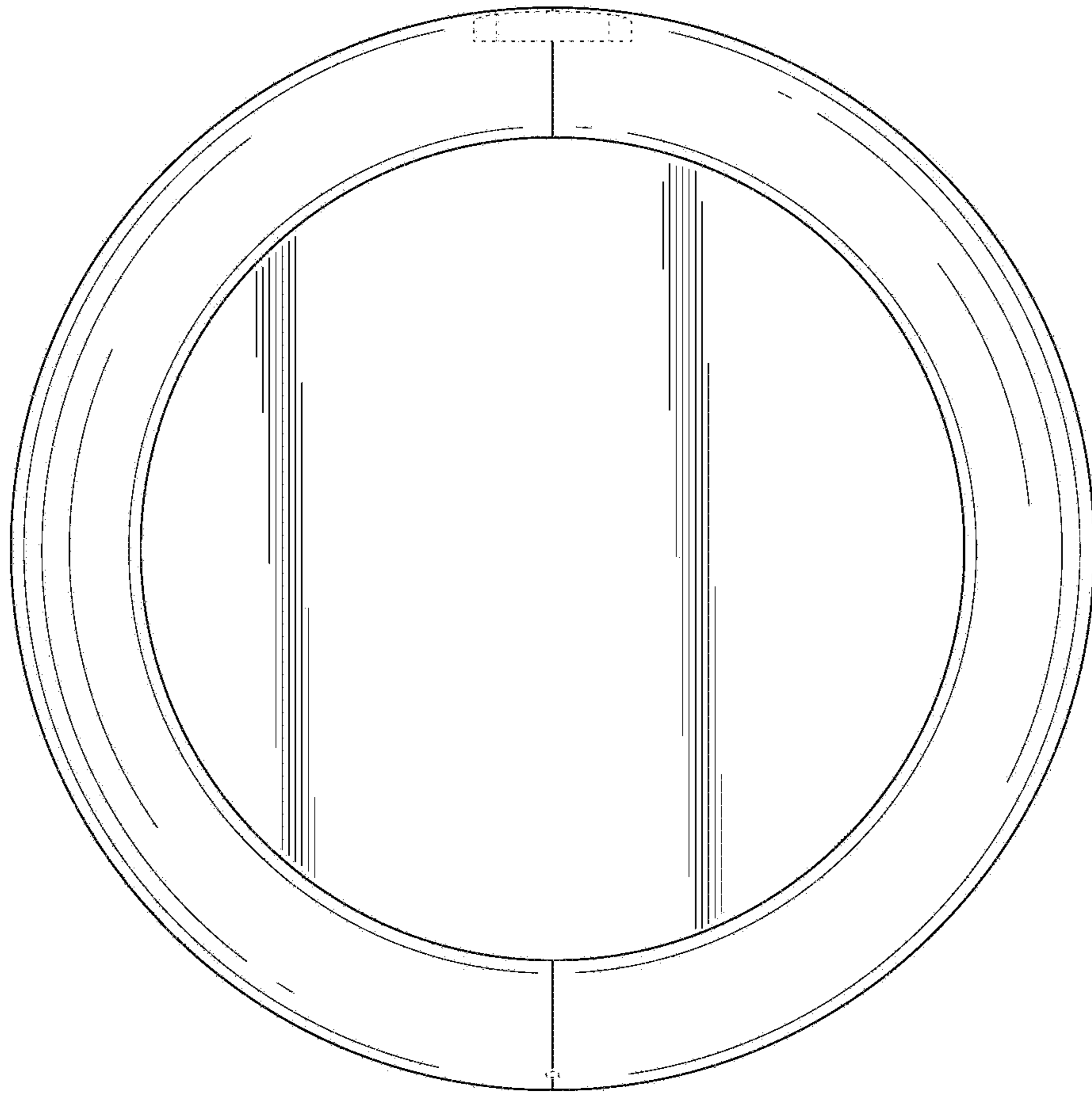


FIG. 6

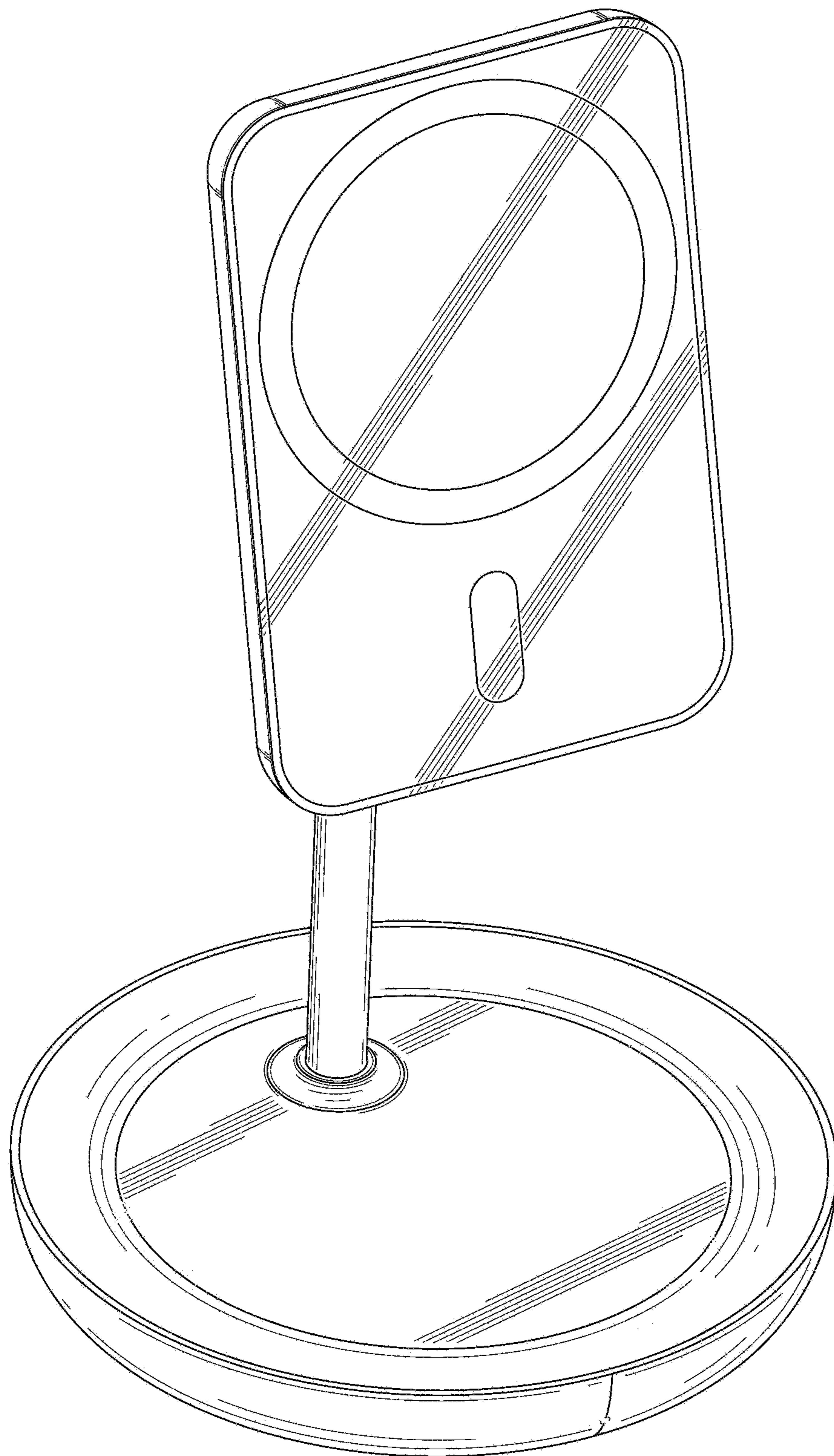


FIG. 7