



US00D962859S

(12) **United States Design Patent** (10) **Patent No.:** **US D962,859 S**  
**Su** (45) **Date of Patent:** **\*\* Sep. 6, 2022**

(54) **WIRELESS CHARGER**  
(71) Applicant: **Shen Zhen Shi Aiker Electronic Technology co., LTD., Shenzhen (CN)**

2010/0190046 A1\* 7/2010 Chen ..... H02J 7/342  
429/156  
2021/0066969 A1\* 3/2021 Sun ..... H02J 7/0044  
2021/0167624 A1\* 6/2021 Su ..... H02J 50/10

(72) Inventor: **Yao Su, Wanyuan (CN)**  
(\*\*) Term: **15 Years**

**OTHER PUBLICATIONS**

“HOCO wireless charger”. Found online Jan. 20, 2022 at hocotech.com. Reference dated Oct. 12, 2019. Retrieved from <https://tineye.com/search/7575d8b1c81eb296dd9198f1450597fd7f0f1276?sort=score&order=desc&page=1>. (Year: 2019).\*  
“Marie Wolt Wireless Charger”. Found online Aug. 11, 2021 at mariewold.com. Reference dated Nov. 12, 2018. Retrieved from <https://mariewold.com/collections/frontpage/products/piano-black-black>. (Year: 2018).\*  
“IconBIT Wireless charging pad”. Found online Jan. 20, 2022 at amazon.de. Reference dated Jul. 10, 2018. Retrieved from <https://www.amazon.de/-/en/IconBIT-Wireless-charging-pad-smartphones/dp/B07DYQ21T8?th=1>. (Year: 2018).\*

(21) Appl. No.: **29/758,241**  
(22) Filed: **Nov. 13, 2020**

(30) **Foreign Application Priority Data**  
Nov. 6, 2020 (CN) ..... 202030671793.6

(51) **LOC (13) Cl.** ..... **13-02**  
(52) **U.S. Cl.** ..... **D13/108**  
USPC ..... **D13/108**  
(58) **Field of Classification Search**  
USPC .... D13/103, 107, 108, 110, 118, 119, 137.2,  
D13/137.3, 138.1, 139.1, 139.4, 139.5;  
D14/251, 252, 253, 432, 433, 434, 447  
CPC ..... H01R 24/00; H01R 12/592; H02J 7/0044;  
H02J 7/0045  
See application file for complete search history.

(Continued)

*Primary Examiner* — Kendra Leslie Hamilton  
*Assistant Examiner* — Amanda Christensen

(57) **CLAIM**  
The ornamental design for a wireless charger, as shown and described.

(56) **References Cited**  
**U.S. PATENT DOCUMENTS**  
D383,726 S \* 9/1997 Nelson ..... D13/137.3  
D725,034 S \* 3/2015 Chen ..... D13/108  
D746,822 S \* 1/2016 Park ..... D14/433  
D798,807 S \* 10/2017 Shi ..... D13/108  
D853,982 S \* 7/2019 Lu ..... D14/155  
10,367,367 B1 \* 7/2019 Jacobs ..... G04G 19/00  
D867,367 S \* 11/2019 Wang ..... D14/433  
D906,979 S \* 1/2021 Chen ..... D13/146  
D908,620 S \* 1/2021 Akana ..... D13/108  
D935,402 S \* 11/2021 Qiu ..... D13/108

**DESCRIPTION**

FIG. 1 is a bottom, back, right side perspective view of a wireless charger showing my new design;  
FIG. 2 is a top, front, left side perspective view thereof;  
FIG. 3 is a front view thereof;  
FIG. 4 is a back view thereof;  
FIG. 5 is a left side view thereof;  
FIG. 6 is a right side view thereof;  
FIG. 7 is a top view thereof; and,  
FIG. 8 is a bottom view thereof.  
The broken lines shown in the drawings depict portions of the wireless charger that form no part of the claimed design.

**1 Claim, 8 Drawing Sheets**



(56)

**References Cited**

OTHER PUBLICATIONS

“Jeobest Charge”. Found online Jan. 19, 2022 at walmart.com. Reference dated Apr. 30, 2020. Retrieved from <https://www.walmart.com/ip/Jeobest-2-1-Apple-Watch-Phone-Charger-Cord-Smart-Wireless-Series-3-4-USB-Magnetic-Charging-Cable-i-Phone-7-8-X-Max-MZ/636426013>. (Year: 2020).\*

\* cited by examiner

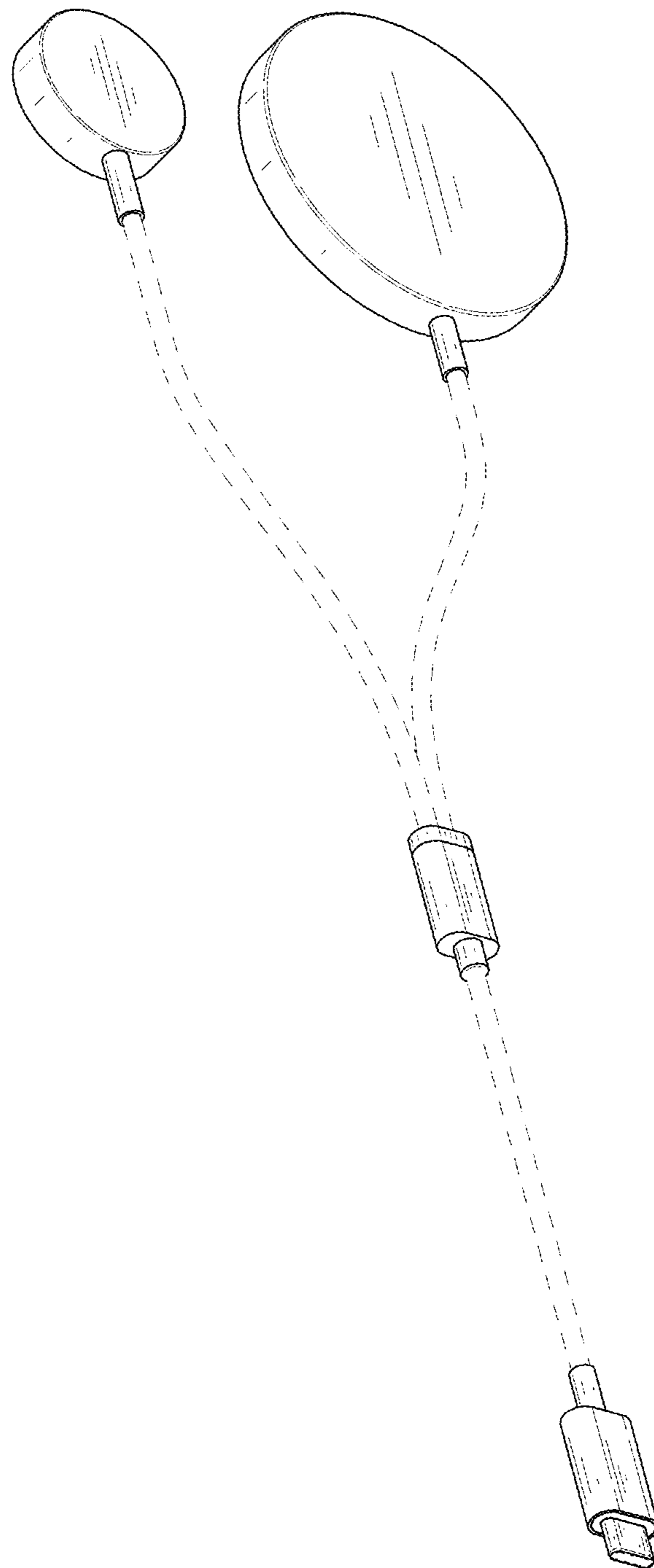


FIG. 1

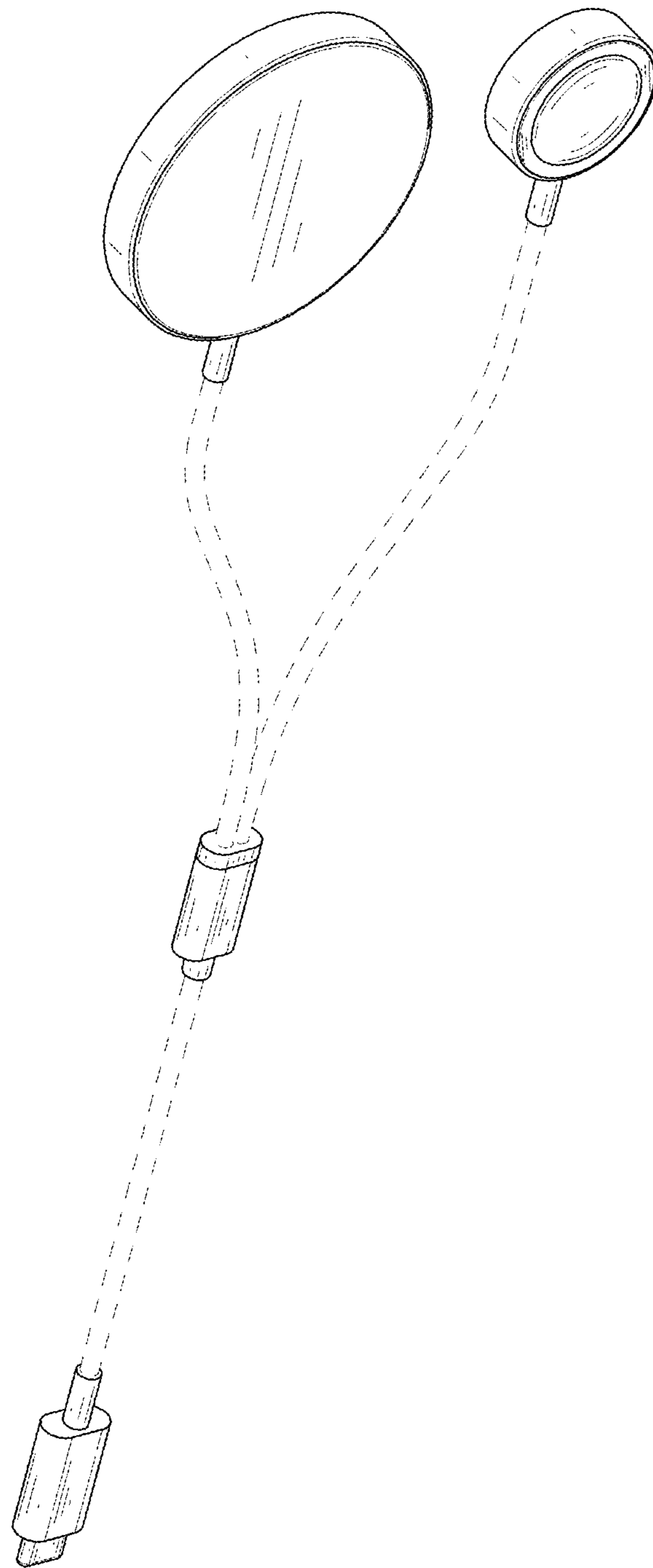


FIG. 2

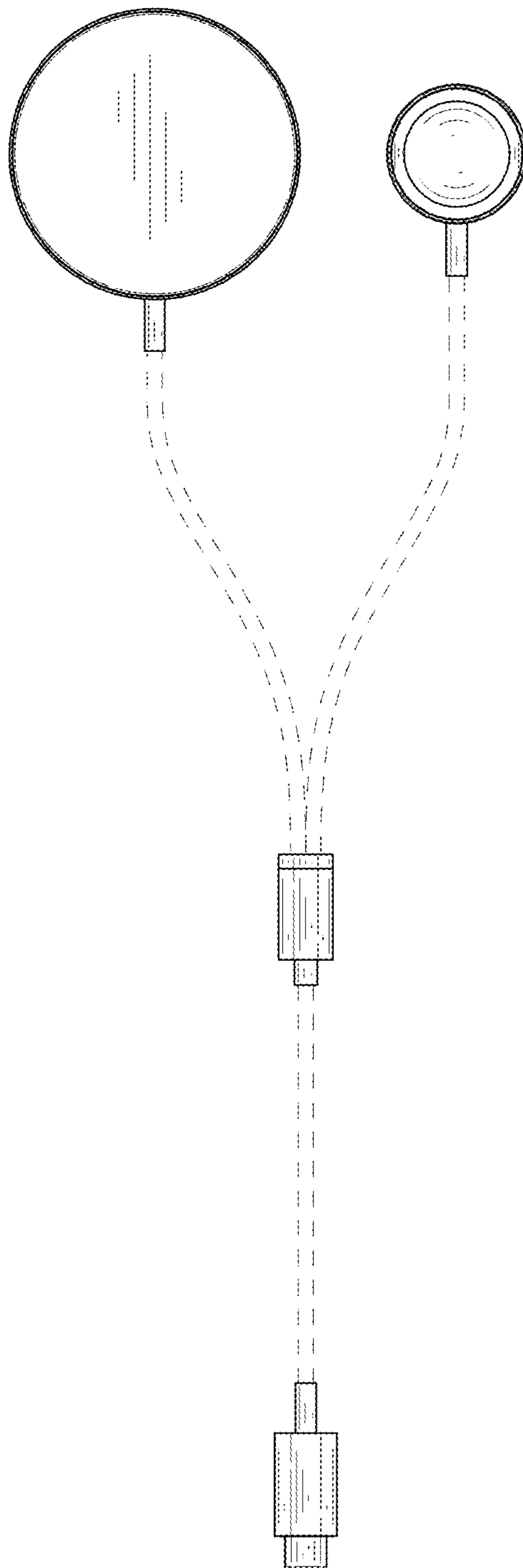


FIG. 3

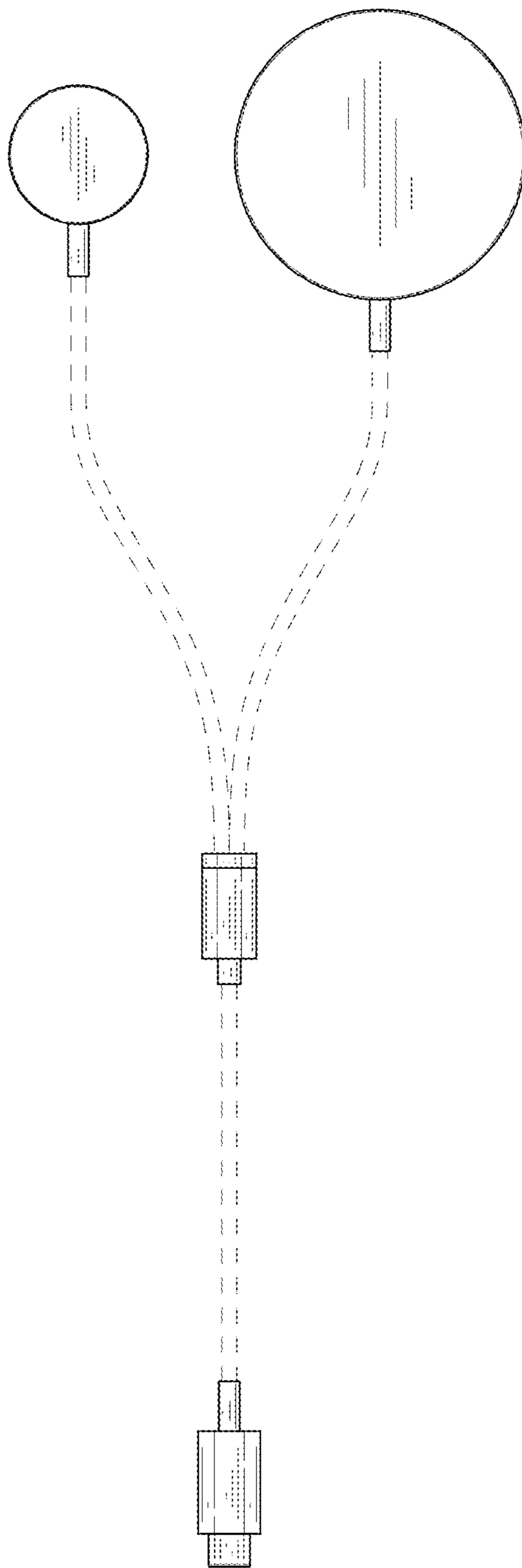


FIG. 4

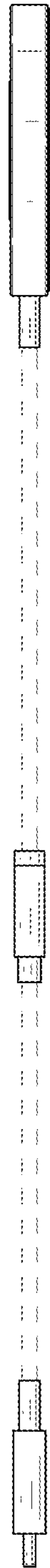


FIG. 5

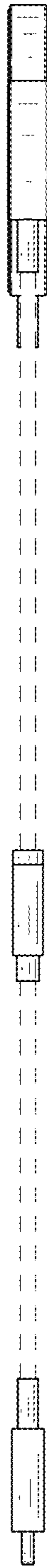


FIG. 6



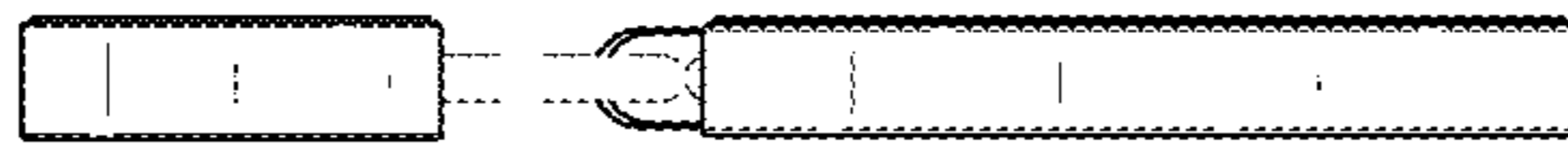


FIG. 7



FIG. 8