



US00D962856S

(12) **United States Design Patent** (10) **Patent No.:** **US D962,856 S**
Mercer et al. (45) **Date of Patent:** **** Sep. 6, 2022**

(54) **CHARGING STATION**

FOREIGN PATENT DOCUMENTS

(71) Applicant: **Volta Charging, LLC**, San Francisco, CA (US)

CN 304746874 * 7/2018

(72) Inventors: **Scott A. Mercer**, Pacifica, CA (US); **Alex Prodaniuk**, Pacifica, CA (US); **Kayla Matheus**, San Francisco, CA (US); **Christian Julio Santander**, Bad Riechenhall (DE); **Julian Schloemer**, Salzburg (AT); **Marco Wilhelm**, Salzburg (AT)

OTHER PUBLICATIONS

Bloomfield, Nikki Gordon. "Need An Electric Car Charging Station At Work? Here's One For Free." [retrieved Nov. 7, 2012]. Retrieved from the Internet: <www.google.com/imgres?q=electric+vehicle-Fcharging+stations&start=22&num=10&um=1&hl=en&tbo=d&biw=1440&bih=783&tbm=isch&tbnid=njkABlvYoMeOIM:&imgrefurl=http://www.greencarreports.com/news/1079118_need-an-electric-car-charging-station-at-work-heres-one-for-free&docid=7ywn-IMbSk0AgM&imgurl=http://images.thecarconnection.com/smUchargepoint_100182292_s_n>.

(73) Assignee: **Volta Charging, LLC**, San Francisco, CA (US)

(**) Term: **15 Years**

(Continued)

(21) Appl. No.: **29/707,823**

Primary Examiner — Rosemary K Tarcza

(22) Filed: **Oct. 1, 2019**

(74) *Attorney, Agent, or Firm* — Morgan, Lewis & Bockius LLP

(51) **LOC (13) Cl.** **13-02**

(52) **U.S. Cl.**
USPC **D13/107**

(57) **CLAIM**

(58) **Field of Classification Search**
USPC D13/107–108, 118–119, 184, 199
CPC H02J 7/0021; H02J 7/0026; H02J 7/0027;
H02J 7/0013; H02J 2310/40; H02J
2310/48

The ornamental design for a charging station, as shown and described.

See application file for complete search history.

DESCRIPTION

(56) **References Cited**

U.S. PATENT DOCUMENTS

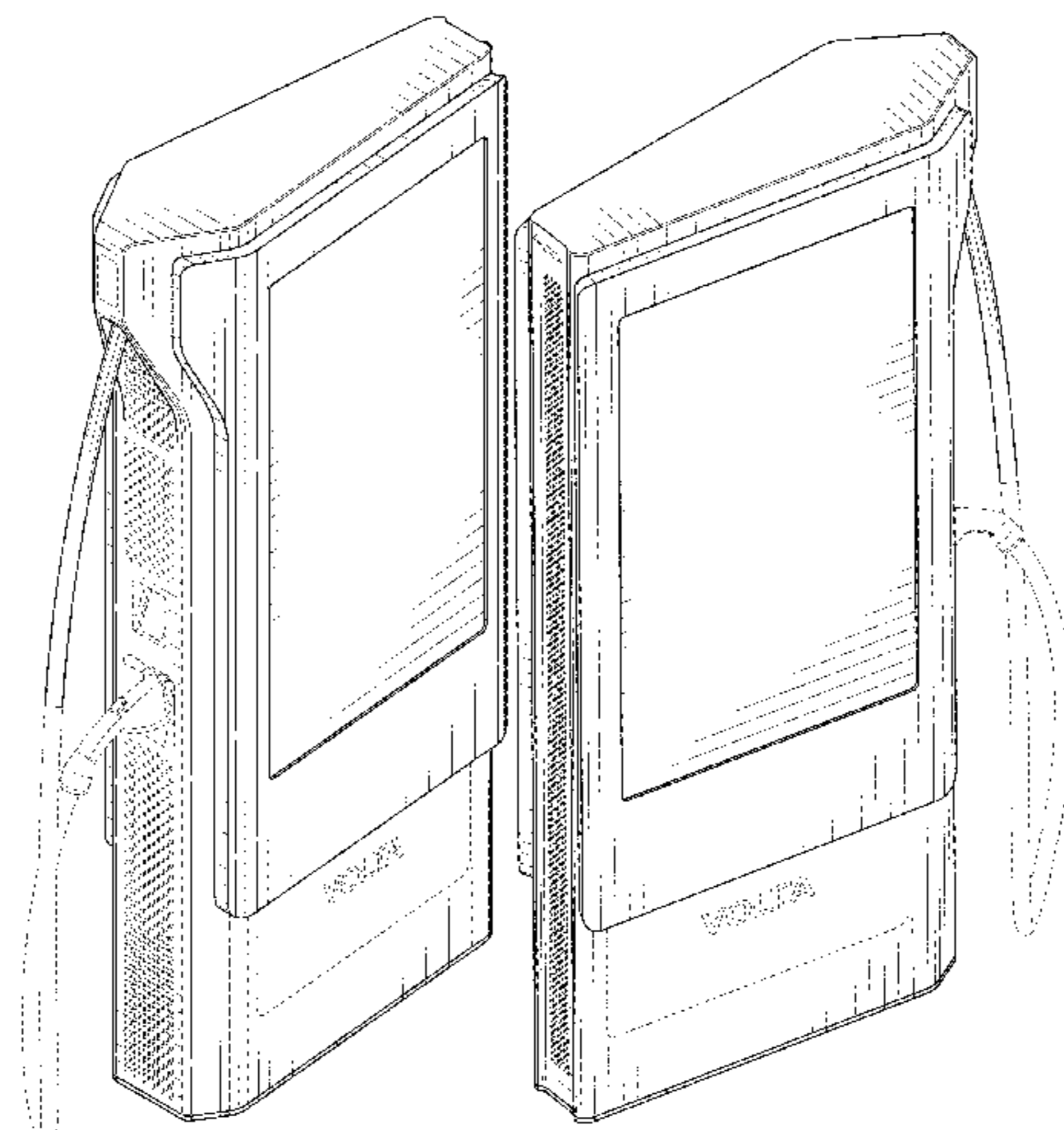
D273,580 S	4/1984	Riumbau	
D325,902 S *	5/1992	Hudson	D13/184
D459,234 S	10/2002	Kajiura	
D507,813 S	7/2005	Gillard	
D524,849 S	7/2006	Komai	
D542,849 S	5/2007	Hill et al.	
D603,337 S	11/2009	Katou	
D608,733 S	1/2010	Smith	
D608,734 S	1/2010	Smith	
D611,047 S	3/2010	Smith et al.	
D613,683 S	4/2010	Baxter et al.	
D618,168 S	6/2010	Baxter et al.	

(Continued)

FIG. 1 is a front perspective view of the charging station showing our new design;
FIG. 2 is a rear perspective view thereof;
FIG. 3 is a front elevational view thereof;
FIG. 4 is a rear elevational view thereof;
FIG. 5 is a left-side elevational view thereof;
FIG. 6 is a right-side elevational view thereof;
FIG. 7 is a top plan view thereof; and,
FIG. 8 is a bottom plan view thereof.

The broken lines immediately adjacent to the shaded areas represent the bounds of the claimed design, while all other broken lines depict portions of the charging station that form no part of the claimed design; the broken lines form no part of the claimed design.

1 Claim, 6 Drawing Sheets



(56)

References Cited

U.S. PATENT DOCUMENTS

D618,204 S 6/2010 Andre et al.
 D626,063 S 10/2010 Cutter et al.
 D626,064 S 10/2010 Cutter et al.
 D626,065 S 10/2010 Cutter et al.
 D633,908 S 3/2011 Arkana et al.
 D634,709 S 3/2011 Ichio
 D637,553 S 5/2011 Shin
 D637,595 S 5/2011 Mizusugi
 D639,800 S 6/2011 Magruder
 D644,218 S 8/2011 Arkana et al.
 D646,269 S 10/2011 Crick, Jr. et al.
 D647,053 S 10/2011 Gotou et al.
 D654,430 S 2/2012 Demers et al.
 D654,857 S 2/2012 Salazar et al.
 D654,858 S 2/2012 Salazar et al.
 D654,860 S 2/2012 Holthusen
 D654,861 S 2/2012 Holthusen
 D655,242 S 3/2012 Holthusen
 D659,635 S 5/2012 Hou et al.
 D659,641 S 5/2012 Kreitzer
 D663,270 S 7/2012 Lyford
 D663,692 S 7/2012 Sebald
 D664,086 S 7/2012 Chin-Ho Kim et al.
 D664,087 S 7/2012 Chin-Ho Kim et al.
 D664,089 S 7/2012 Chin-Ho Kim et al.
 D667,378 S 9/2012 Yamamoto
 D667,793 S 9/2012 Yamamoto
 D669,033 S 10/2012 Senk
 D669,071 S 10/2012 Akana et al.
 D670,651 S 11/2012 Mori
 D673,122 S 12/2012 Huss
 D674,334 S 1/2013 Cutter et al.
 D677,632 S 3/2013 Riddle
 D678,203 S 3/2013 Corona
 D679,652 S 4/2013 Lecoanet
 D683,307 S 5/2013 Lecoanet et al.
 D688,199 S 8/2013 Behar et al.
 D691,208 S 10/2013 Gorelick
 D694,188 S 11/2013 Ferguson
 D696,658 S 12/2013 Winston et al.
 D706,213 S 6/2014 Titus
 D708,572 S 7/2014 Hou et al.
 D708,573 S 7/2014 Gieniec et al.
 D708,574 S 7/2014 Gieniec et al.
 D712,349 S 9/2014 Ahlgren
 D720,285 S 12/2014 Gilomen
 D729,157 S 5/2015 Gilomen
 D729,158 S 5/2015 Gilomen
 D730,822 S 6/2015 Chin-Ho Kim
 D733,647 S 7/2015 Farrell
 D735,660 S * 8/2015 Ferguson D13/107
 D749,503 S 2/2016 Ferguson et al.
 D771,562 S 11/2016 Dolle
 D776,651 S 1/2017 Yates
 D777,101 S 1/2017 Shimada
 D778,818 S 2/2017 Bruining
 D783,596 S 4/2017 Payne et al.
 D788,098 S 5/2017 Thornton et al.
 D790,457 S 6/2017 Vargas et al.
 D795,193 S 8/2017 Huang
 D816,077 S 4/2018 Benic et al.
 D830,969 S 10/2018 Wang et al.
 D833,387 S 11/2018 Baxter et al.
 D838,668 S 1/2019 Westfall et al.
 D844,559 S 4/2019 Mercer et al.
 D850,438 S 6/2019 Koenigsknecht et al.
 D858,435 S 9/2019 Helnerus
 D858,512 S 9/2019 Angelopoulos et al.
 D864,108 S 10/2019 Ito
 D868,687 S 12/2019 de Silva et al.
 D872,687 S 1/2020 Mortun
 D876,342 S * 2/2020 Mercer D13/107
 D876,343 S * 2/2020 Mercer D13/107
 D876,344 S * 2/2020 Mercer D13/107
 D876,345 S * 2/2020 Mercer D13/107

D876,346 S * 2/2020 Mercer D13/107
 D883,199 S * 5/2020 Santander D13/107
 D893,414 S * 8/2020 Mercer D13/107
 D916,010 S * 4/2021 Gerber D13/107
 D938,348 S * 12/2021 Long D13/107
 2010/0296234 A1 11/2010 Crick, Jr.
 2011/0145141 A1 6/2011 Blain
 2012/0181984 A1 7/2012 Okabayashi et al.
 2012/0262112 A1 10/2012 Ross
 2013/0069588 A1 3/2013 Oda et al.
 2013/0207606 A1 8/2013 Ranga et al.
 2020/0009966 A1 * 1/2020 Kim H02M 1/4233
 2021/0242691 A1 * 8/2021 Hao B60L 53/67

OTHER PUBLICATIONS

“Smart Grids, Fast Charging—Infrastructure for Electric Car.” [retrieved on Nov. 7, 2012], Retrieved from the Internet <www.google.com/imgres?q=electric+vehicle+charging+stations&start=20&num=10&um=1&hl=en&tbo=d&biw=1440&bih=783&tbm=isch&tbnid=f4piNYxrLOy80M:&imgrefurl=http://www.impactlab.net/2008/07/28/smart-grids-fast-charging-infrastructure-for-electric-cars/&docid=3pBfeFH7Jg9mM&imgurl=http://www.impactlab.com/wp-content/uploads/2008/07/charging-station-london>.
 “EV News: first hotel to install electric car charging station for guests.” [retrieved on Nov. 7, 2012]. Retrieved from the Internet: <www.google.com/imgres?q=electric+vehicle+charging+stations&start=307&num=10&um=1&hl=en&tbo=d&biw=1440&bih=783&tbm=isch&tbnid=78HBWHajq0_ydM:&imgrefurl=http://www.examiner.com/article/ev-news-first-hotel-to-install-electric-car-charging-station-for-guests&docid=Hv6RWgv08bpOOM&imgurl=http://www.examiner.com/images/blog/wysiwyg/image/>.
 “EV Charging Station, Volta—Honolulu, Hawaii.” [retrieved on Dec. 30, 2012], Retrieved from the internet: <www.google.com/imgres?q=electric+vehicle-Fcharging+stations&start=307&num=10&um=1&hl=en&tbo=d&biw=1440&bih=783&tbm=isch&tbnid=78HBWHajq0_ydM:&imgrefurl=http://www.examiner.com/article/ev-news-first-hotel-to-install-electric-car-charging-station-for-guests&docid=Hv6RWgv08bpOOM&imgurl=http://www.examiner.com/images/blog/wysiwyg/image/>.
 Buffalo Niagara Medical Campus. “Electric Vehicle Charging Stations Installed Across Campus.” [retrieved on Dec. 30, 2012]. Retrieved from the Internet: <www.google.com/imgres?q=electric+vehicle-Fcharging+stations&start=554&um=1&hl=en&tbo=d&biw=1440&bih=783&tbm=isch&tbnid=5QoChyg4wMwOeM&imgrefurl=http://www.bnmc.org/electric-vehicle-charging-stations-installed-across-campus/&docid=VINctdKztXxtKM&imgurl=http://www.bnmc.org/wp-content/uploads/charging-stations>.
 “Electric-Vehicle Charging Stations Available at ACC Campuses.” [retrieved Dec. 30, 2012]. Retrieved from the Internet <www.google.com/imgres?q=electric+vehicle+charging+stafions&start=738&um=1&hl=en&tbo=d&biw=1440&bih=783&tbm=isch&tbnid=BCVZxvxp_xJfmM:&imgrefurl=http://Mnsideacc.ausfincc.edu/index.php/2012/01/13/electric-vehicle-charging-stafions-available-at-acc-campuses/&docid=WIRnei31J_vhM&imgurl=http://insideacc.austincc.edu/wp-content/uploads/HBC-Charging-Station>.
 LinkPHL Digital Kiosks. “Philly now has a free digital WiFi, charging, information kiosk on Market Street”, Emily Rolen, Dec. 11, 2018 [retrieved Apr. 15, 2019]. https://www.phillyvoice.com/philly-linkphl-kiosks-free-digital-wifi-market-street-septa/.
 Stewart, Douglas. “On the Same Day . . . DOE Ramps up Electric Vehicle Information; Costco removes EV chargers “No one uses” them.” [retrieved on Nov. 7, 2012], Retrieved from the Internet: <www.google.com/imgres?q=electric+vehicle+charging+stations&num=10&um=1&hl=en&tbo=d&biw=1440&bih=783&tbm=isch&tbnid=fy1RBJOdzLlwDM:&imgrefurl=http://ameristroika.wordpress.com/2011/08/30/on-the-same-day-doe-ramps-up-electric-vehicle-information-costco-removes-ev-chargers-no-one-uses-them/&docid=z4L5TL-rLf6l2M&imgurl=http://ameristroika.files.wordpress.com/2011/08/ev-recharging-station1>.
 Parsons, Sarah. “France Announces \$2.2 Billion Electric Car Charging Network.” [retrieved on Dec. 28, 2012], Retrieved from the

(56)

References Cited

OTHER PUBLICATIONS

Internet: <www.google.com/imgres?q=electric+vehicle-Fcharging+stations&num=10&um=1&hl=en&tbo=d&biw=1440&bih=783&tbm=isch&tbnid=QfP2cslOfm0K2MAimgrefurl=http://inhabitat.com/massachusetts-set-to-install-100-ev-charging-stations/&docid=NKQtedu9SWSKBM&imgurl=http://assets.inhabitat.com/wp-content/uploads/>.

Smartlet Coulomb Charging Station, [retrieved Nov. 7, 2012], Retrieved from the Internet: <www.google.com/imgres?q=electnc+vehicle+charging+stations&num=10&um=1&hl=en&tbo=d&biw=1440&bih=783&tbm=isch&tbnid=RKicGBKiRP2P7M:&imgrefurl=http://news.cnet.com/8301-11128_3-10167445-54.html&docid=CWP1h-N1014k3M&imgurl=http://news.cnet.com/i/bto/20090219/smartlet_Coulomb_charging_station-cityhall_270x407.jpg&w=270&h=407&ei=DmWZUK6hMPOIOAGzx4DQBg&zoom=1&iact=hc&vpx=4&vpy=225&dur=5367&hovh=276&ln>.

Bloomfield, Nikki Gordon. "Need An Electric Car Charging Station At Work? Here's One For Free." [retrieved 2012-11-07], Retrieved from the Internet: <www.google.com/imgres?q=electric+vehicle-Fcharging+stations&start=22&num=10&um=1&hl=en&tbo=d&biw=1440&bih=783&tbm=isch&tbnid=njkABIVYoMeOIM:&imgrefurl=http://www.greencarreports.com/news/1079118_need-an-electric-car-charging-station-at-work-heres-one-for-free&docid=7ywn-IMbSk0AgM&imgurl=http://images.thecarconnection.com/smUchargepoint_100182292_s_n>.

"Top 20 electric vehicle charging station companies." [retrieved Nov. 7, 2012], Retrieved from the Internet: <www.google.com/imgres?q=electnc+vehicle+charging+stations&start=22&num=10&um=1&hl=en&tbo=d&biw=1440&bih=783&tbm=isch&tbnid=Xkyb5eDD_qzaxM:&imgrefurl=http://www.evcarco.com/evcarco/2012/01/27/ev-industry-charging-station-trends-united-states/&docid=kQyau38F05amJM&imgurl=http://www.evcarco.com/evcarco/wp-content/uploads/2012/01/EV-Charging-Station-fast>.

"Singapore: Robert Bosch appointed to set up EV charging station infrastructure." [retrieved on Dec. 30, 2012], Retrieved from the Internet: <www.google.com/imgres?q=electric+vehicle-Fcharging+stations&start=59&num=10&um=1&hl=en&tbo=d&biw=1440&bih=783&tbm=isch&tbnid=zbLiKh-Op70WnM:&imgrefurl=http://theenergycollective.com/sklowem/44983/singapore-robert-bosch-appointed-set-ev-charging-station-infrastructure&docid=LNEAMWlerfHiDM&imgurl=http://lh5.ggpht.com/LBgmD4fIGMVcTK_7eL5IPW1/AAAAAAAAAEeb>.

"EV News: first hotel to install electric car charging station for guests." [retrieved on Nov. 7, 2012], Retrieved from the Internet: <www.google.com/imgres?q=electric+vehicle+charging+stations&start=307&num=10&um=1&hl=en&tbo=d&biw=1440&bih=783&tbm=isch&tbnid=78HBWHajqO_ydM:&imgrefurl=http://www.examiner.com/article/ev-news-first-hotel-to-install-electric-car-charging-station-for-guests&docid=Hv6RWgv08bpOOM&imgurl=http://www.examiner.com/images/blog/wysiwyg/image/>.

examiner.com/article/ev-news-first-hotel-to-install-electric-car-charging-station-for-guests&docid=Hv6RWgv08bpOOM&imgurl=http://www.examiner.com/images/blog/wysiwyg/image/>.

"EV Charging Station, Volta - Honolulu, Hawaii." [retrieved on Dec. 30, 2012], Retrieved from the Internet: <www.google.com/imgres?q=electric+vehicle-Fcharging+stations&start=307&num=10&um=1&hl=en&tbo=d&biw=1440&bih=783&tbm=isch&tbnid=78HBWHajqO_ydM:&imgrefurl=http://www.examiner.com/article/ev-news-first-hotel-to-install-electric-car-charging-station-for-guests&docid=Hv6RWgv08bpOOM&imgurl=http://www.examiner.com/images/blog/wysiwyg/image/>.

Campus Life Services. "Charge your vehicle with us." [retrieved on Dec. 30, 2012], Retrieved from the Internet: <www.google.com/imgres?q=electric+vehicle-Fcharging+stations&start=713&um=1&hl=en&tbo=d&biw=1440&bih=783&tbm=isch&tbnid=9kS7R5ujBHDtOM:&imgrefurl=http://campuslifeservices.ucst.edu/16.784&docid=YUOFyHbLzoddMimgurl=http://campuslifeservices.ucsf.edu/upload/cls/body_images/EV_2_car_charge_unit300.jpg&w=300&h=400&ei=GmqZULylLsSxOAG-4CoDA&zoom=1&iact=hc&vpx=595&vpy=11&dur=8286&hovh=259&hu>.

University of Maryland: The Department of Transportation Services. "About Electric Vehicle Charging Stations." [retrieved on Nov. 7, 2012], Retrieved from the Internet: <<http://www.google.com/imgres?q=electric+vehicle+charging+kiosk&um=1&hl=en&tbo=d&biw=813&bih=453&tbm=isch&tbnid=s6QZc2vv4M1g-MAimgrefurl=http://www.transportation.umd.edu/chargingstation.html&docid=DuYNDCLikGewXM&imgurl=http://www.transportation.umd.edu/images/charging-station.png&w=230&h=320&ei=dGuZUK3sL9060AGz9oHIDw&zoom=1&iact=hc&vpx=498&vpy=59&dur=3576&hovh=256Ma>>.

Moon, Jade. "Getting An EV Charge for Free." [retrieved on Dec. 30, 2012], Retrieved from the Internet: <www.google.com/imgres?q=electric-Fvehicle+charging+kiosk&um=1&hl=en&tbo=d&biw=813&bih=453&tbm=isch&tbnid=spbpBxbTvGDwlMAimgrefurl=http://www.midweek.com/getting-an-ev-charge-for-free/&docid=Wh1DDUhKhM7U1M&imgurl=http://www.midweek.com/wp-content/uploads/2012/04/moon.jpg&w=300&h=199&ei=dGuZUK3sL9060AGz9oHIDw&zoom=1&iact=hc&vpx=4&vpy=185&dur=3366&hovh=159&hou>.

Electric Vehicle Kiosk, [retrieved on Nov. 7, 2012], Retrieved from the Internet: <www.google.com/imgres?q=electric+vehicle+charging+kiosk&um=1&hl=en&tbo=d&biw=813&bih=453&tbm=isch&tbnid=19Qs24hR5V2XAM:&imgrefurl=http://article.wn.com/view/2012/04/04/OpConnect_Leads_the_Way_With_Social_MediaEnabled_Electric_Ve/&docid=GswMhligP_2aVM&imgurl=http://M.ytimg.com/vi/SdF4WoQqkYY/0.jpg&w=480&h=360&ei=dGuZUK3sL9060AGz9oHIDw&zoom=1&iact=hc&vpx=530&vpy=17&dur=10132&hovh=19441>.

* cited by examiner

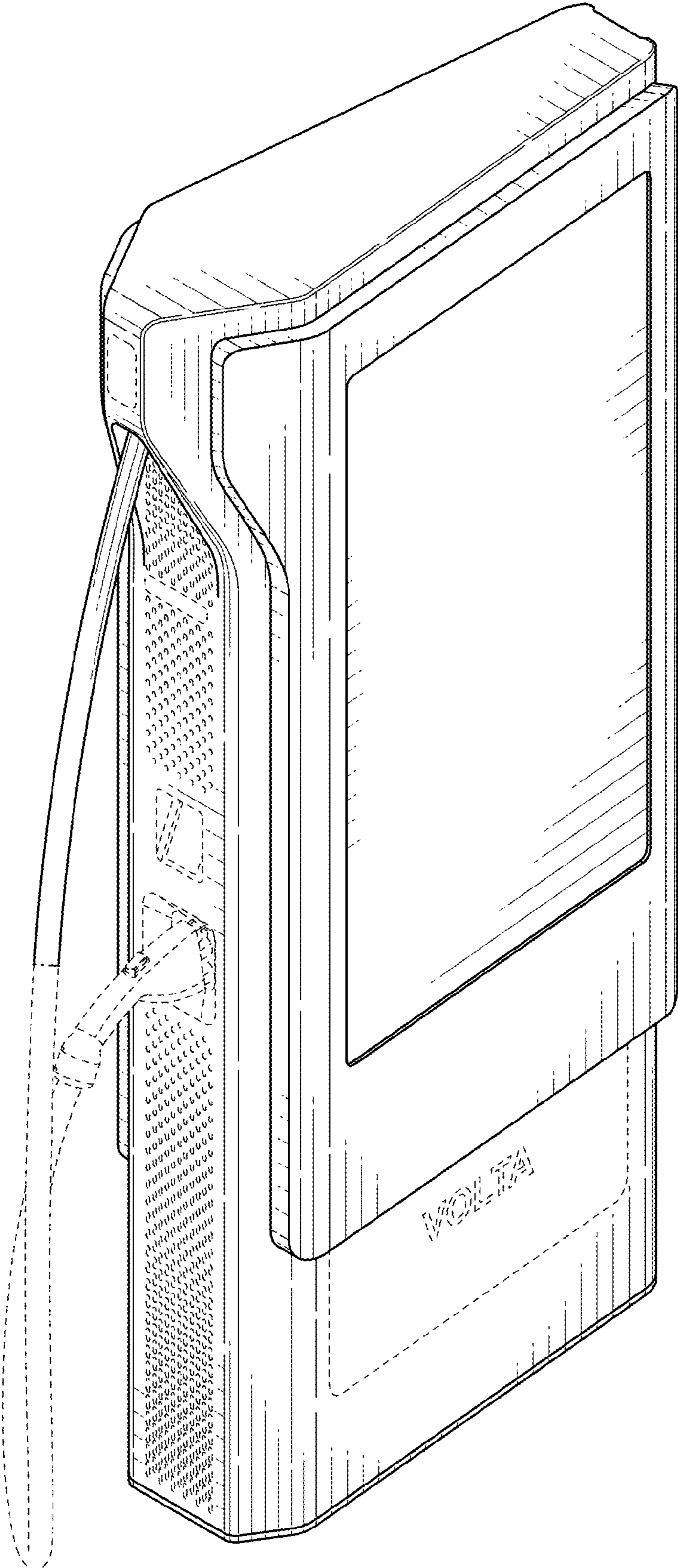


FIG. 1

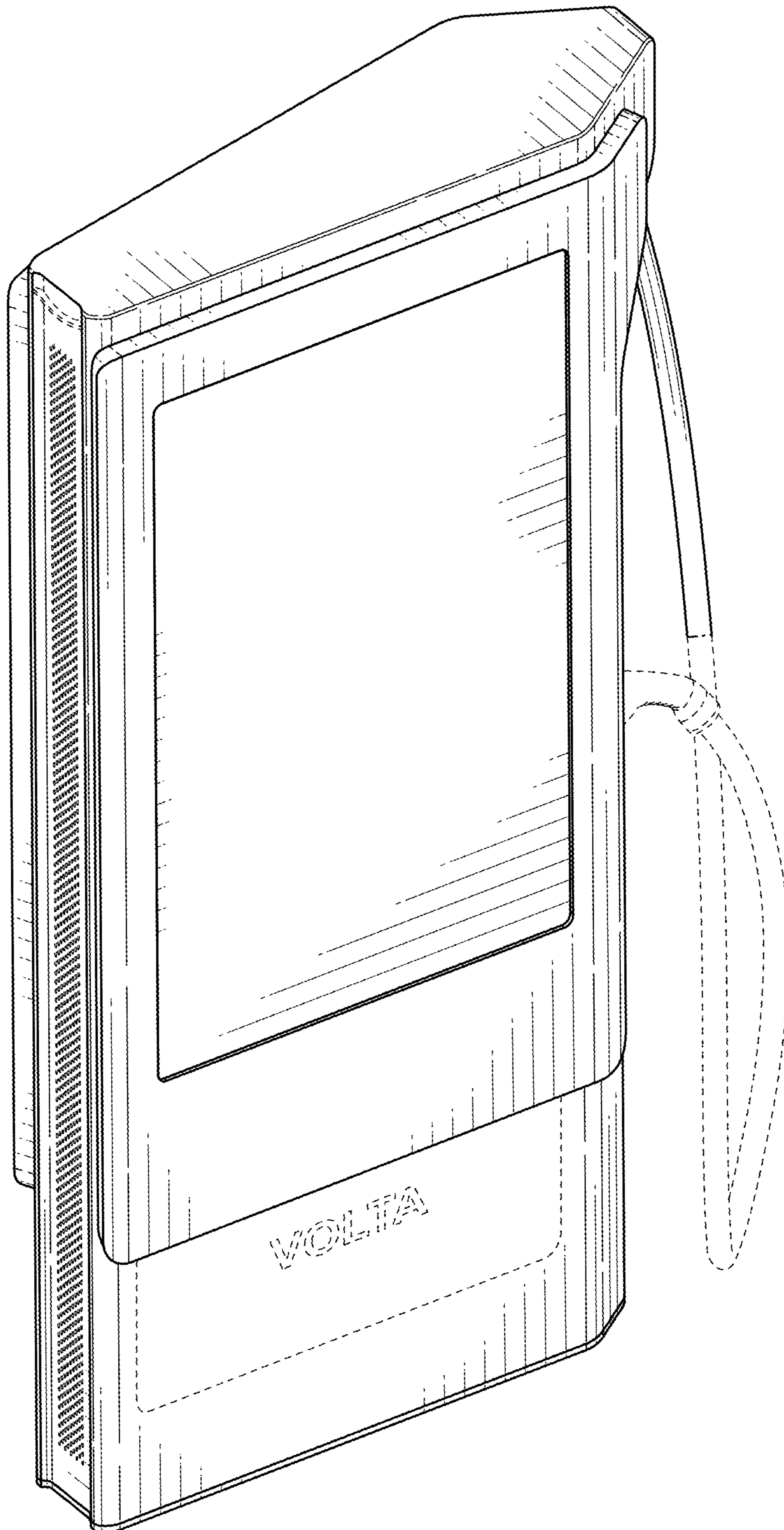


FIG. 2

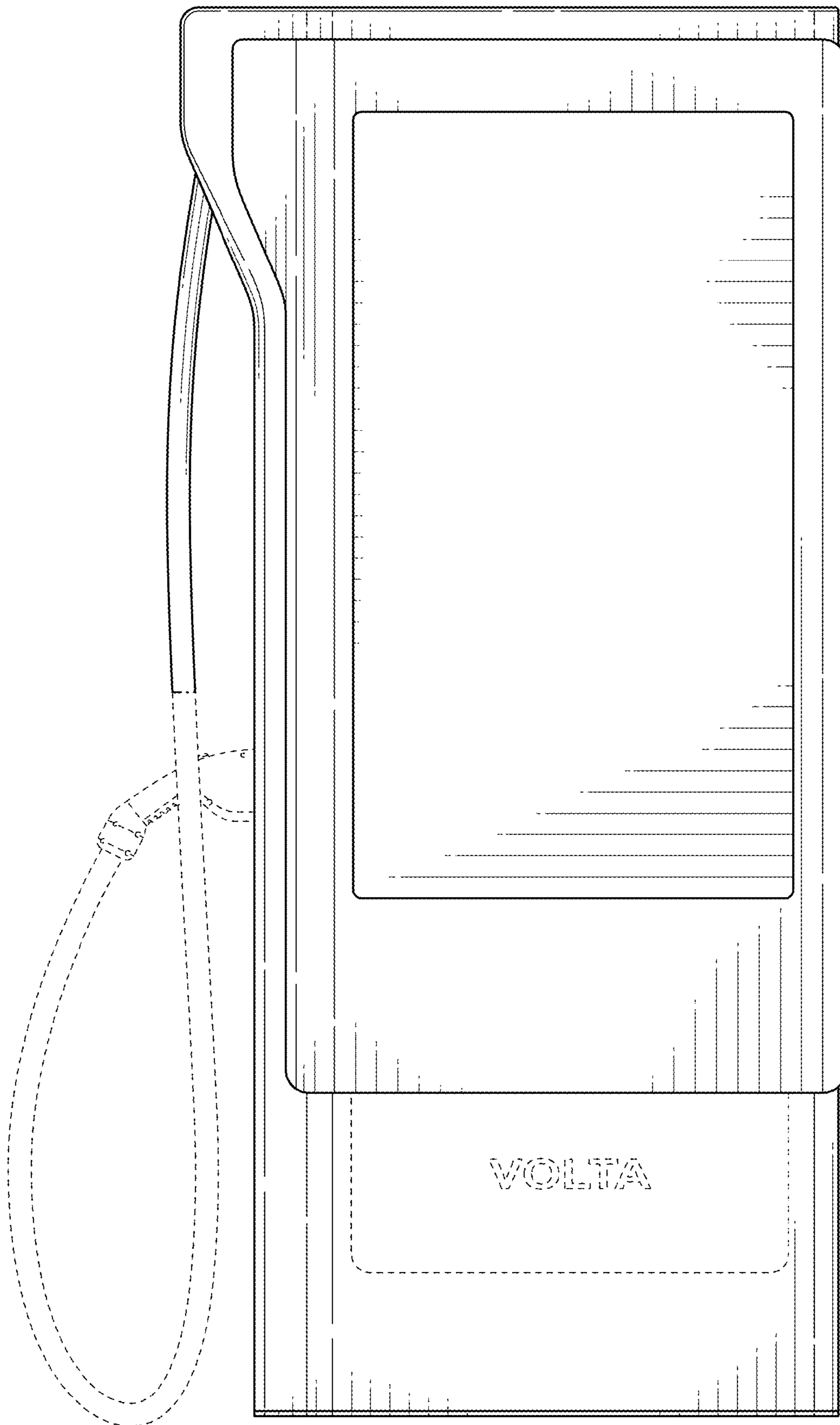


FIG. 3

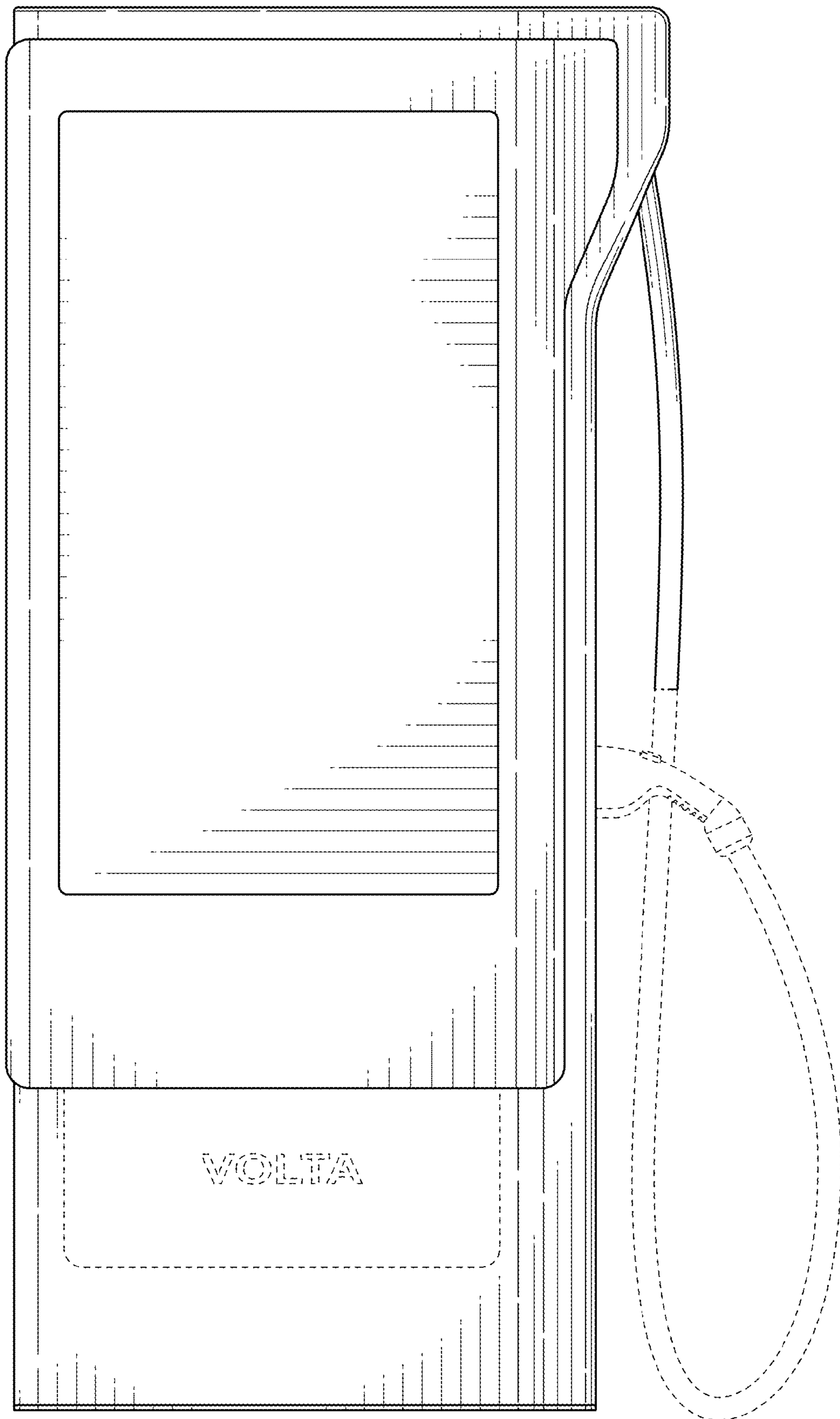


FIG. 4

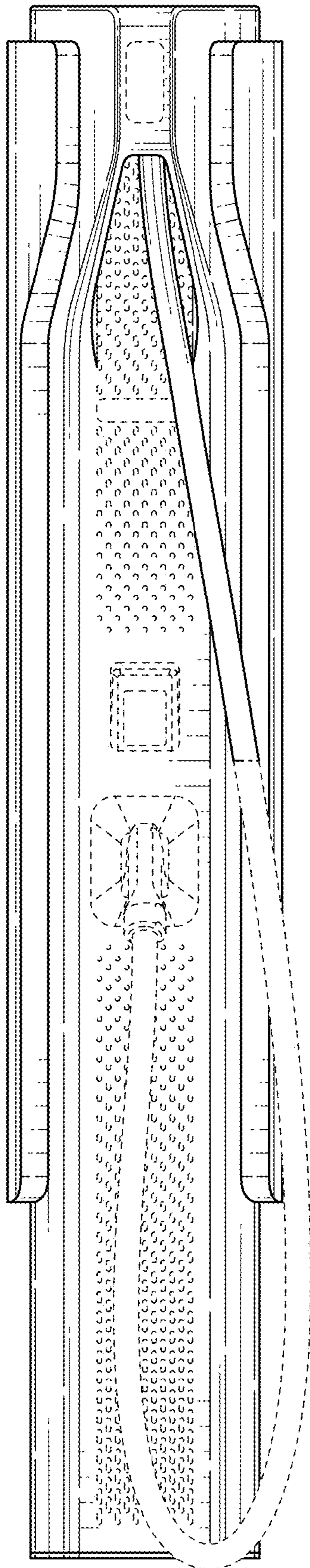


FIG. 5

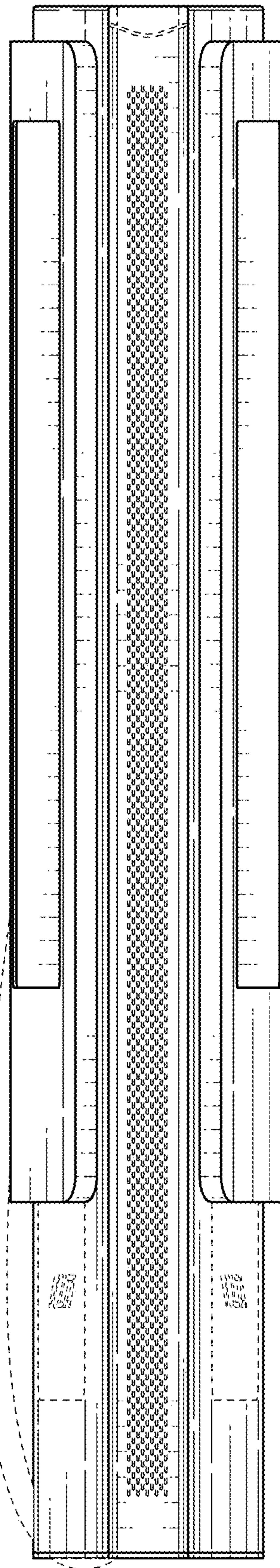


FIG. 6

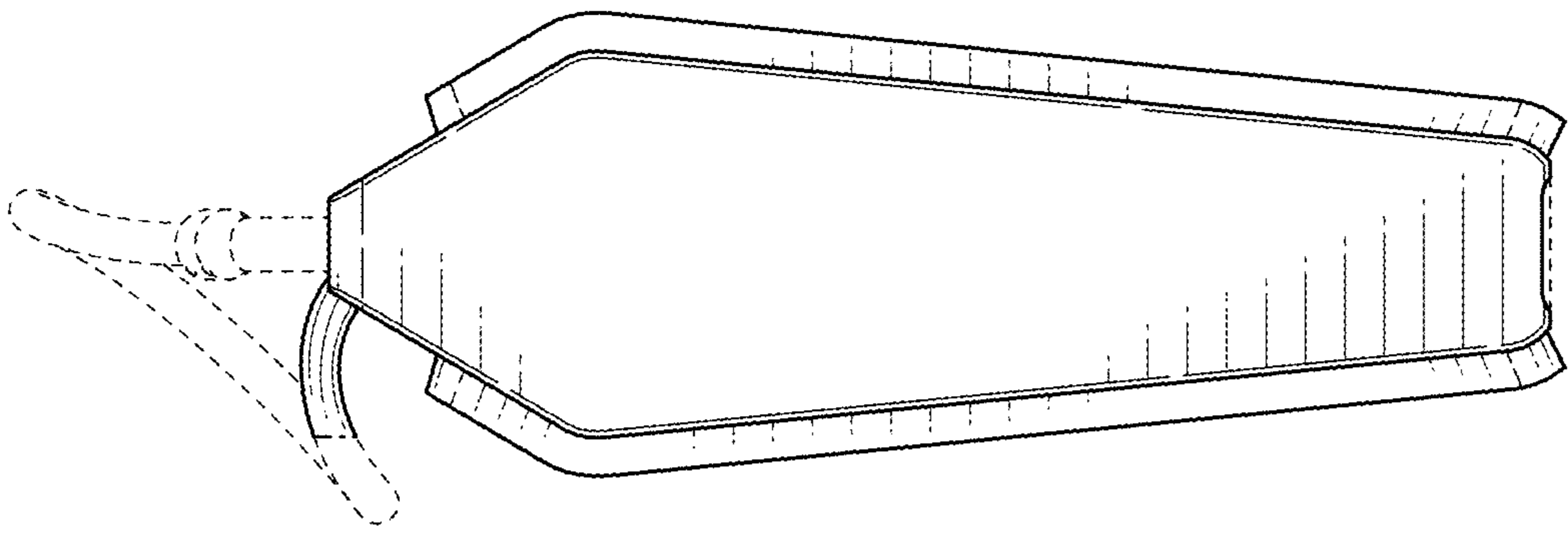


FIG. 7

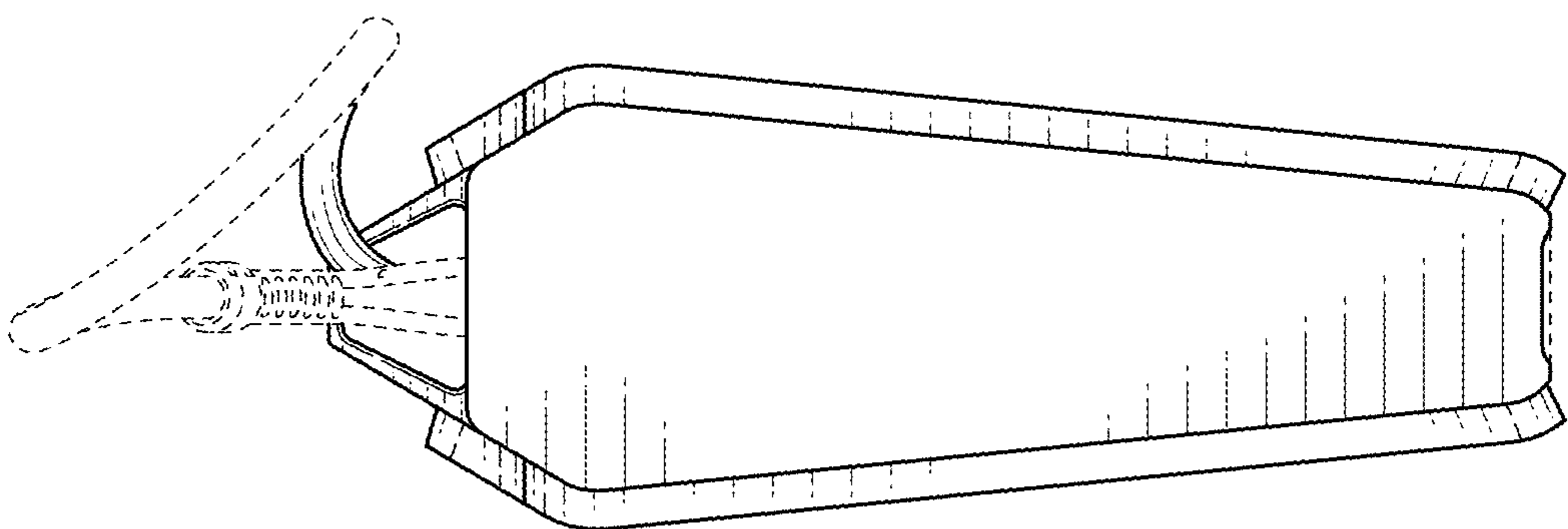


FIG. 8