



US00D962855S

(12) **United States Design Patent** (10) **Patent No.:** **US D962,855 S**  
**Inglés et al.** (45) **Date of Patent:** **\*\* Sep. 6, 2022**

(54) **CONTROL UNIT FOR A SOLAR TRACKER**

*Primary Examiner* — Rhea Shields

(71) Applicant: **SOLTEC INNOVATIONS, S.L.**,  
Molina de Segura (ES)

(74) *Attorney, Agent, or Firm* — Hassan Abbas Shakir;  
Shakir Law PLLC

(72) Inventors: **José Ángel Gracia Inglés**, Murcia  
(ES); **Rafael Villar Laguna**, Alicante  
(ES)

(57) **CLAIM**

The ornamental design for a control unit for a solar tracker,  
as shown and described.

(\*\*) Term: **15 Years**

(21) Appl. No.: **35/511,286**

(22) Filed: **Oct. 16, 2020**

**DESCRIPTION**

(80) **Hague Agreement Data**

Int. Filing Date: **Oct. 16, 2020**

Int. Reg. No.: **DM/212431**

Int. Reg. Date: **Oct. 16, 2020**

Int. Reg. Pub. Date: **Feb. 5, 2021**

The patent or application file contains at least one drawing  
executed in color. Copies of this patent or patent application  
publication with color drawing(s) will be provided by the  
Office upon request and payment of the necessary fee.

(51) **LOC (13) Cl.** ..... **13-04**

(52) **U.S. Cl.**  
USPC ..... **D13/102**

(58) **Field of Classification Search**  
USPC ..... **D13/102, 103, 107, 108**  
See application file for complete search history.

Figure **4.1**: Front view of the control unit for a solar tracker;  
Figure **4.2**: Left view of the control unit for a solar tracker;  
Figure **4.3**: Rear view of the control unit for a solar tracker;  
Figure **4.4**: Right view of the control unit for a solar tracker;  
Figure **4.5**: Top plan view of the control unit for a solar  
tracker;  
Figure **4.6**: Bottom plan view of the control unit for a solar  
tracker;  
Figure **4.7**: Front perspective view of the control unit for a  
solar tracker;  
Figure **4.8**: Rear perspective view of the control unit for a  
solar tracker.

(56) **References Cited**

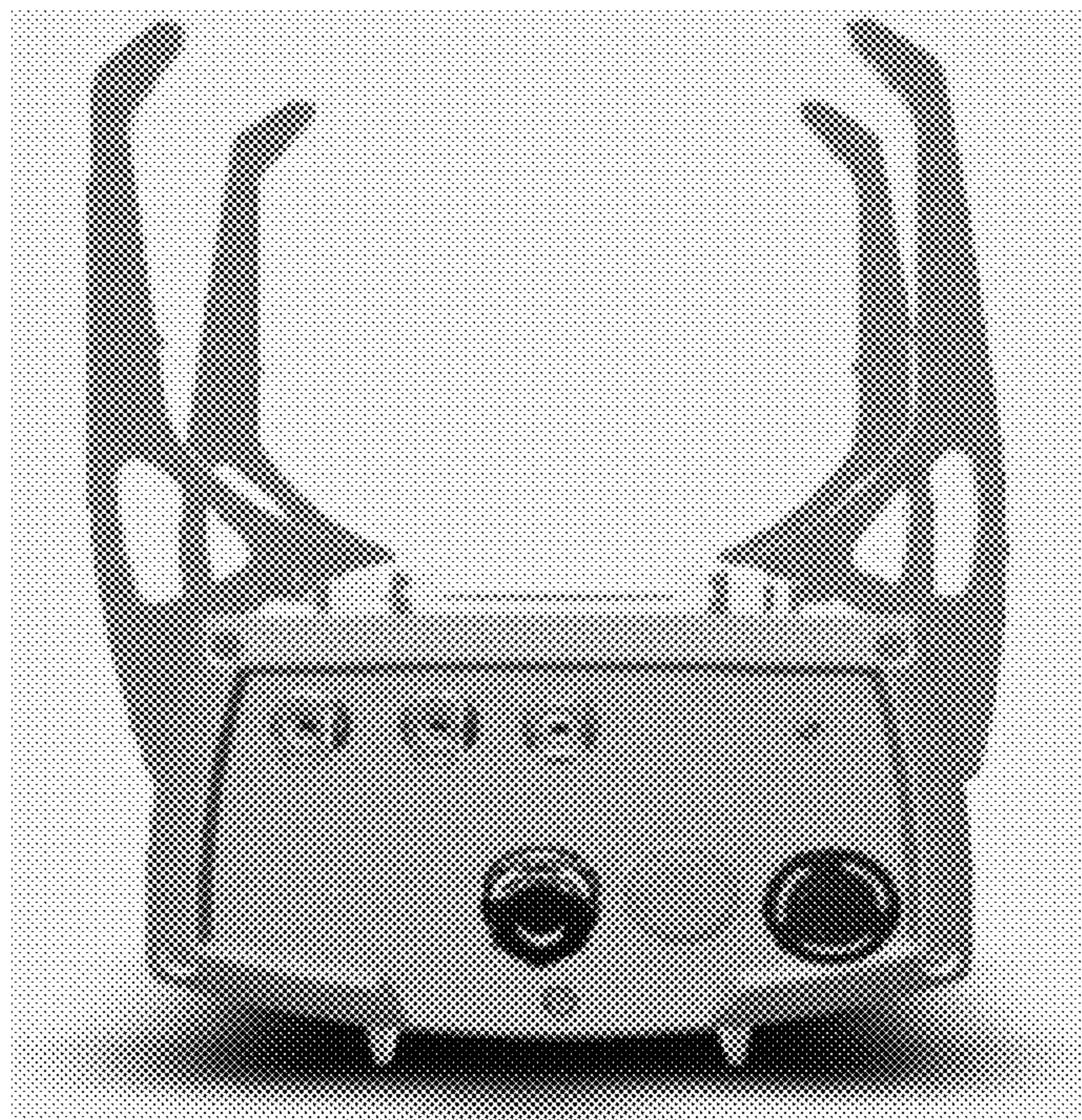
**U.S. PATENT DOCUMENTS**

D516,501 S *	3/2006	Ware, Jr.	.....	D13/107
D639,730 S *	6/2011	Kawase	.....	D13/103
D908,081 S *	1/2021	Huang	.....	D13/102
D940,645 S *	1/2022	Smalley	.....	D13/102

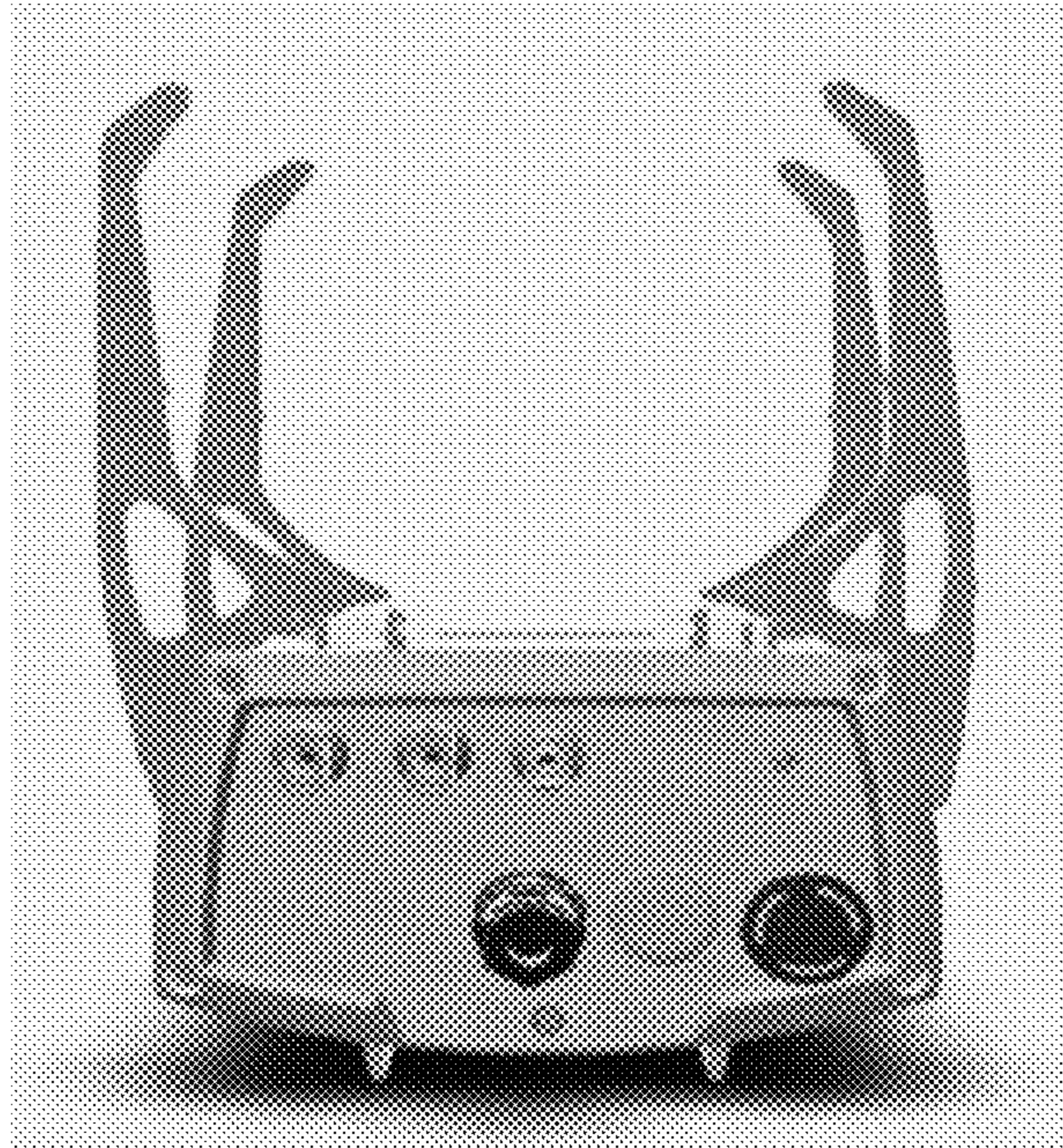
In the reproductions, the broken lines are for the purpose of  
illustrating portions of the control unit for a solar tracker that  
forms no part of the claimed design.

\* cited by examiner

**1 Claim, 8 Drawing Sheets**  
**(8 of 8 Drawing Sheet(s) Filed in Color)**

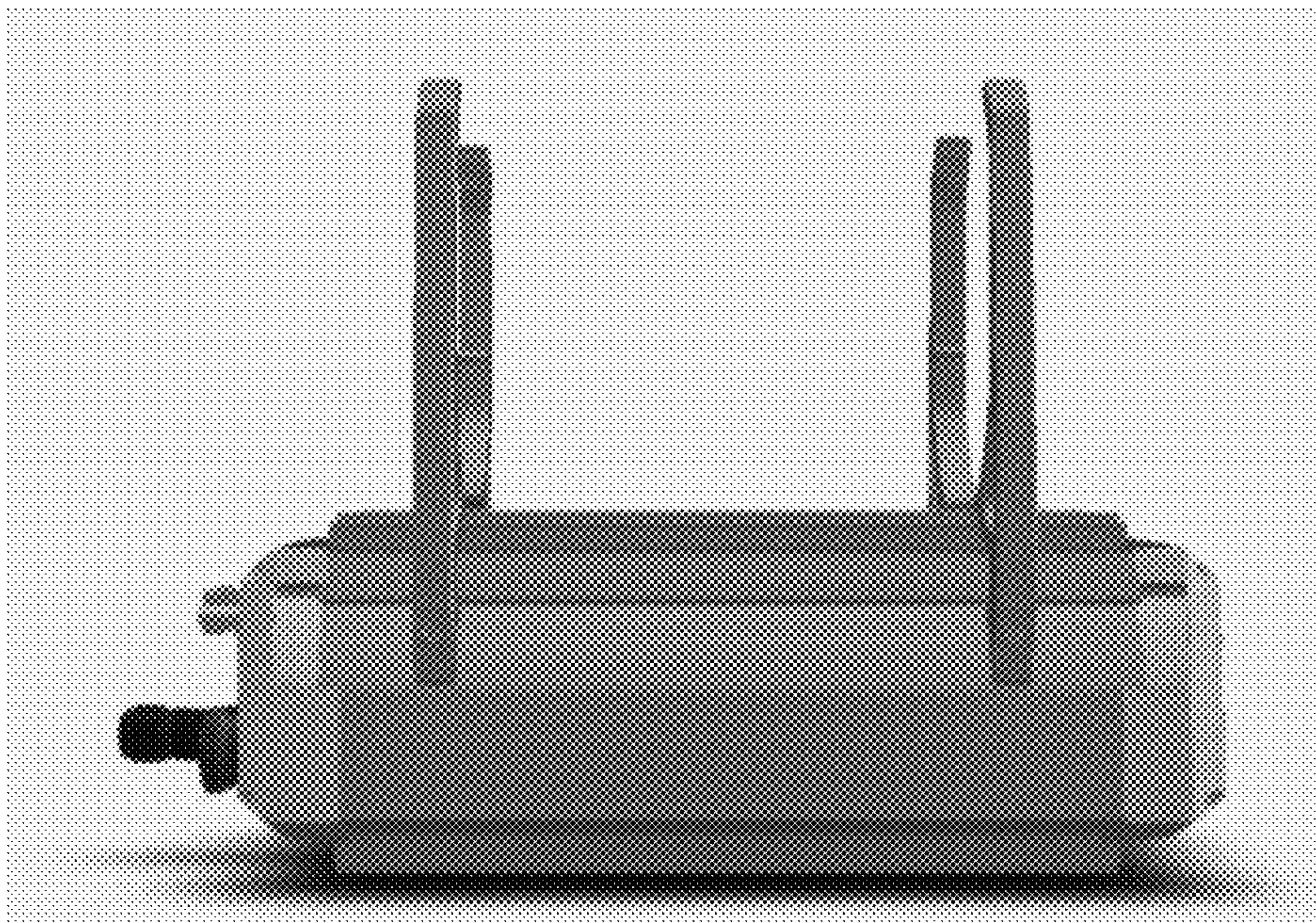


# 4.1

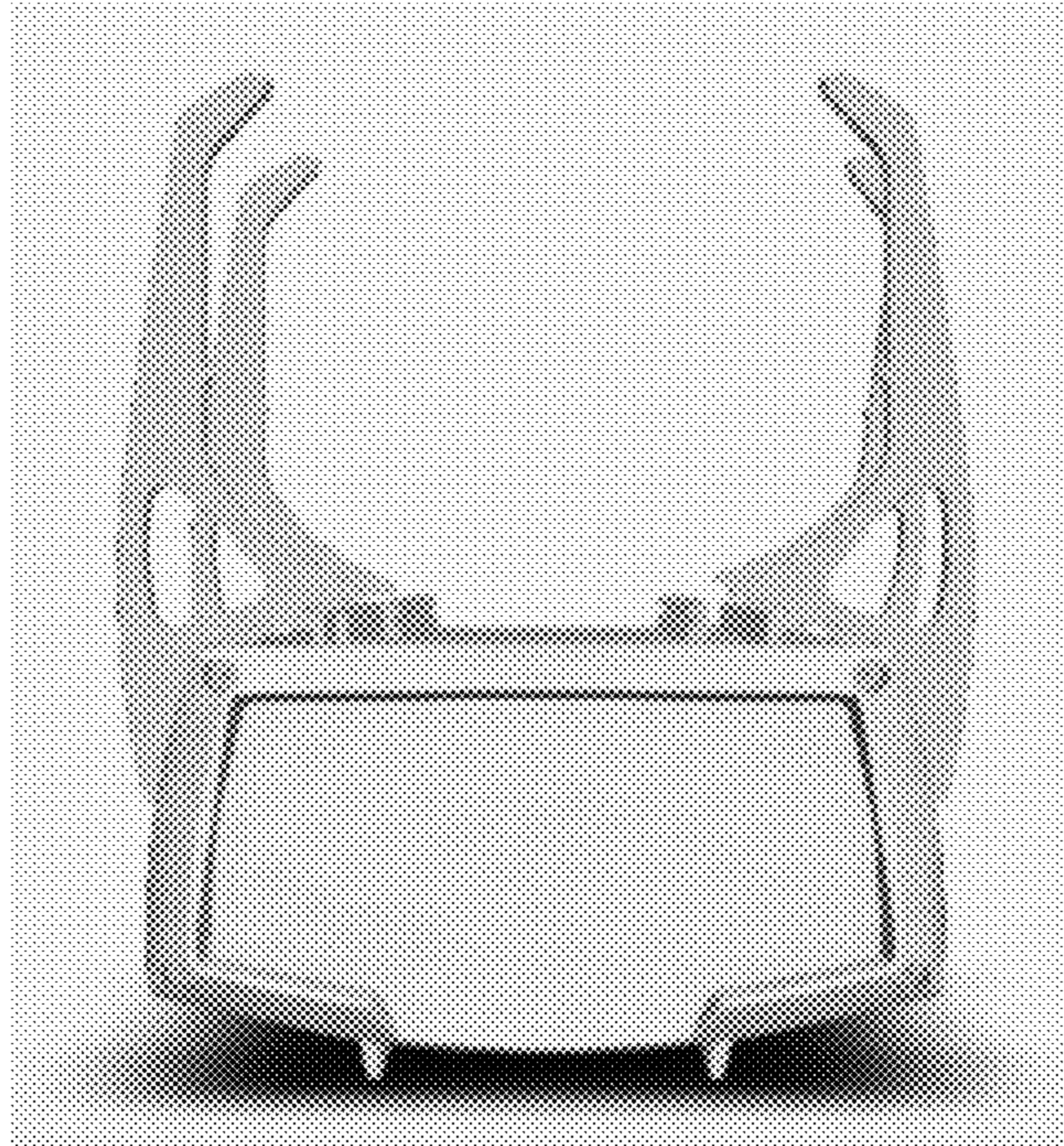




4.2

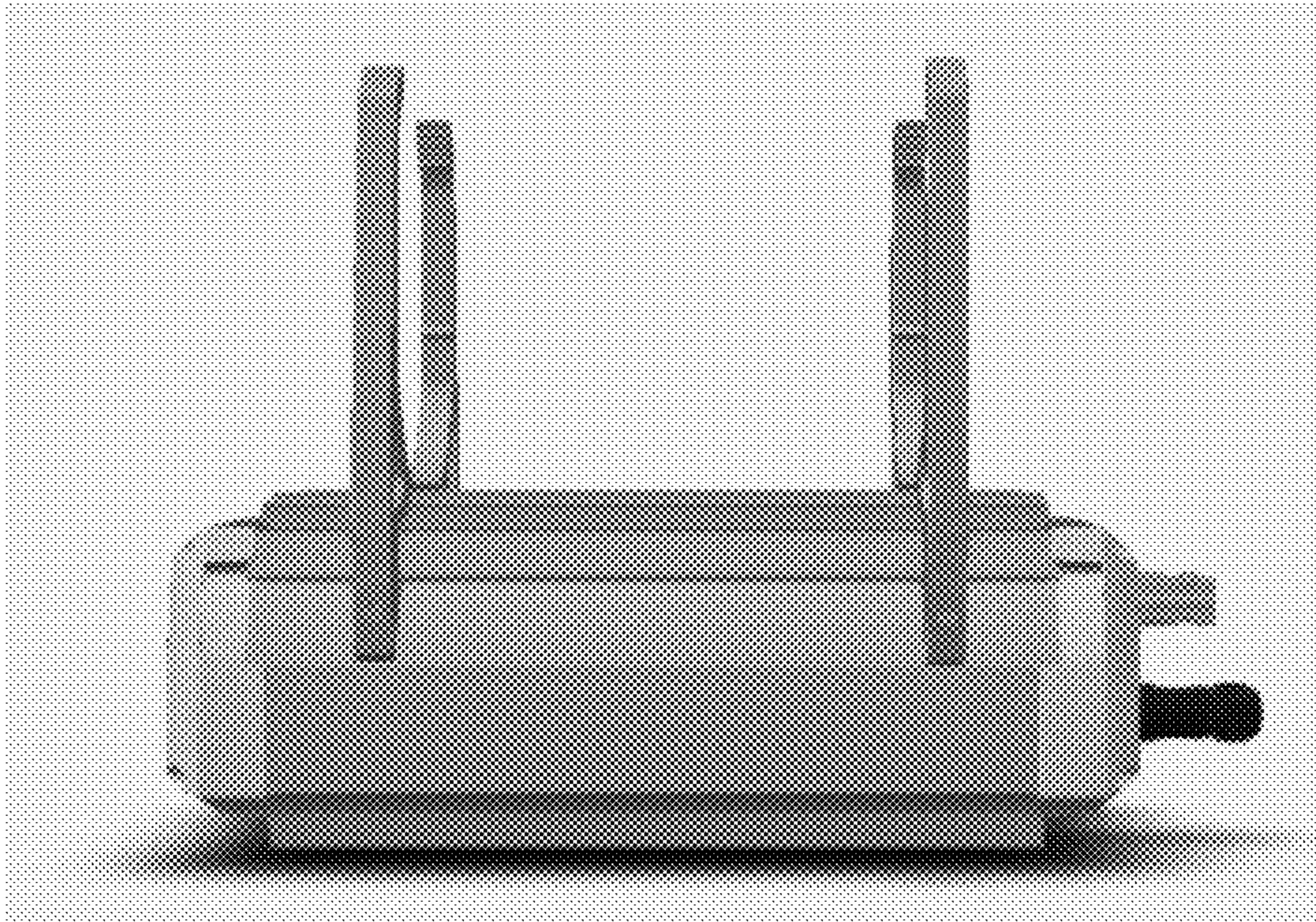


4.3

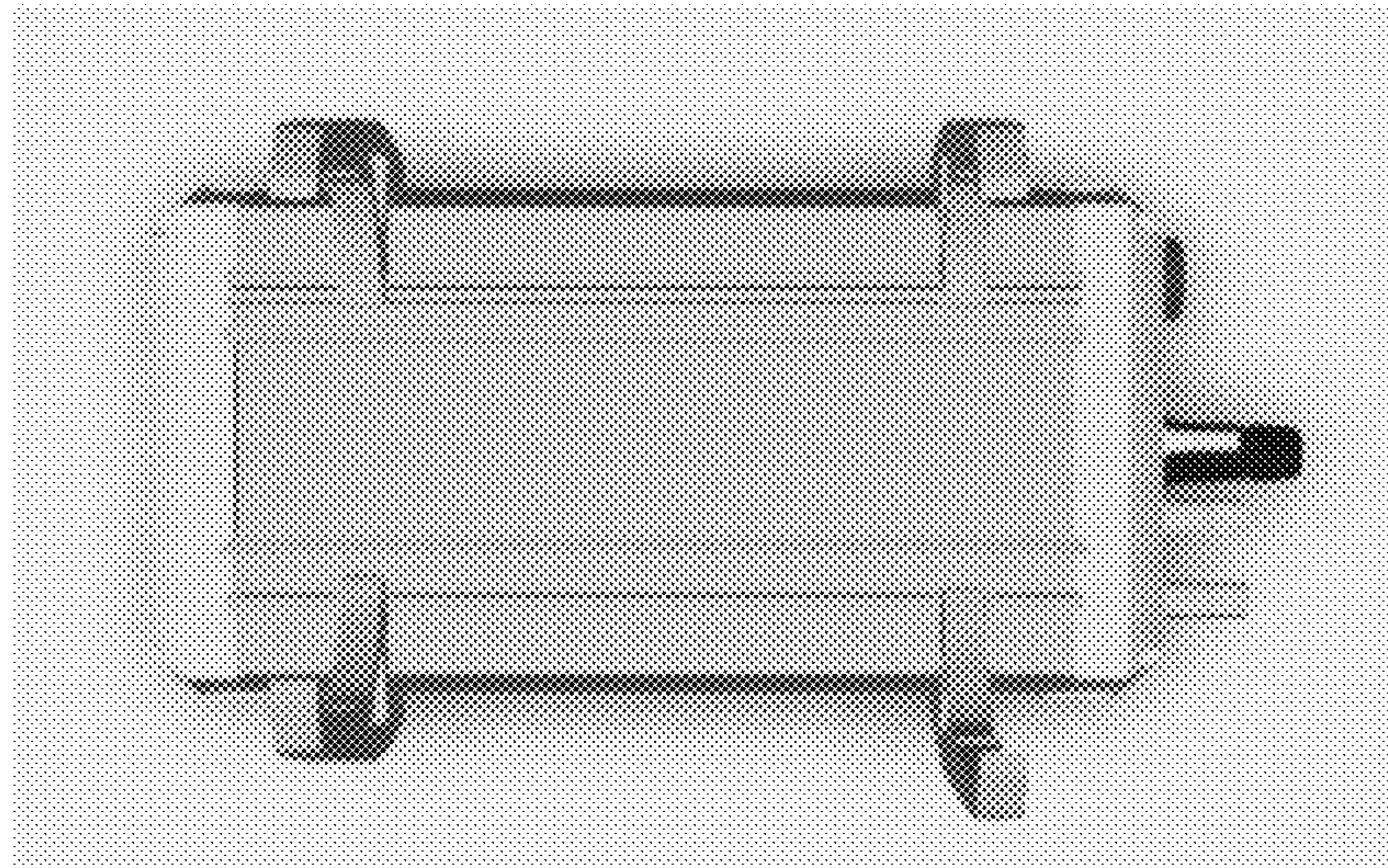




4.4

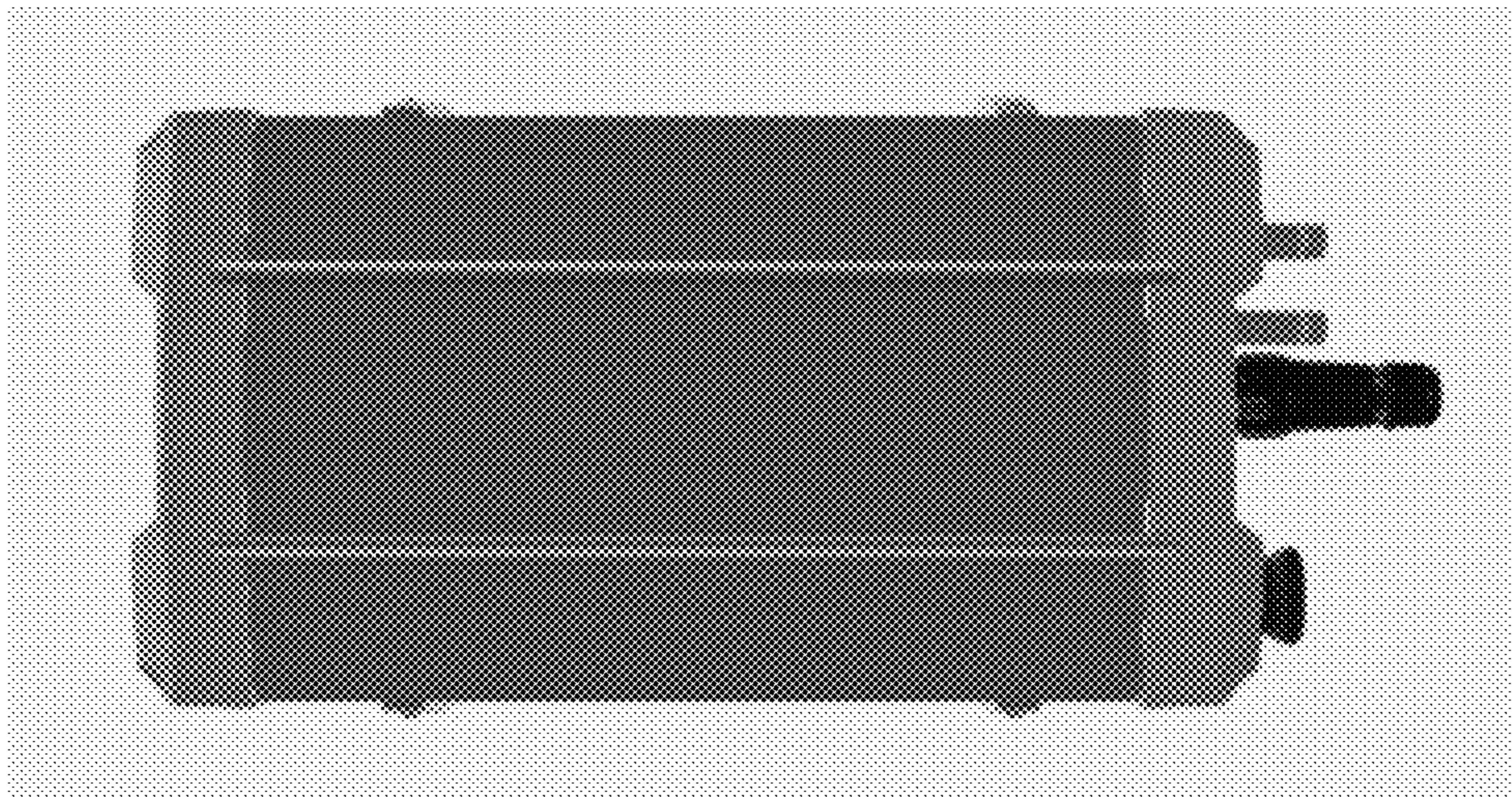


4.5

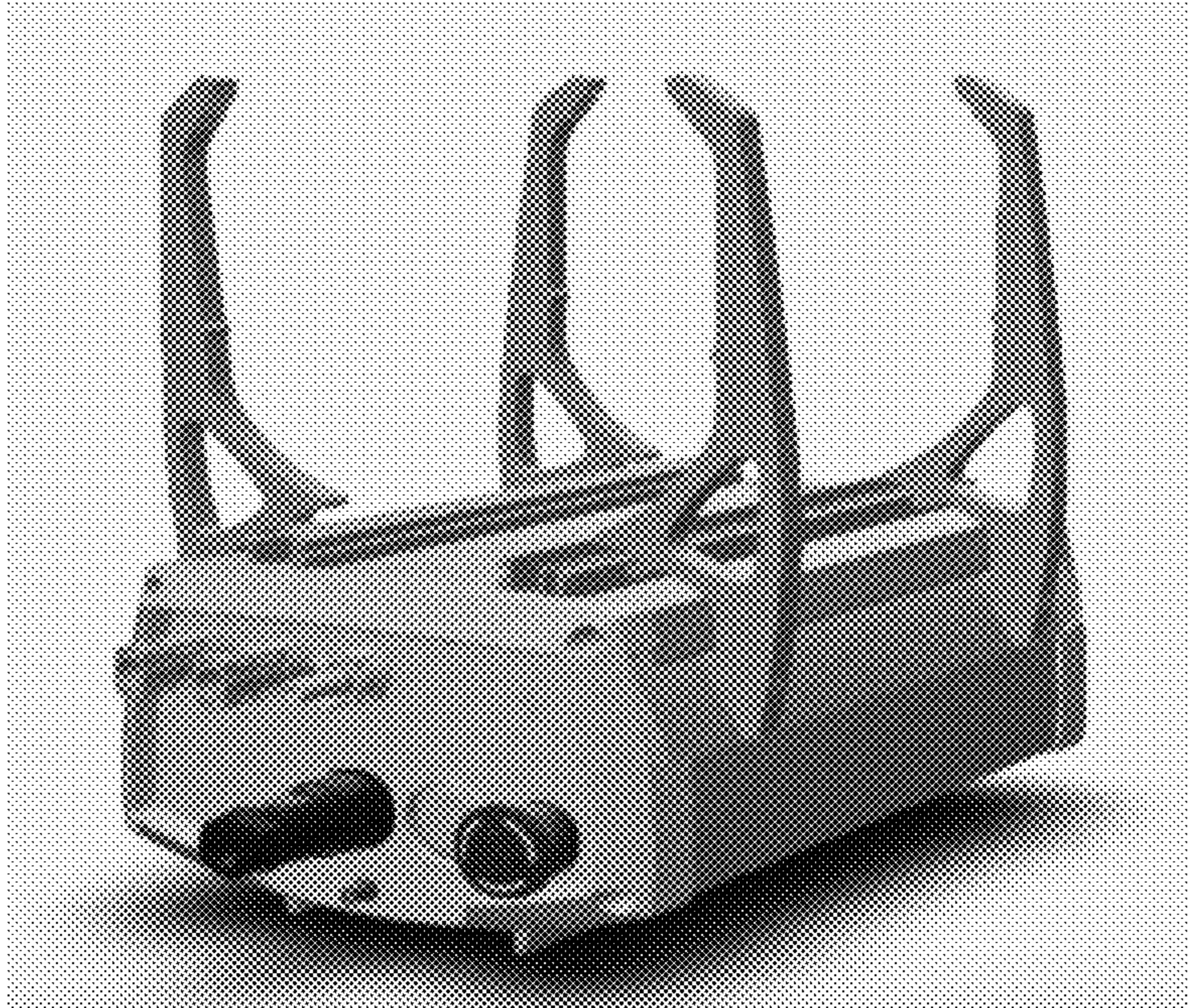




4.6



4.7





4.8

