



US00D962854S

(12) **United States Design Patent** (10) **Patent No.:** **US D962,854 S**  
**Dreyer** (45) **Date of Patent:** **\*\* Sep. 6, 2022**

- (54) **SOLAR PANEL BRACKET**
- (71) Applicant: **LMS Energy Pty Ltd**, Unley (AU)
- (72) Inventor: **Ryan Dreyer**, Unley (AU)
- (73) Assignee: **LMS Energy Pty Ltd**, Unley (AU)
- (\*\*) Term: **15 Years**
- (21) Appl. No.: **29/775,885**
- (22) Filed: **Mar. 25, 2021**

D774,874 S \* 12/2016 Wentzel ..... D8/349  
 D843,932 S \* 3/2019 Sinai ..... D13/102  
 D864,854 S \* 10/2019 Sinai ..... D13/102

\* cited by examiner

*Primary Examiner* — Derrick E Holland  
 (74) *Attorney, Agent, or Firm* — Avek IP, LLC; Kent R. Erickson

(30) **Foreign Application Priority Data**

Sep. 30, 2020 (AU) ..... 202015382

(51) **LOC (13) Cl.** ..... **13-02**

(52) **U.S. Cl.**  
USPC ..... **D13/102**

(58) **Field of Classification Search**  
 USPC ..... D13/102, 118, 184, 199; D8/355, 356,  
 D8/354; D25/119, 123, 124, 125  
 CPC .... F24J 2/46; F24J 2/526; F24J 2/5207; F24J  
 2/5211; F24J 2/5245; F24J 2/5258; Y02E  
 10/47; Y02E 10/40; Y02E 10/50; Y02B  
 10/20; H01L 31/042; H01L 31/048; H01L  
 31/0525; H02S 30/10  
 See application file for complete search history.

(56) **References Cited**

U.S. PATENT DOCUMENTS

- 7,435,134 B2 \* 10/2008 Lenox ..... F24S 25/20  
52/173.3
- D581,250 S \* 11/2008 Florent ..... D8/349
- D616,287 S \* 5/2010 Lavoie ..... D8/354
- 8,595,996 B2 \* 12/2013 Korman ..... H02S 30/10  
52/173.3
- D702,629 S \* 4/2014 Fukumochi ..... D13/102

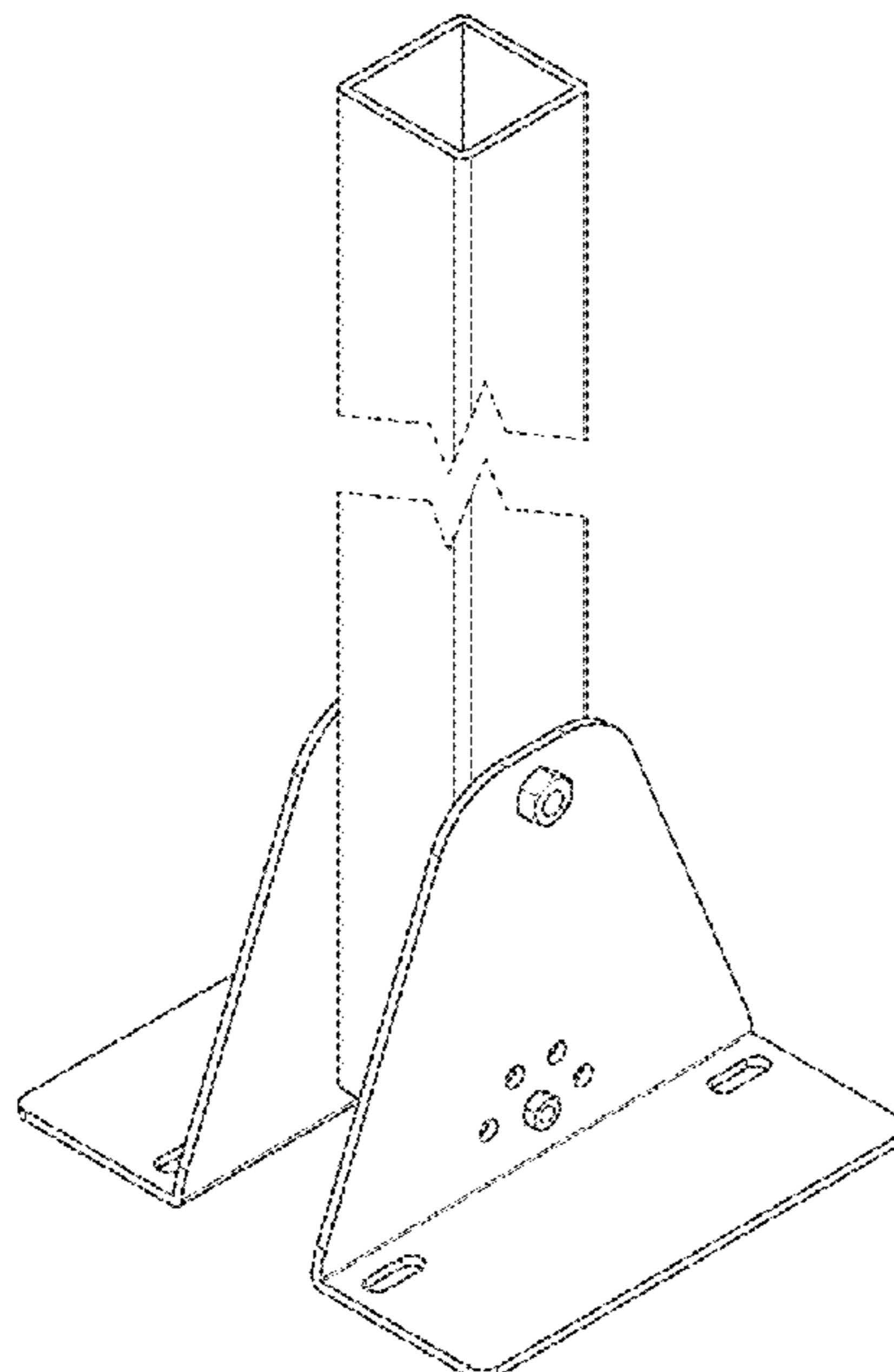
(57) **CLAIM**

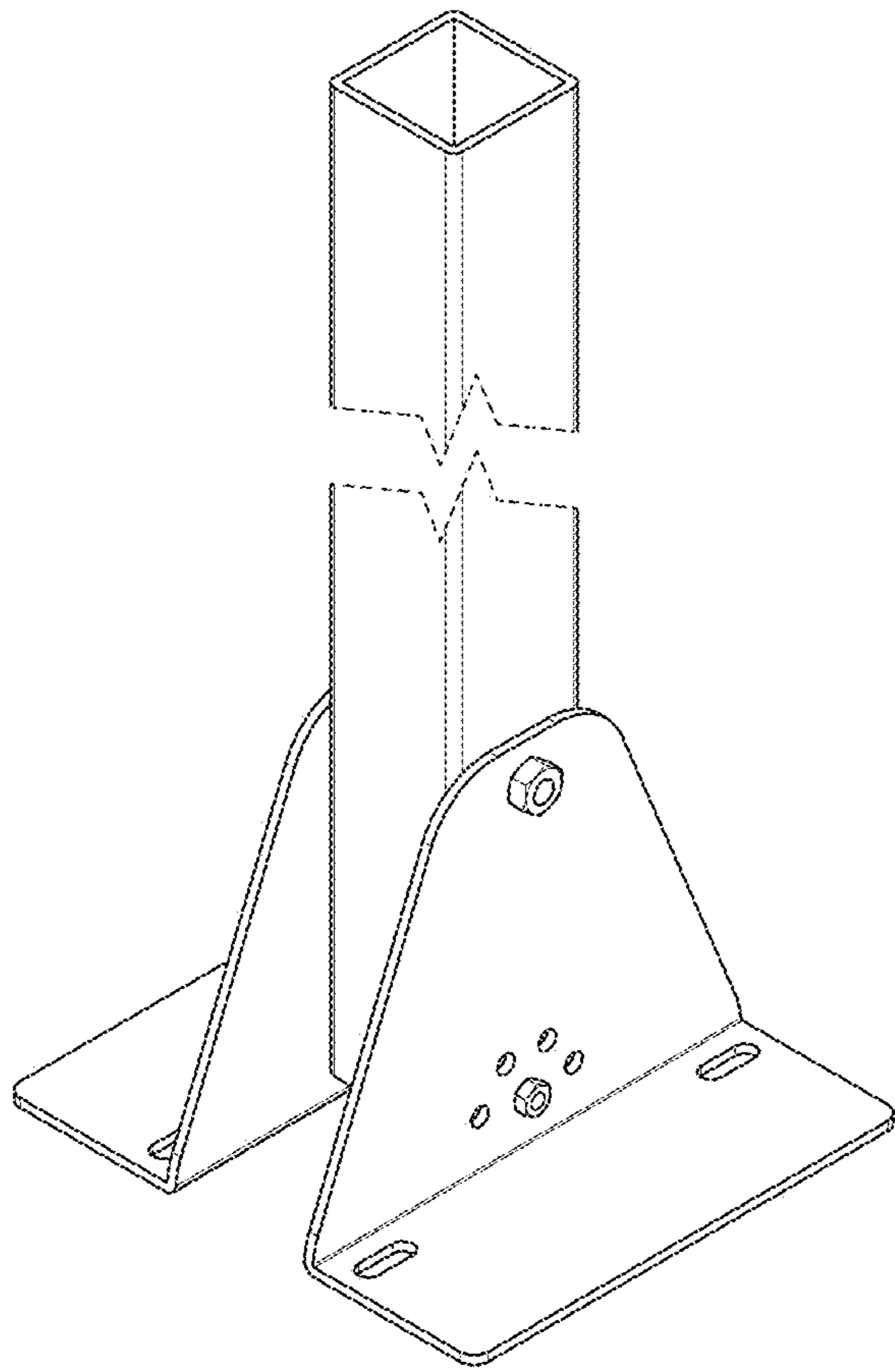
The ornamental design for a solar panel bracket, as shown and described.

**DESCRIPTION**

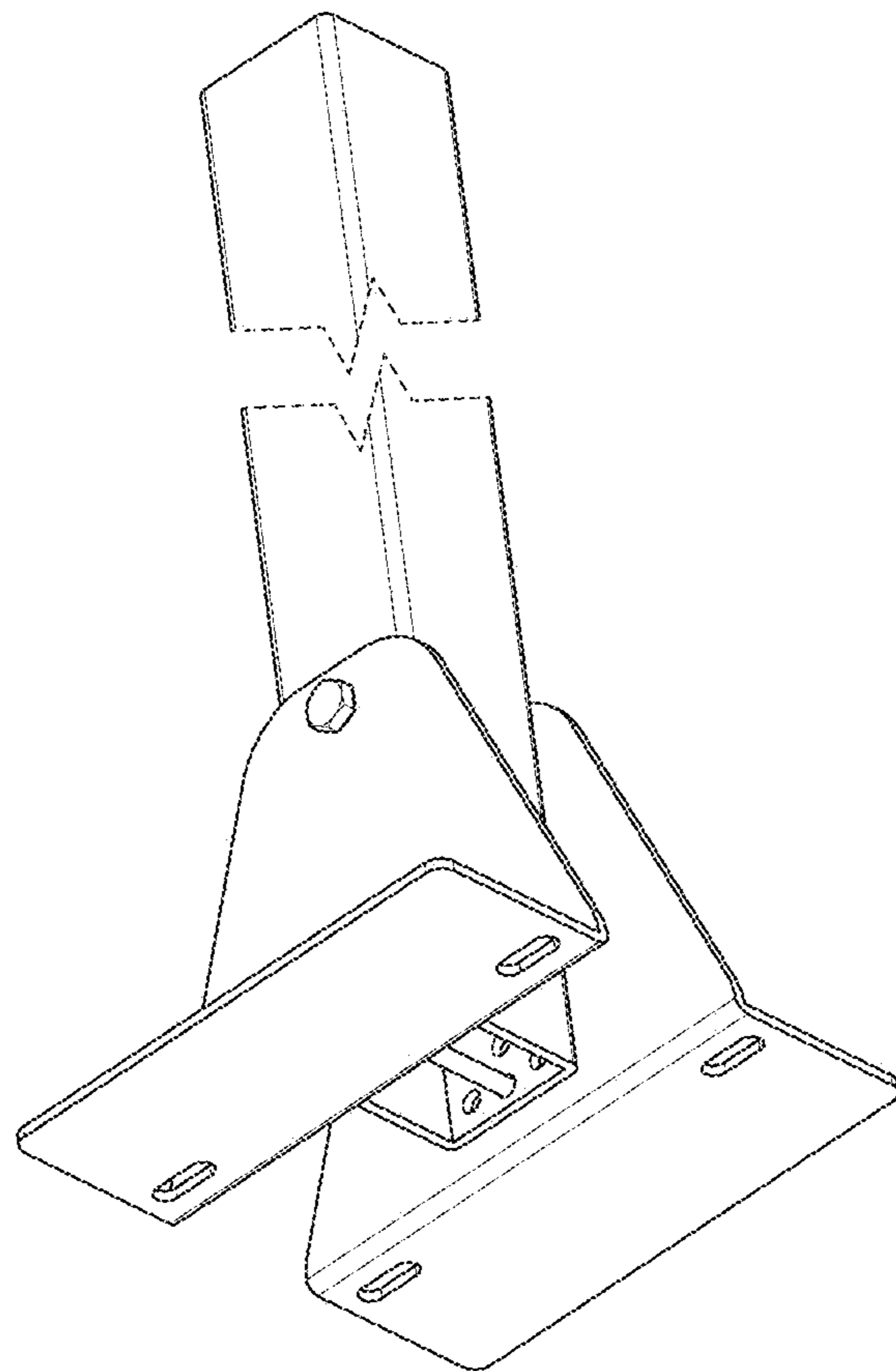
FIG. 1 is a top perspective view of a solar panel bracket showing my design;  
 FIG. 2 is a bottom perspective view thereof;  
 FIG. 3 is a top plan view thereof;  
 FIG. 4 is a front elevational view thereof;  
 FIG. 5 is a left, side elevational view thereof, the right, side elevational view is identical;  
 FIG. 6 is a side elevational view of the solar panel bracket showing a post of the solar panel bracket secured in an alternative position from the position of the post shown in FIG. 5; and,  
 FIG. 7 is a side elevational view of the solar panel bracket showing the post of the solar panel bracket secured in an alternative position from the position of the post shown in FIGS. 5 and 6.  
 The broken lines in the drawings are included for the purposes of illustrating subject matter that forms no part of the claimed design. The bottom is flat and unornamented. The drawings contain a symbolic break. The portion between the break lines forms no part of the claimed design.

**1 Claim, 3 Drawing Sheets**

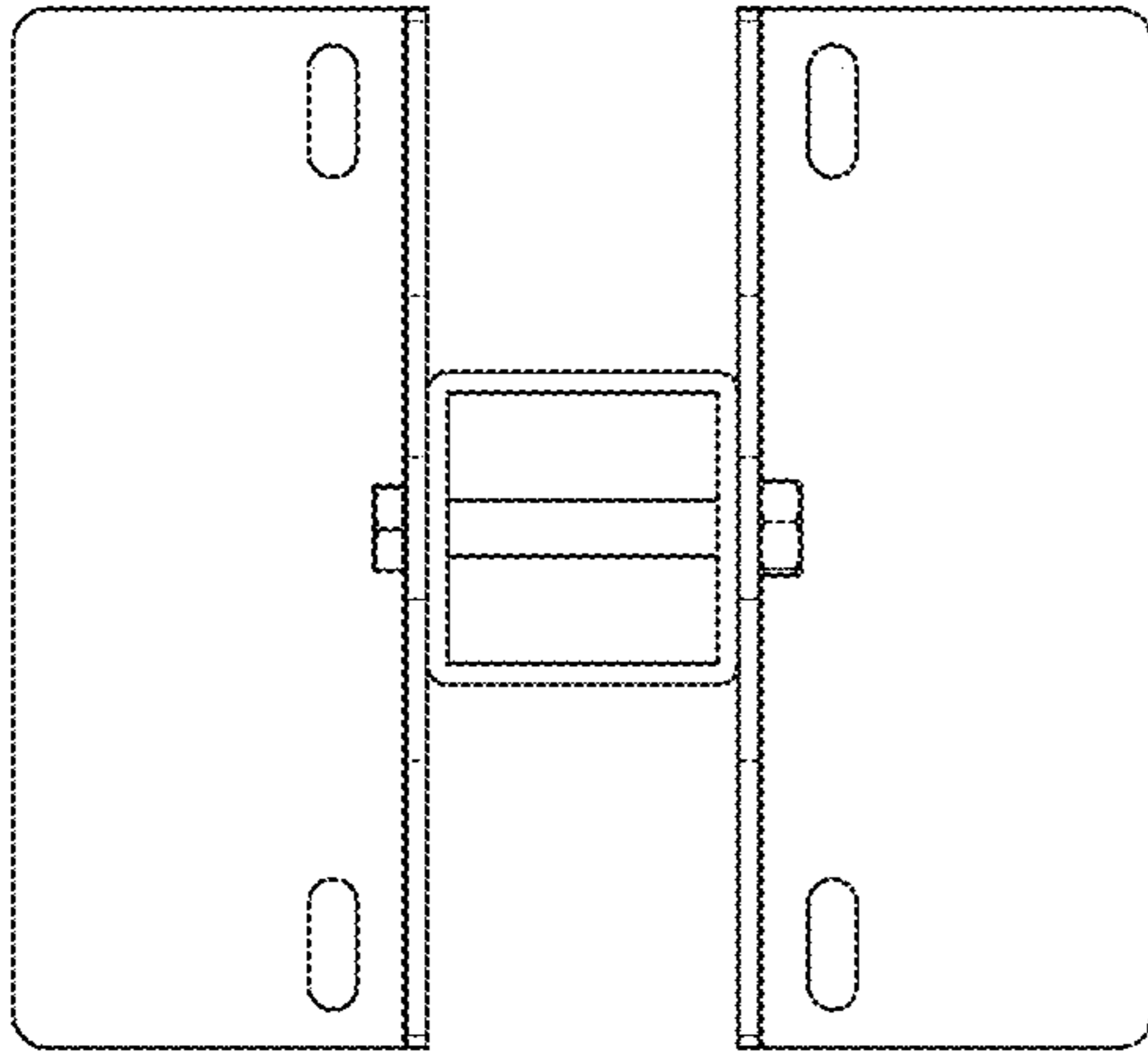




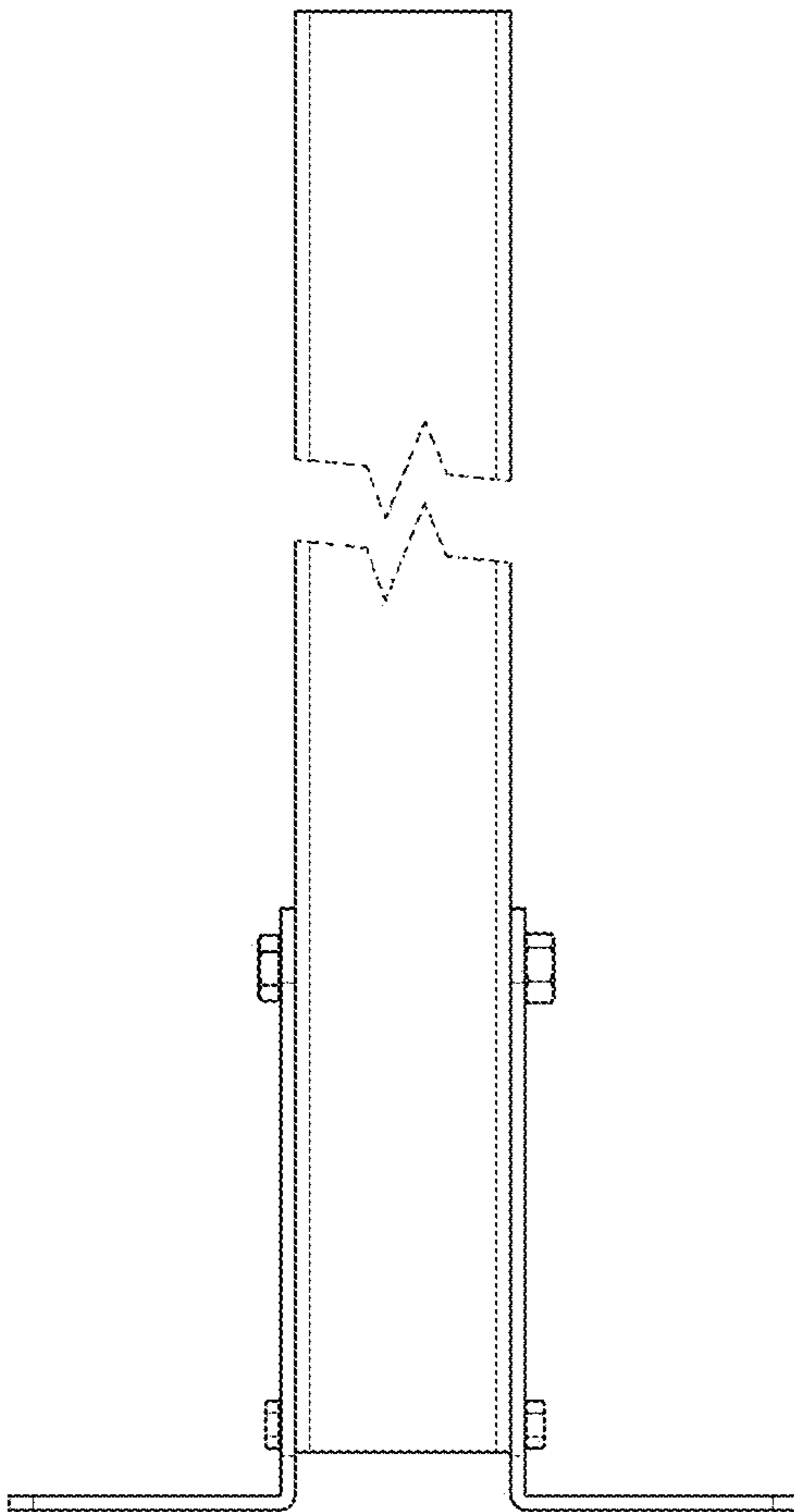
**Fig. 1**



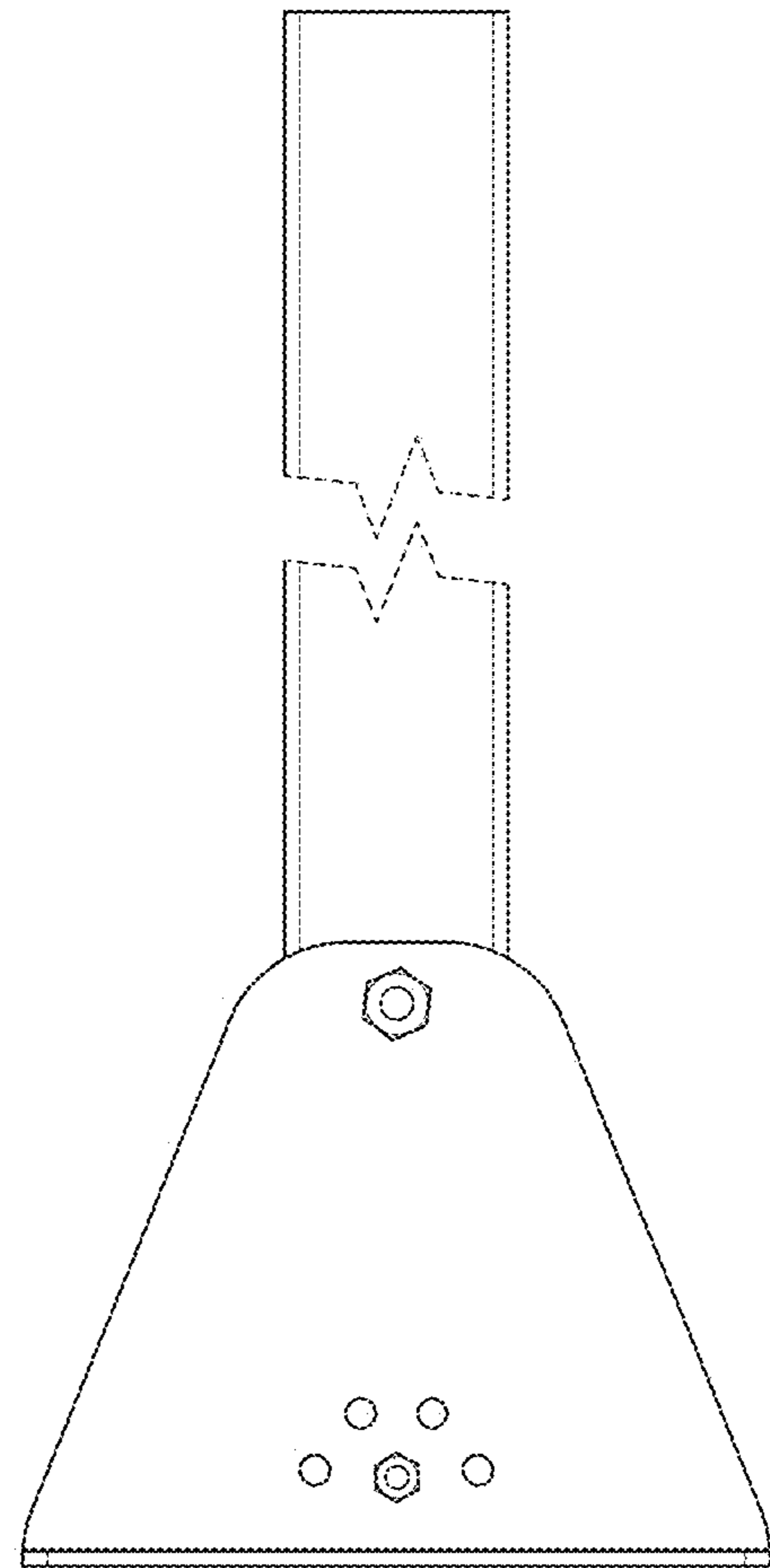
**Fig. 2**



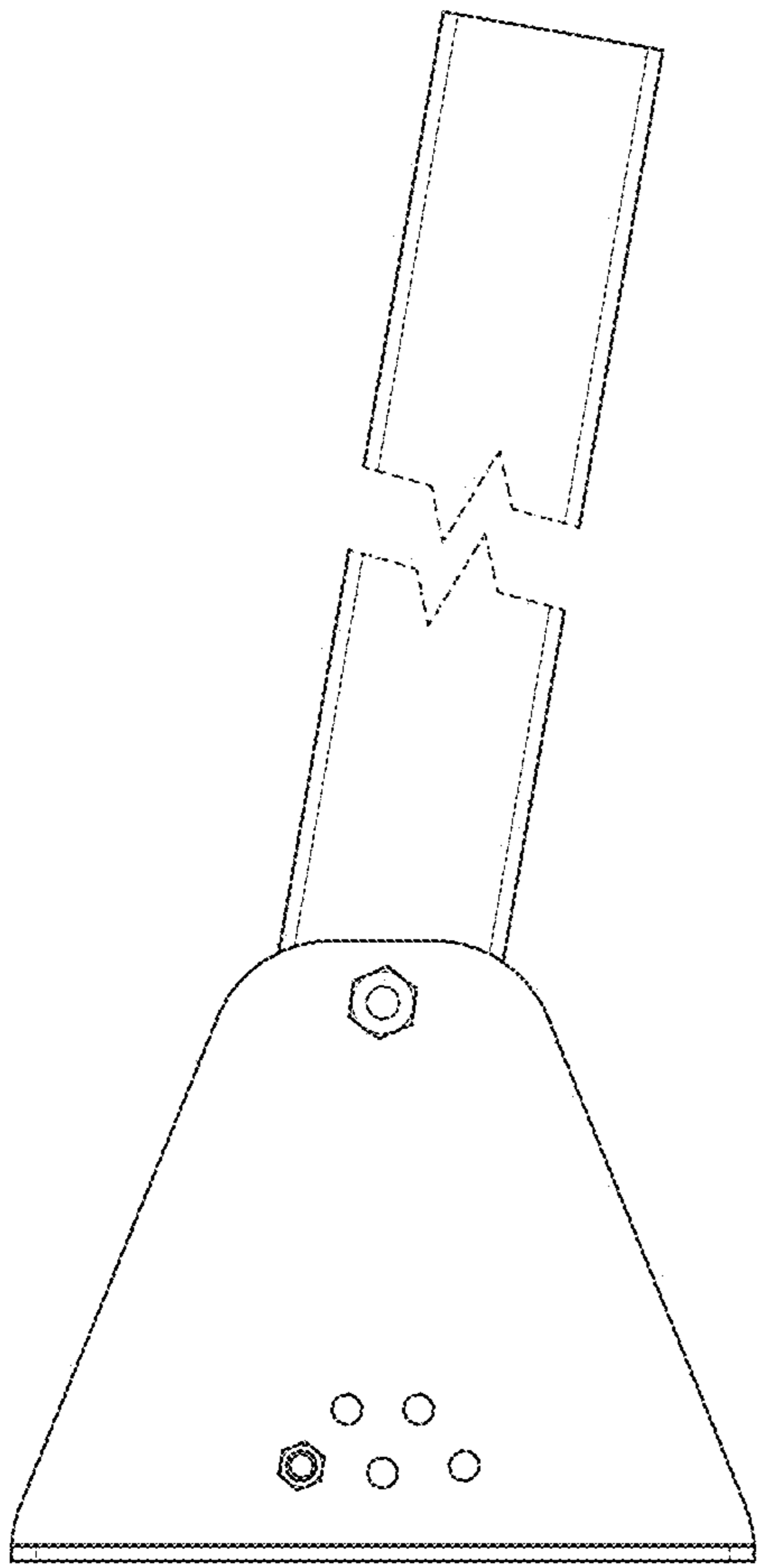
**Fig. 3**



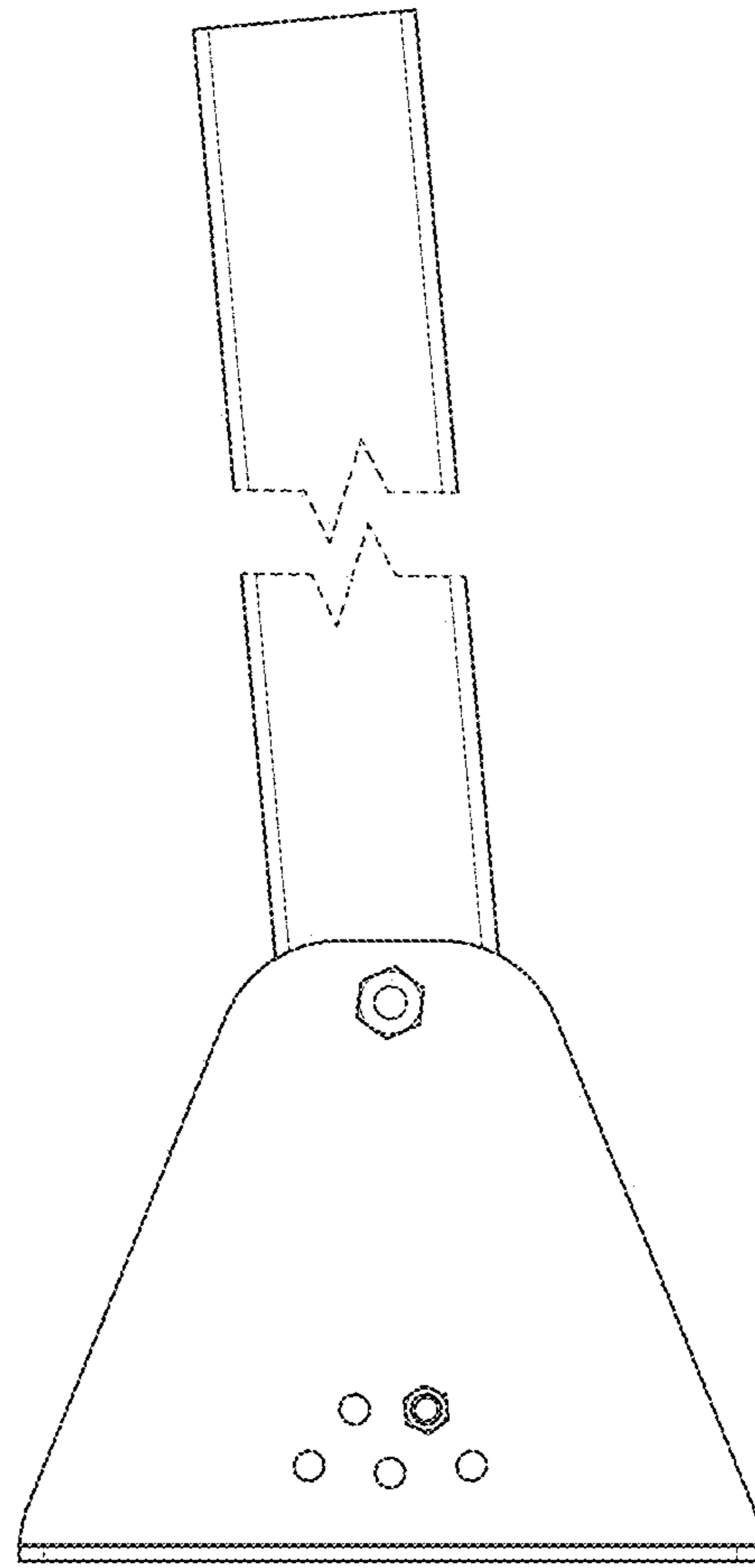
**Fig. 4**



**Fig. 5**



**Fig. 6**



**Fig. 7**