

US00D962843S

(12) **United States Design Patent**  
**Matsushita**

(10) **Patent No.:** **US D962,843 S**

(45) **Date of Patent:** **\*\* Sep. 6, 2022**

(54) **AUTOMOBILE TIRE**

(71) Applicant: **THE YOKOHAMA RUBBER CO., LTD.**, Tokyo (JP)

(72) Inventor: **Kotaro Matsushita**, Hiratsuka (JP)

(73) Assignee: **THE YOKOHAMA RUBBER CO., LTD.**, Tokyo (JP)

(\*\*) Term: **15 Years**

(21) Appl. No.: **29/744,886**

(22) Filed: **Jul. 31, 2020**

(30) **Foreign Application Priority Data**

Dec. 16, 2019 (JP) ..... 2019-027812

(51) **LOC (13) Cl.** ..... **12-15**

(52) **U.S. Cl.**  
USPC ..... **D12/521**

(58) **Field of Classification Search**  
USPC ..... D12/500-532, 604  
CPC ..... Y10T 152/10027; B60C 1/0016; B60C 11/0306; B60C 11/0302; B60C 3/06; B60C 9/17

See application file for complete search history.

(56) **References Cited**

**U.S. PATENT DOCUMENTS**

D432,956 S	*	10/2000	Ricquet	.....	D12/521
D525,186 S	*	7/2006	Martin	.....	D12/521
D579,855 S	*	11/2008	Fontaine	.....	D12/521
D586,726 S	*	2/2009	Baumard	.....	D12/523

D655,239 S	*	3/2012	Zhao	.....	D12/521
D761,717 S	*	7/2016	Fu	.....	D12/521
D780,091 S	*	2/2017	Colletti	.....	D12/521
D792,323 S	*	7/2017	Colletti	.....	D12/604
D811,989 S	*	3/2018	Kim	.....	D12/521
D820,771 S	*	6/2018	Wongsariyanich	.....	D12/521
D823,233 S	*	7/2018	Fontaine	.....	D12/519
D845,876 S	*	4/2019	Youn	.....	D12/523
D880,408 S	*	4/2020	Davenport	.....	D12/588

\* cited by examiner

*Primary Examiner* — John A Voytek

(74) *Attorney, Agent, or Firm* — Banner & Witcoff, Ltd.

(57) **CLAIM**

The ornamental design for an automobile tire, as shown and described.

**DESCRIPTION**

FIG. 1 is a perspective view of an automobile tire showing my design;

FIG. 2 is a front view thereof;

FIG. 3 is a rear view thereof;

FIG. 4 is a right side view thereof;

FIG. 5 is a left side view thereof;

FIG. 6 is a top view thereof;

FIG. 7 is a bottom view thereof;

FIG. 8 is a partially enlarged view of a portion defined by lines 8-8 shown in FIG. 1;

FIG. 9 is a partially enlarged view of a portion defined by lines 9-9 shown in FIG. 2; and,

FIG. 10 is a cross sectional view of a portion defined by lines 10-10 shown in FIG. 9.

In the drawings, the broken lines depict environmental subject matter only and form no part of the claimed design.

**1 Claim, 10 Drawing Sheets**

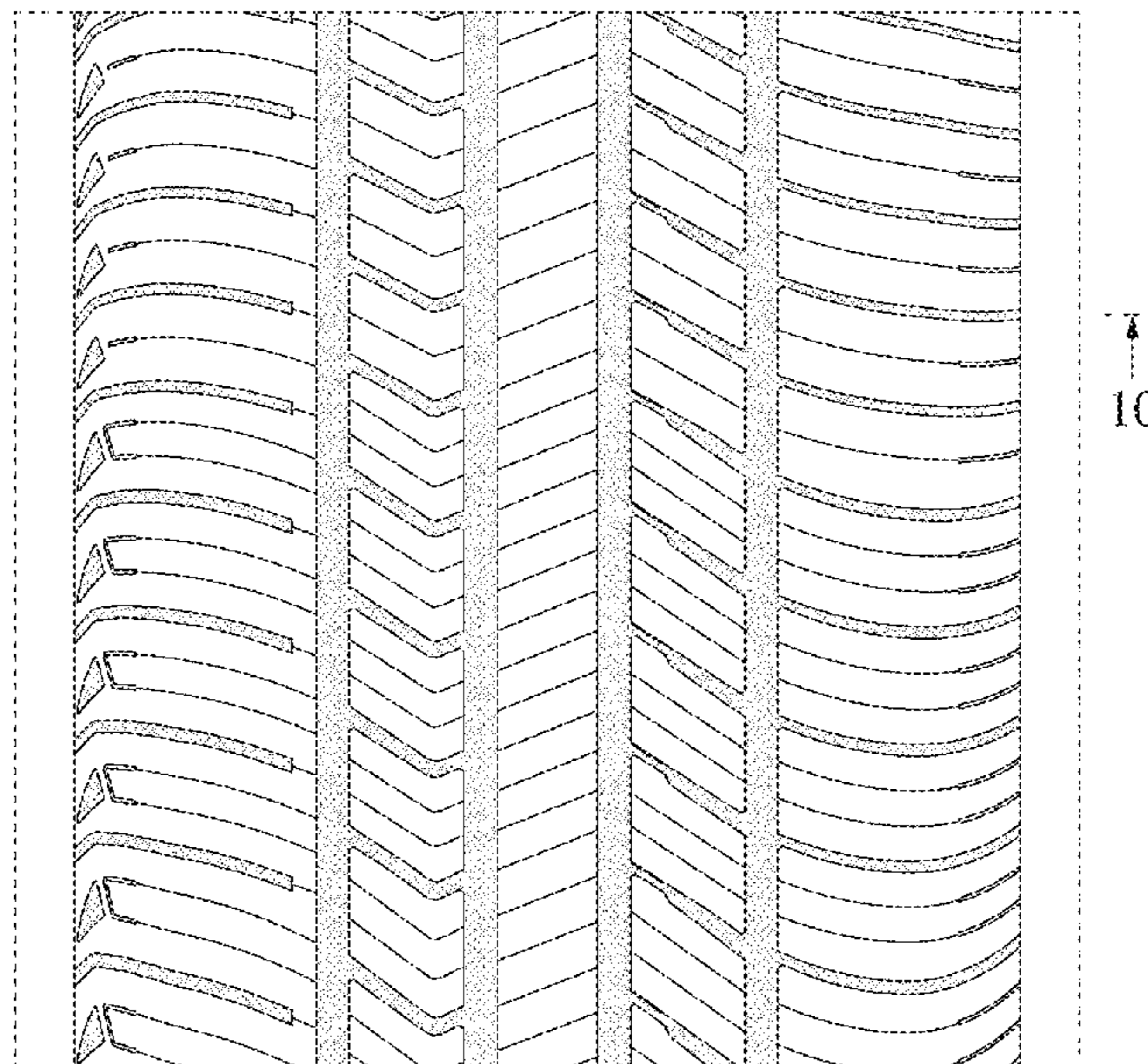
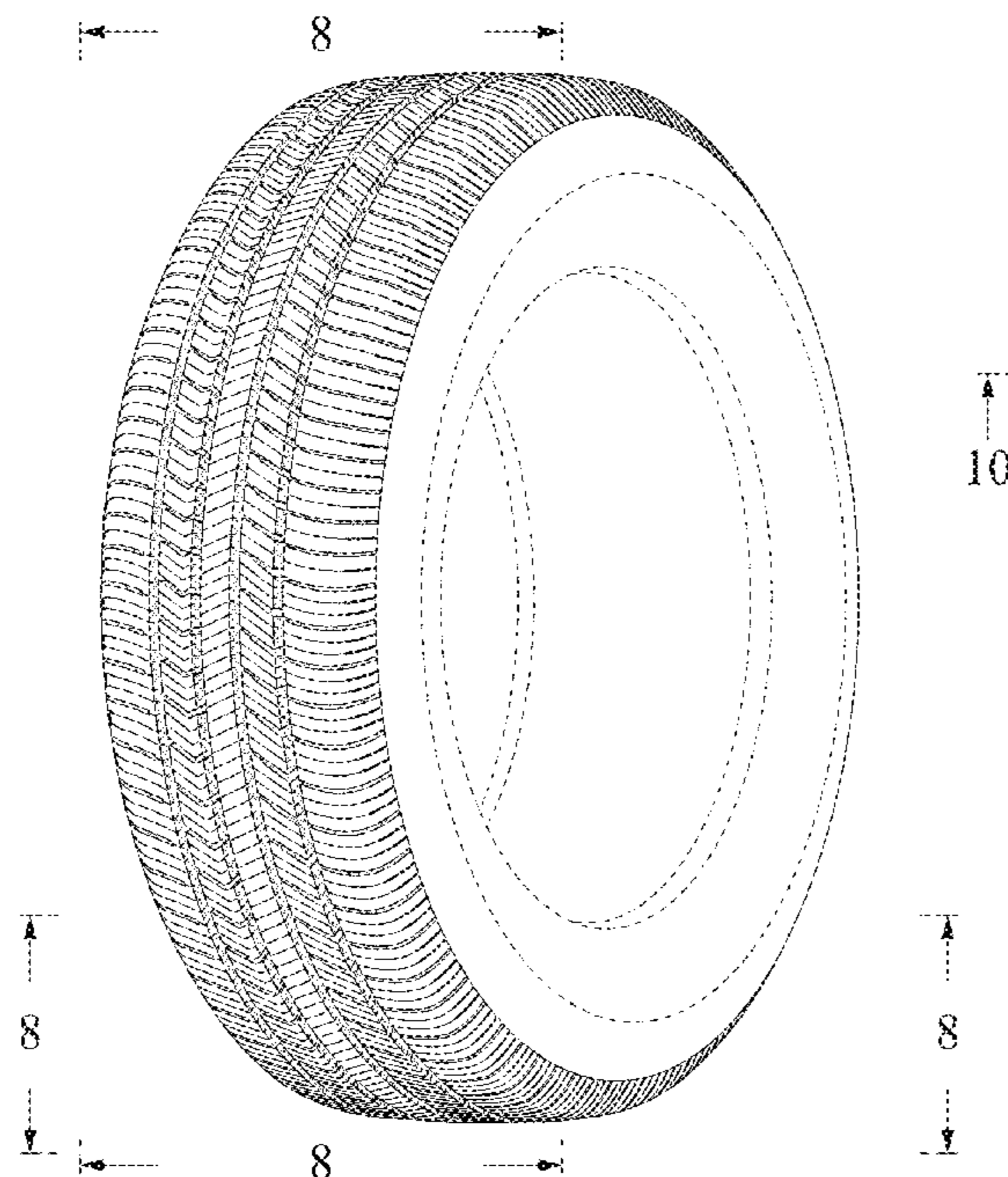


FIG. 1

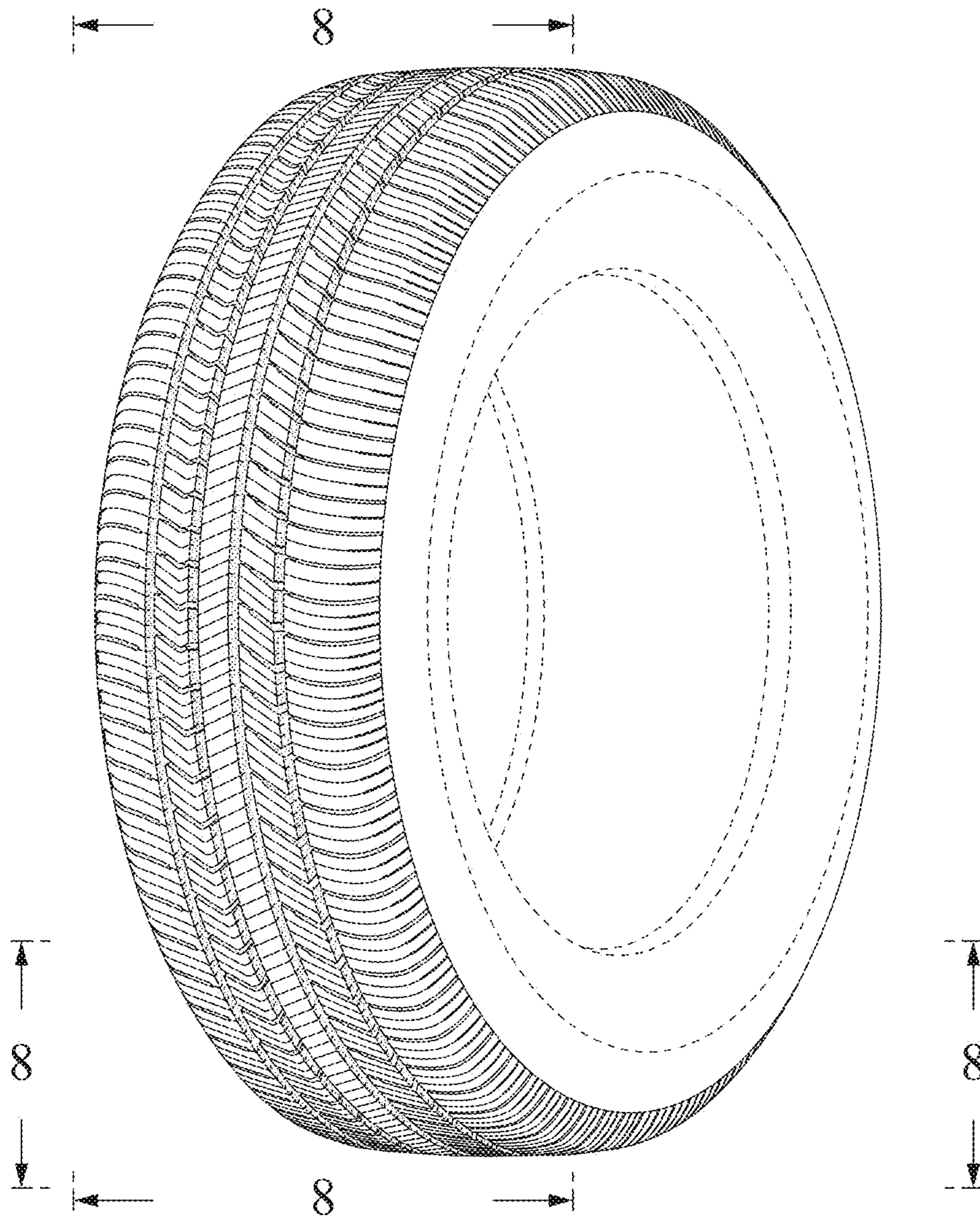
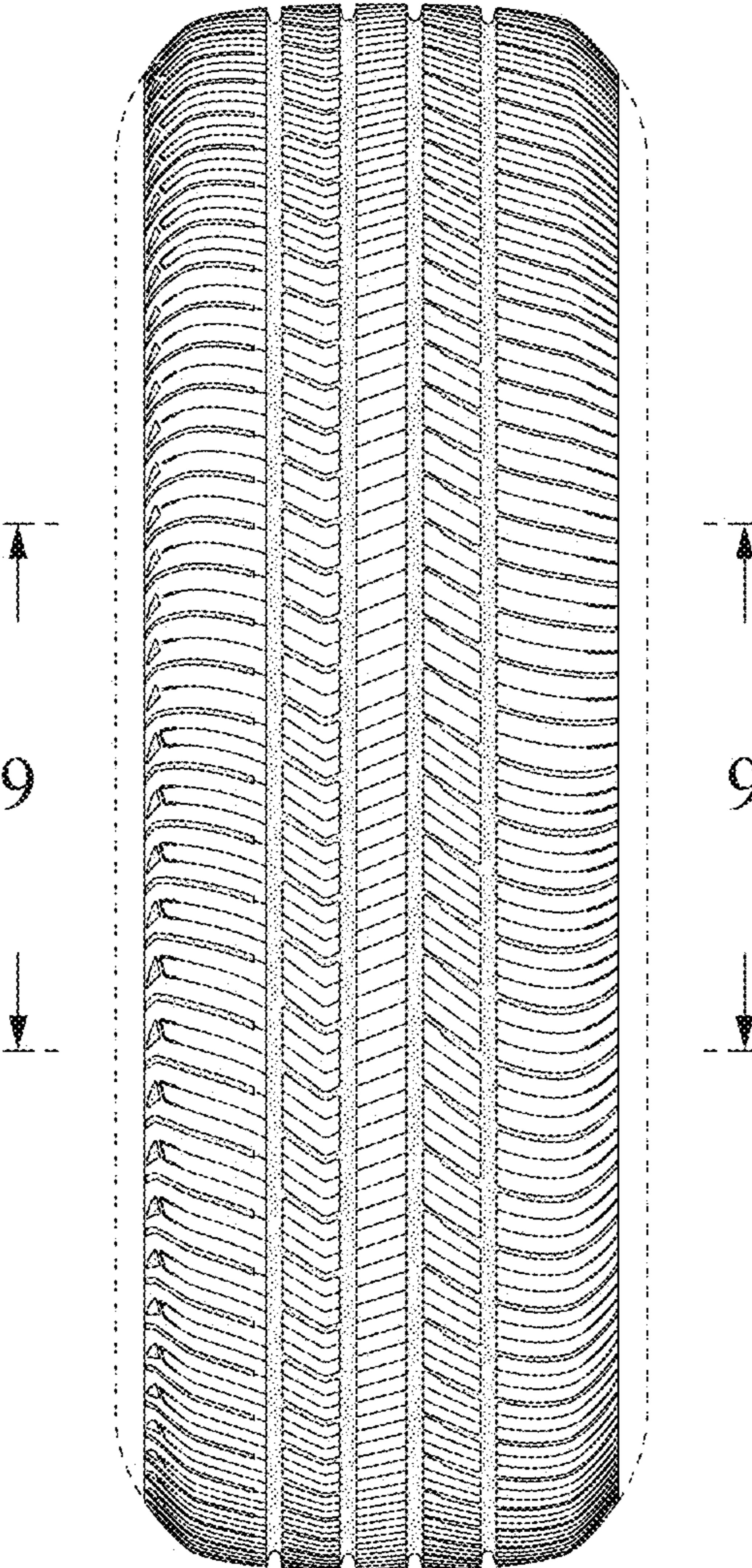
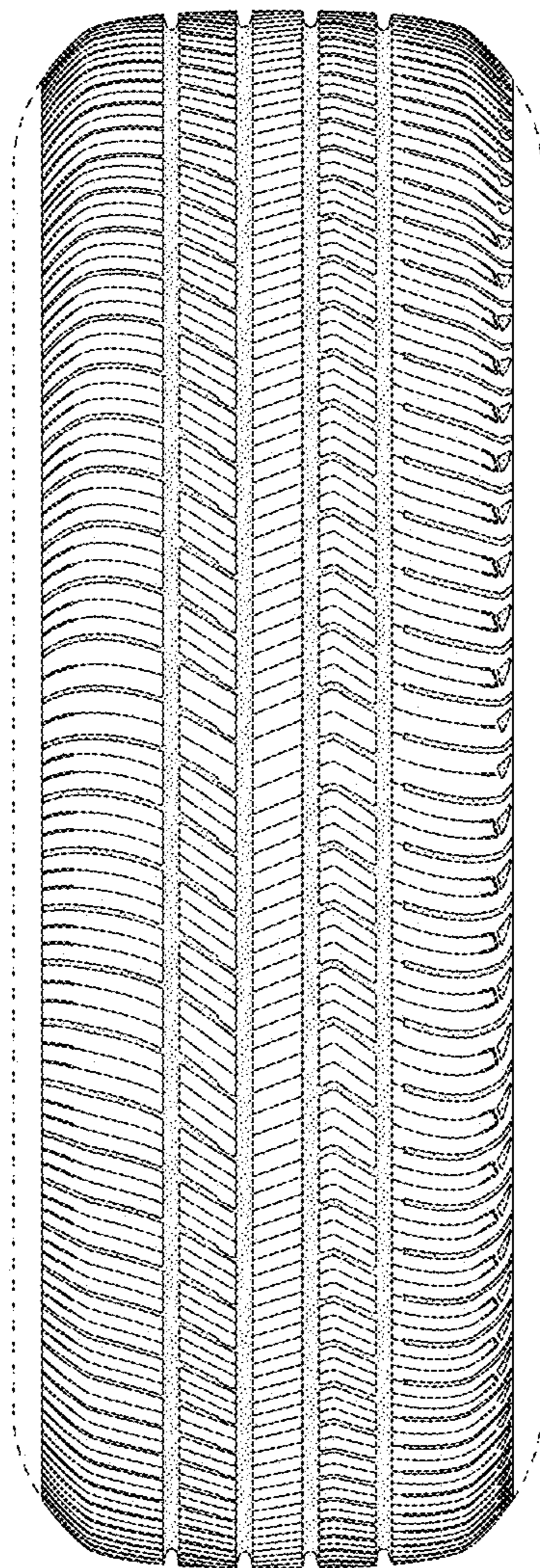


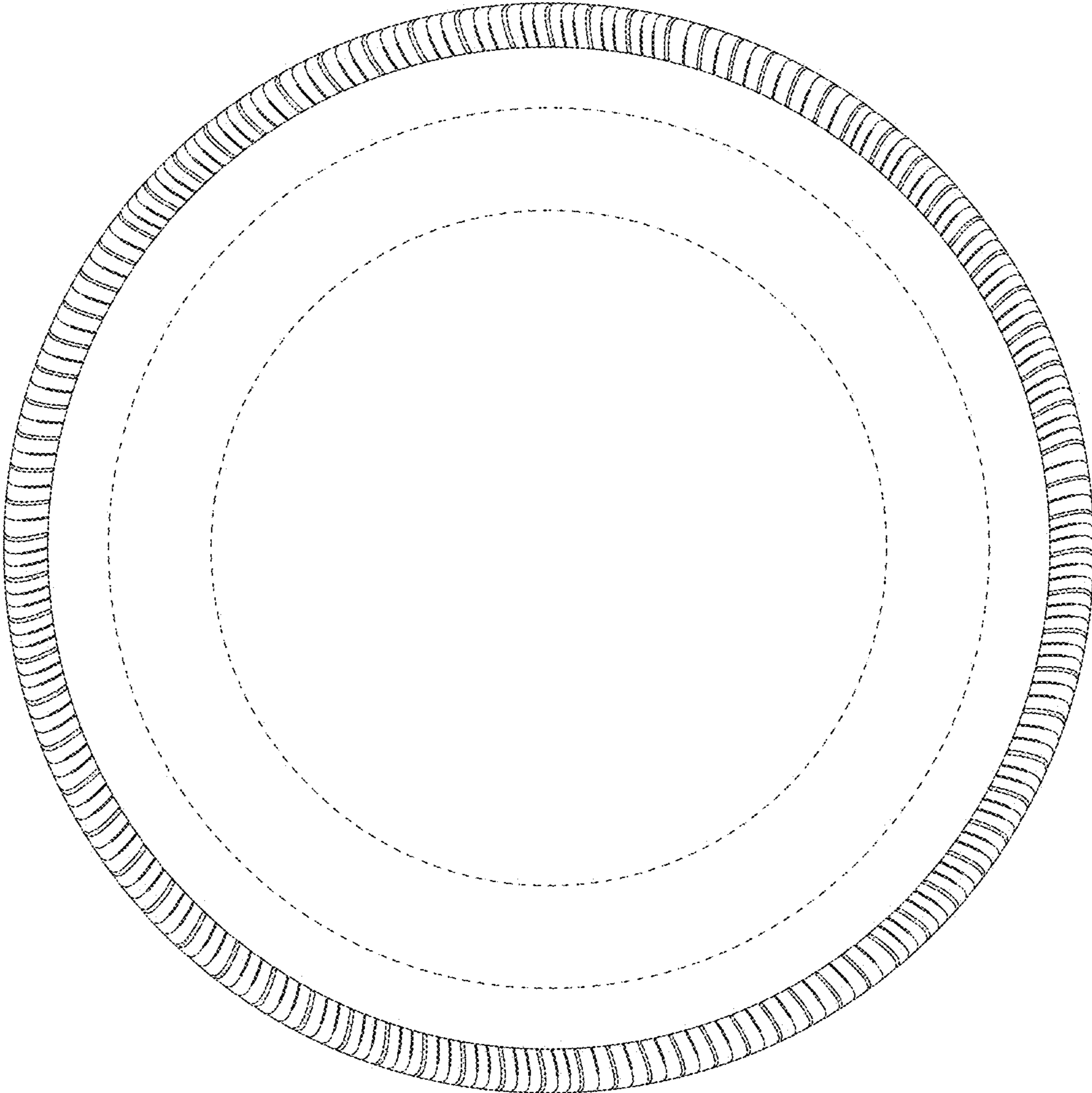
FIG. 2



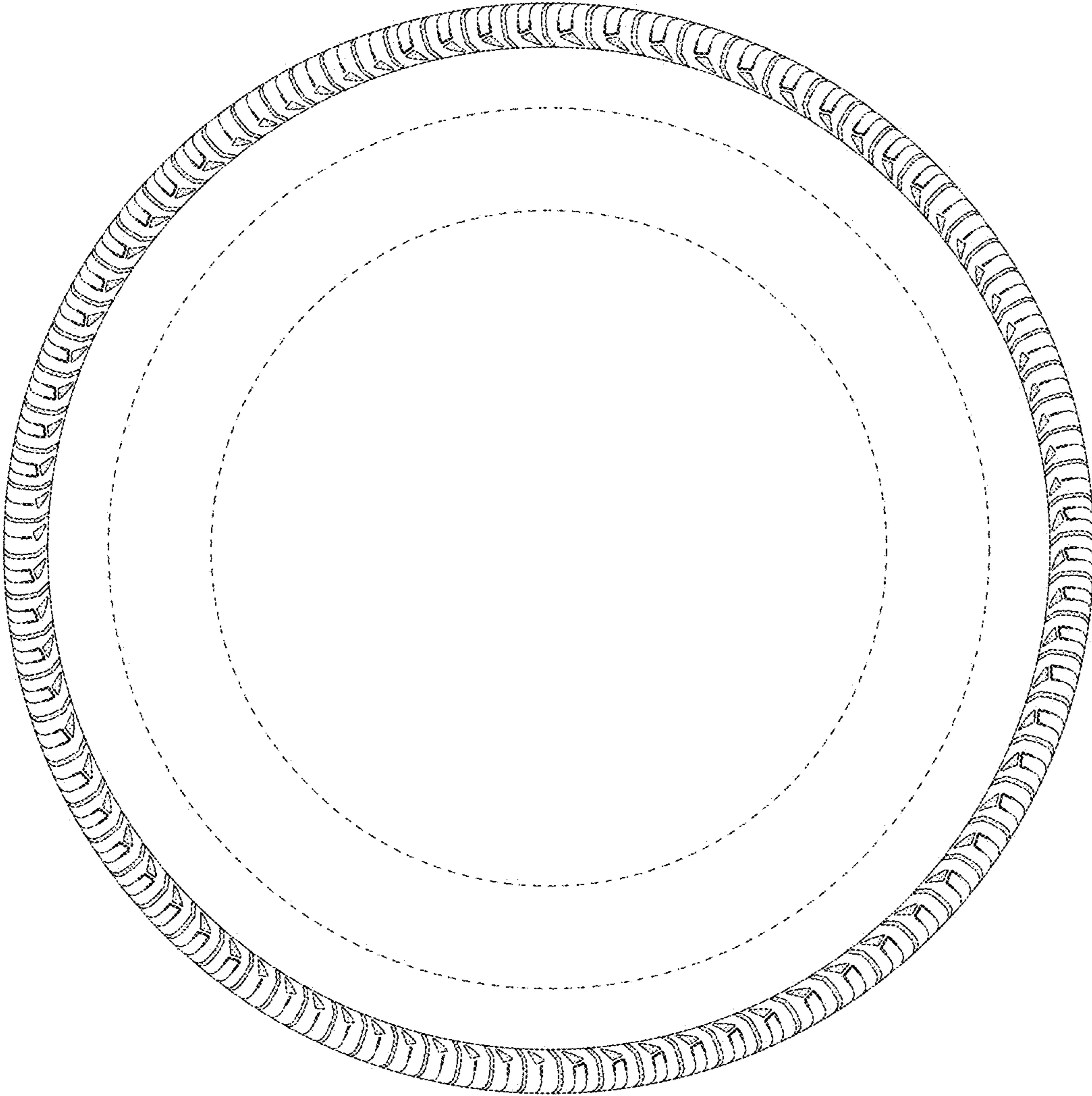
**FIG. 3**



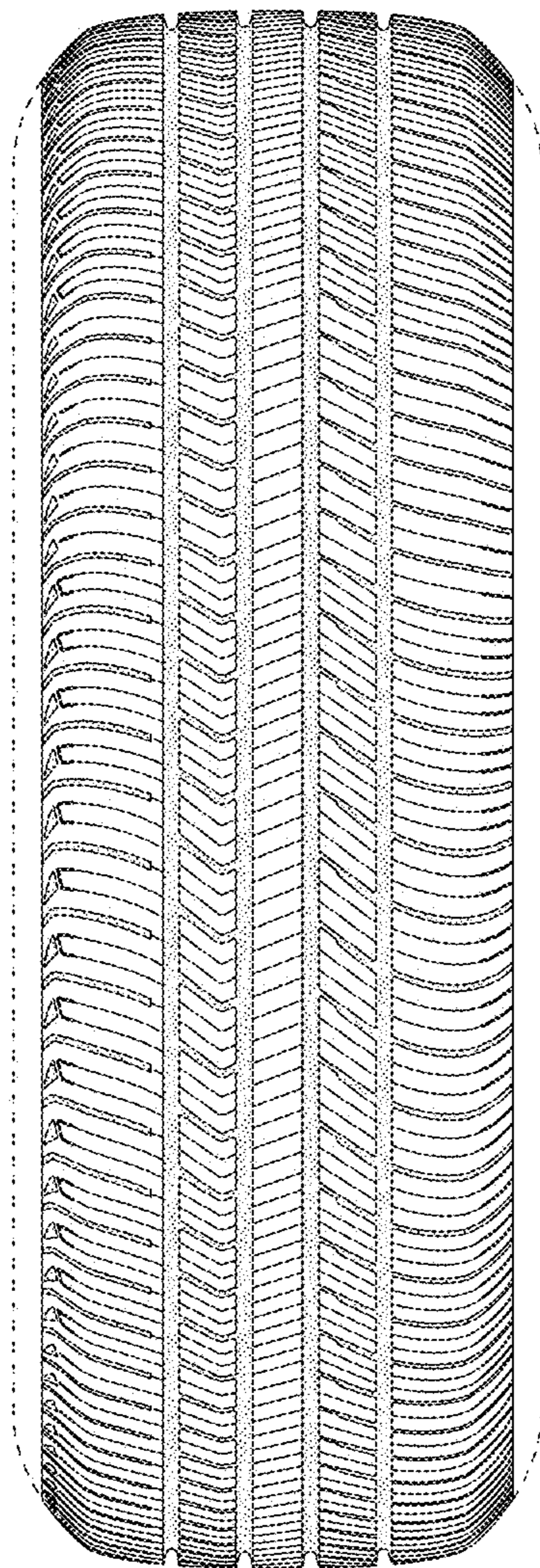
**FIG. 4**



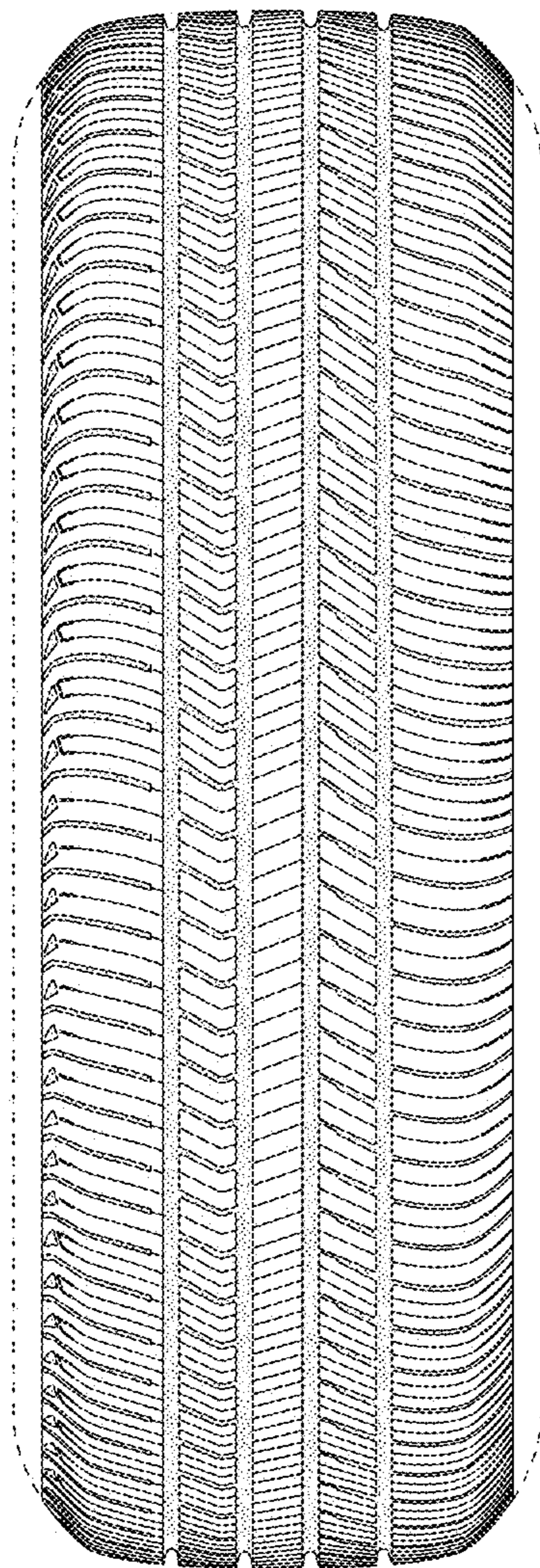
**FIG. 5**



**FIG. 6**



**FIG. 7**





**FIG. 8**

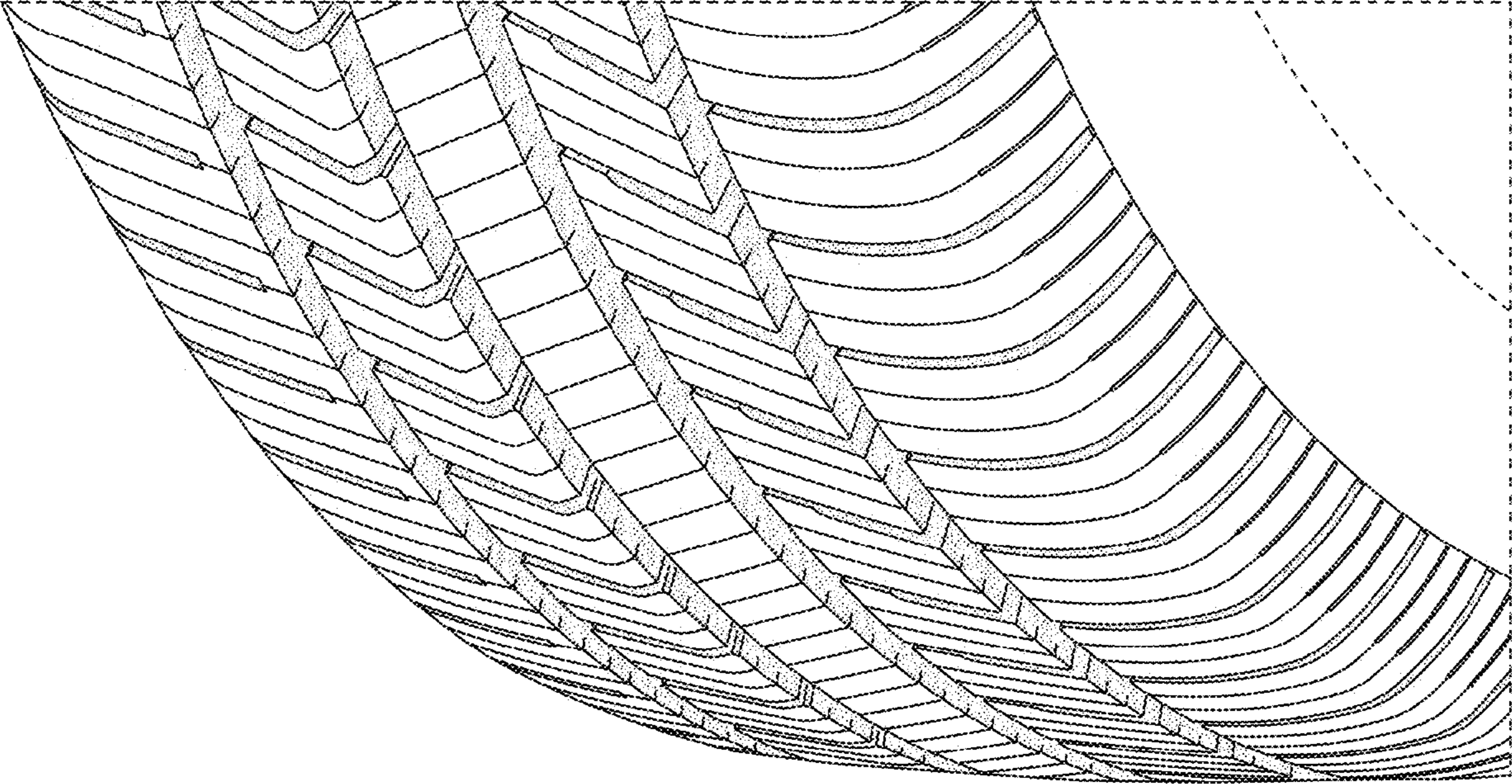
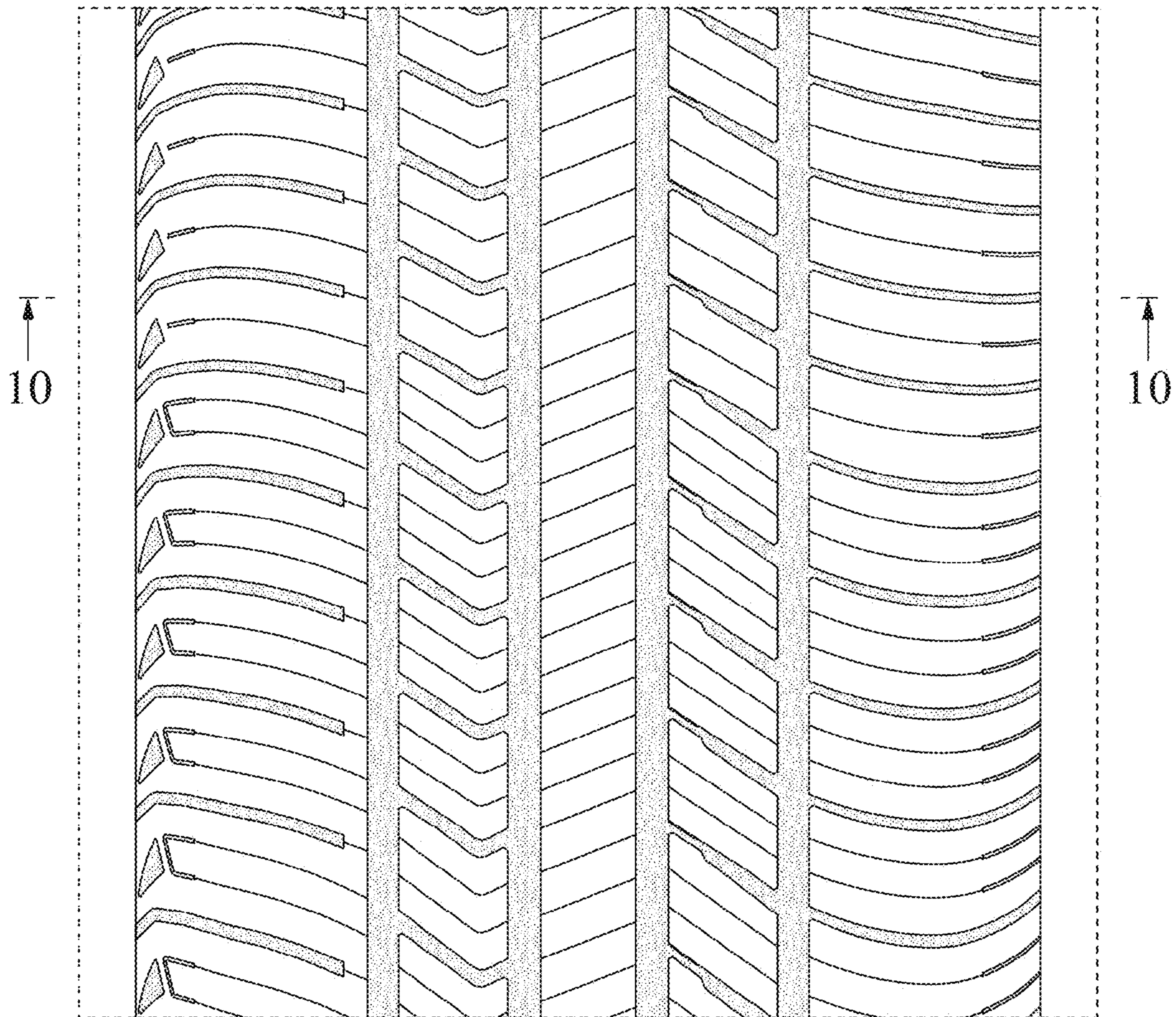


FIG. 9



**FIG. 10**

