

US00D962842S

(12) **United States Design Patent** (10) **Patent No.:** **US D962,842 S**
Abdelrahman et al. (45) **Date of Patent:** **** Sep. 6, 2022**

- (54) **VEHICLE PARTITION**
- (71) Applicant: **PHANTOM INC.**, Claymont, DE (US)
- (72) Inventors: **Mohamed E. Abdelrahman**,
Pittsburgh, PA (US); **Salahaldeen Ali**,
Fontana, CA (US)
- (73) Assignee: **PHANTOM INC.**, Claymont, DE (US)
- (**) Term: **15 Years**
- (21) Appl. No.: **29/754,245**
- (22) Filed: **Oct. 8, 2020**

- 9,499,271 B2 11/2016 Walton et al.
- D796,422 S * 9/2017 Hodges D12/426
- 9,937,889 B2 * 4/2018 Richter B60J 1/00
- D915,998 S * 4/2021 Guo D12/414
- D924,785 S * 7/2021 Mamo D12/426
- D948,402 S * 4/2022 Bayatyan D12/195
- D948,412 S * 4/2022 Lentine D12/426
- 2005/0194827 A1 9/2005 Dowty et al.

(Continued)

FOREIGN PATENT DOCUMENTS

- EP 0027483 A1 4/1981
- EP 0957006 A2 11/1999
- EP 1657121 A1 5/2006

OTHER PUBLICATIONS

Sneeze Guardian [online], [retrieved Dec. 15, 2020]. Retrieved from the Internet <URL: <https://sneezeguardian.com/>>.

(Continued)

Primary Examiner — Katrina A Betton
(74) *Attorney, Agent, or Firm* — Bryan Cave Leighton Paisner LLP

Related U.S. Application Data

- (63) Continuation of application No. 17/065,810, filed on Oct. 8, 2020, now Pat. No. 11,027,673.
- (51) **LOC (13) Cl.** **12-16**
- (52) **U.S. Cl.**
USPC **D12/426**
- (58) **Field of Classification Search**
USPC D12/426, 400, 406, 415–420, 424, 425
CPC B63B 7/085; B63B 25/00; B63B 17/00;
B60R 16/04
See application file for complete search history.

(57) **CLAIM**

The ornamental design for a vehicle partition, as shown and described.

(56) **References Cited**

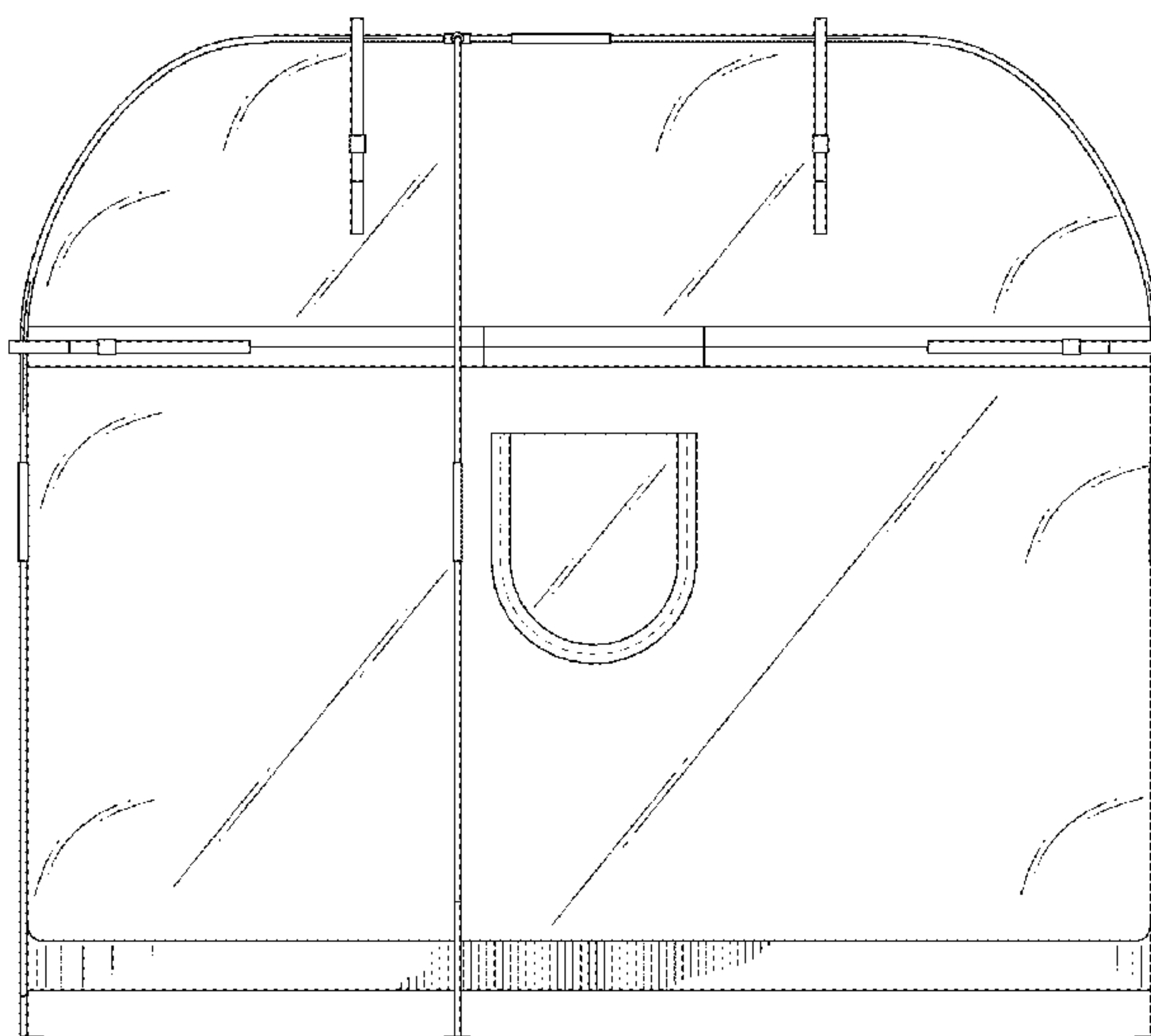
U.S. PATENT DOCUMENTS

- 2,998,279 A 8/1961 Mateny
- 4,938,401 A 7/1990 Weisbrodt et al.
- 4,938,518 A 7/1990 Willemsen
- 5,058,941 A 10/1991 Solomon et al.
- 5,382,068 A 1/1995 Simmons et al.
- 5,971,487 A 10/1999 Passehl
- 6,120,076 A 9/2000 Adsit et al.
- 7,322,626 B2 1/2008 Thomas
- D567,742 S * 4/2008 Spater D12/426
- 8,714,655 B2 5/2014 Cahall et al.
- 9,004,567 B2 * 4/2015 Gerhardt B60P 3/423
296/24.43
- D729,723 S * 5/2015 Reed D12/426

DESCRIPTION

FIG. 1 is a rear perspective view of the vehicle partition; FIG. 2 is a front perspective view of the vehicle partition; FIG. 3 is a rear view of the vehicle partition; FIG. 4 is a front view of the vehicle partition; FIG. 5 is a side view of the vehicle partition; FIG. 6 is an opposite side view of the vehicle partition; FIG. 7 is a top plan view of the vehicle partition; and, FIG. 8 is a bottom view of the vehicle partition.

1 Claim, 7 Drawing Sheets



(56)

References Cited

U.S. PATENT DOCUMENTS

2016/0250986 A1 9/2016 Kalis
2017/0106805 A1 4/2017 Davis
2017/0355338 A1* 12/2017 Paunov B60R 21/026

OTHER PUBLICATIONS

Rideshare Shields [online], [retrieved Dec. 15, 2020]. Retrieved from the Internet <URL: <https://www.amazon.com/Rideshare-Protective-Lightweight-Shatterproof-Polycarbonate/dp/B087ZQJY7R>>.

Compass Health Shield [online], [retrieved Dec. 15, 2020]. Retrieved from the Internet <URL: <https://www.compasshealthshield.com/auto-health-shield>>.

Axiom Print [online], [retrieved Dec. 15, 2020]. Retrieved from the Internet <URL: <https://axiomprint.com/product/ride-guard-542>>.

Quality Logo Products [online], [retrieved Dec. 14, 2020]. Retrieved from the Internet <URL: <https://www.qualitylogoproducts.com/protection-and-shields/vehicle-sneeze-guard.htm>>.

D&S Automotive [online], [retrieved Dec. 15, 2020]. Retrieved from the Internet <URL: <https://www.ds-automotive.com/coronavirus-update/>>.

* cited by examiner

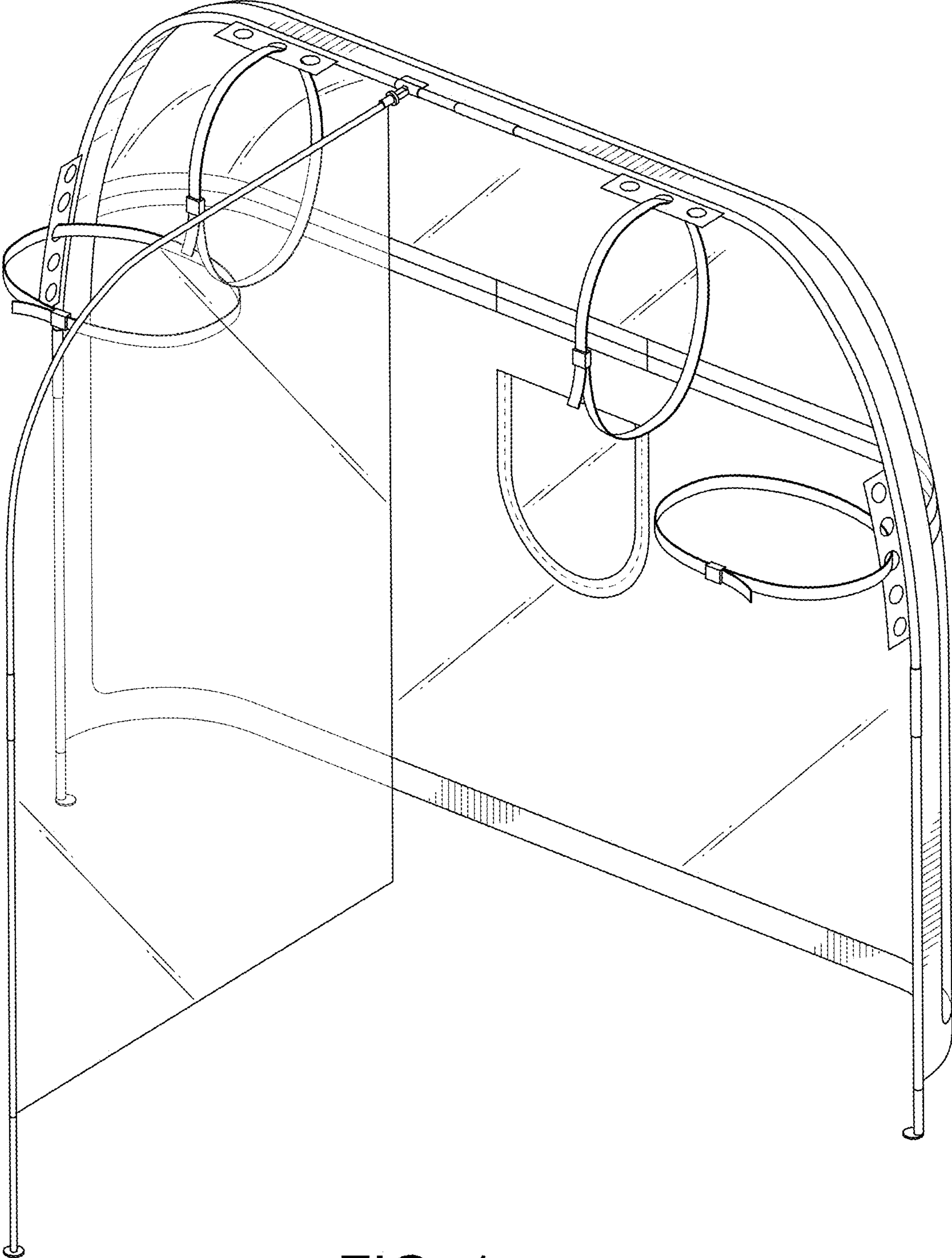


FIG. 1

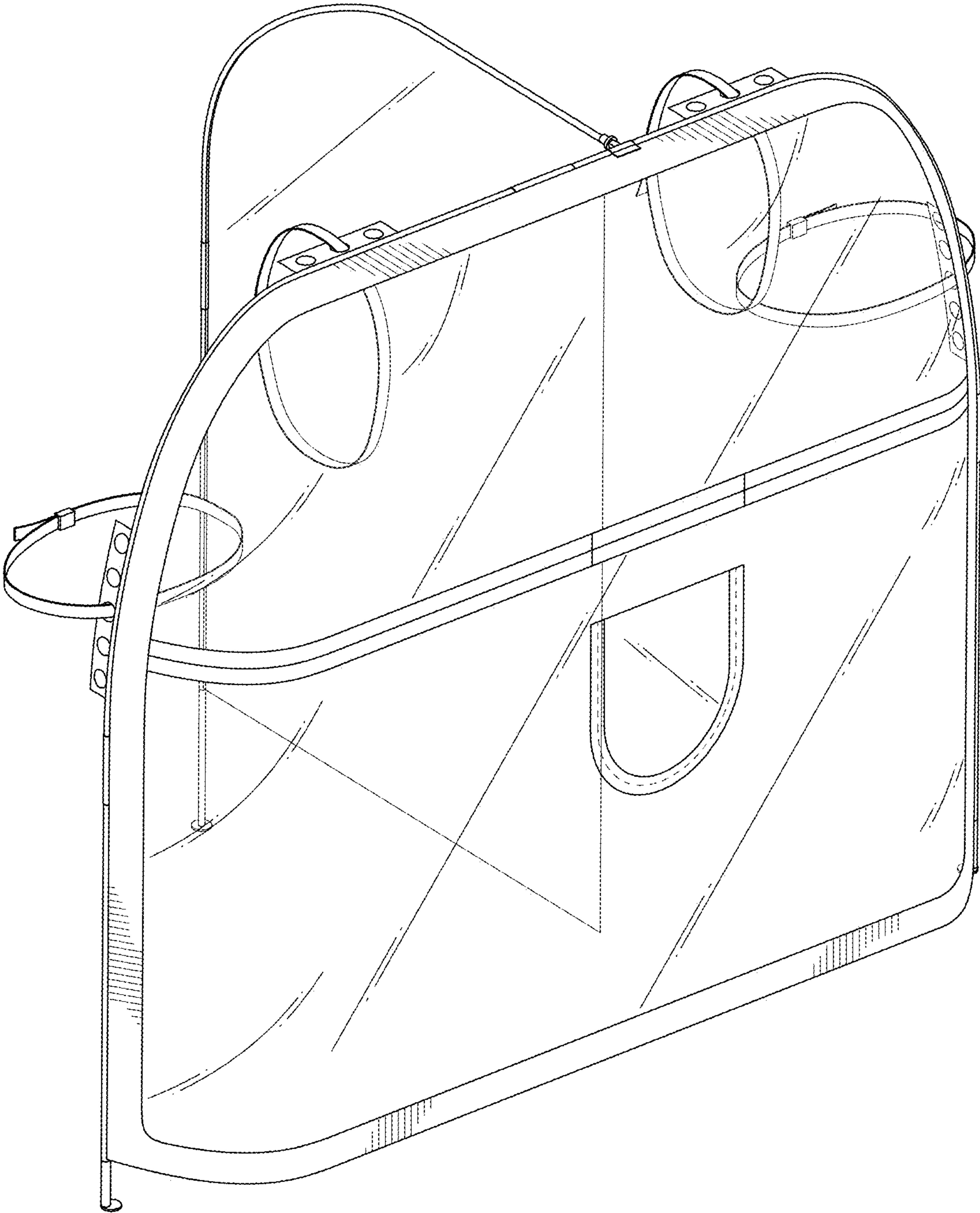


FIG. 2

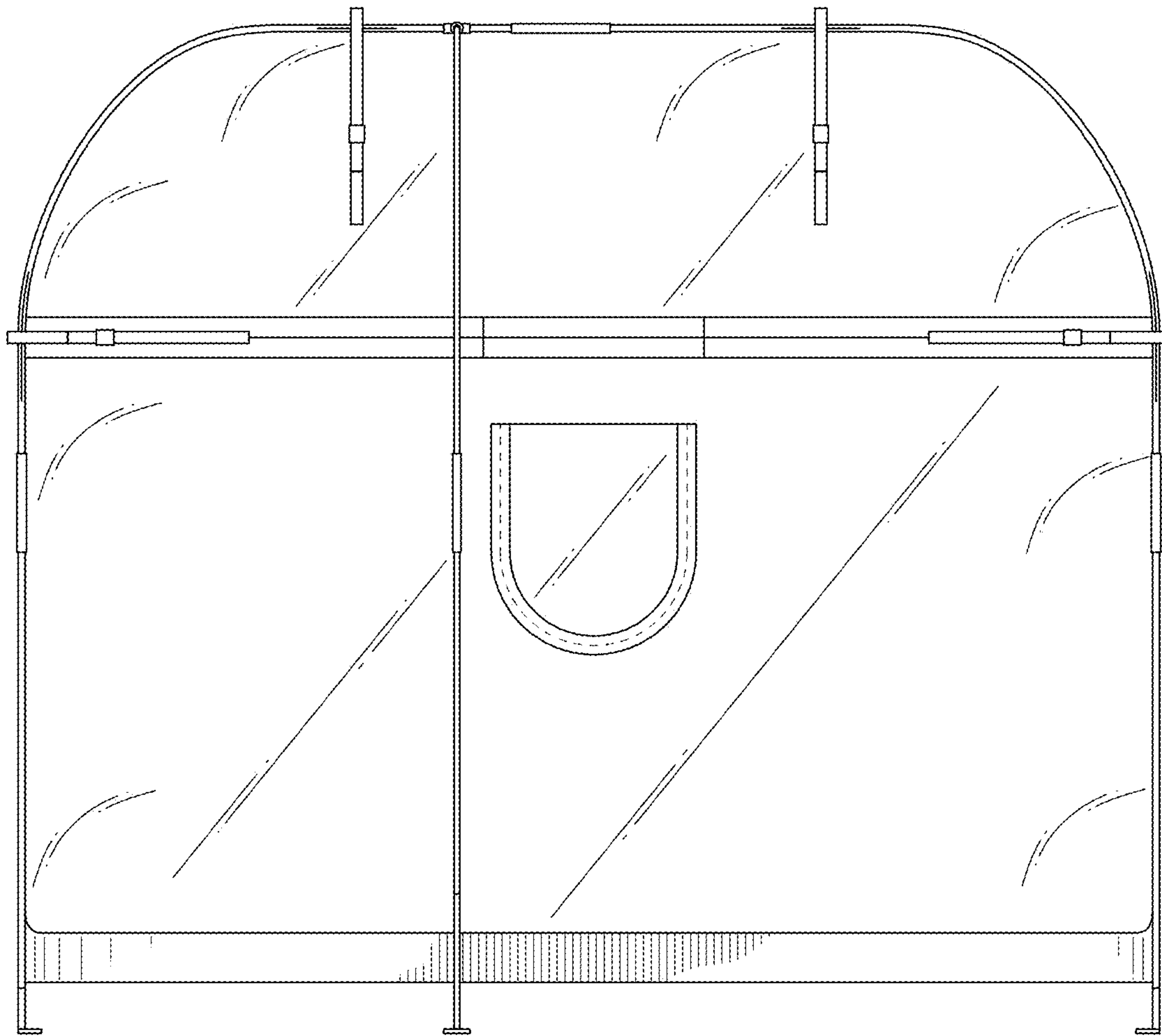


FIG. 3

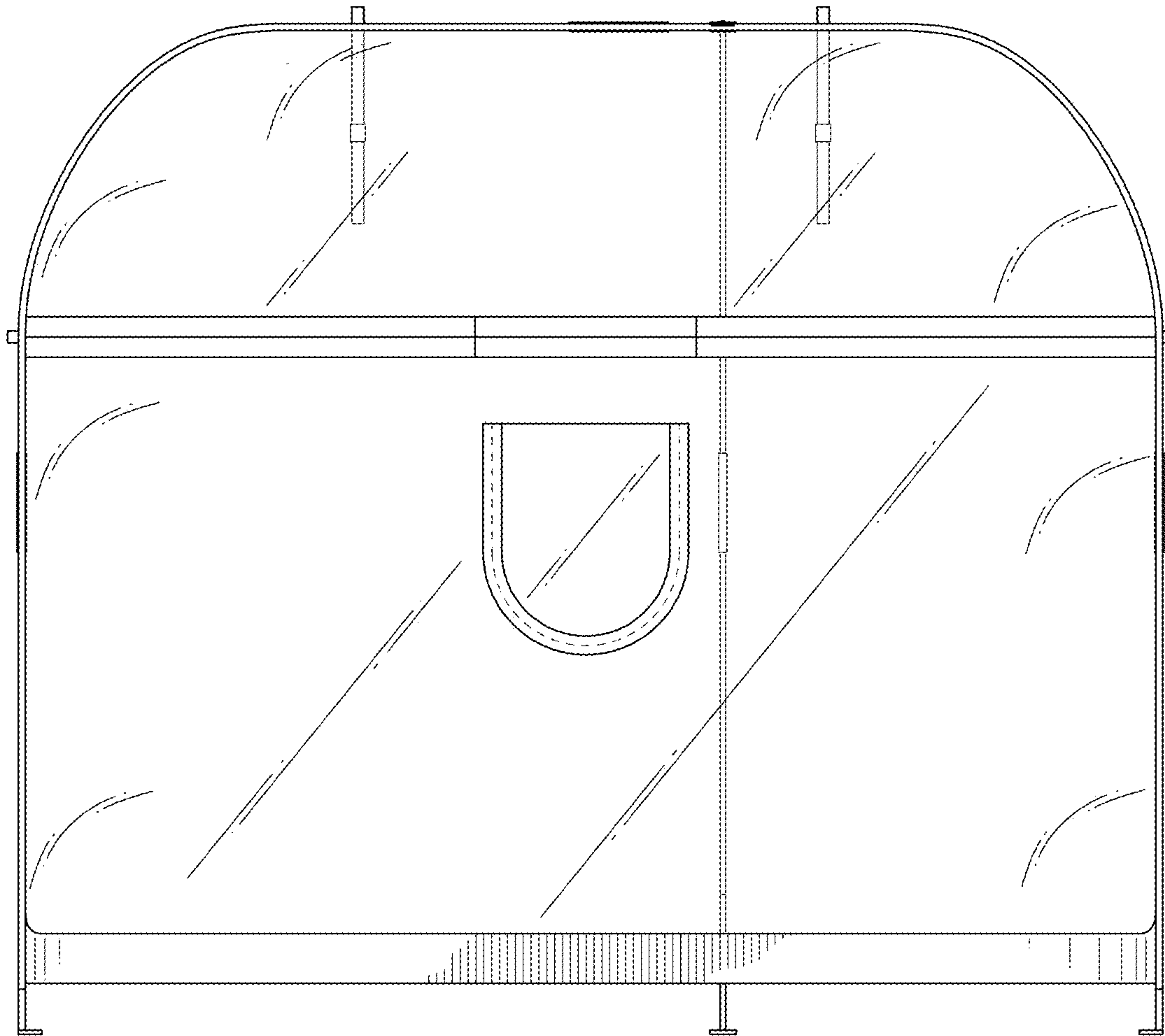


FIG. 4

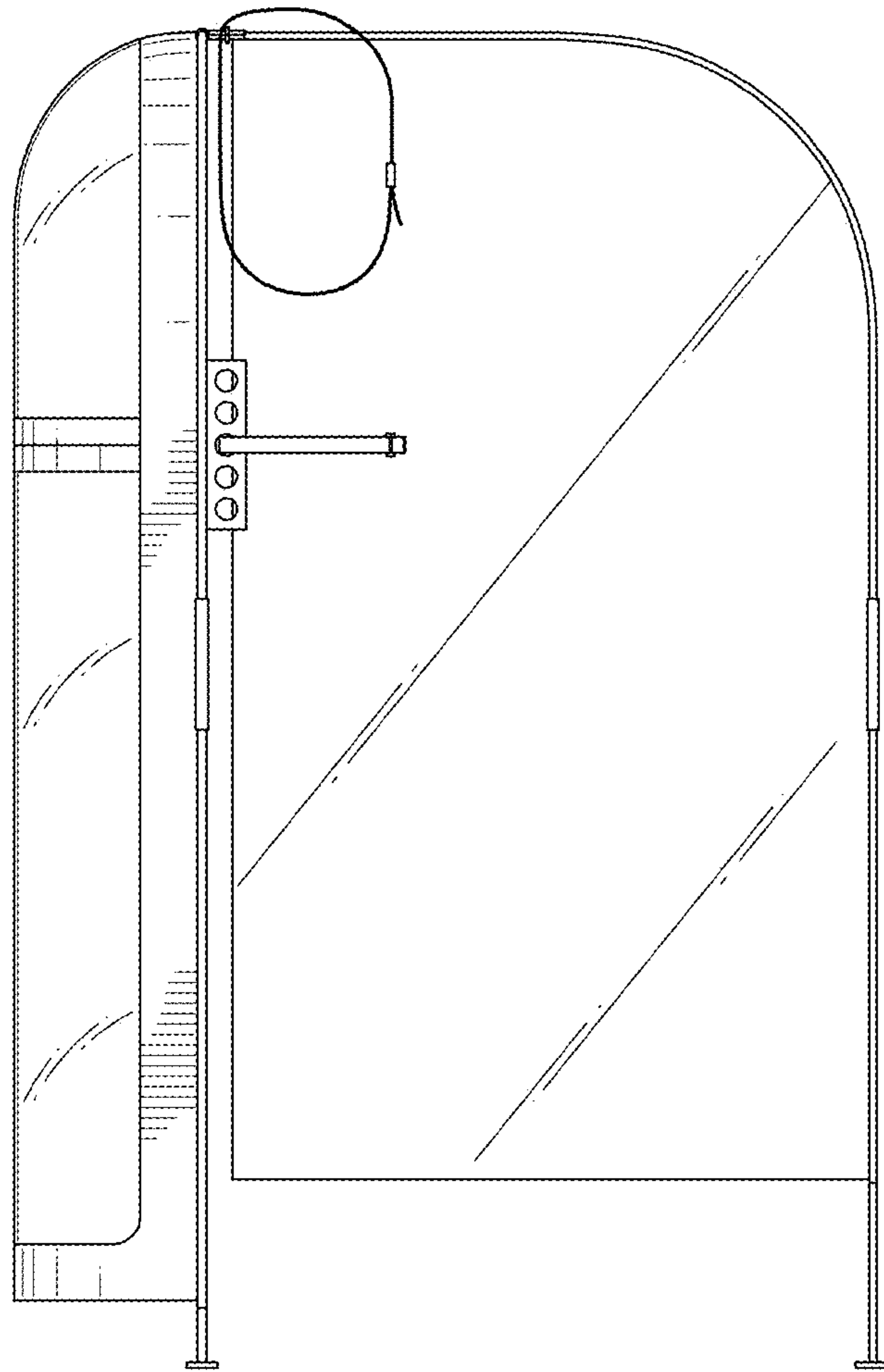


FIG. 5

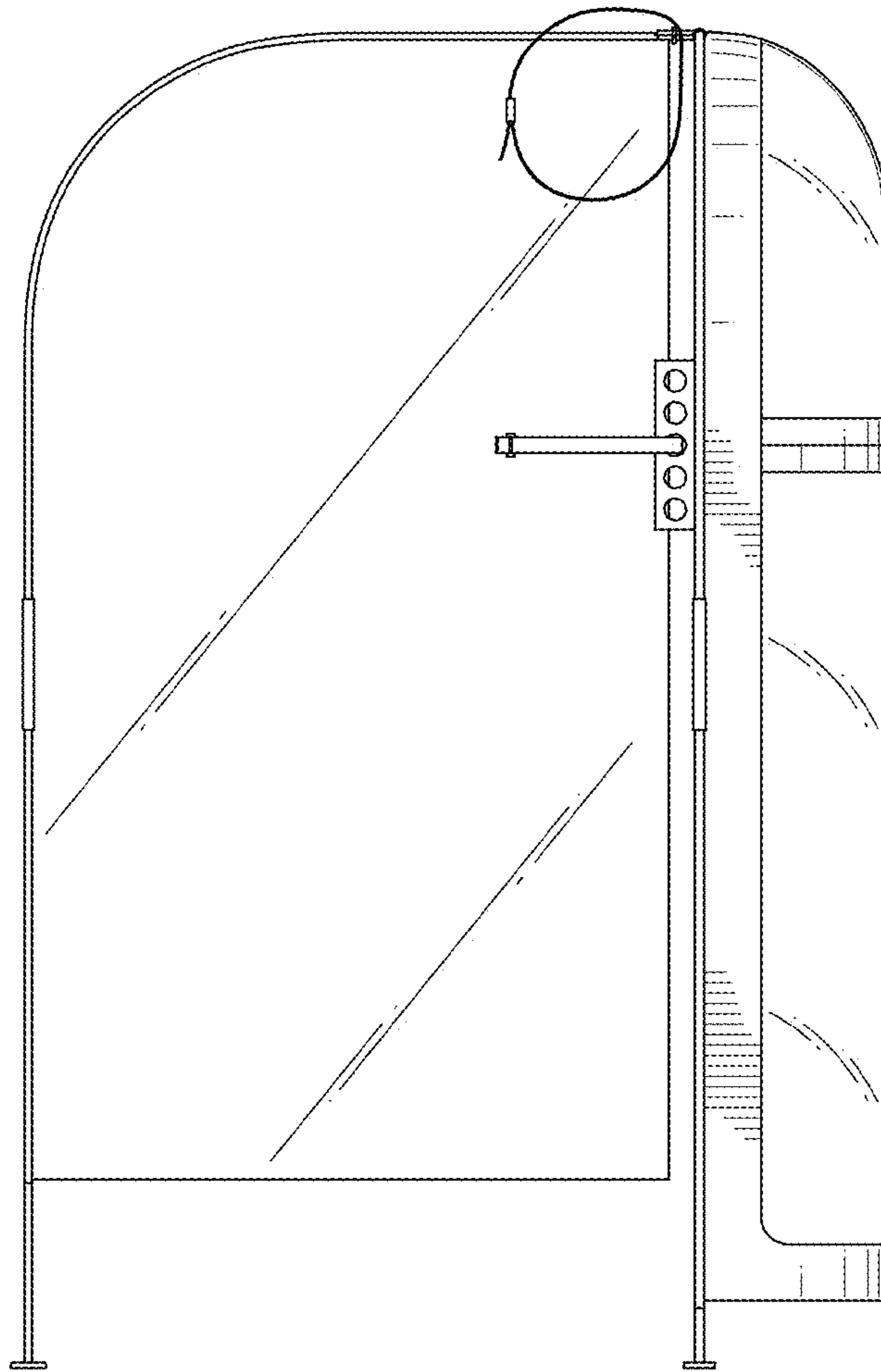


FIG. 6

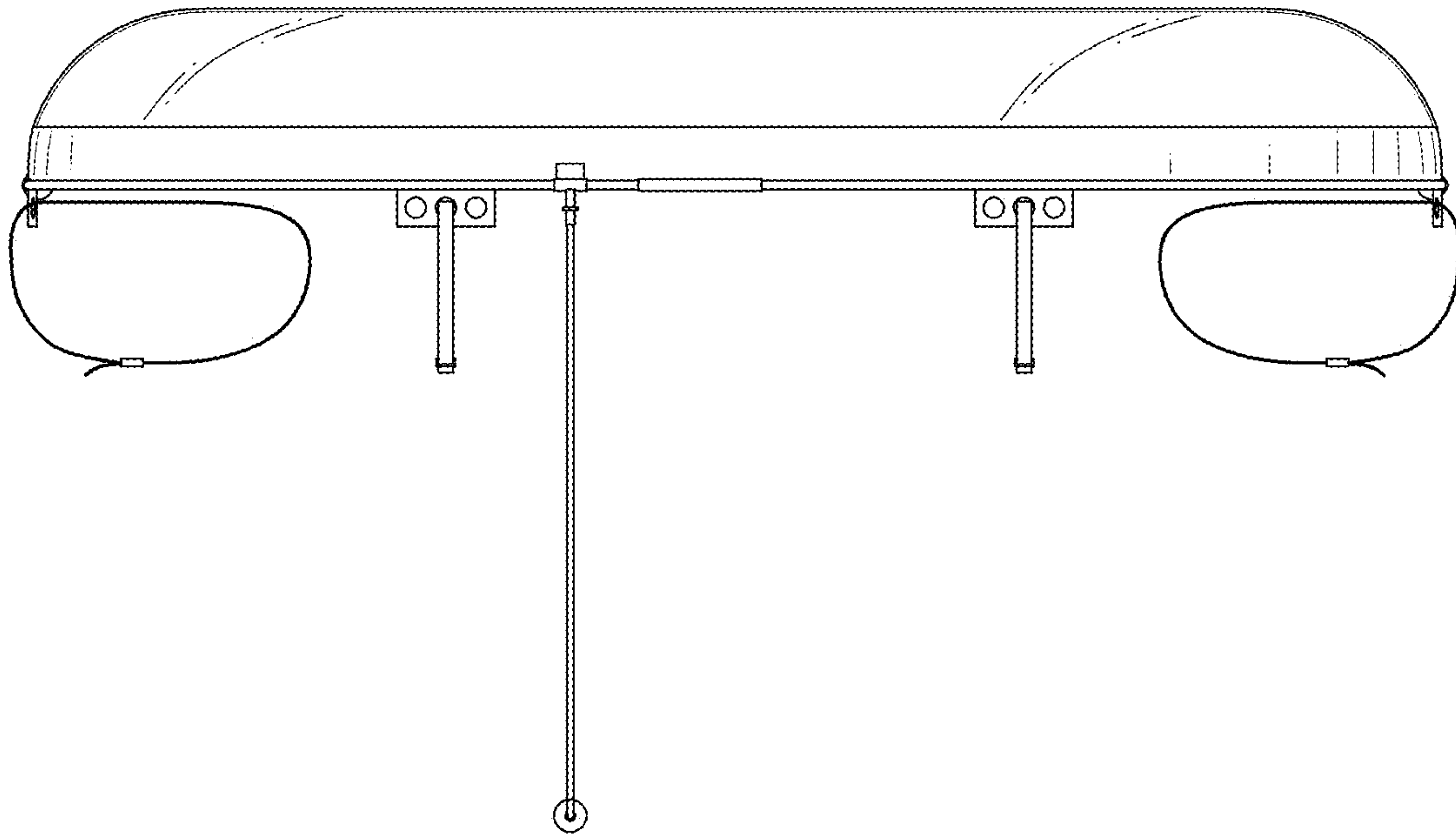


FIG. 7

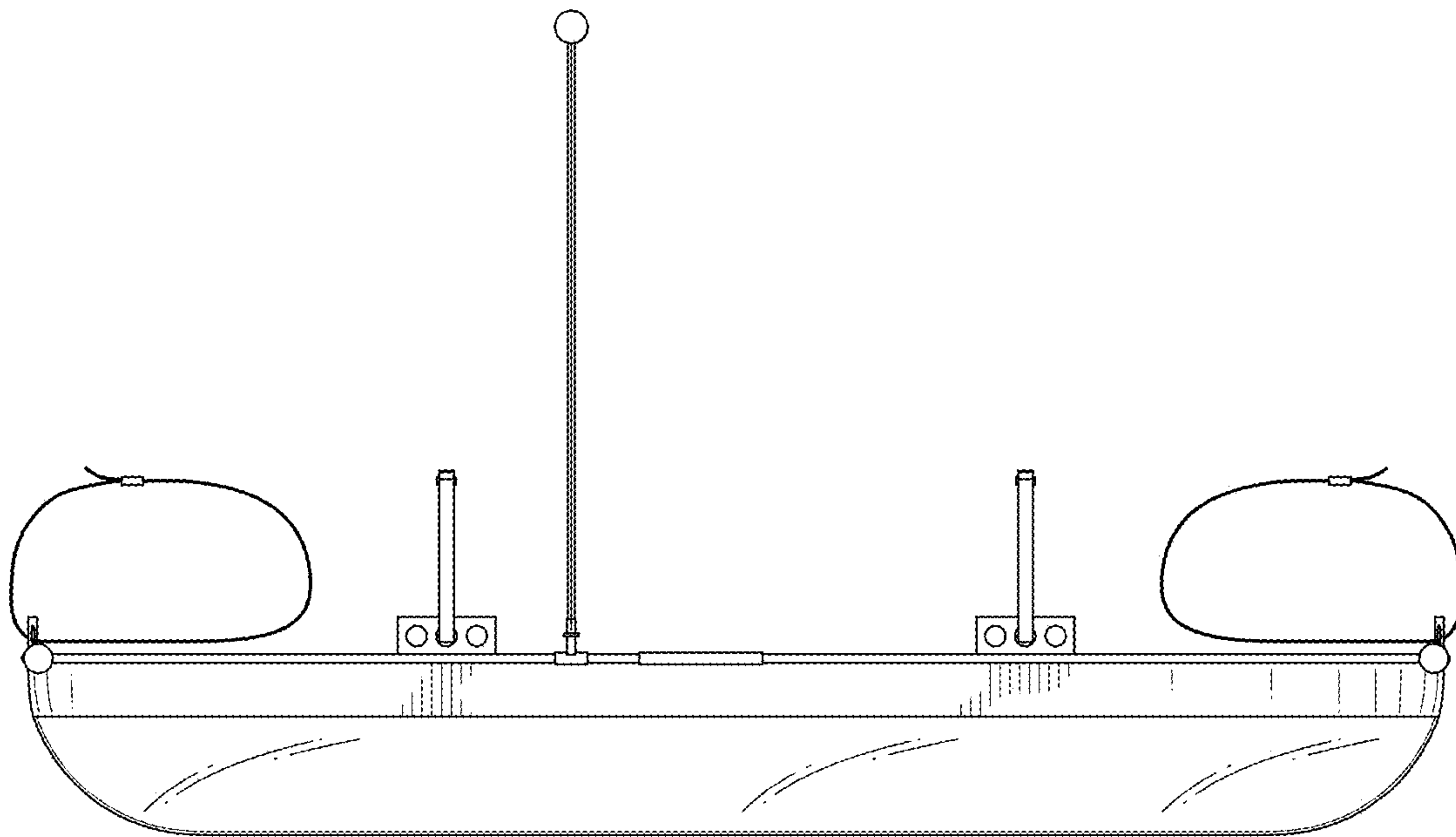


FIG. 8