

US00D962841S

(12) **United States Design Patent**  
**Tang**

(10) **Patent No.:** **US D962,841 S**

(45) **Date of Patent:** **\*\* Sep. 6, 2022**

(54) **IN-CAR STORAGE BOX**

(71) Applicant: **Guangzhou Wenrang Trading Co., Ltd.**, Guangzhou (CN)

(72) Inventor: **Jiawei Tang**, Lufeng (CN)

(73) Assignee: **Guangzhou Wenrang Trading Co., Ltd.**, Guangzhou (CN)

(\*\*) Term: **15 Years**

(21) Appl. No.: **29/836,277**

(22) Filed: **Apr. 26, 2022**

(51) **LOC (13) Cl.** ..... **12-16**

(52) **U.S. Cl.**  
USPC ..... **D12/425**

(58) **Field of Classification Search**  
USPC ..... D12/425, 400, 406, 415-420, 424, 426  
CPC ..... B63B 25/00; B63B 7/085; B63B 35/00;  
B63B 17/00; B60R 16/04  
See application file for complete search history.

(56) **References Cited**

**U.S. PATENT DOCUMENTS**

D496,494 S *	9/2004	Hood	.....	D21/608
D846,482 S *	4/2019	Wu	.....	
D884,578 S *	5/2020	Guo	.....	D12/425
D912,608 S *	3/2021	Chen	.....	D12/425
D916,647 S *	4/2021	Chen	.....	D12/425

D922,935 S *	6/2021	Guo	.....	D12/425
D935,381 S *	11/2021	Chen	.....	D12/425
D940,057 S *	1/2022	Guo	.....	D12/425
D942,366 S *	2/2022	Liang	.....	D12/425
D943,496 S *	2/2022	Brumby	.....	D12/425
D946,493 S *	3/2022	Huang	.....	D12/425
D949,773 S *	4/2022	Huang	.....	D12/425
D950,476 S *	5/2022	Gan	.....	D12/425
D953,967 S *	6/2022	Liu	.....	D12/425

\* cited by examiner

*Primary Examiner* — Katrina A Betton

(74) *Attorney, Agent, or Firm* — Georgi Korobanov

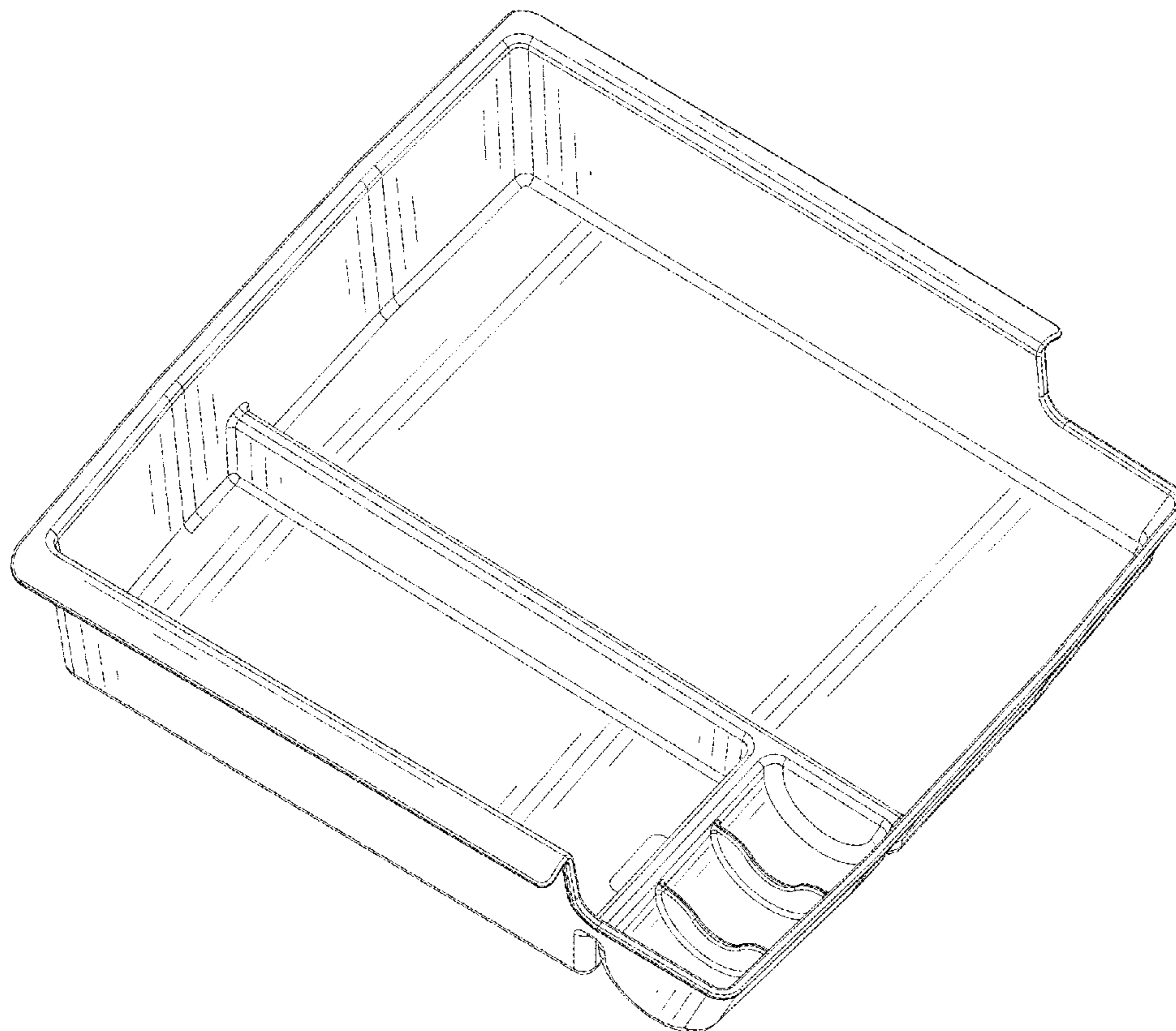
(57) **CLAIM**

The ornamental design for an in-car storage box, as shown and described.

**DESCRIPTION**

FIG. 1 is a perspective view of an in-car storage box, showing my new design;  
FIG. 2 is a front view thereof;  
FIG. 3 is a rear view thereof;  
FIG. 4 is a left side view thereof;  
FIG. 5 is a right side view thereof;  
FIG. 6 is a top plan view thereof; and,  
FIG. 7 is a bottom plan view thereof.

**1 Claim, 7 Drawing Sheets**



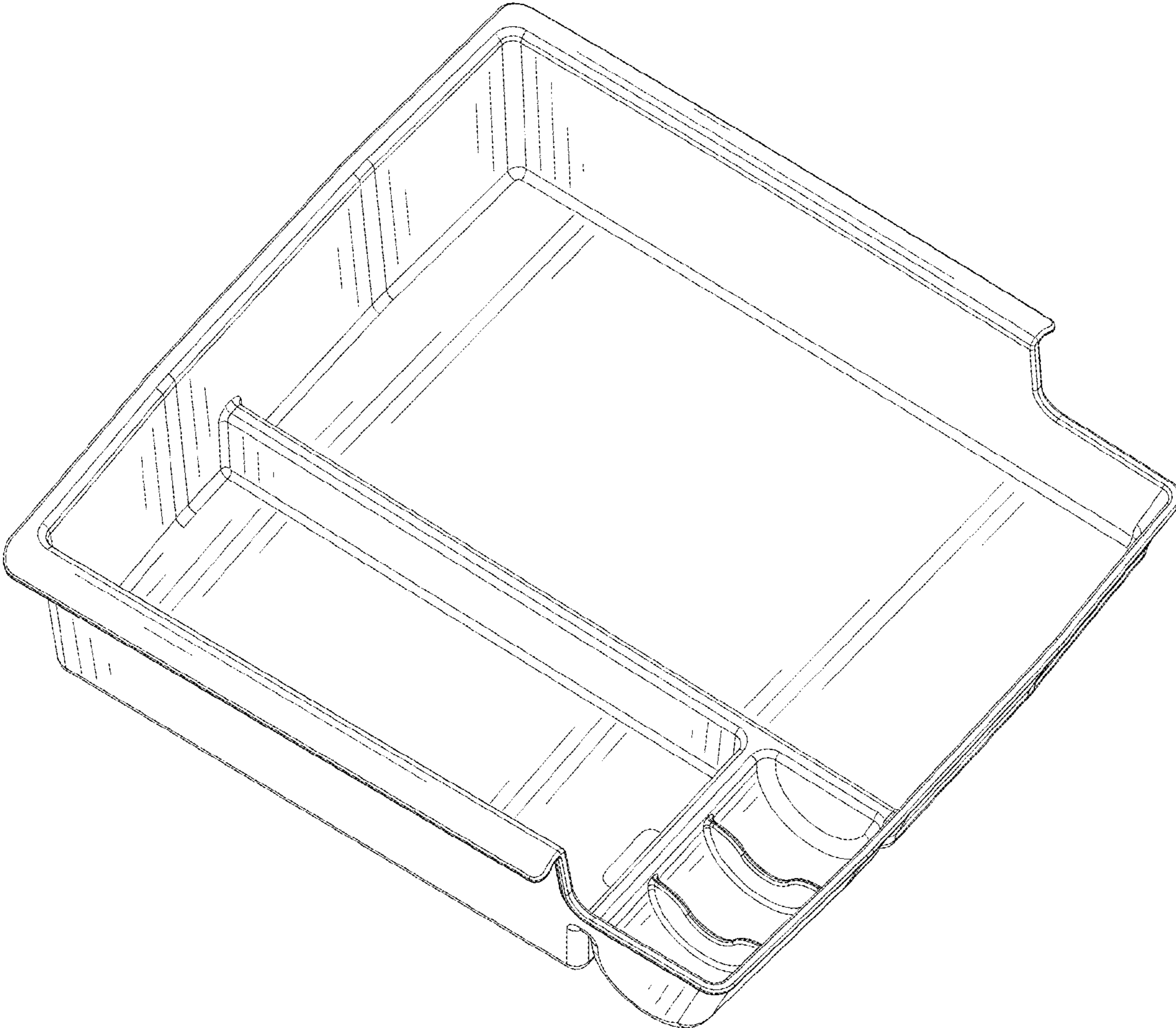


FIG. 1

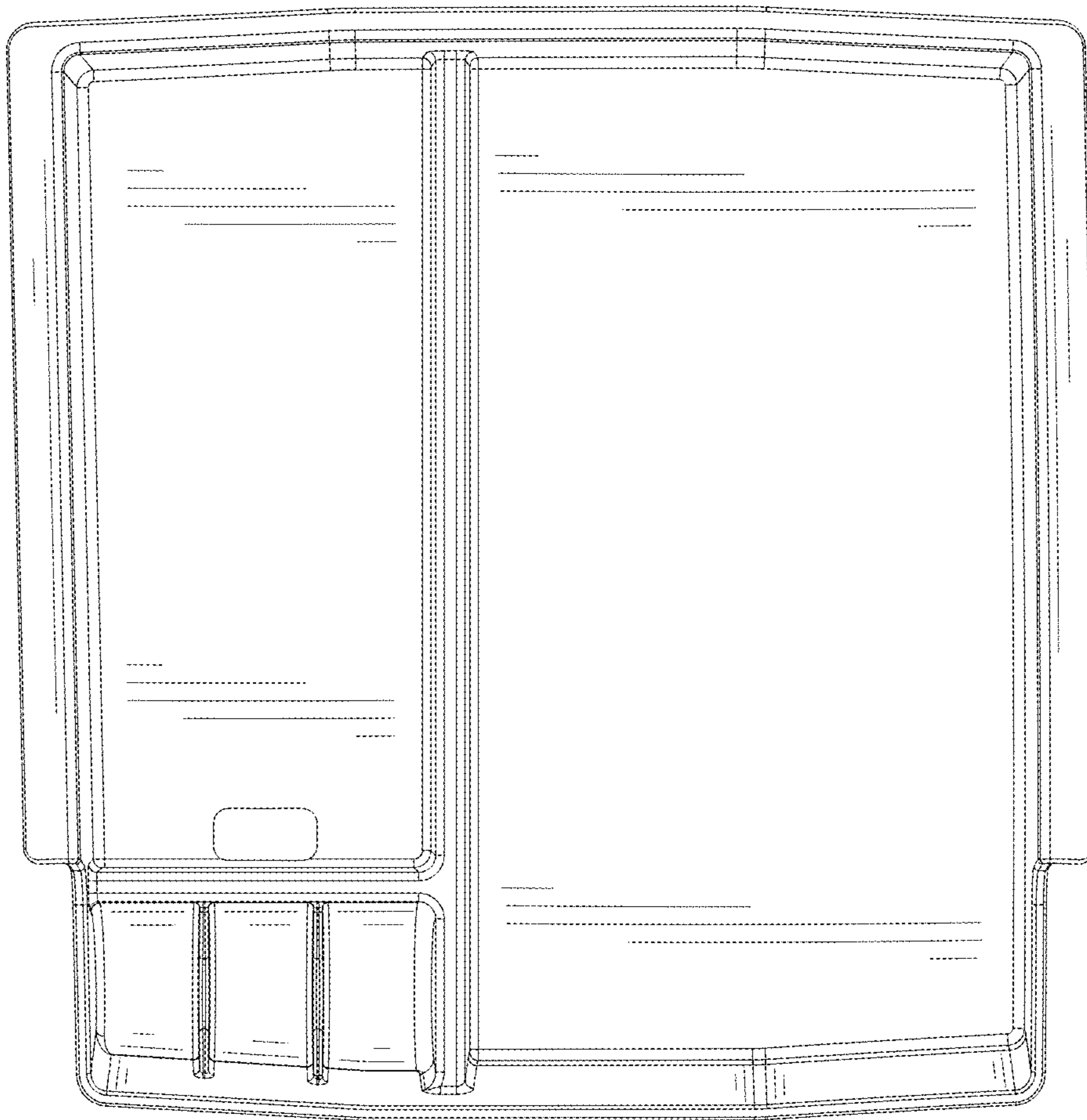


FIG. 2

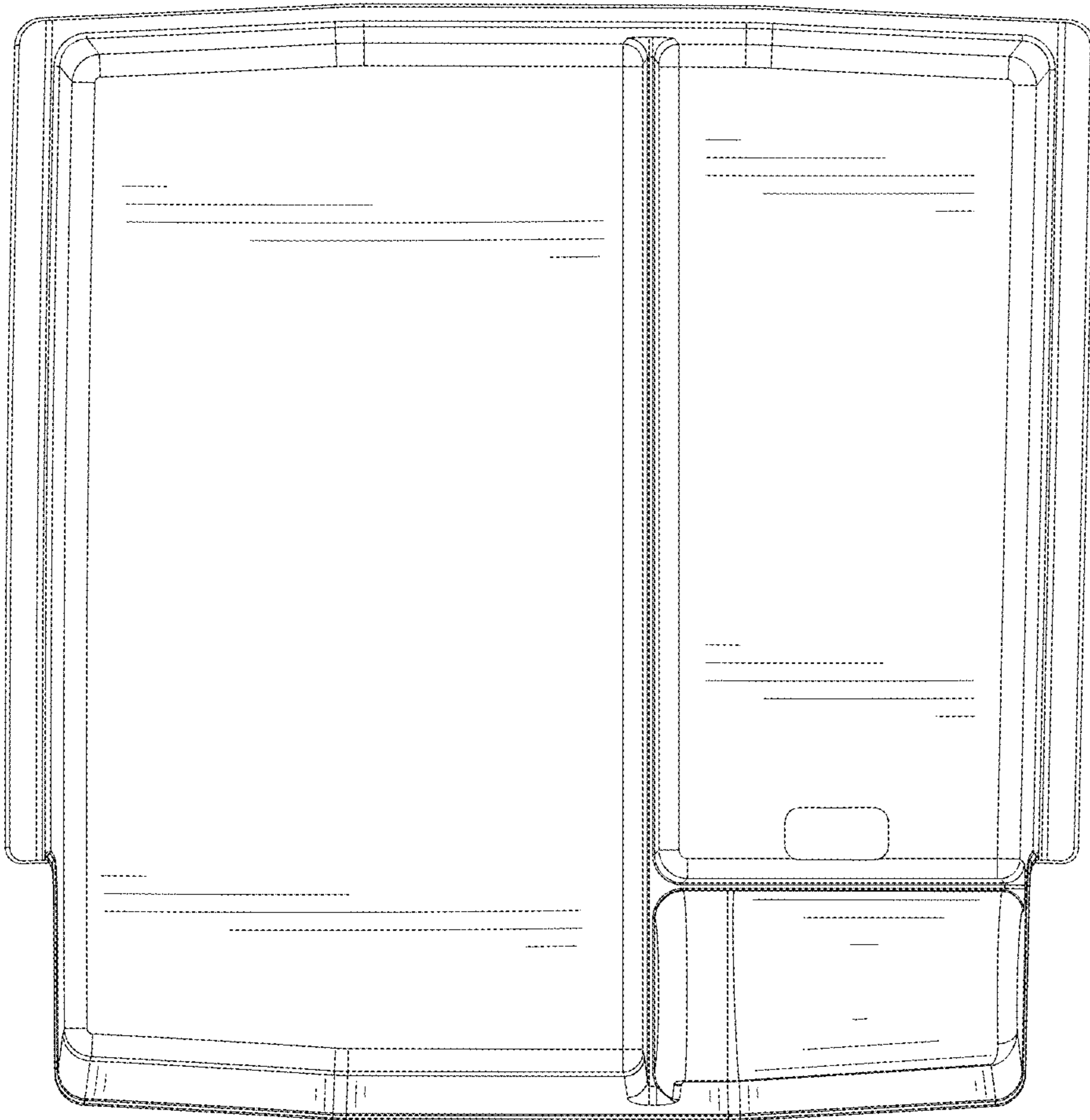


FIG. 3

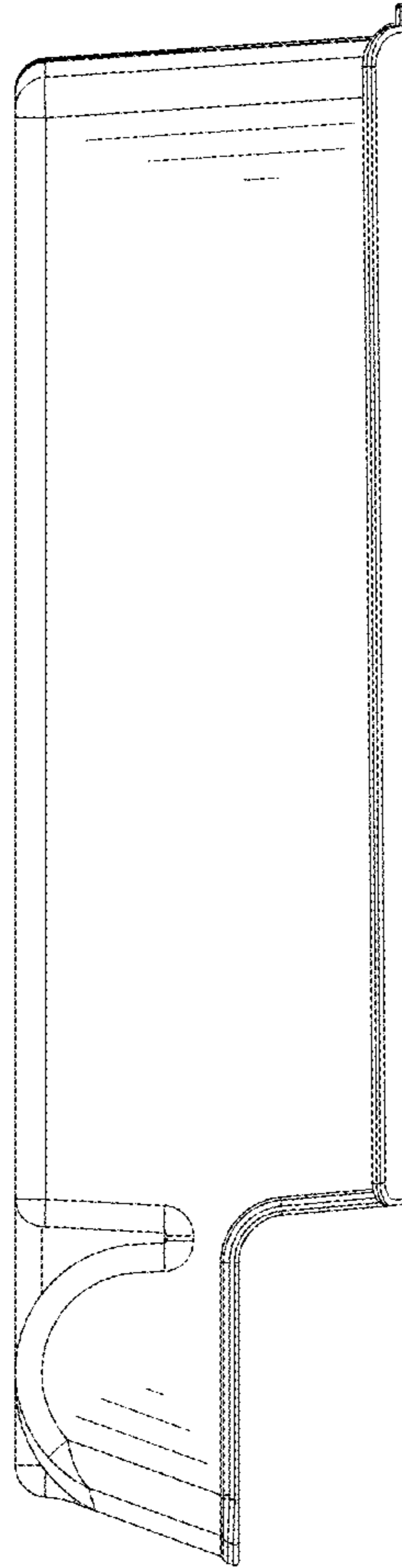


FIG. 4

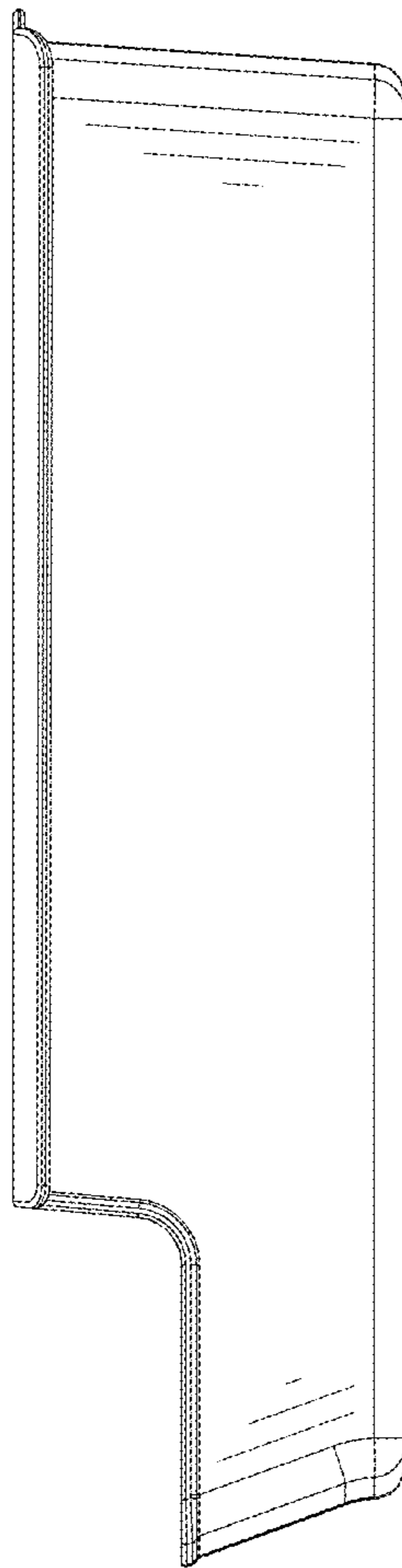


FIG. 5

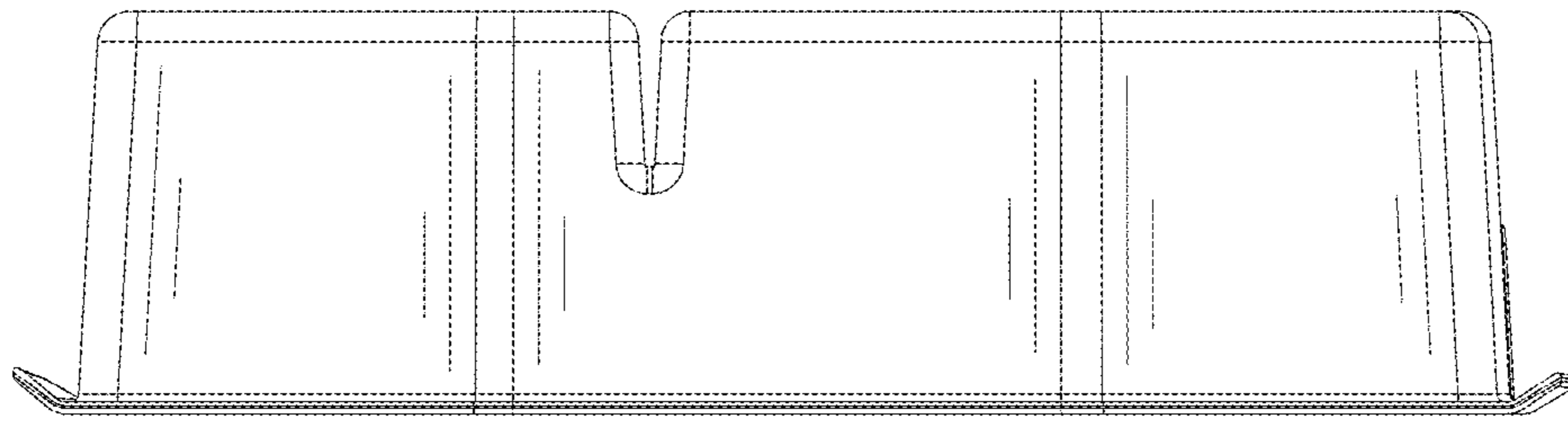


FIG. 6

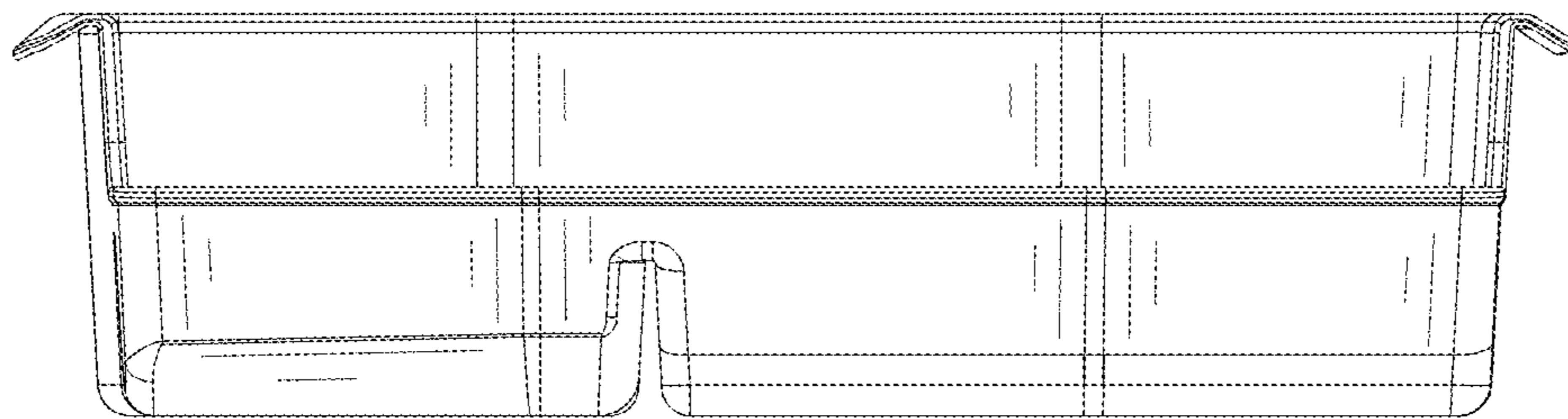


FIG. 7