

US00D962840S

(12) **United States Design Patent**
Moshel

(10) **Patent No.:** **US D962,840 S**

(45) **Date of Patent:** **** Sep. 6, 2022**

- (54) **WHEEL**
- (71) Applicant: **Wheel Pros, LLC**, Greenwood Village, CO (US)
- (72) Inventor: **Maximo Moshel**, Buena Park, CA (US)
- (73) Assignee: **Wheel Pros LLC**
- (**) Term: **15 Years**
- (21) Appl. No.: **29/764,569**

- D510,307 S 10/2005 Howes
- D523,797 S 6/2006 Gallert
- D524,212 S 7/2006 Phillips
- D524,220 S 7/2006 Scheu
- D524,315 S 7/2006 Reusing et al.
- D528,495 S 9/2006 Truebsbach
- D542,209 S 5/2007 Pfeiffer
- D549,148 S 8/2007 Buschmann
- D569,777 S 5/2008 Chung
- D577,650 S 9/2008 Chung
- D579,845 S 11/2008 Chung
- D582,831 S 12/2008 Musser

(Continued)

- (22) Filed: **Dec. 30, 2020**
- (51) **LOC (13) Cl.** **12-16**
- (52) **U.S. Cl.**
USPC **D12/209**
- (58) **Field of Classification Search**
USPC D12/204–213; D21/563
CPC B60B 21/00; B60B 21/02; B60B 21/08;
B60B 21/10; B60B 21/12; B60B 21/06;
B60B 23/00
See application file for complete search history.

FOREIGN PATENT DOCUMENTS

WO WO-D220241-001 * 4/2022

OTHER PUBLICATIONS

“16x6 820M Twisted Gloss Black Aluminum Trailer Wheel” Trailer Wheels., posted date Oct. 31, 2021 [online], [retrieved on May 5, 2020]. Retrieved from the Internet <URL: https://www.trailer-wheels.com/16x6-820M-Twisted-Gloss-Black-Aluminum-Trailer-Wheel-8x650-820M-66080_p_1670.html#.YnRbqHbMJJaQ> (Year: 2021).*

(Continued)

(56) **References Cited**

U.S. PATENT DOCUMENTS

- D291,796 S 9/1987 Reid
- D361,975 S 9/1995 Weld
- D391,216 S 2/1998 Ballmann
- D408,775 S 4/1999 Shikado
- D453,492 S 2/2002 Laengerer
- D455,698 S 4/2002 Chung
- D467,212 S 12/2002 Noriega
- D470,094 S 2/2003 van Hooydonk
- D480,036 S 9/2003 Laengerer
- D482,996 S 12/2003 Sulahian
- D492,925 S 7/2004 Fitzgerald
- D496,317 S 9/2004 Kataoka
- D499,684 S 12/2004 Cheng
- D502,438 S 3/2005 Weld
- D504,859 S 5/2005 Sulahian
- D505,374 S 5/2005 Aleman

Primary Examiner — Darlington Ly

Assistant Examiner — Nasim Abdulaziz Ali

(74) *Attorney, Agent, or Firm* — Eric Hanscom

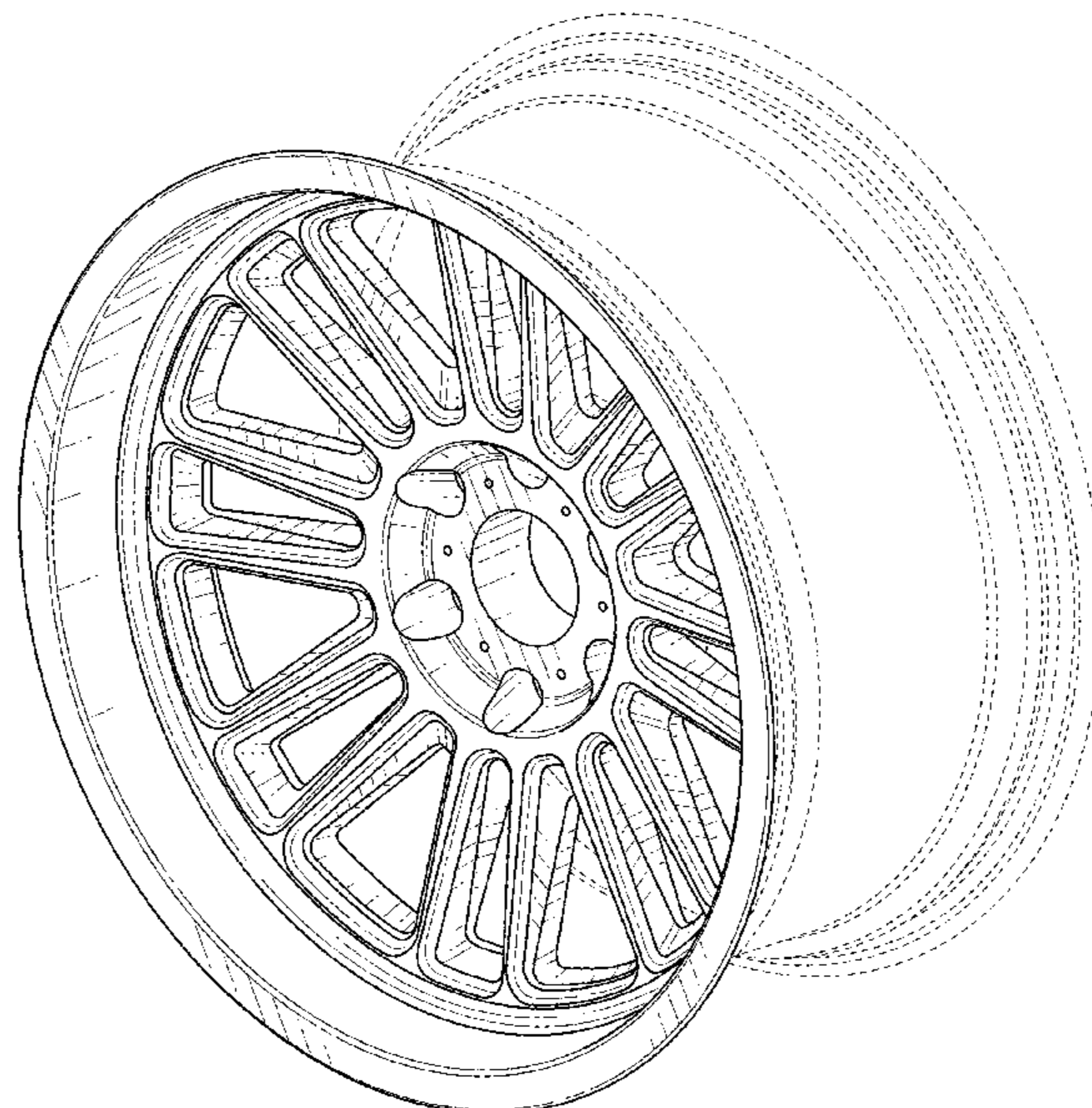
(57) **CLAIM**

The ornamental design for a wheel, as shown and described.

DESCRIPTION

FIG. 1 is a front perspective view of a wheel showing my new design; and, FIG. 2 is a front elevation view thereof. The broken line in the drawings illustrate portions of the wheel that form no part of the claimed design.

1 Claim, 2 Drawing Sheets



(56)

References Cited

U.S. PATENT DOCUMENTS

D596,009 S 7/2009 Sawhney et al.
 D598,357 S 8/2009 Chung
 D617,723 S 6/2010 Zhao
 D623,109 S 9/2010 Markefka
 D635,903 S 4/2011 Zhang
 D654,007 S 2/2012 Nissl
 D654,420 S 2/2012 Guay
 D660,771 S 5/2012 Mueller-Stolz
 D669,009 S 10/2012 Chung
 D686,961 S 7/2013 Chung
 D695,193 S 12/2013 Kong
 D698,298 S 1/2014 Cortes
 D698,300 S 1/2014 Chung
 D702,172 S 4/2014 Chung
 D704,117 S 5/2014 Chung
 D704,617 S 5/2014 Chung
 D706,197 S 6/2014 Chung
 D707,167 S 6/2014 Chung
 D709,020 S 7/2014 Chung
 D713,316 S 9/2014 Song
 D714,207 S 9/2014 Kim
 D717,709 S 11/2014 Valencia Pollex
 D719,893 S 12/2014 Kim
 D731,946 S 6/2015 Chung
 D742,293 S 11/2015 Chung
 D753,046 S 4/2016 Liffick
 D756,882 S 5/2016 Tirado
 D766,805 S 9/2016 Chung
 D769,785 S 10/2016 Wells
 D780,655 S 3/2017 Trim
 D787,407 S * 5/2017 Chung D12/211
 D798,786 S 10/2017 Chung
 D798,789 S 10/2017 Kong
 D799,395 S 10/2017 Chung
 D800,633 S 10/2017 Kong
 D802,512 S 11/2017 Kong
 D805,454 S 12/2017 Kong
 D805,455 S 12/2017 Kong
 D807,805 S 1/2018 Caldwell
 D808,876 S 1/2018 Caldwell
 D817,845 S 5/2018 Guidry
 D821,284 S 6/2018 Tran
 D824,316 S 7/2018 Tran
 D826,827 S 8/2018 Tran
 D828,271 S * 9/2018 Han D12/211
 D828,878 S * 9/2018 Sprowl D21/563
 D833,360 S 11/2018 Kong
 D835,023 S 12/2018 Tran
 D838,223 S 1/2019 Chung
 D840,900 S 2/2019 Lickliter
 D840,901 S 2/2019 Lickliter
 D840,902 S 2/2019 Lickliter

D849,655 S 5/2019 Kong
 D850,349 S 6/2019 Lickliter
 D852,706 S 7/2019 Tran
 10,357,993 B2 * 7/2019 Müller B60B 1/08
 D860,899 S 9/2019 Lickliter
 D860,900 S 9/2019 Lickliter
 D860,901 S 9/2019 Lickliter
 D860,904 S * 9/2019 Milani D12/209
 D860,908 S * 9/2019 Han D12/209
 D862,341 S 10/2019 Kong
 D893,386 S 8/2020 Chung
 D896,729 S 9/2020 Chung
 D897,926 S 10/2020 Chung
 D899,999 S 10/2020 Kong
 D904,271 S 12/2020 Henderson
 D904,272 S 12/2020 Lickliter
 D904,274 S * 12/2020 Sempek D12/211
 D909,272 S 2/2021 Chung
 D910,525 S 2/2021 Tran
 D911,245 S 2/2021 Chung
 D912,589 S 3/2021 Hale, Jr.
 D912,591 S 3/2021 Tran
 D918,810 S 5/2021 Lickliter
 D922,928 S 6/2021 Kong
 D926,655 S * 8/2021 Lickliter D12/209
 D927,386 S 8/2021 Lickliter
 D931,178 S * 9/2021 Podlovits D12/209
 D936,549 S * 11/2021 Sempek D12/209
 D941,724 S * 1/2022 Sempek D12/209
 D941,725 S * 1/2022 Sempek D12/209
 D943,484 S * 2/2022 Sempek D12/209
 D944,174 S * 2/2022 Swerdloff D12/209
 D944,704 S * 3/2022 Anscheidt D12/209
 D945,342 S * 3/2022 Sempek D12/209
 D945,344 S * 3/2022 Abderrazak D12/209
 D945,348 S * 3/2022 Sempek D12/211
 D946,484 S * 3/2022 Johnson D12/209
 D947,740 S * 4/2022 Bernoni D12/209
 D947,741 S * 4/2022 Manzoni D12/209
 2022/0080784 A1 * 3/2022 Yoon B60B 21/026
 2022/0118793 A1 * 4/2022 Kerkvliet B60B 21/125

OTHER PUBLICATIONS

“Raceline Wheels 944 Outlander” SoCal Custom Wheels., posted date Mar. 20, 2019 [online], [retrieved on May 5, 2020]. Retrieved from the Internet <URL: <https://www.socalcustomwheels.com/944-outlander-gloss-black-6-lug-w-54008.htm>> (Year: 2019).*

“Touren TR60 18 Black Wheel/Rim” Motosport., posted date Oct. 14, 2012 [online], [retrieved on May 5, 2020]. Retrieved from the Internet <URL: https://www.amazon.com/Touren-Black-Offset-Partnumber-3260-8811MB/dp/B009LR2CMM/ref=sr_1_12?keywords=car+wheel+rims&qid=1651791685&sr=8-12> (Year: 2012).*

* cited by examiner

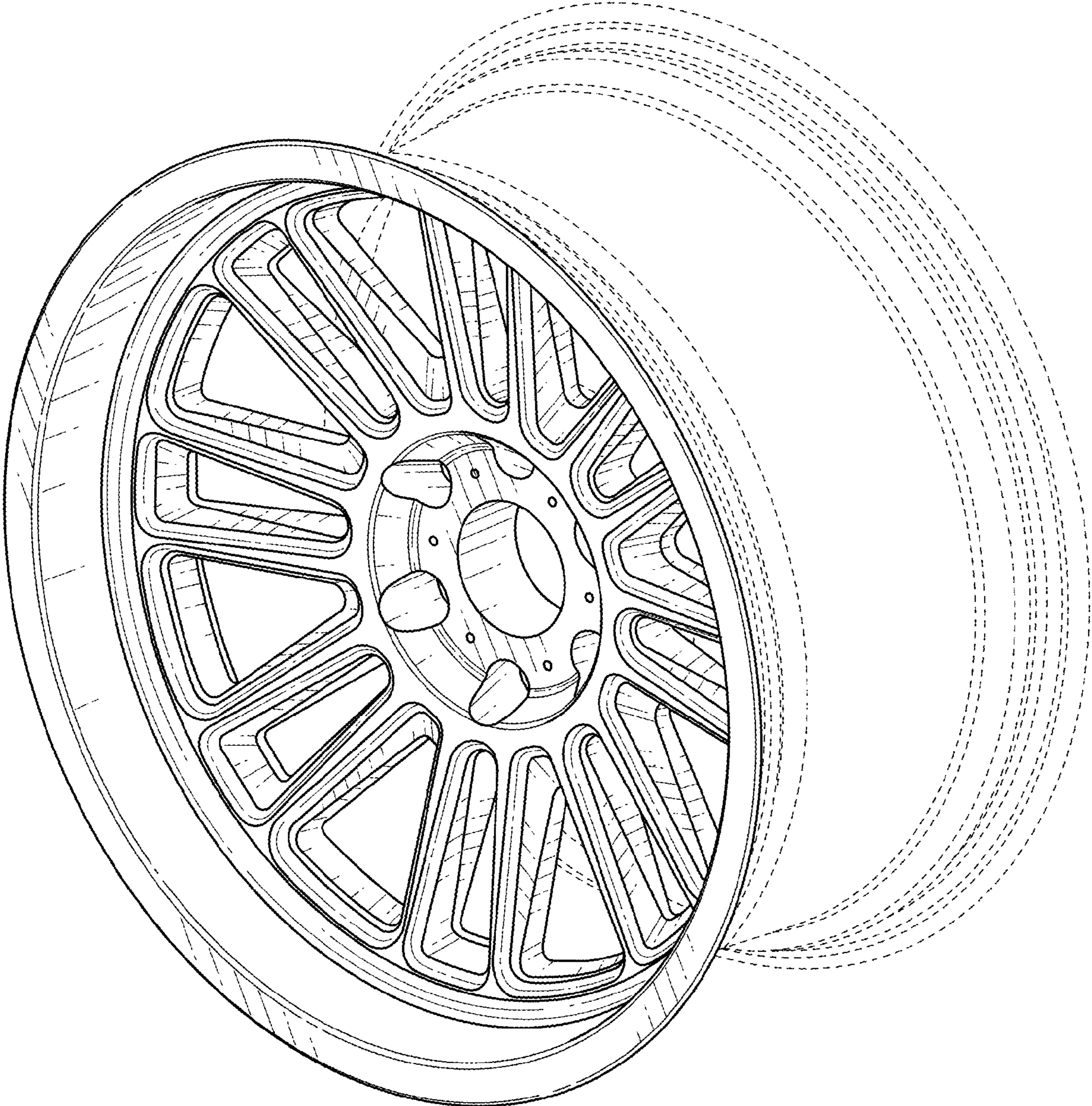


FIG. 1

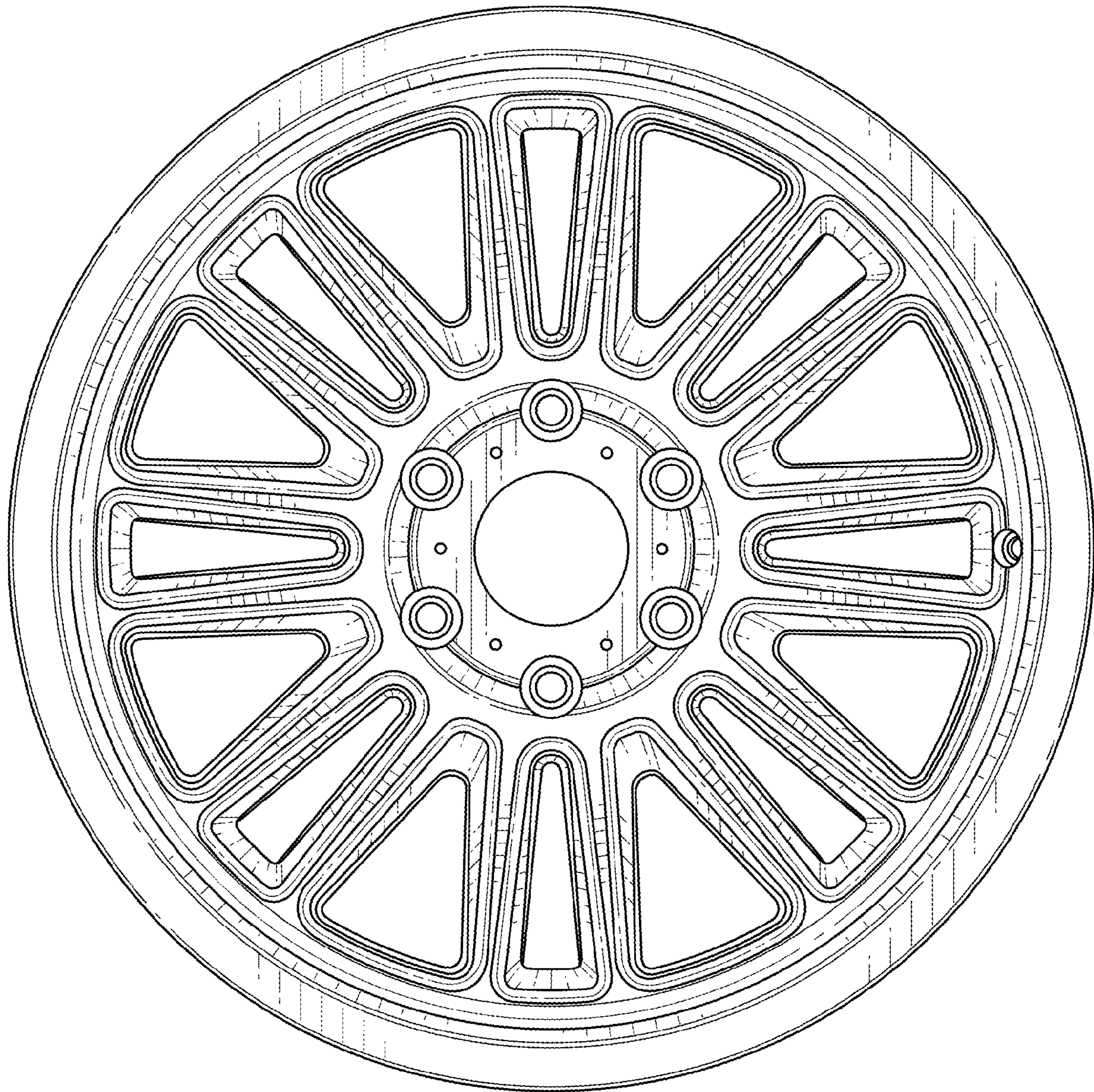


FIG. 2