



US00D962837S

(12) **United States Design Patent**
Kim et al.

(10) **Patent No.:** **US D962,837 S**
(45) **Date of Patent:** **** Sep. 6, 2022**

(54) **SET OF VEHICLE WINDOWS**
(71) Applicant: **Canoo Technologies Inc.**, Torrance, CA (US)
(72) Inventors: **Richard Kim**, Los Angeles, CA (US); **Brian Oh**, Rancho Palos Verdes, CA (US); **Jackson E. Luttig**, Rancho Palos Verdes, CA (US); **Brian Spencer**, Lakewood, CA (US); **Sagar Shrivastava**, San Pedro, CA (US); **Calvin Liu**, Torrance, CA (US)

D800,017 S 10/2017 Sapet
D832,742 S 11/2018 Fisker
D839,784 S 2/2019 Sugawara et al.
D860,862 S 9/2019 Janin
D875,185 S 2/2020 Zeng
D885,271 S * 5/2020 Lu D12/181
D888,632 S * 6/2020 Battams D12/190
D889,327 S * 7/2020 Lu D12/169
D892,009 S * 8/2020 Russell D12/190
D895,495 S * 9/2020 Grewer D12/190
10,769,940 B2 9/2020 Hur
(Continued)

(73) Assignee: **Canoo Technologies Inc.**, Torrance, CA (US)
(**) Term: **15 Years**
(21) Appl. No.: **29/804,204**
(22) Filed: **Aug. 18, 2021**

OTHER PUBLICATIONS
Autonomous Vehicles. (Design—© Questel) orbit.com. [Online PDF compilation of references] 89 pgs. Print Dates Range Aug. 26, 2021-Jun. 15, 2016 [Retrieved Jan. 7, 2022].*
(Continued)
Primary Examiner — Manpreet S Matharu
Assistant Examiner — Suzanne E Tisdell

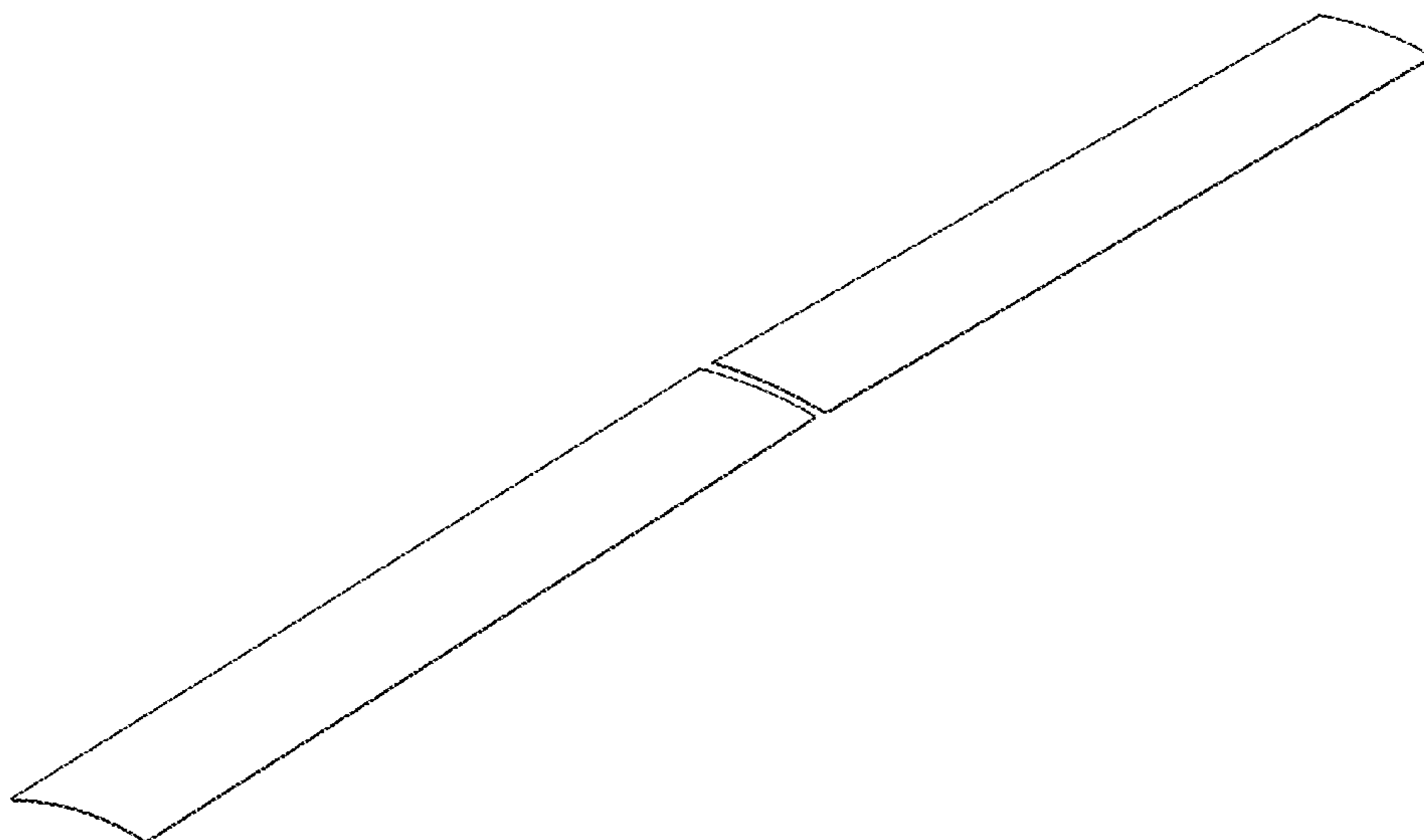
Related U.S. Application Data
(62) Division of application No. 29/706,601, filed on Sep. 20, 2019, now Pat. No. Des. 941,203.
(51) **LOC (13) Cl.** **12-16**
(52) **U.S. Cl.**
USPC **D12/183**
(58) **Field of Classification Search**
USPC D12/183, 190, 191
CPC A62B 3/005; B60J 1/02; B60J 1/20; B60J 1/006; B60J 1/007; F41H 5/263; F41H 5/407
See application file for complete search history.

(57) **CLAIM**
The ornamental design for a set of vehicle windows, as shown and described.

(56) **References Cited**
U.S. PATENT DOCUMENTS
D238,799 S 2/1976 Goldfarb et al.
D262,391 S 12/1981 Kanaoki
D274,637 S 7/1984 Terui et al.
D457,467 S 5/2002 Shimizu

DESCRIPTION
FIG. 1 is a perspective view of a set of vehicle windows, according to an embodiment of the invention.
FIG. 2 is a top view thereof.
FIG. 3 is a side view thereof.
FIG. 4 is a perspective view of a vehicle including the set of vehicle windows.
FIG. 5 is a side view thereof; and,
FIG. 6 is a top view thereof.
Mirror images of the set of vehicle windows as shown in the figures are within the scope of the claimed design.
The broken lines in the figures illustrate environmental features and do not form part of the claimed design.

1 Claim, 6 Drawing Sheets



(56)

References Cited

U.S. PATENT DOCUMENTS

10,821,776	B1	11/2020	Labadie et al.	
10,829,145	B2	11/2020	Washnock et al.	
D905,606	S *	12/2020	Duncan	D12/190
D906,204	S *	12/2020	Brown	D12/191
10,870,361	B2	12/2020	Hara et al.	
D906,914	S *	1/2021	Duncan	D12/190
D913,172	S *	3/2021	Zeng	D12/190
10,951,044	B2	3/2021	Choi et al.	
10,959,892	B2	3/2021	Yamada et al.	
D915,962	S *	4/2021	Pastier	D12/191
10,974,582	B2	4/2021	Hara	
10,983,199	B2	4/2021	Adams et al.	
D922,282	S *	6/2021	Catuzza	D12/183
11,034,254	B2	6/2021	Booth et al.	
11,040,609	B2	6/2021	Hara et al.	
D930,536	S *	9/2021	Guo	D12/190
D940,024	S *	1/2022	Duggan	D12/183

OTHER PUBLICATIONS

Reynolds, Kim. The Canoo Electric Car 6 Thoughts After Visiting the EV Startup. Oct. 17, 2019. Motortrend. <https://www.motortrend.com/features/canoo-electric-car-6-thoughts-ev-startup/>.*

Hanley, Steve. Ride Along With Jay Leno As He Test Drives A Canoo . Jul. 26, 2020. Cleantechica. <https://cleantechnica.com/2020/07/26/ride-along-with-jay-leno-as-he-test-drives-paddles-a-canoo/>.*

Vijayenthiran, Viknesh. Ahead of going public EV startup Canoo unveils second vehicle. Dec. 18, 2020. Motor Authority. https://www.motorauthority.com/news/1130702_ahead-of-going-public-ev-startup-canoo-unveils-second-vehicle.*

Electric Vehicle. (Design—© Questel) orbit.com [Online PDF compilation of references] 49 pgs. Print Dates Range Jan. 20, 2021-Mar. 28, 2019 [Retrieved Jun. 29, 2021].

Reynolds, Kim. “The Canoo Electric Car: 6 Thoughts After Visiting the EV Startup.” Aug. 17, 2019. Motor Trend. <https://www.motortrend.com/news/canoo-electric-car -6-thoug hts-ev-startup/>.

Abuelsamid, Sam. “Introducing Canoo, No Paddles Required for This Electric Van.” Sep. 24, 2019. Forbes. <https://www.forbes.com/sites/samabuelsamid/2019/09/24/introducing-canoo-no-paddles-required-for-this-electric-van/sh =3a231b27641 d>.

OKane, Sean. “Canoos First Subscription-Only EV is a Refereshing Rethink of the VW Microbus.” Sep. 24, 2019. The Verge. <https://www.theverge.com/2019/9/24/20882538/canoo-evelozcity-ev-subscription-electric-vehicle>.

* cited by examiner

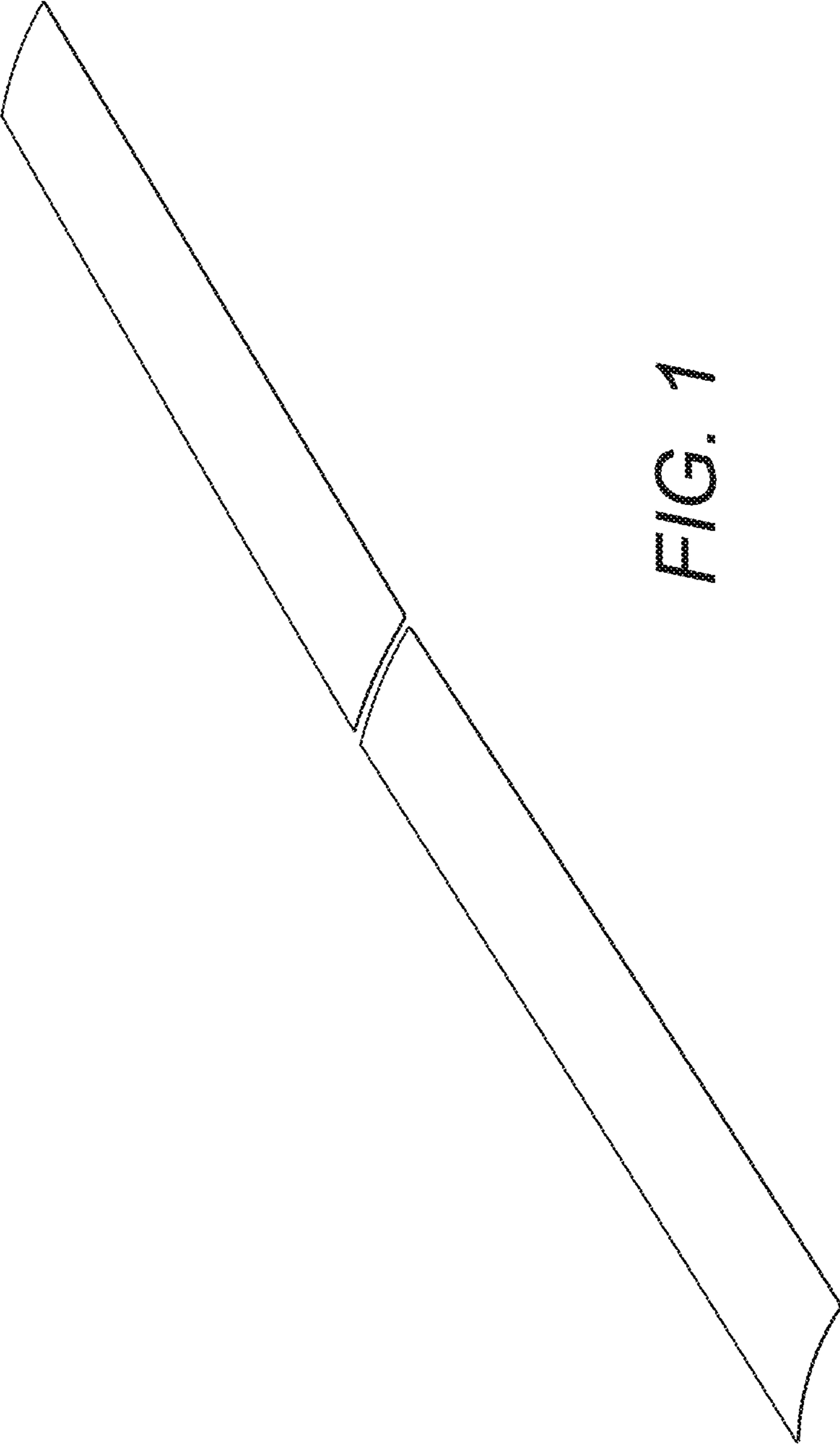


FIG. 1

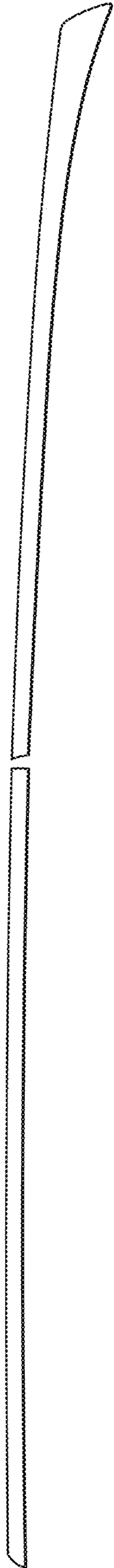


FIG. 2

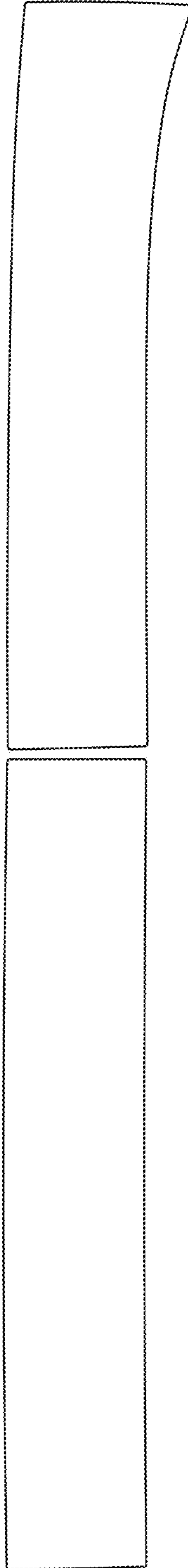


FIG. 3

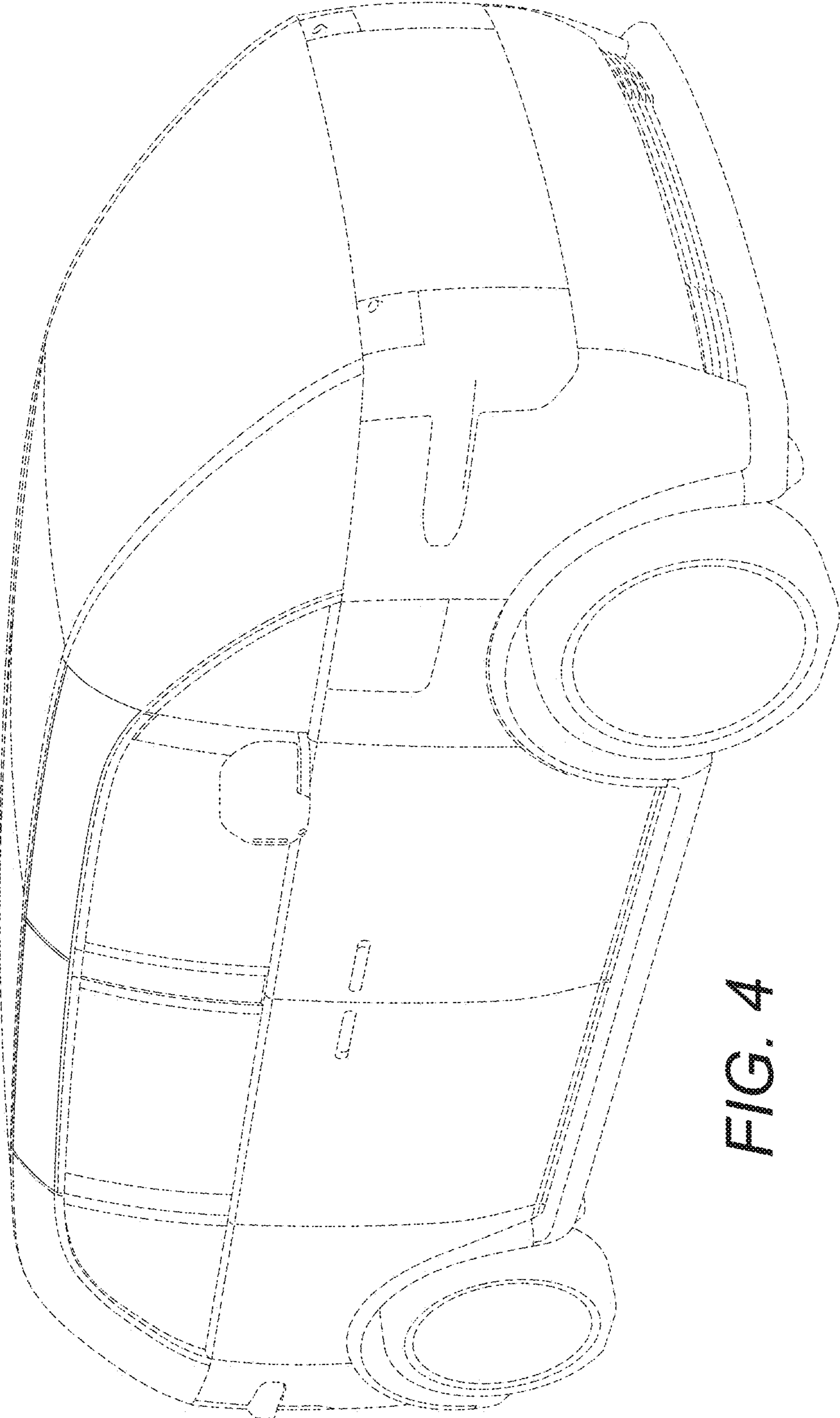


FIG. 4

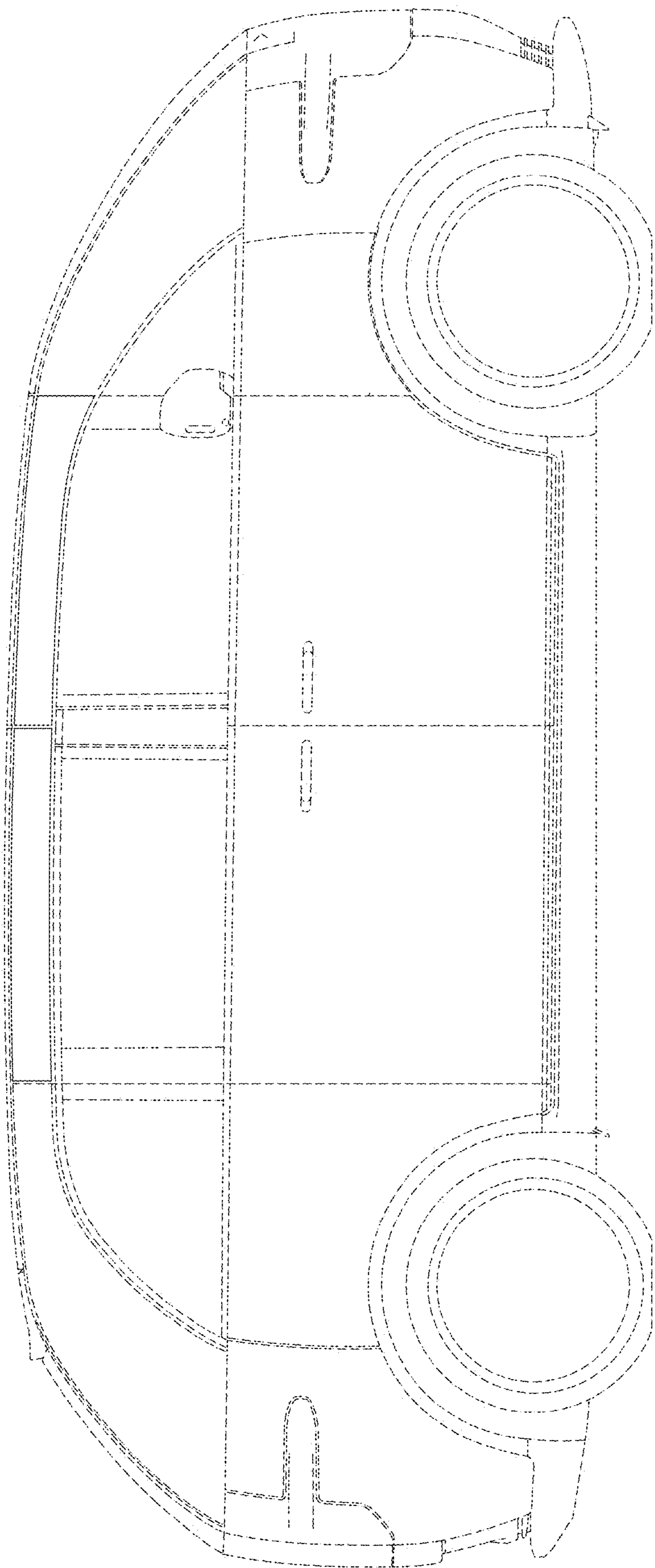


FIG. 5

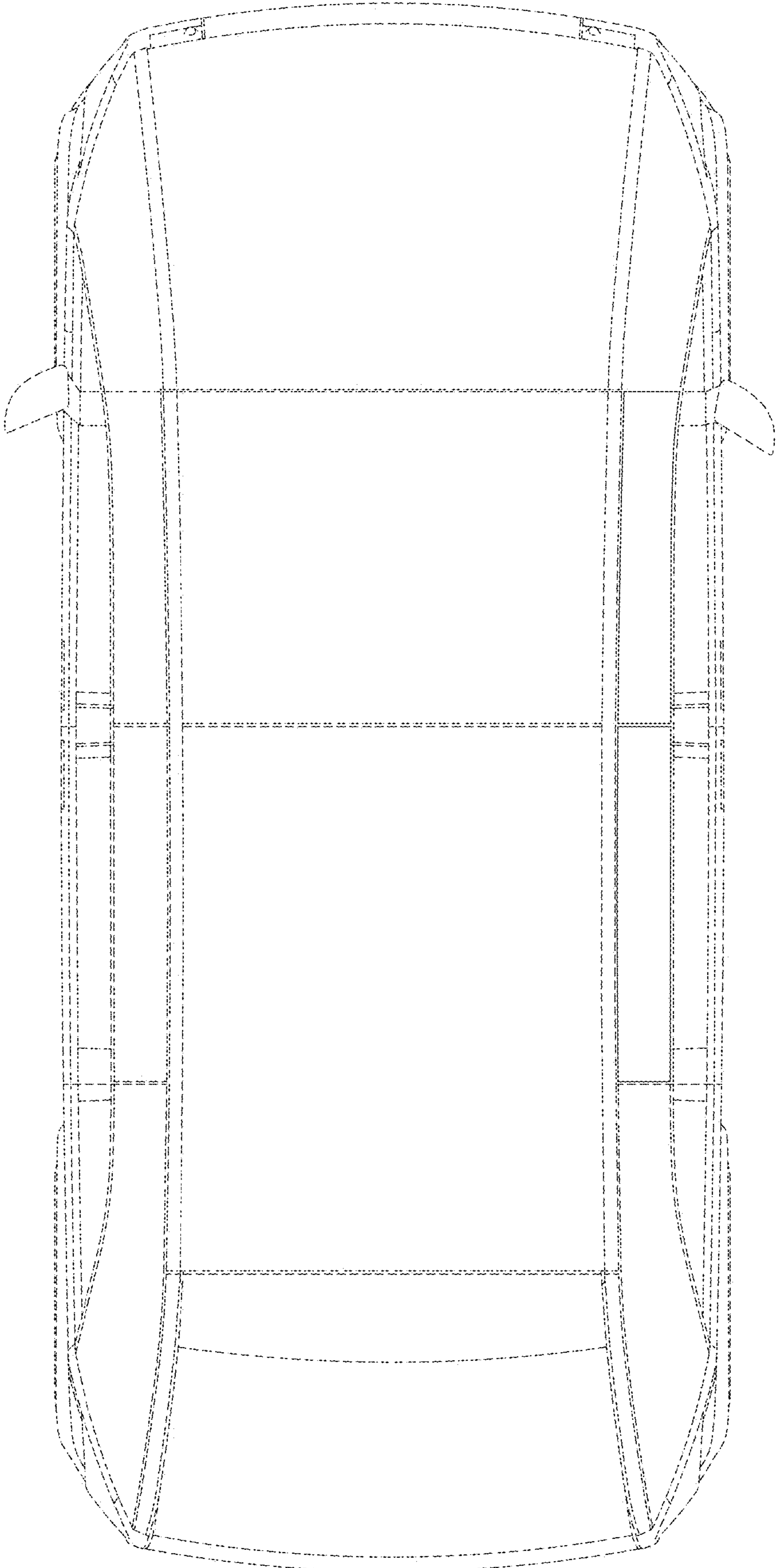


FIG. 6