

US00D962831S

(12) **United States Design Patent** (10) **Patent No.:** **US D962,831 S**  
**Wright** (45) **Date of Patent:** **\*\* Sep. 6, 2022**

(54) **ANTI-WOBBLE HITCH INSERT**  
(71) Applicant: **MESA CARRIERS, LLC**, Fort Worth, TX (US)  
(72) Inventor: **Douglas Wright**, Fort Worth, TX (US)  
(73) Assignee: **Mesa Carriers, LLC**, Fort Worth, TX (US)

(\*\*) Term: **15 Years**  
(21) Appl. No.: **29/786,824**

(22) Filed: **Jun. 2, 2021**  
(51) **LOC (13) Cl.** ..... **12-16**  
(52) **U.S. Cl.**  
USPC ..... **D12/162**  
(58) **Field of Classification Search**  
USPC ..... D12/159, 160, 161, 162, 400, 317;  
D21/777, 810  
CPC . B60D 1/60; B60D 1/065; B60D 1/00; B60D  
1/06; B60D 1/36; B62D 33/033  
See application file for complete search history.

(56) **References Cited**  
U.S. PATENT DOCUMENTS  
D480,338 S \* 10/2003 Harwood ..... B60R 9/06  
D12/162  
D519,424 S \* 4/2006 Fisher ..... D12/162  
D628,128 S \* 11/2010 Sanders ..... D12/162  
D634,259 S \* 3/2011 Farber ..... D12/408  
D698,285 S \* 1/2014 Mason ..... D12/162  
D856,199 S \* 8/2019 Siegel ..... D12/162  
D862,309 S \* 10/2019 Hack ..... D12/162  
D879,671 S \* 3/2020 Siegel ..... D12/162  
D890,636 S \* 7/2020 Sanborn ..... D12/162

D930,156 S \* 9/2021 Wong ..... D24/134  
D931,152 S \* 9/2021 Rabska ..... D12/162  
2017/0246924 A1\* 8/2017 Thompson ..... B60D 1/04  
2022/0161735 A1\* 5/2022 Mannsfeld ..... E04H 15/06

\* cited by examiner

*Primary Examiner* — Katrina A Betton  
(74) *Attorney, Agent, or Firm* — Park, Vaughan, Fleming & Dowler LLP; Shane Nelson

(57) **CLAIM**

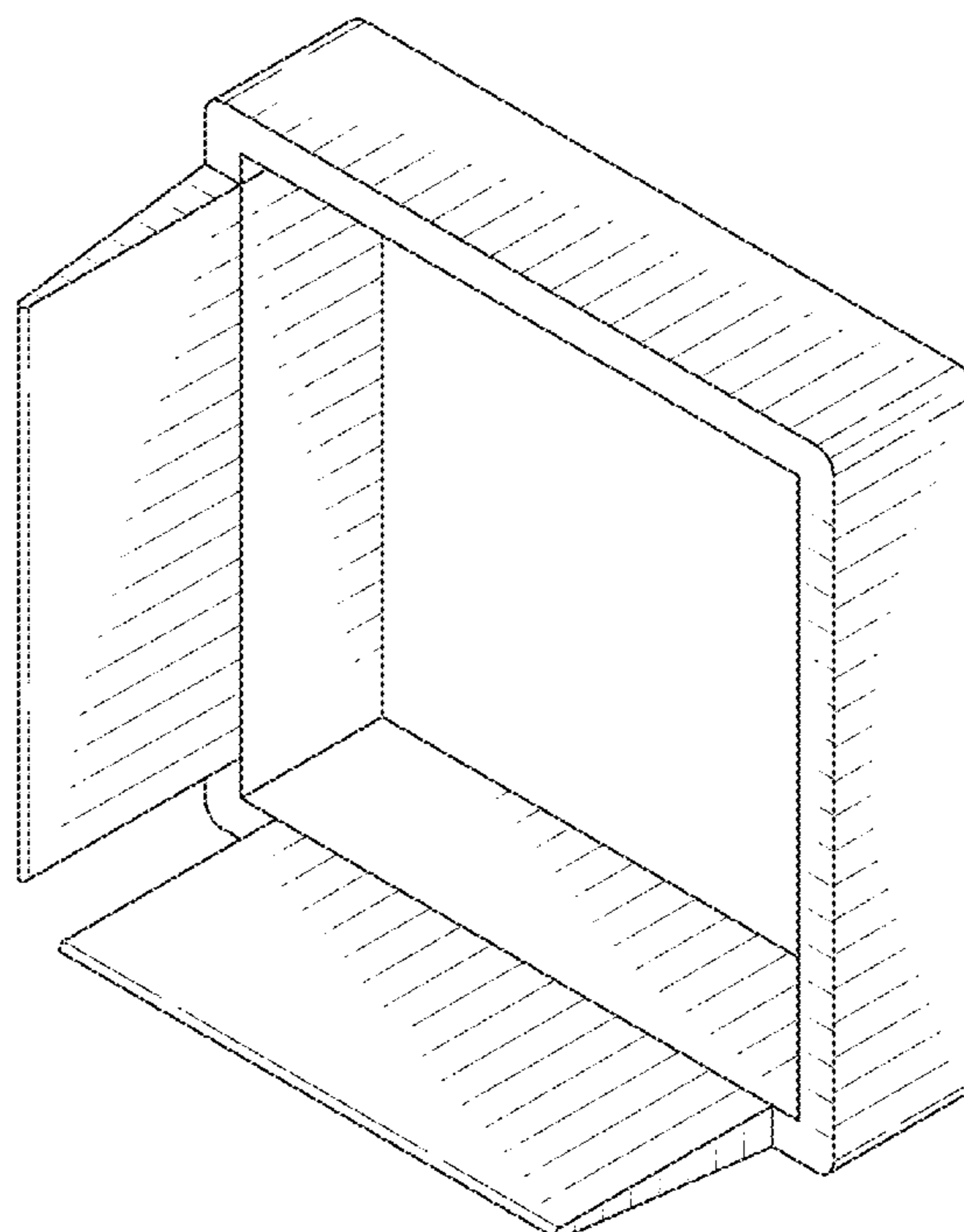
The ornamental design for an anti-wobble hitch insert, as shown and described.

**DESCRIPTION**

FIG. 1 is a perspective view of an anti-wobble hitch insert of my design;  
FIG. 2 is a front view of the anti-wobble hitch insert of FIG. 1;  
FIG. 3 is a rear view of the anti-wobble hitch insert of FIG. 1;  
FIG. 4 is a left side view of the anti-wobble hitch insert of FIG. 1;  
FIG. 5 is a right side view of the anti-wobble hitch insert of FIG. 1;  
FIG. 6 is a top view of the anti-wobble hitch insert of FIG. 1; and,  
FIG. 7 is a bottom view of the anti-wobble hitch insert of FIG. 1.

The dashed lines represent environmental structure and form no part of the claimed design. All other surface(s) or portion(s) of my designs not shown in the figures or otherwise described in the specification form no part of the claimed designs.

**1 Claim, 4 Drawing Sheets**



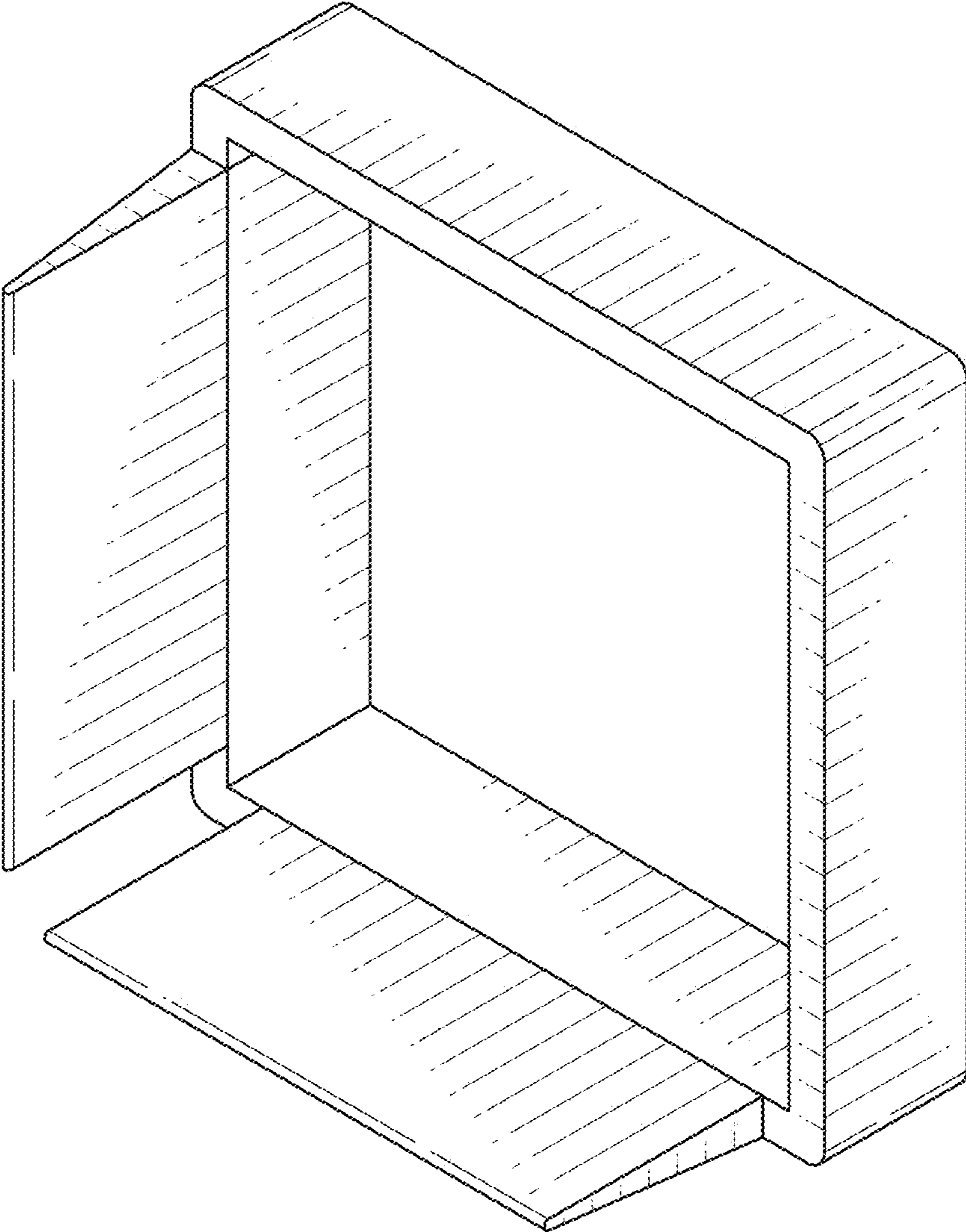


FIG. 1

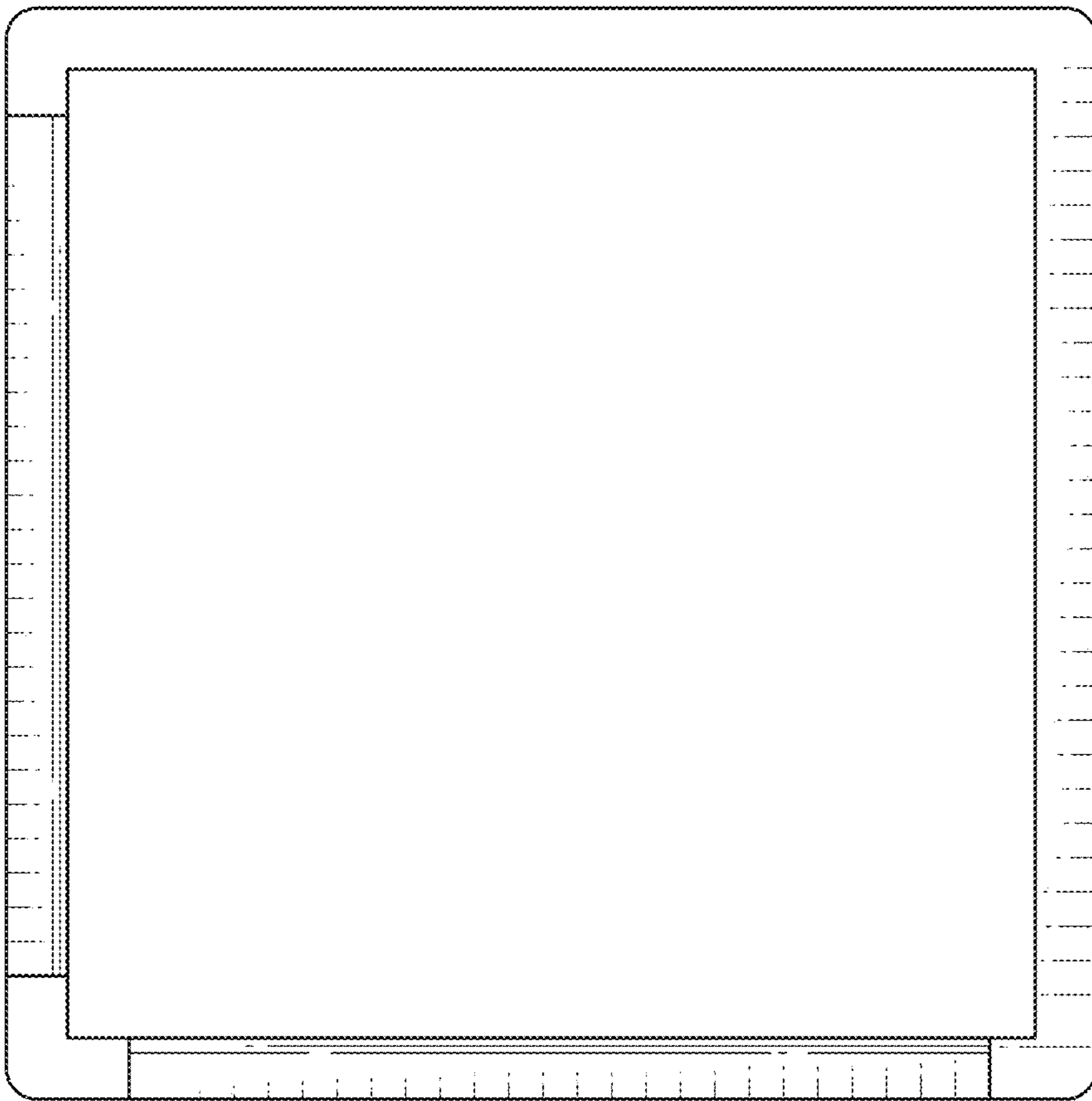


FIG. 2

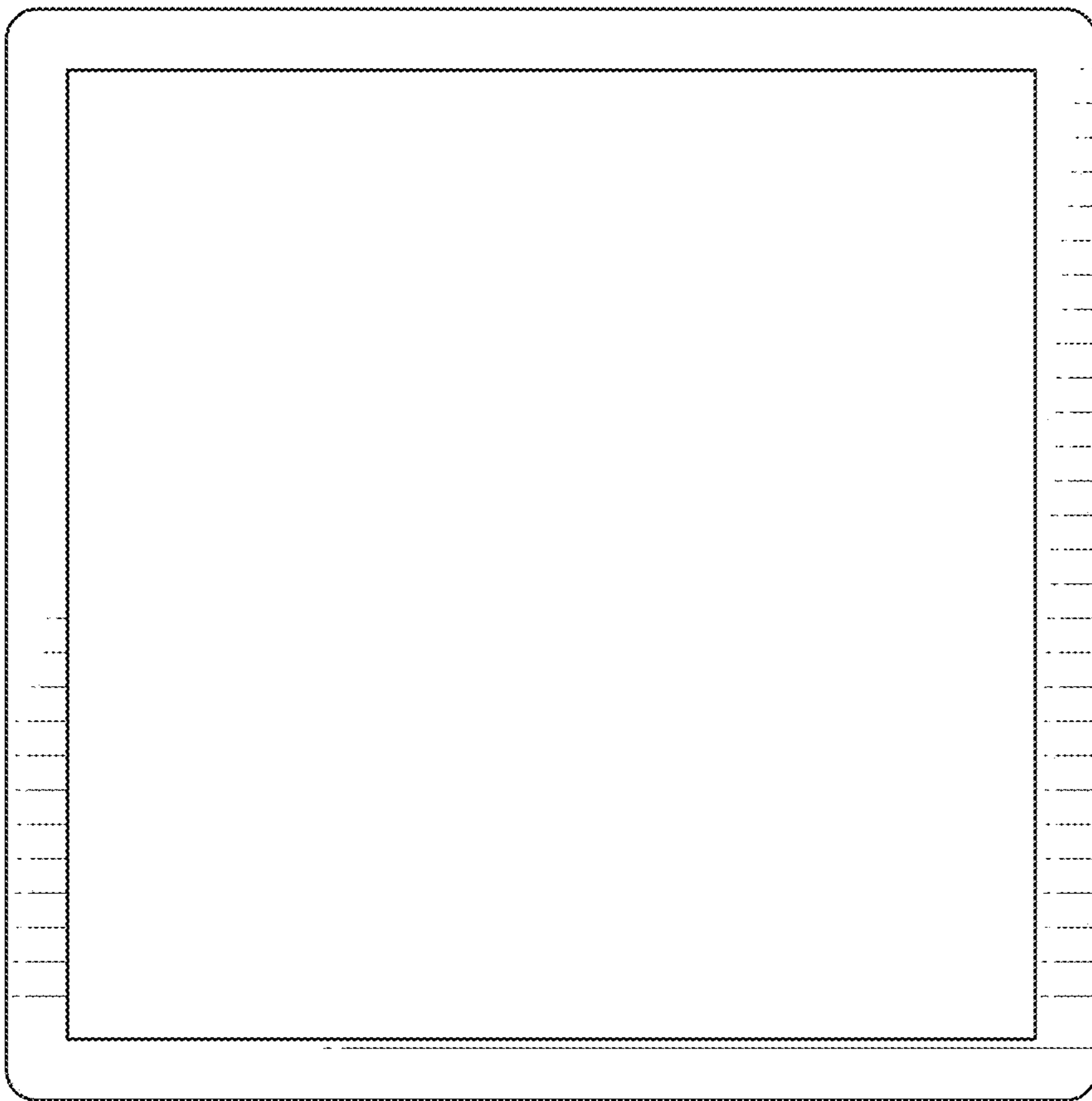


FIG. 3

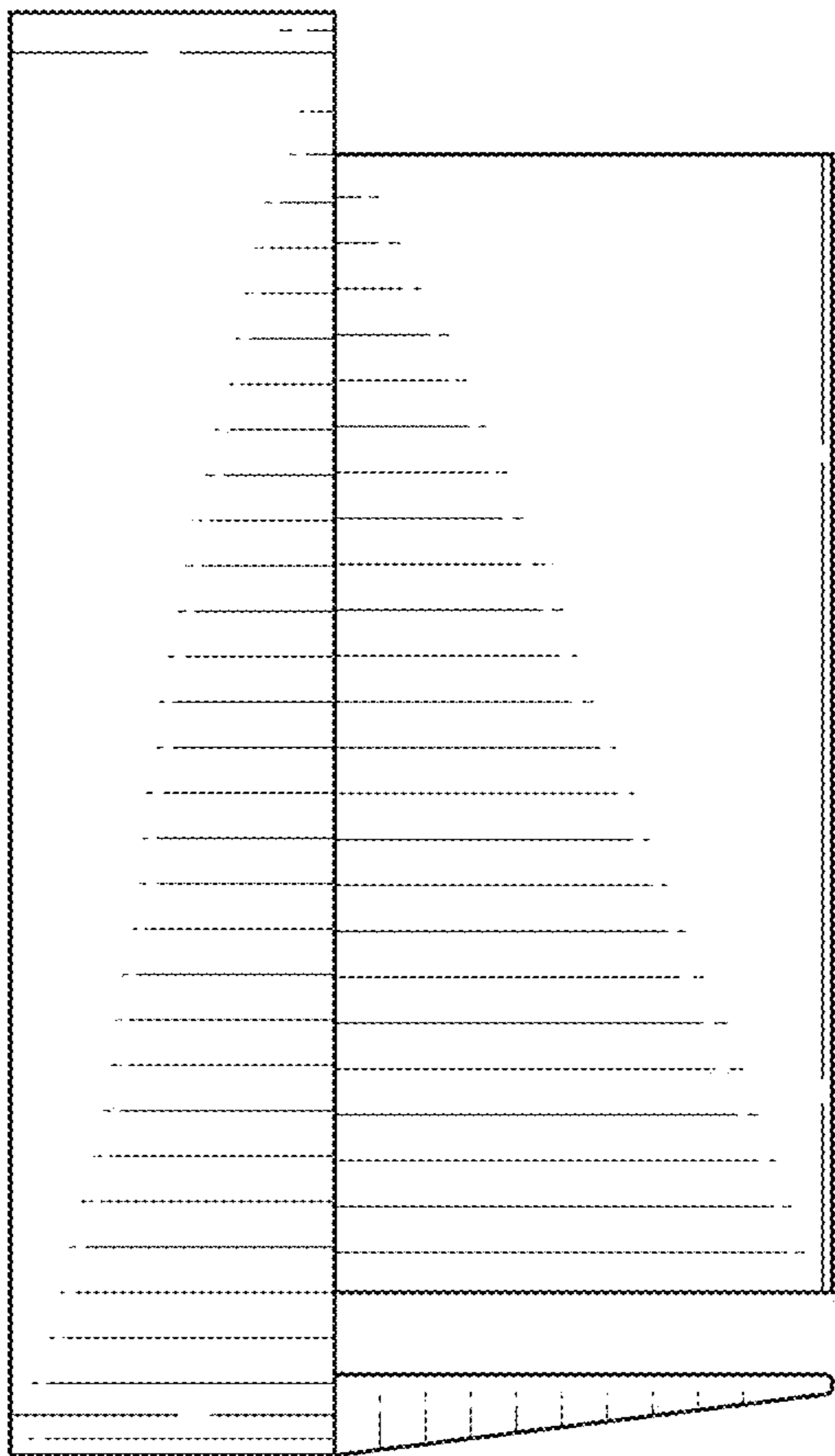


FIG. 4

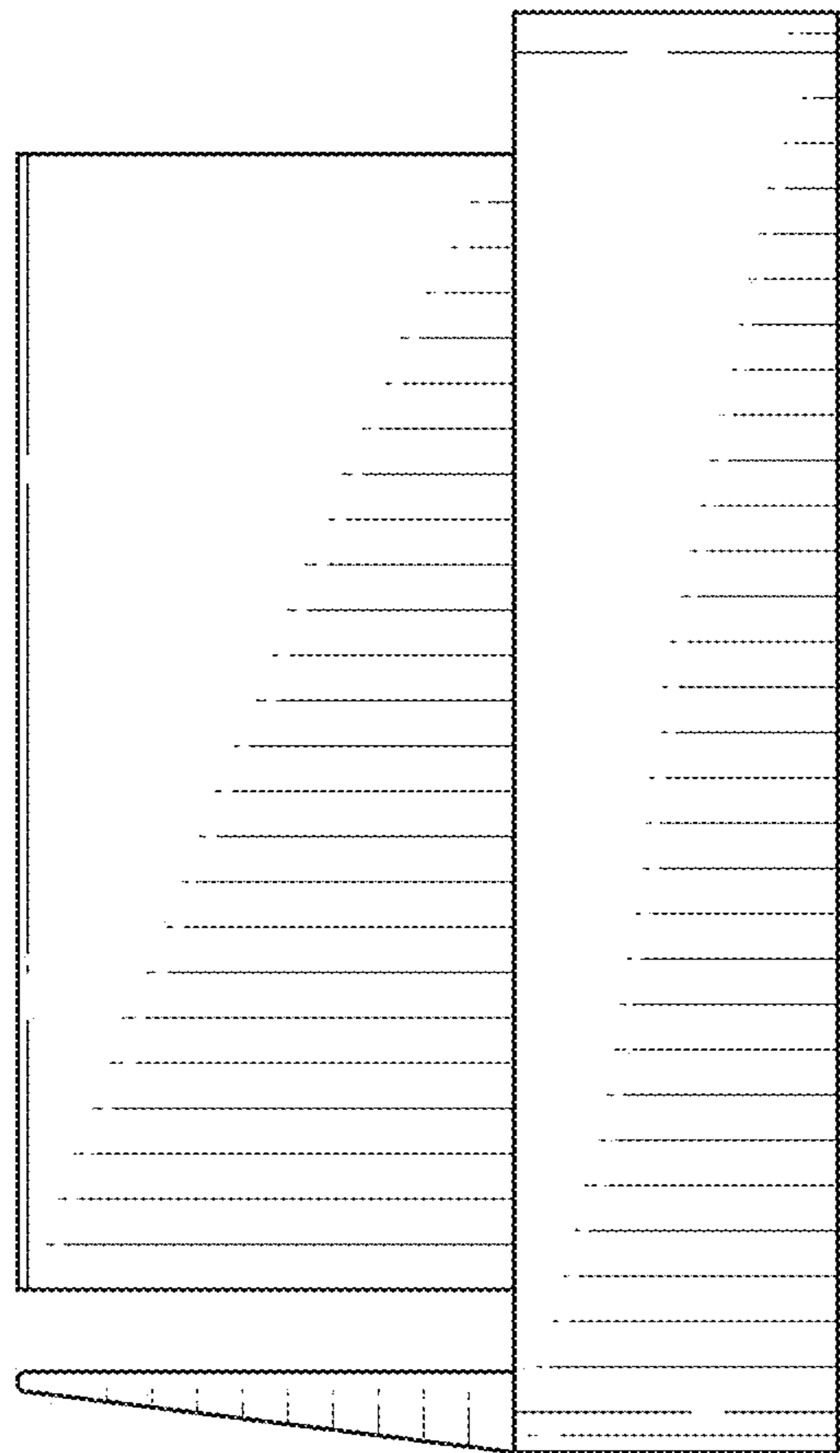


FIG. 5

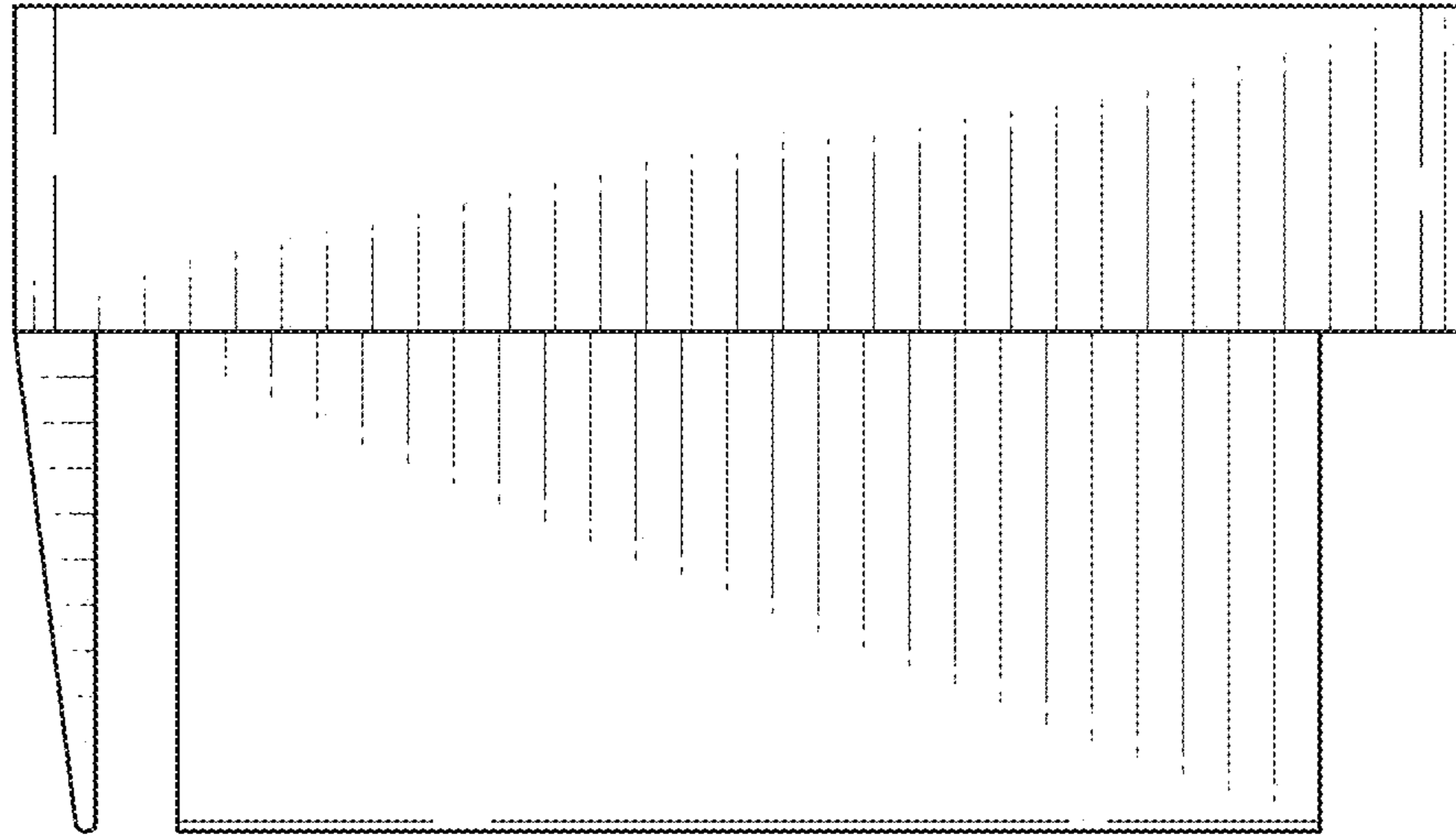


FIG. 6

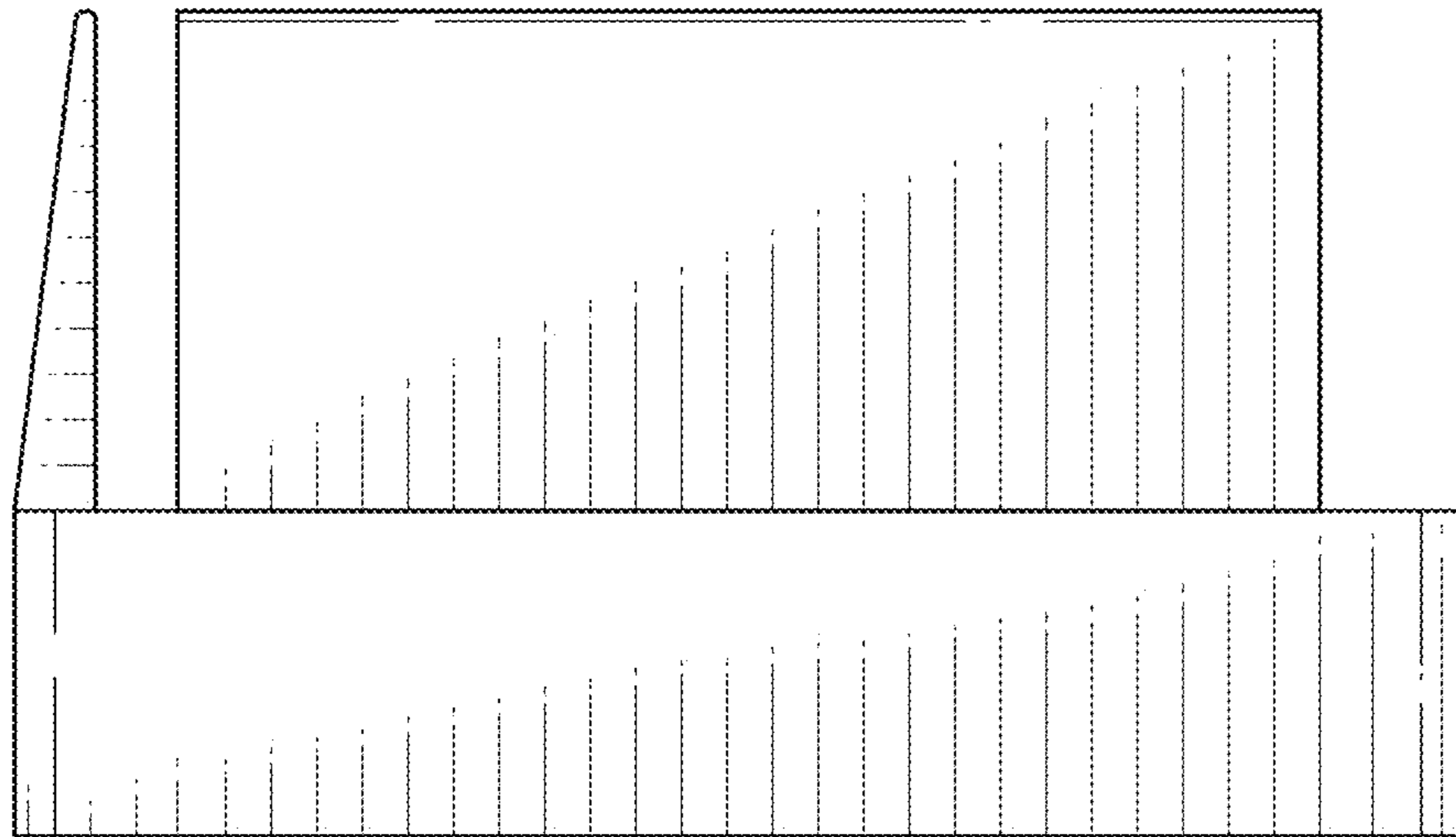


FIG. 7