

US00D962828S

(12) **United States Design Patent** (10) **Patent No.:** **US D962,828 S**  
**Chen** (45) **Date of Patent:** **\*\* Sep. 6, 2022**

(54) **ELECTRIC BICYCLE**

(71) Applicant: **Qiang Chen**, Guangzhou (CN)

(72) Inventor: **Qiang Chen**, Guangzhou (CN)

(\*\*) Term: **15 Years**

(21) Appl. No.: **29/723,002**

(22) Filed: **Feb. 4, 2020**

(51) **LOC (13) Cl.** ..... **12-11**

(52) **U.S. Cl.**  
USPC ..... **D12/111**

(58) **Field of Classification Search**  
USPC ..... D12/110, 111, 117; D21/412, 414, 419,  
D21/423-428, 431-435  
CPC ..... B62K 3/00; B62K 3/02; B62K 3/06  
See application file for complete search history.

(56) **References Cited**

**U.S. PATENT DOCUMENTS**

7,963,357 B2 *	6/2011	Gulas	.....	B62K 25/283 180/206.5
D670,208 S *	11/2012	Frenzel	.....	D12/111
D774,972 S *	12/2016	Lambri	.....	D12/111
D797,609 S *	9/2017	Gonzalez-Gancedo Carrillo- Albornoz	.....	D12/111
D847,032 S *	4/2019	Yan	.....	D12/111
D903,532 S *	12/2020	Ma	.....	D12/111
D925,406 S *	7/2021	Lin	.....	D12/111
D937,135 S *	11/2021	Hu	.....	12/111
2013/0001000 A1 *	1/2013	Krieger	.....	B62M 6/45 180/206.3
2020/0062342 A1 *	2/2020	Talavasek	.....	B62M 6/40

**OTHER PUBLICATIONS**

“M-550 P7 Electric Fat Bike” Addmotor., posted date Jan. 27, 2021 [online], [retrieved on Dec. 5, 2021], Retrieved from the Internet <<https://www.addmotor.com/products/m-550-p7>> (Year: 2021).\*  
“AVENTURE Ebike” AVENTURE., posted date Apr. 18, 2019 [online], [retrieved on Dec. 5, 2021]. Retrieved from the Internet <<https://www.aventon.com/collections/ebikes/products/aventure-ebike>> (Year: 2019).\*  
“AddMotor750W Motan M-550 P7 Fat Tire Electric Bike” Addmotor., posted date Mar. 27, 2021 [online], [retrieved on Dec. 5, 2021]. Retrieved from the Internet <<https://www.bikeberry.com/products/addmotor-750w-motan-m-550-p7-fat-tire>> (Year: 2021).\*

\* cited by examiner

*Primary Examiner* — Darlington Ly  
*Assistant Examiner* — Nasim Abdulaziz Ali  
(74) *Attorney, Agent, or Firm* — Rumi Ranjit Kanakia

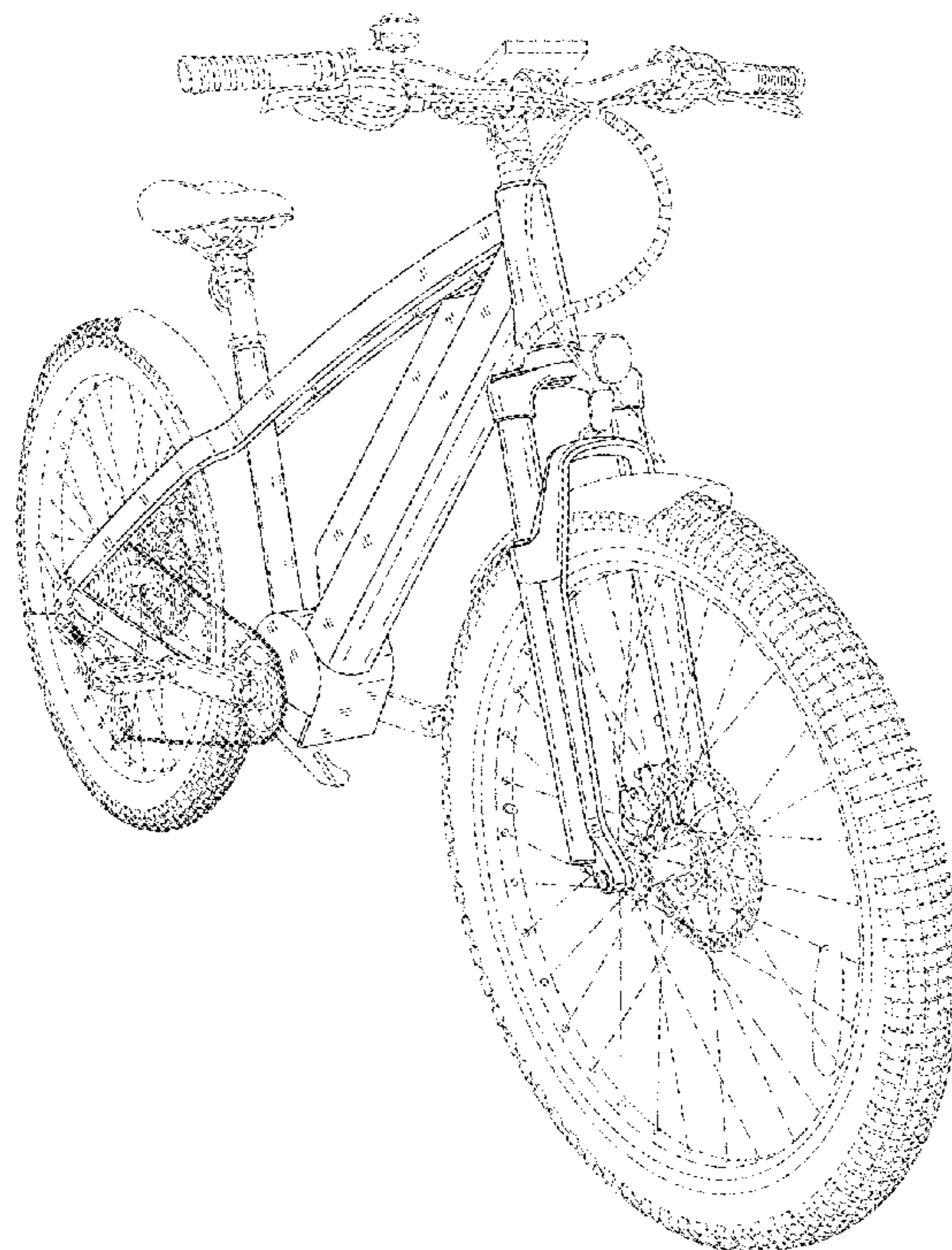
(57) **CLAIM**

I claim the ornamental design for an electric bicycle, as shown and described.

**DESCRIPTION**

FIG. 1 is a front perspective view of an electric bicycle showing my new design;  
FIG. 2 is a front elevation view thereof;  
FIG. 3 is a rear elevation view thereof;  
FIG. 4 is a right-side elevation view thereof;  
FIG. 5 is a left-side elevation view thereof;  
FIG. 6 is a top plan view thereof; and,  
FIG. 7 is a bottom plan view thereof.  
The broken lines in the drawings illustrate portions of the electric bicycle that form no part of the claimed design.

**1 Claim, 7 Drawing Sheets**





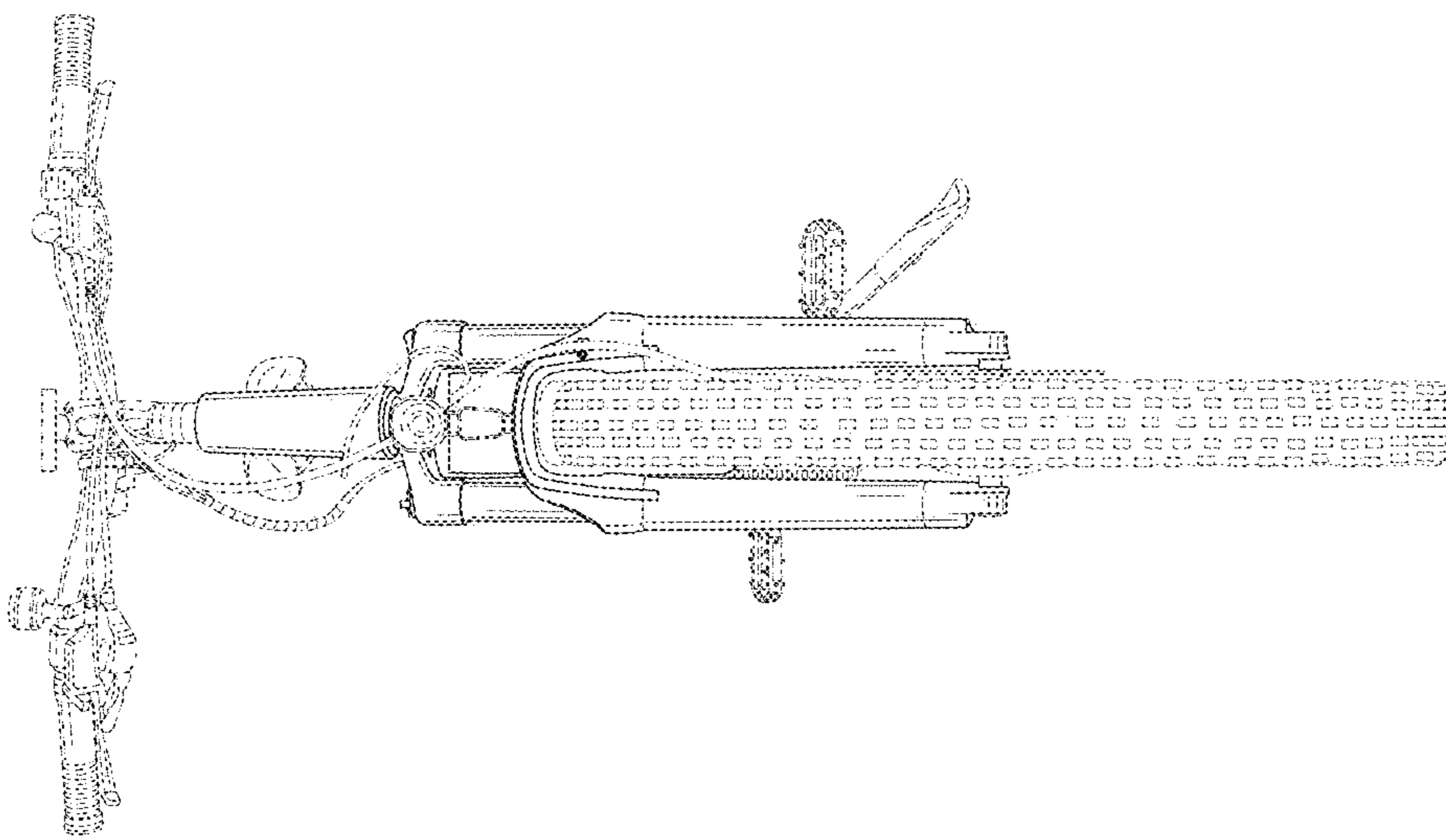


FIG. 2

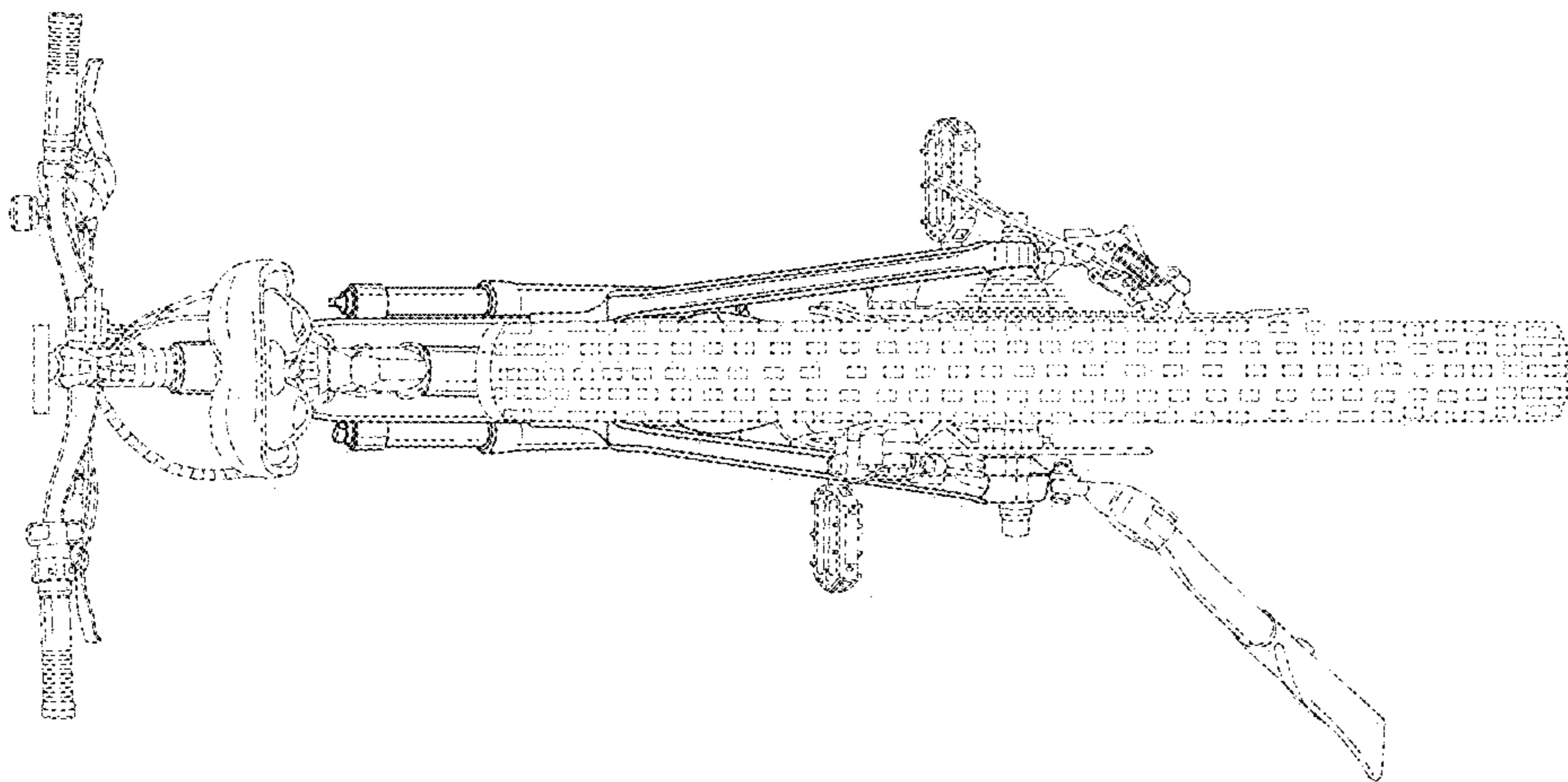


FIG. 3

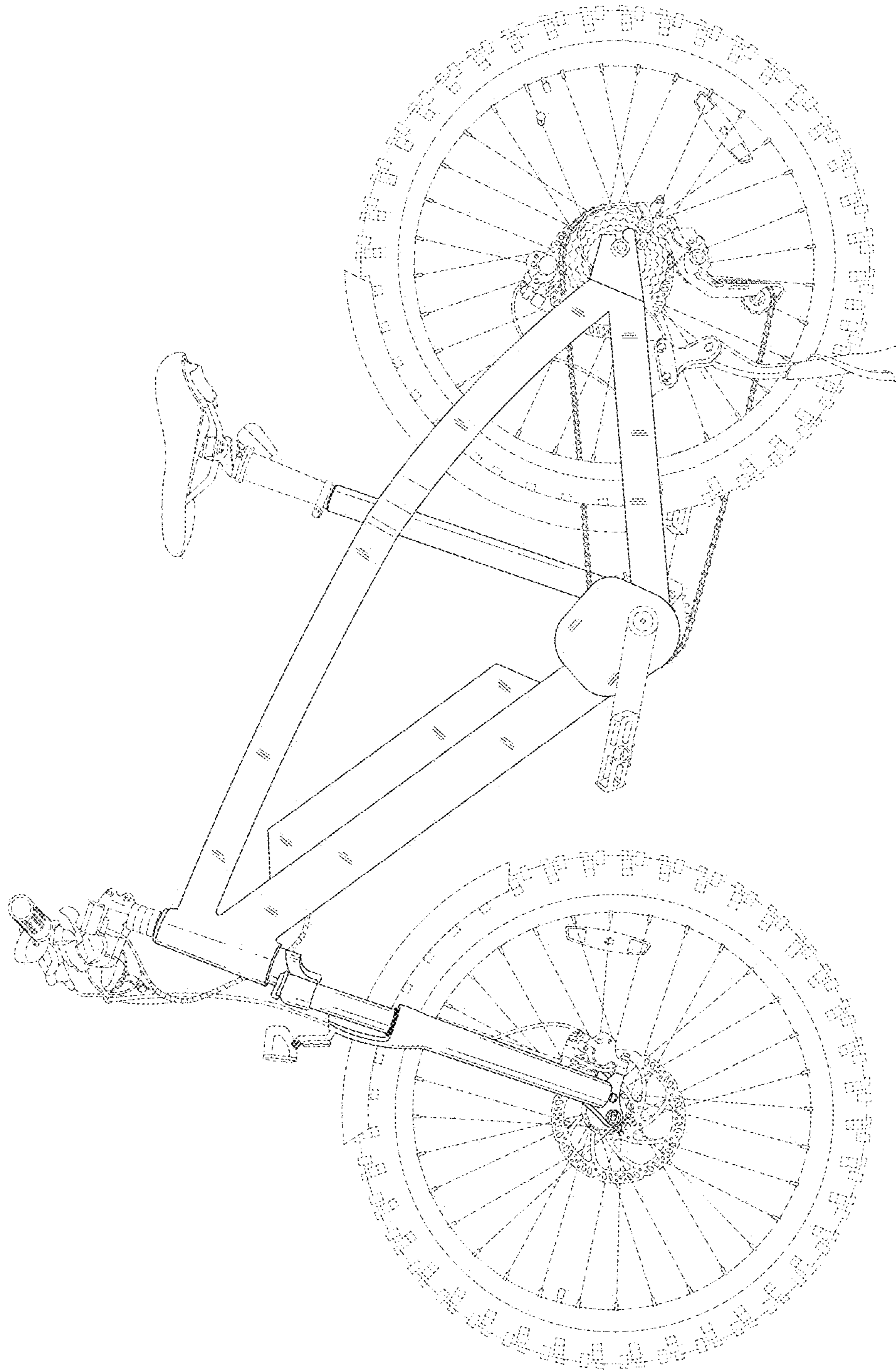


FIG. 4

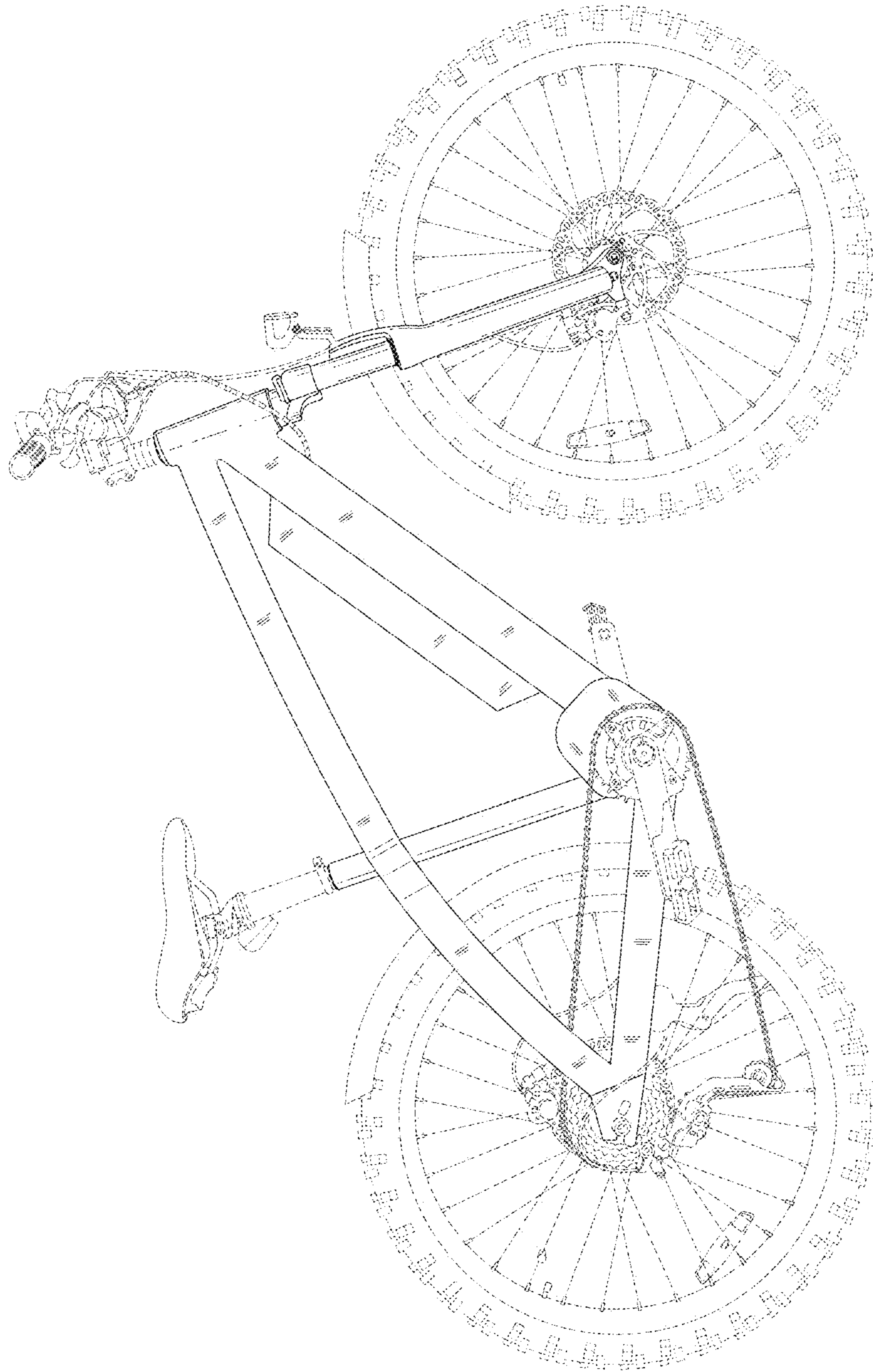


FIG. 5

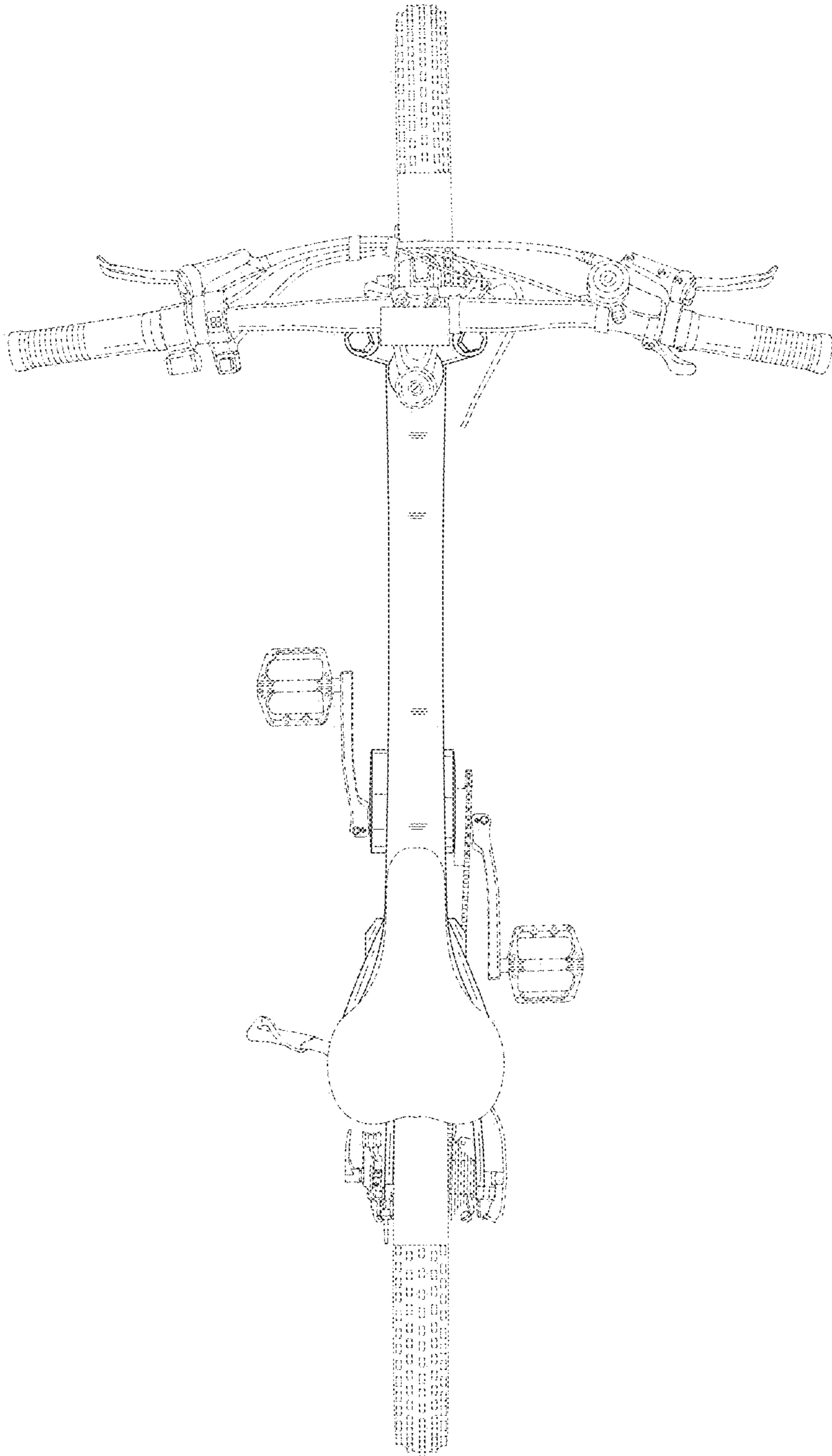


FIG. 6

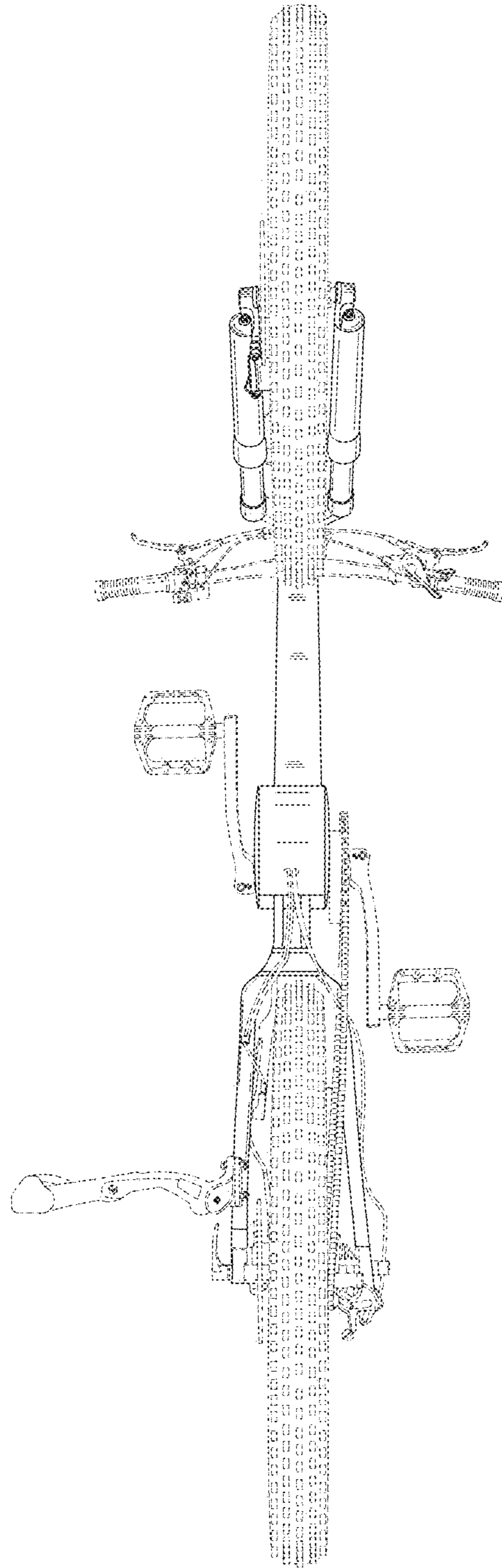


FIG. 7