



US00D962827S

(12) **United States Design Patent** (10) **Patent No.:** **US D962,827 S**
Larsen et al. (45) **Date of Patent:** **** Sep. 6, 2022**

(54) **EXPANDABLE HARDSHELL TENT**
(71) Applicant: **Roam Adventure Co.**, Show Low, AZ (US)

(72) Inventors: **Michael Larsen**, Show Low, AZ (US);
Luke Metzger, Show Low, AZ (US);
Nicholas Mazzanti, Show Low, AZ (US)

(73) Assignee: **Roam Adventure Co.**, Show Low, AZ (US)

(**) Term: **15 Years**

(21) Appl. No.: **29/818,028**

(22) Filed: **Dec. 6, 2021**

(51) **LOC (13) Cl.** **12-16**

(52) **U.S. Cl.**
USPC **D12/104**

(58) **Field of Classification Search**
USPC D12/401-405; D6/610, 611, 596, 601,
D6/602, 603, 615, 617, 621; D7/332,
D7/334-337

CPC B65D 85/68; B65D 31/16; B65D 33/02;
B60R 5/04; B60R 5/045; B60P 7/04
See application file for complete search history.

(56) **References Cited**

U.S. PATENT DOCUMENTS

D583,747 S	12/2008	Napieraj	
D749,686 S	2/2016	Gilmore	
D775,296 S	12/2016	Shir	
D778,383 S	2/2017	Xu	
D820,192 S	6/2018	Currid	
D824,474 S	7/2018	Xiao	
D940,479 S *	1/2022	Liang	D6/601
D941,060 S *	1/2022	Kong	D6/601
D941,062 S *	1/2022	Marsh	D6/601
D941,076 S *	1/2022	West	D7/332
D946,313 S *	3/2022	Xiao	D6/611

D947,096 S *	3/2022	Rudolph	D12/401
D949,619 S *	4/2022	Bodum	D7/352
D950,297 S *	5/2022	Jiang	D7/337
D950,979 S *	5/2022	Rifelj	D6/601
D951,848 S *	5/2022	Gozzi	D12/401

* cited by examiner

Primary Examiner — Katrina A Betton

(74) *Attorney, Agent, or Firm* — Houda El-Jarrah; Bold IP, PLLC

(57) **CLAIM**

The ornamental design for the expandable hardshell tent, as shown and as described.

DESCRIPTION

FIG. 1 is a front perspective view of a first embodiment of the expandable hardshell tent showing our new design in the closed position;

FIG. 2 is a top view thereof;

FIG. 3 is a bottom view thereof;

FIG. 4 is a left side view thereof;

FIG. 5 is a right side view thereof;

FIG. 6 is a front side thereof; and

FIG. 7 is a back side view thereof;

FIG. 8 is a front perspective view of the expandable hardshell tent in the expanded position showing our new design in the open position;

FIG. 9 is a top view thereof;

FIG. 10 is a bottom view thereof;

FIG. 11 is a left side view thereof;

FIG. 12 is a right side view thereof;

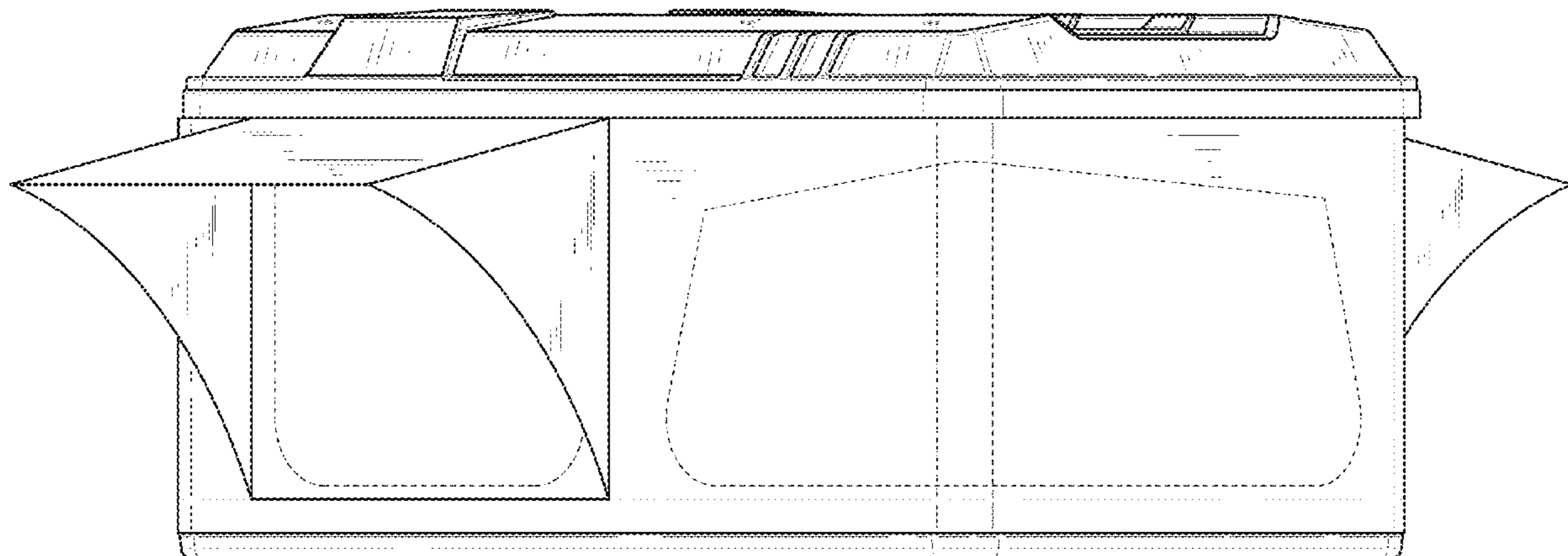
FIG. 13 is a front view thereof;

FIG. 14 is a back view thereof; and,

FIG. 15 is a view of the expandable hardshell tent in an open position above a vehicle showing the expandable hardshell tent in use.

The broken lines shown in the Figures illustrate environmental structure and form no part of the claimed design.

1 Claim, 13 Drawing Sheets



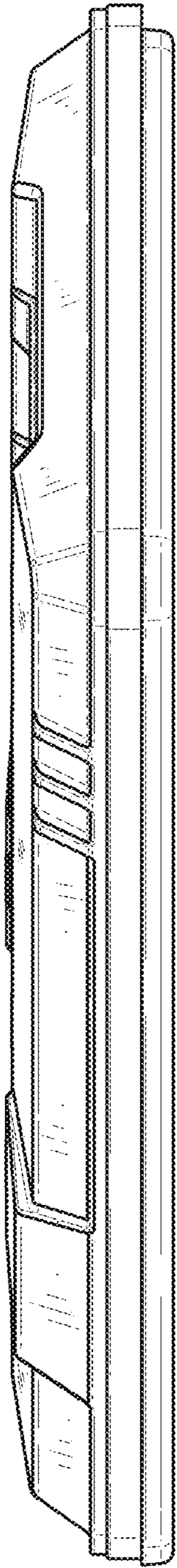


Fig. 1

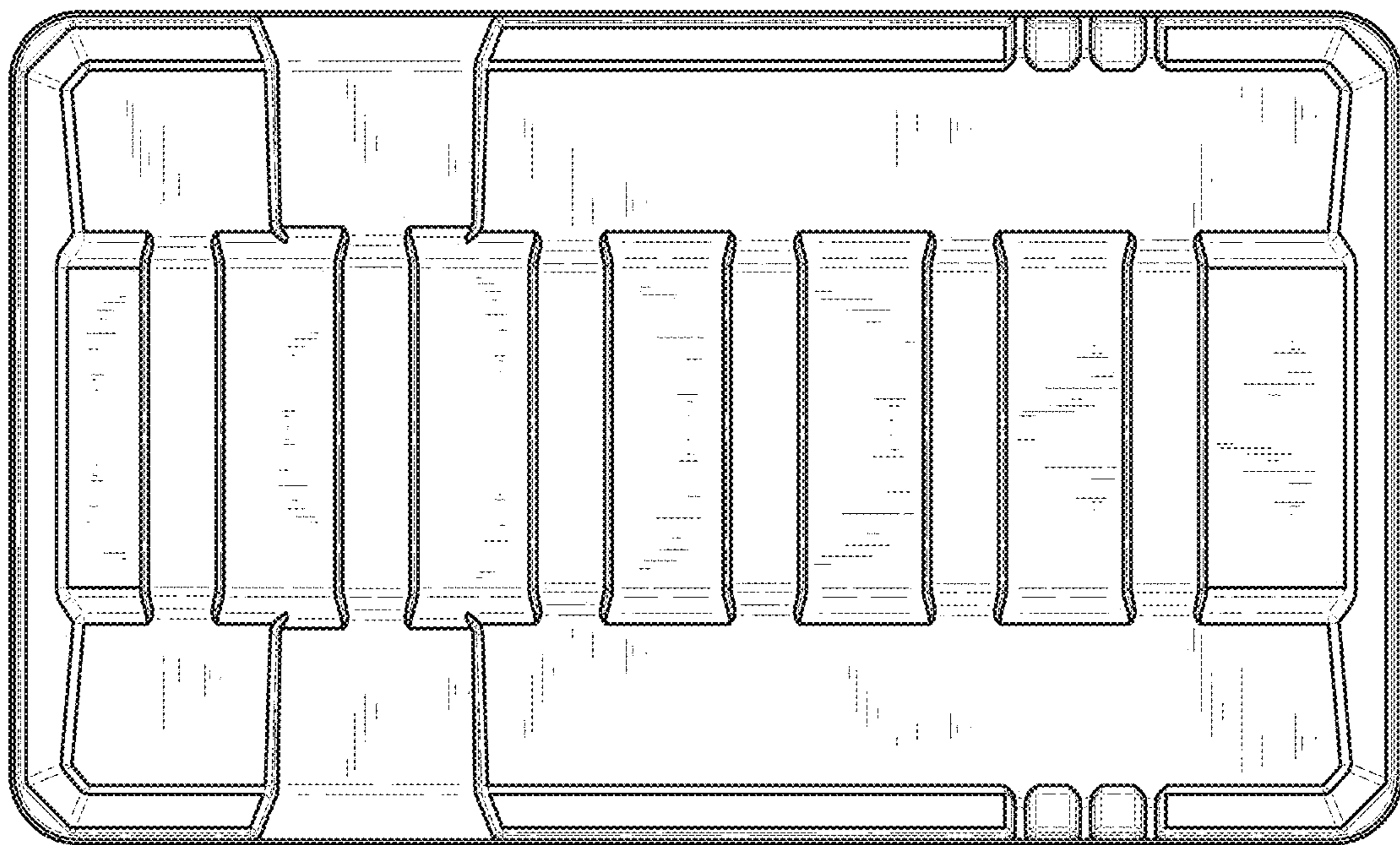


Fig. 2

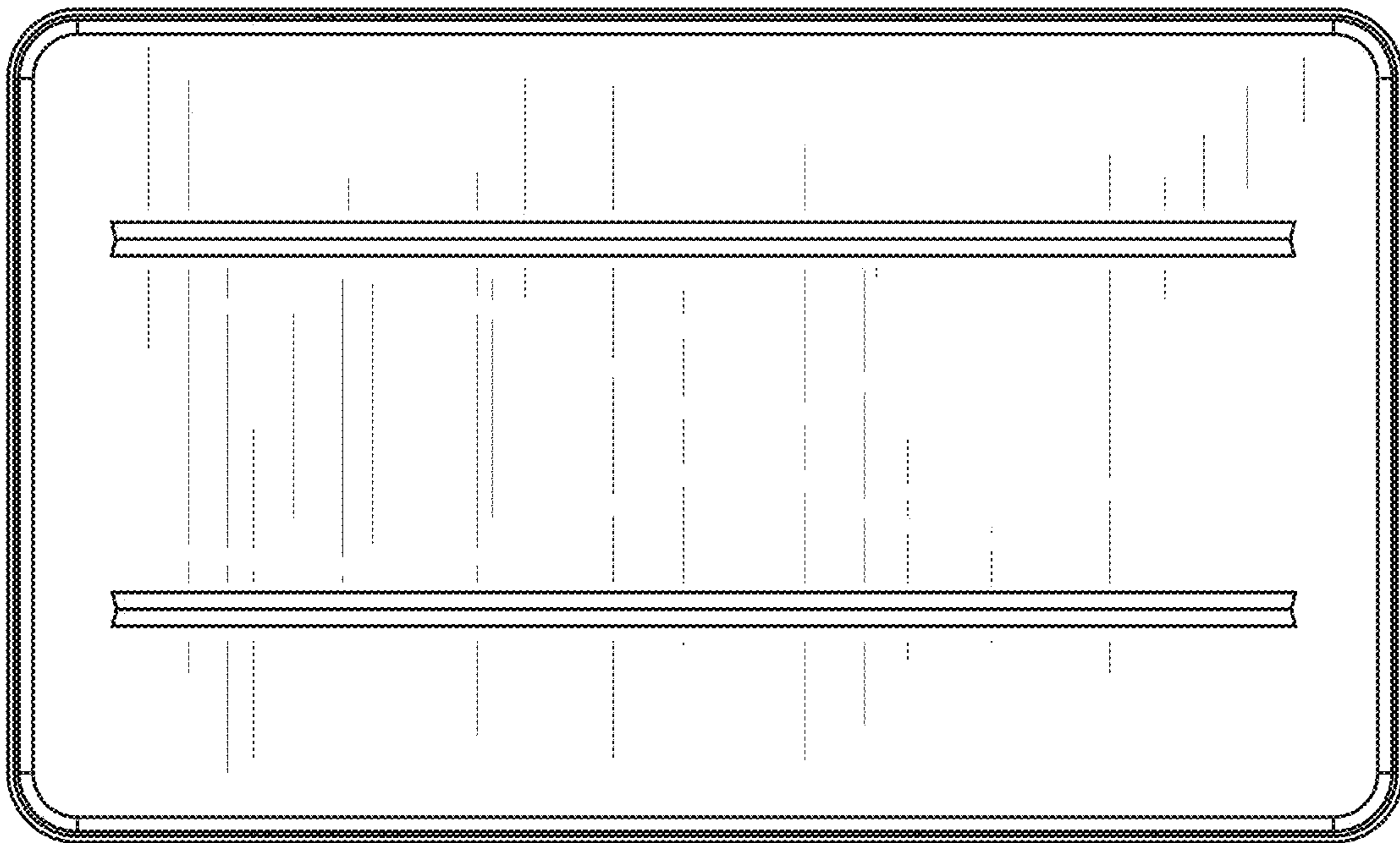


Fig. 3

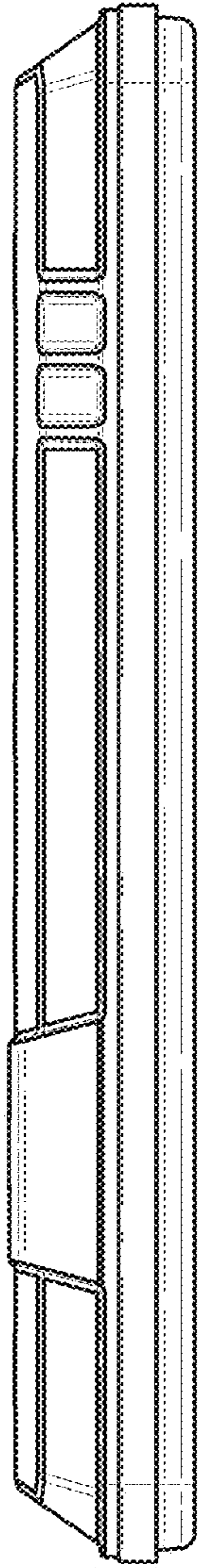


Fig. 4

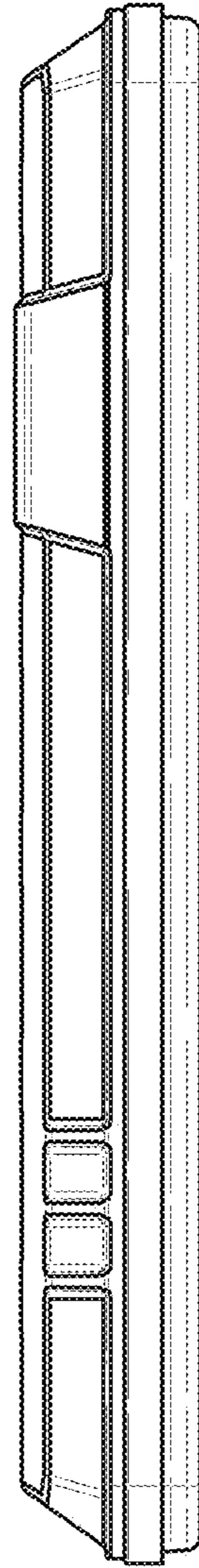


Fig. 5

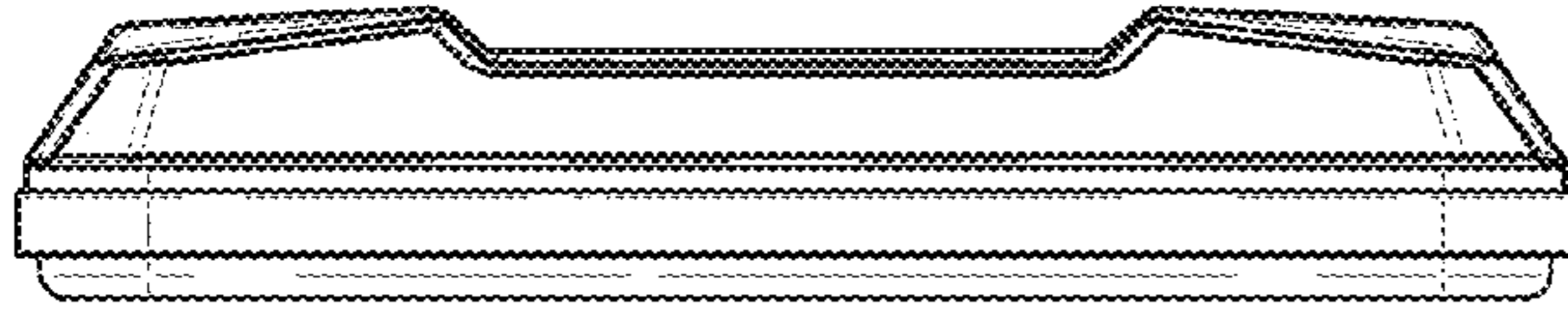


Fig. 6

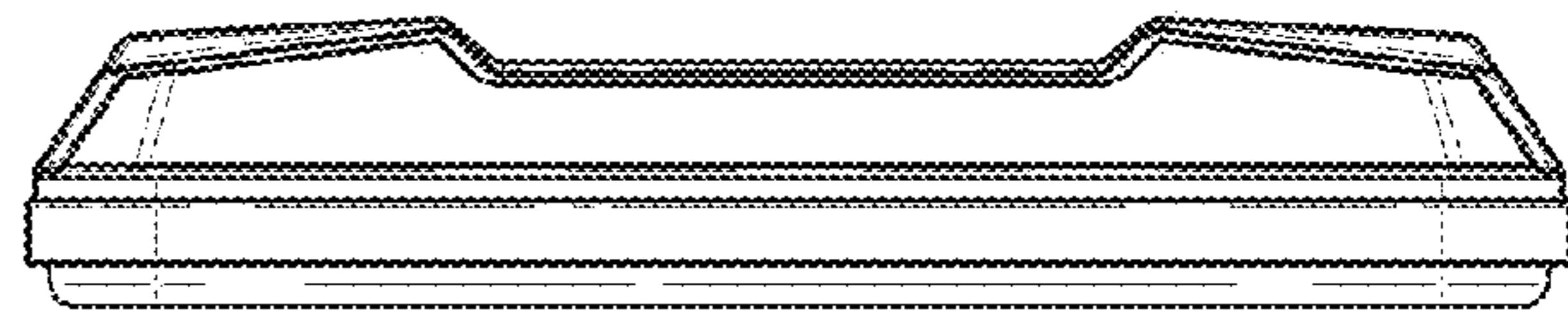


Fig. 7

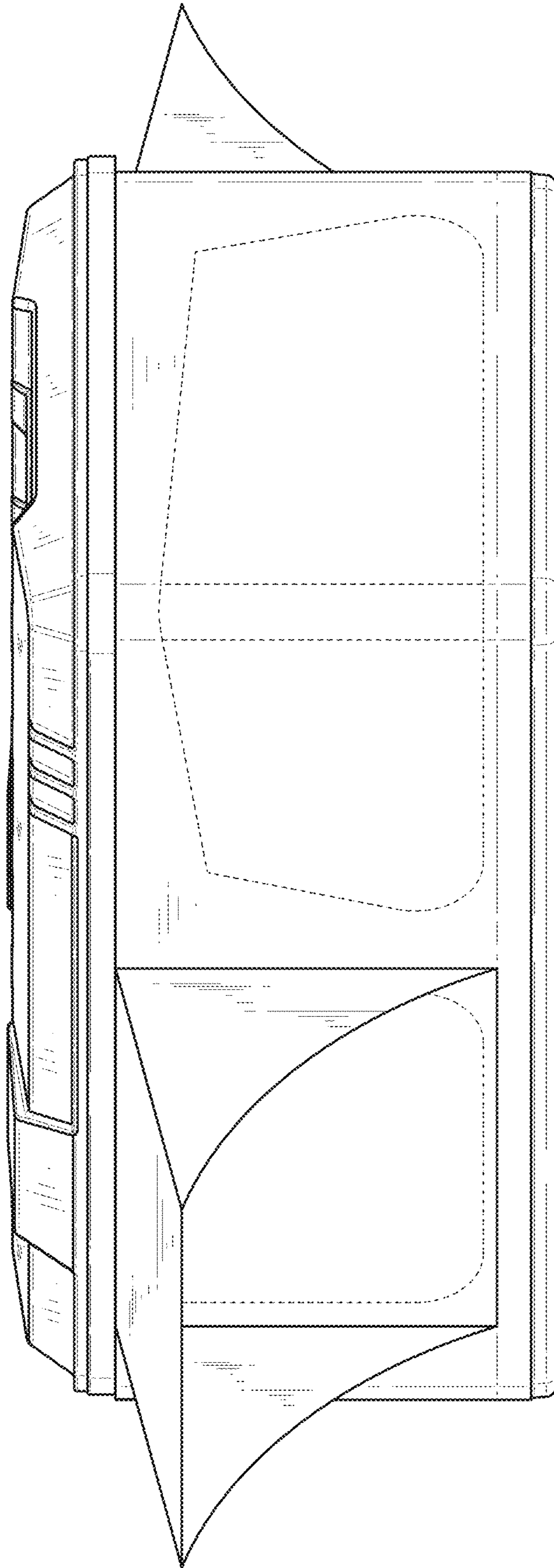


Fig. 8

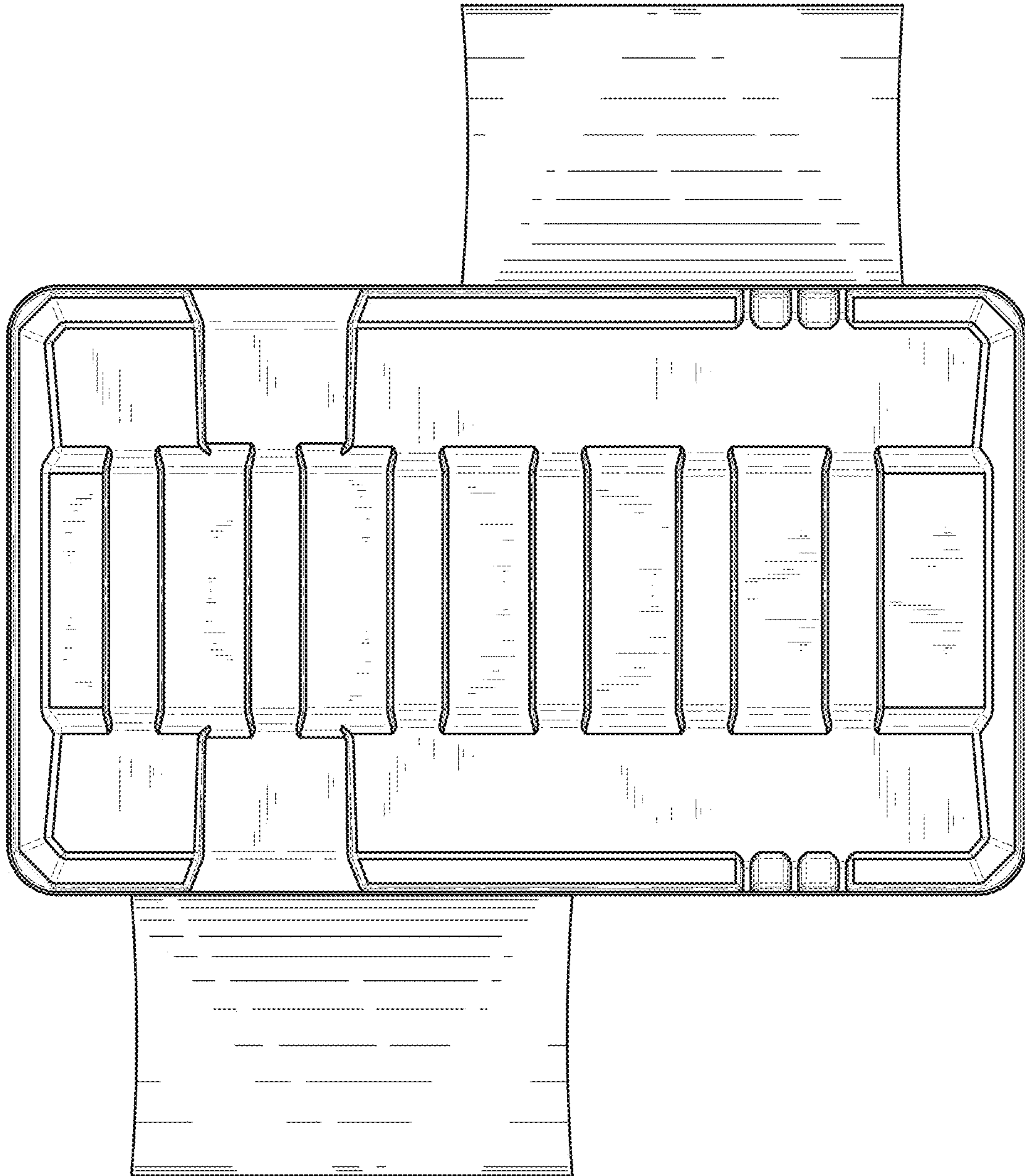


Fig. 9

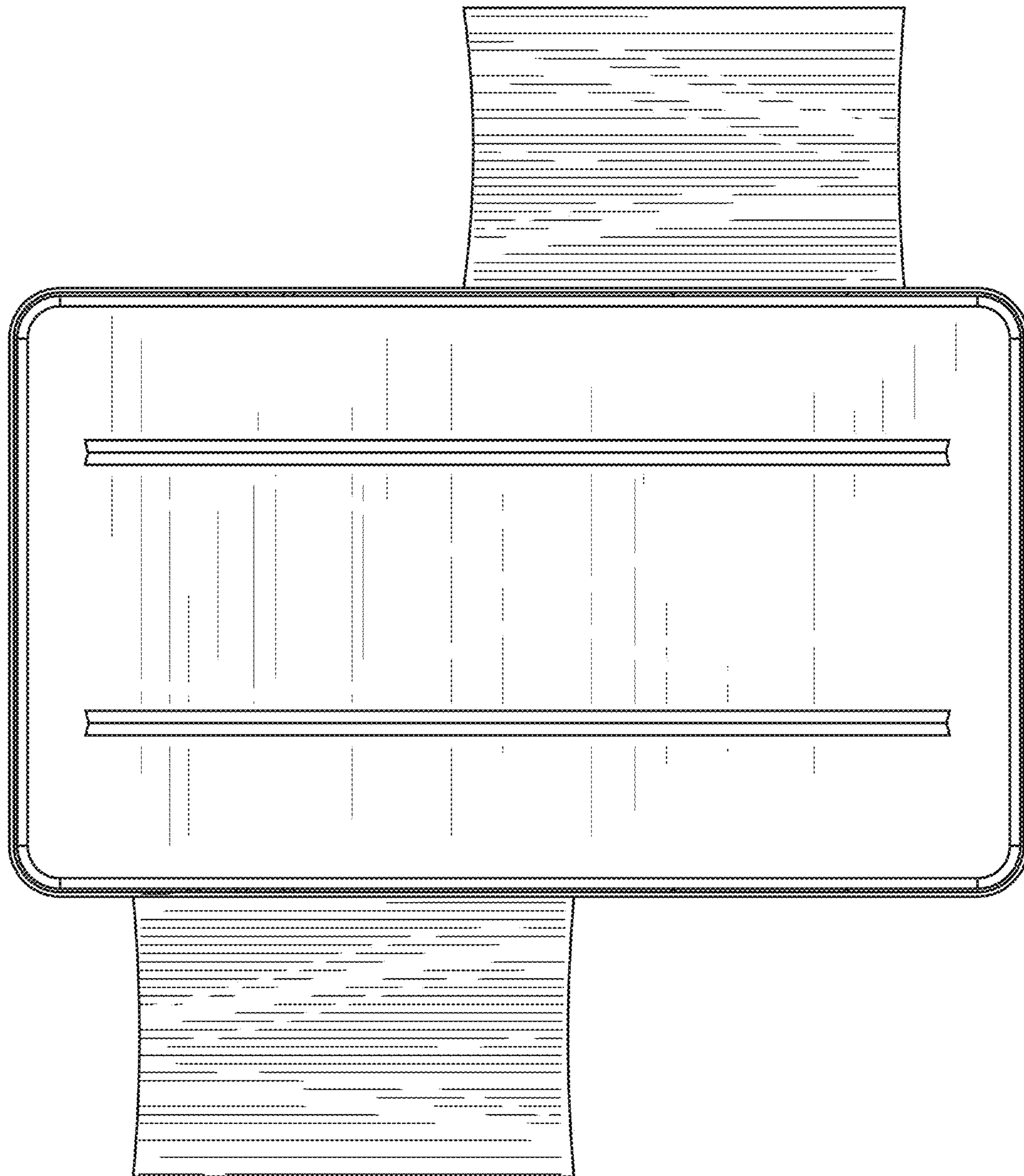


Fig. 10

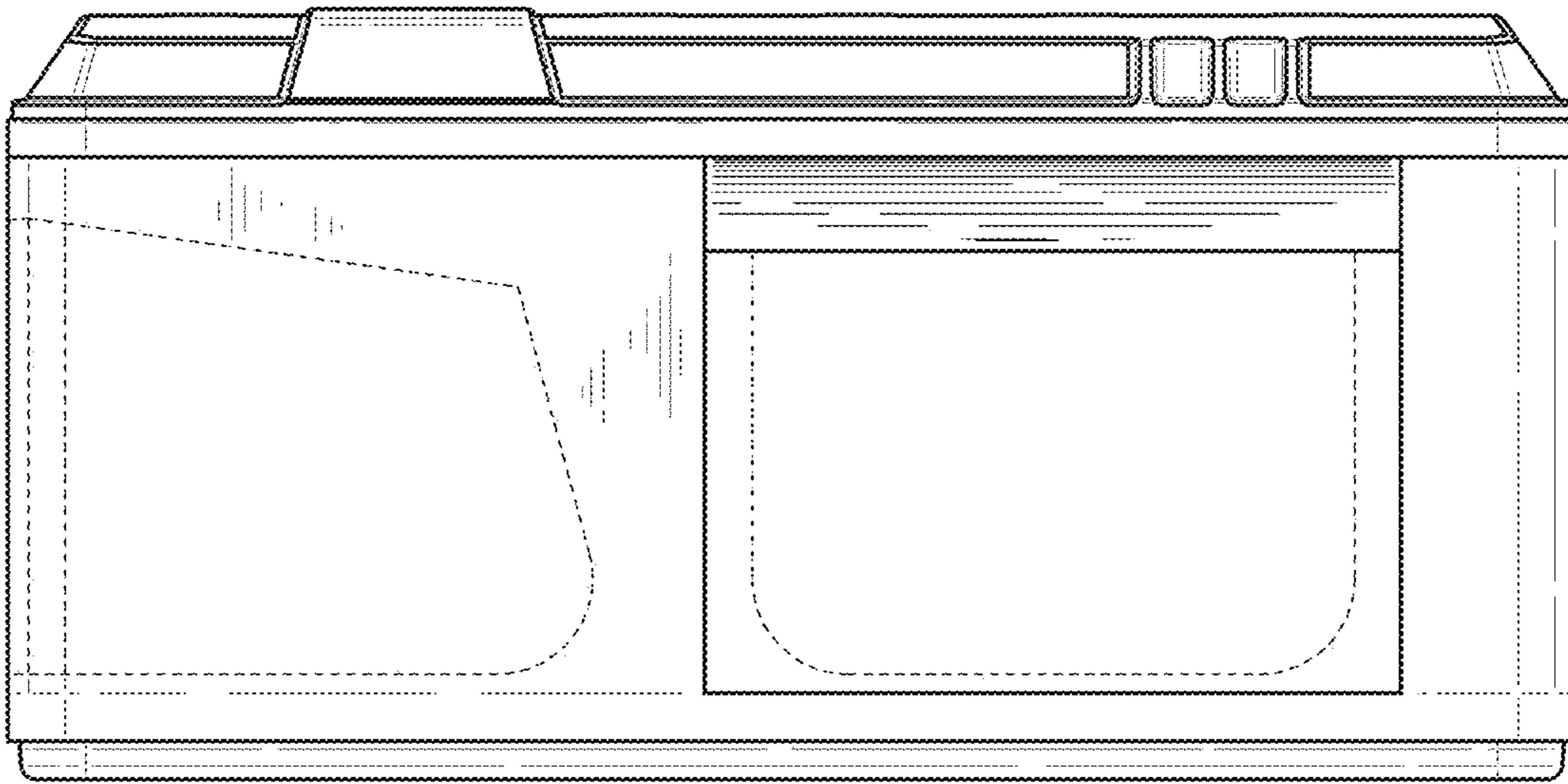


Fig. 11

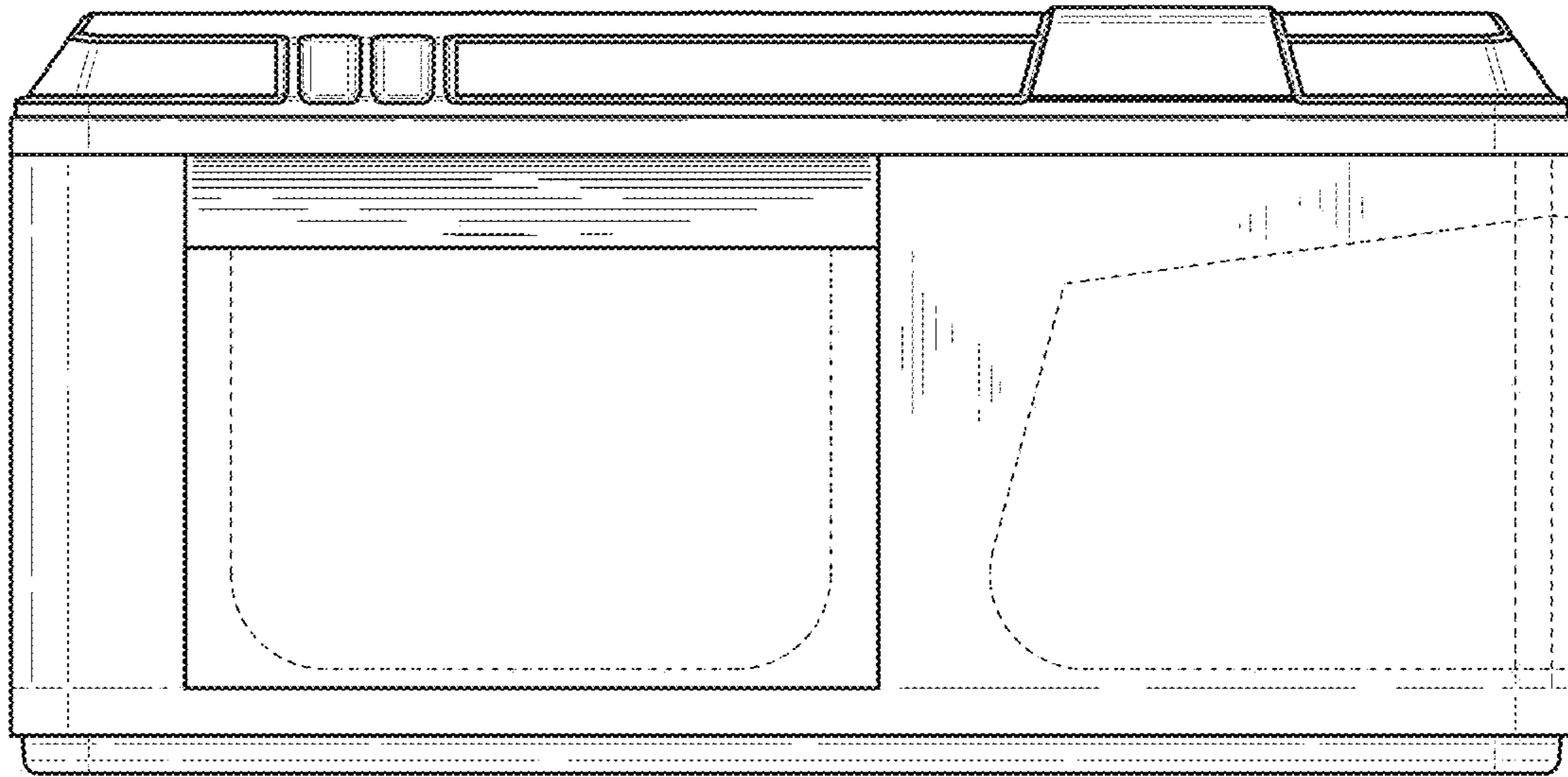


Fig. 12

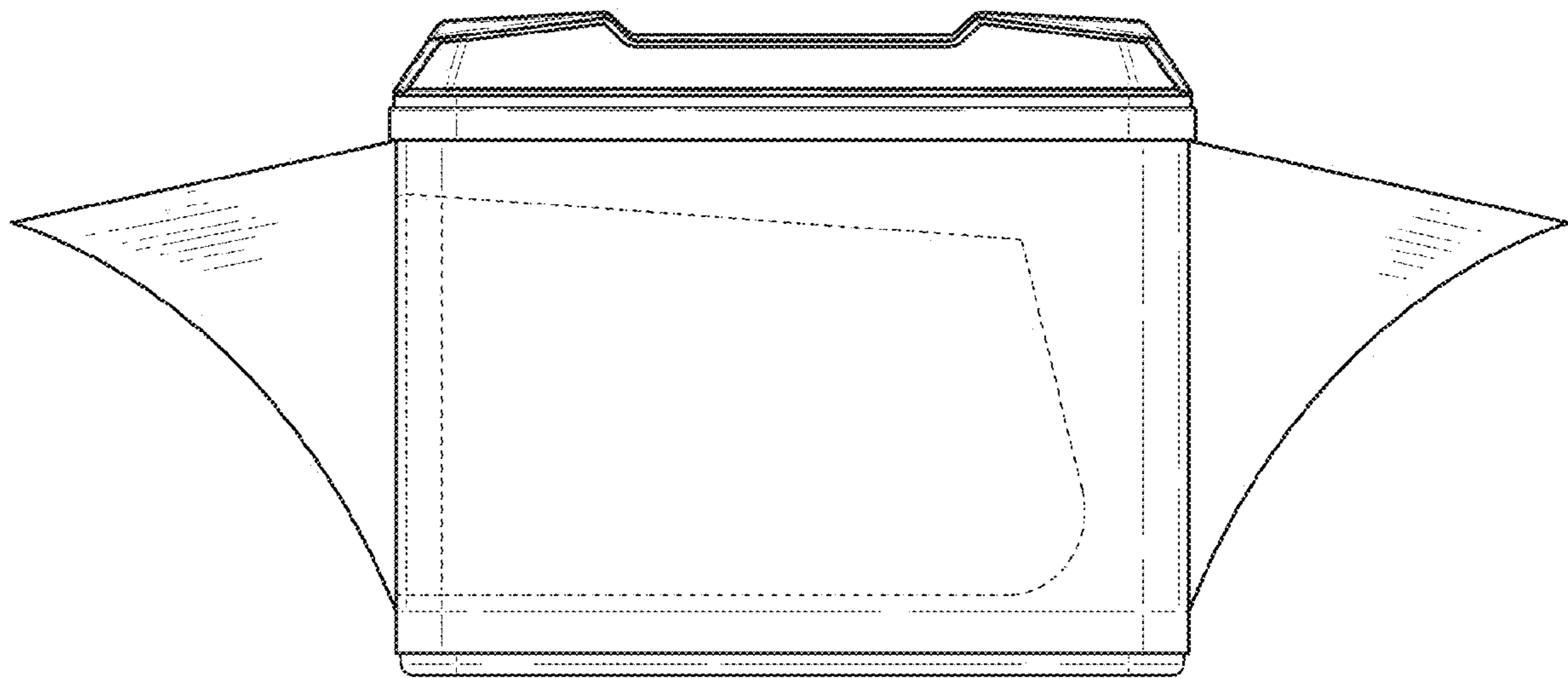


Fig. 13

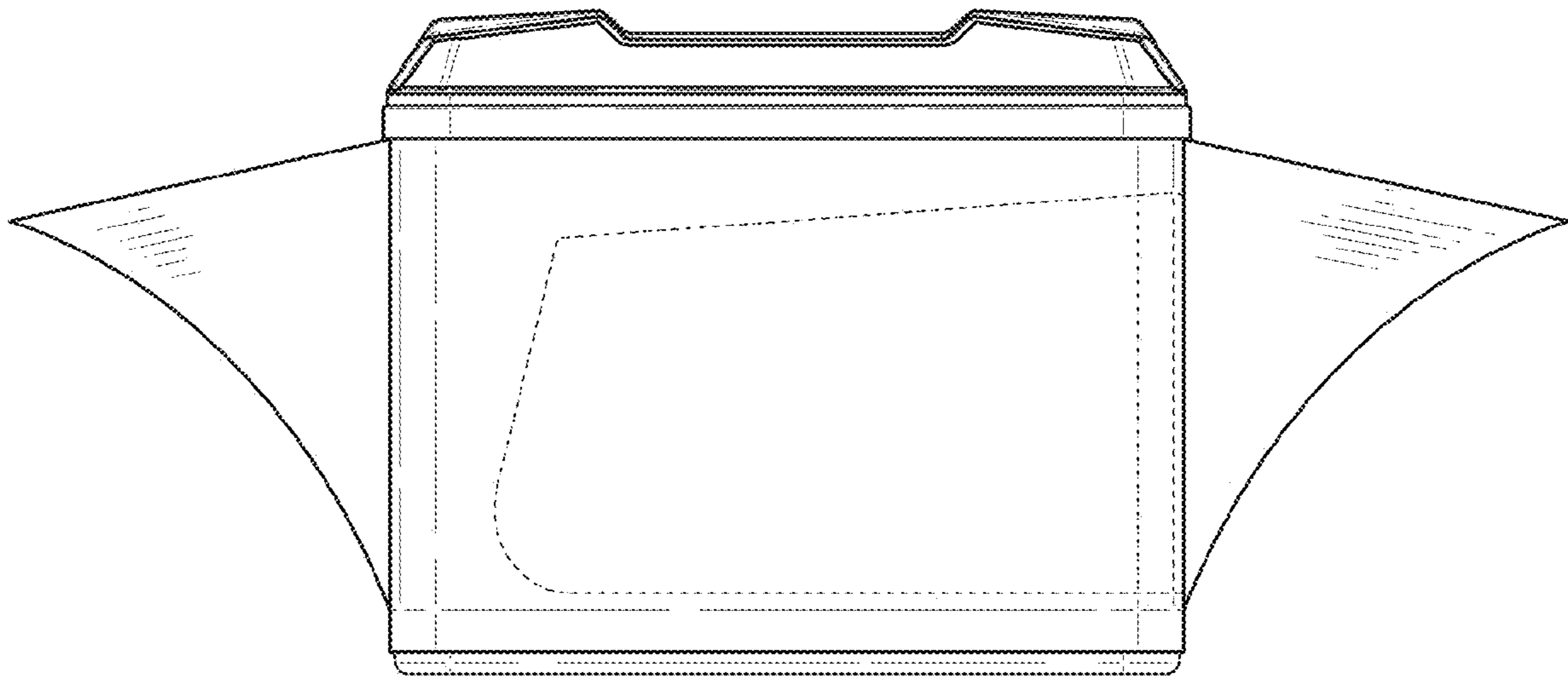


Fig. 14

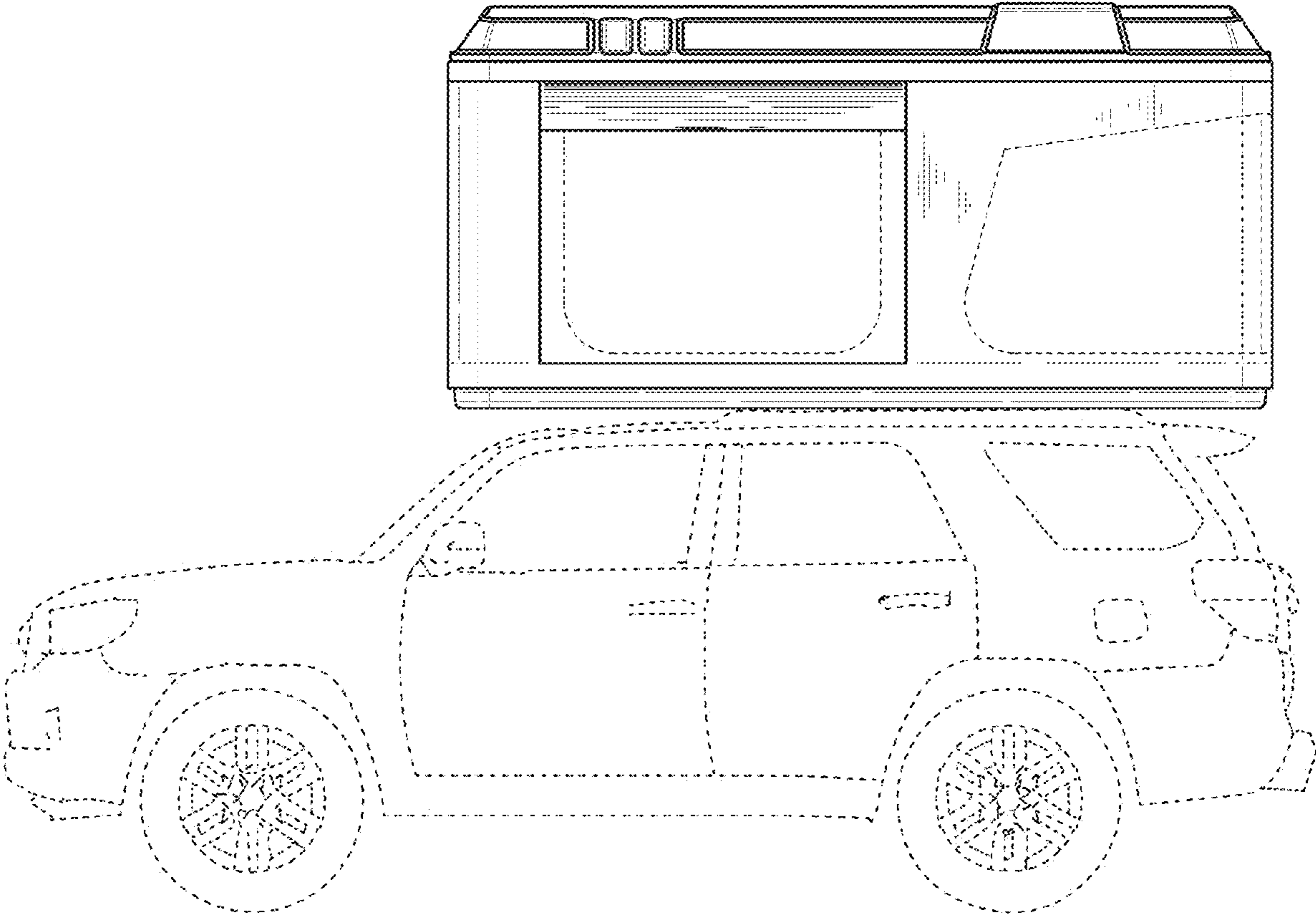


Fig. 15