

US00D962825S

(12) **United States Design Patent** (10) **Patent No.:** **US D962,825 S**
Badstuebner et al. (45) **Date of Patent:** **** Sep. 6, 2022**

(54) **MOTOR VEHICLE BODY, TOY REPLICA,
AND/OR OTHER REPLICA**

(71) Applicant: **Daimler AG**, Stuttgart (DE)

(72) Inventors: **Achim-Dietrich Badstuebner**,
Sindelfingen (DE); **Lukas Haag**, Nice
(FR); **Holger Hutzenlaub**, Boeblingen
(DE); **Steffen Koehl**, Stuttgart (DE);
Robert Lesnik, Leonberg (DE);
Gorden Wagener, Wangen (DE);
Sylvain Christophe Wehnert,
Gaertringen (DE)

(73) Assignee: **Daimler AG**, Stuttgart (DE)

(**) Term: **15 Years**

(21) Appl. No.: **29/777,716**

(22) Filed: **Apr. 8, 2021**

(30) **Foreign Application Priority Data**

Oct. 9, 2020 (DE) 402020203520.7

(51) **LOC (13) Cl.** **12-08**

(52) **U.S. Cl.**
USPC **D12/91**

(58) **Field of Classification Search**
USPC D12/86, 90-92, 88; D21/424, 433, 434,
D21/533; 296/181.1-181.5, 183.1
CPC B62D 25/00; B62D 33/00; B62D 35/00
See application file for complete search history.

(56) **References Cited**

U.S. PATENT DOCUMENTS

D608,695 S * 1/2010 Burki D12/91
D827,497 S * 9/2018 Frei D12/91
D862,287 S * 10/2019 Badstuebner D12/91

D867,212 S * 11/2019 Badstuebner D12/91
D873,715 S * 1/2020 Badstuebner D12/91
D873,716 S * 1/2020 Badstuebner D12/91
D886,679 S * 6/2020 Hellwig D12/91
D914,543 S * 3/2021 Badstuebner D12/91
D929,900 S * 9/2021 Badstuebner D12/91
D933,531 S * 10/2021 Badstuebner D12/92

FOREIGN PATENT DOCUMENTS

EM 003463819-0001 5/2019
EM 003463819-0002 5/2019

OTHER PUBLICATIONS

“The new Mercedes-Benz EQC: The Mercedes-Benz among elec-
tric vehicles,” Sep. 4, 2018, 22 pages, Stuttgart, Germany.

* cited by examiner

Primary Examiner — Melody N Brown

(74) *Attorney, Agent, or Firm* — Crowell & Moring LLP

(57) **CLAIM**

The ornamental design for a motor vehicle body, toy replica
and/or other replica, as shown and described.

DESCRIPTION

FIG. 1 is a left, front perspective view of a motor vehicle
body, toy replica and/or other replica according to the
design;

FIG. 2 is a left, rear perspective view thereof;

FIG. 3 is a front view thereof;

FIG. 4 is a rear view thereof;

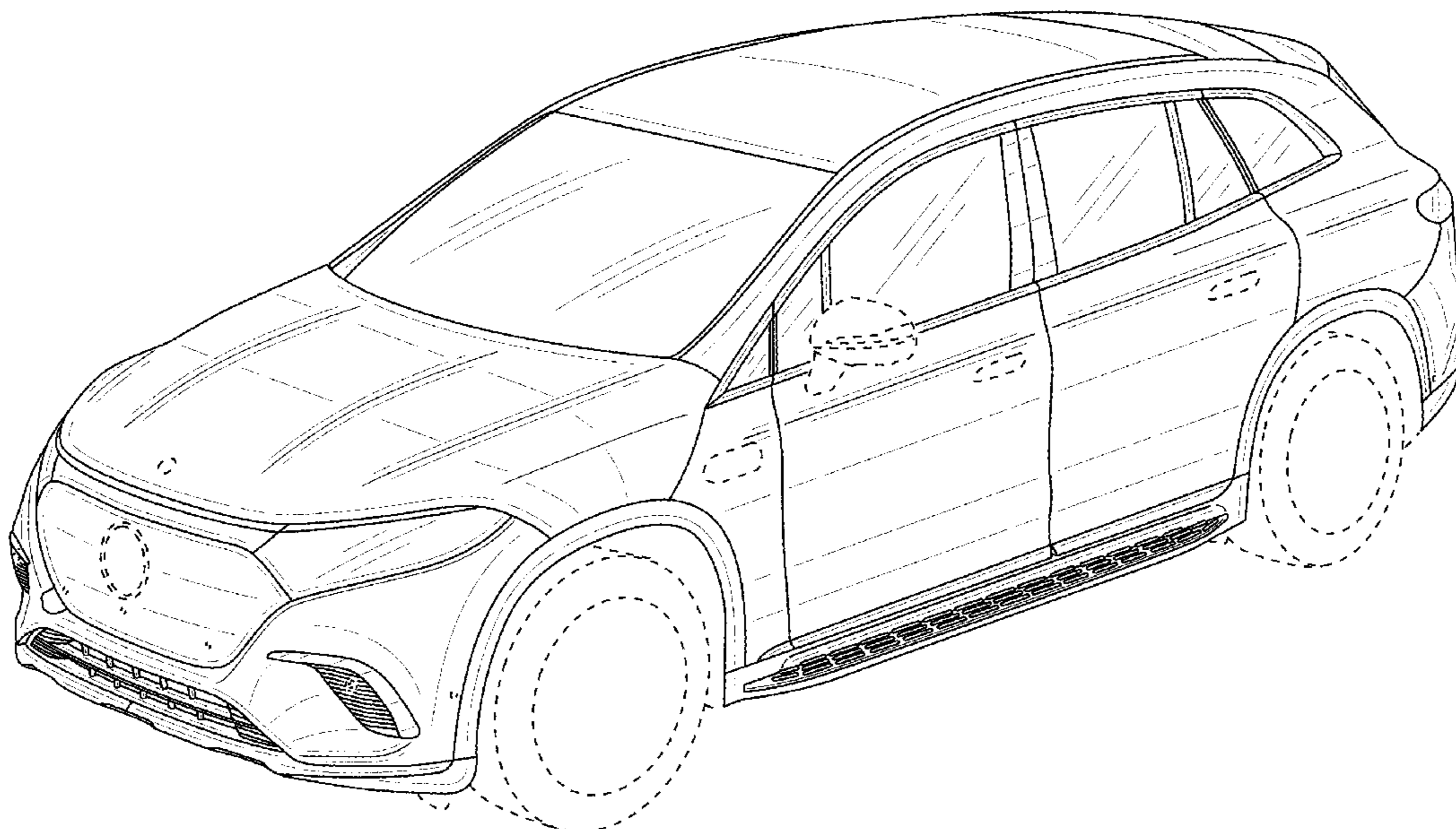
FIG. 5 is a left side view thereof;

FIG. 6 is a right side view thereof; and,

FIG. 7 is a top view thereof.

The broken lines in the drawings illustrate environmental
subject matter only and form no part of the claimed design.

1 Claim, 7 Drawing Sheets



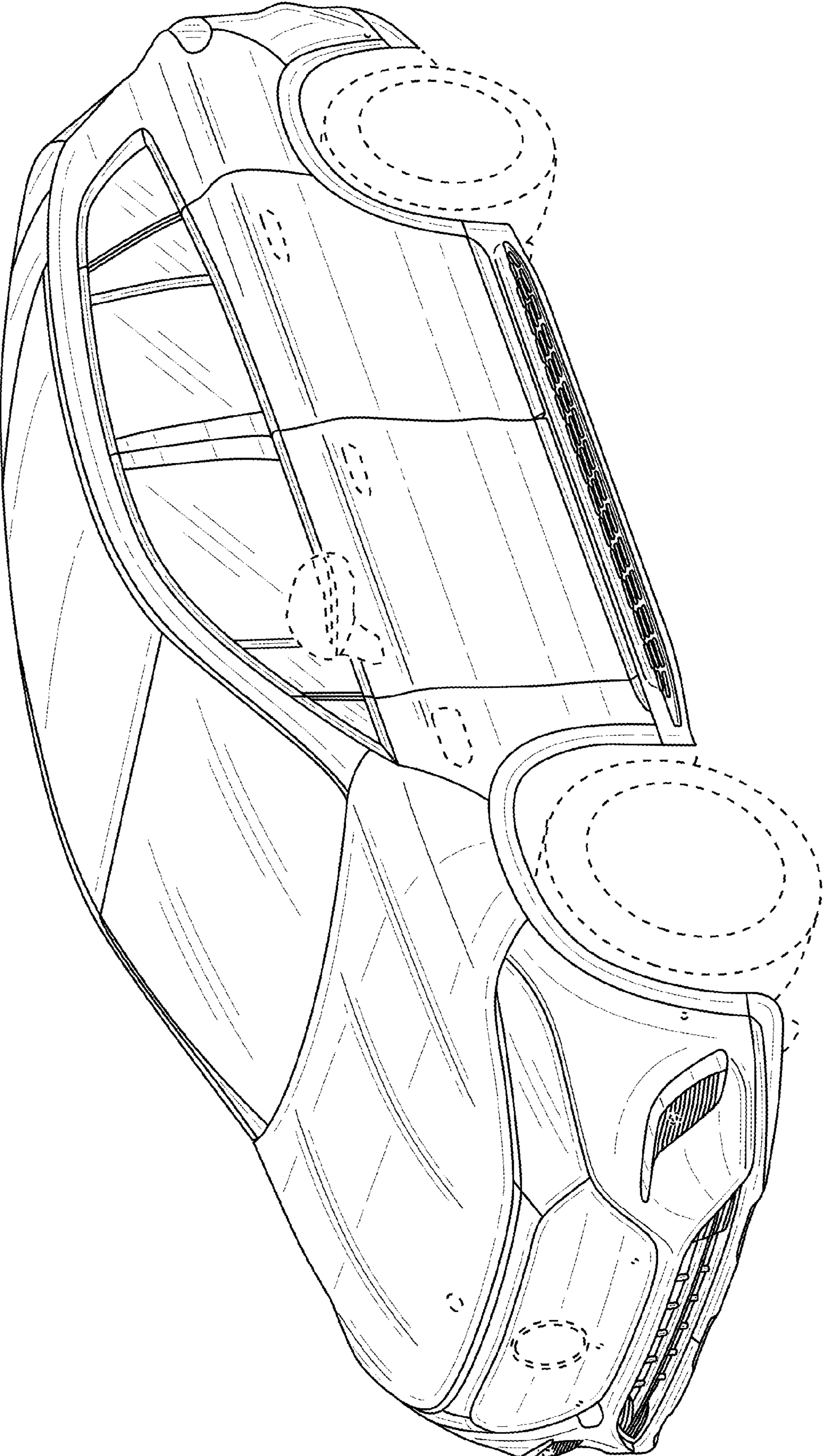


FIG. 1

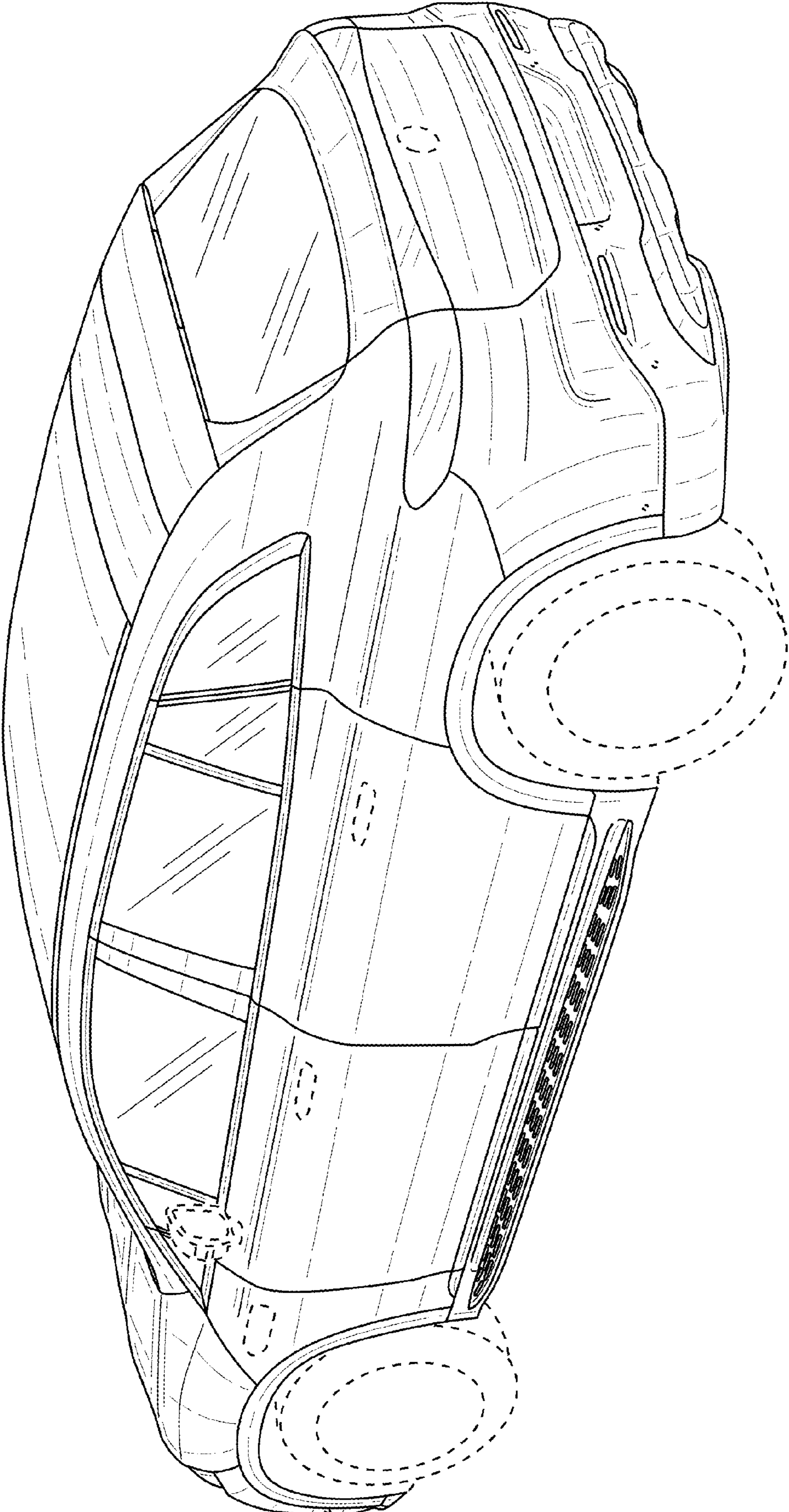


FIG. 2

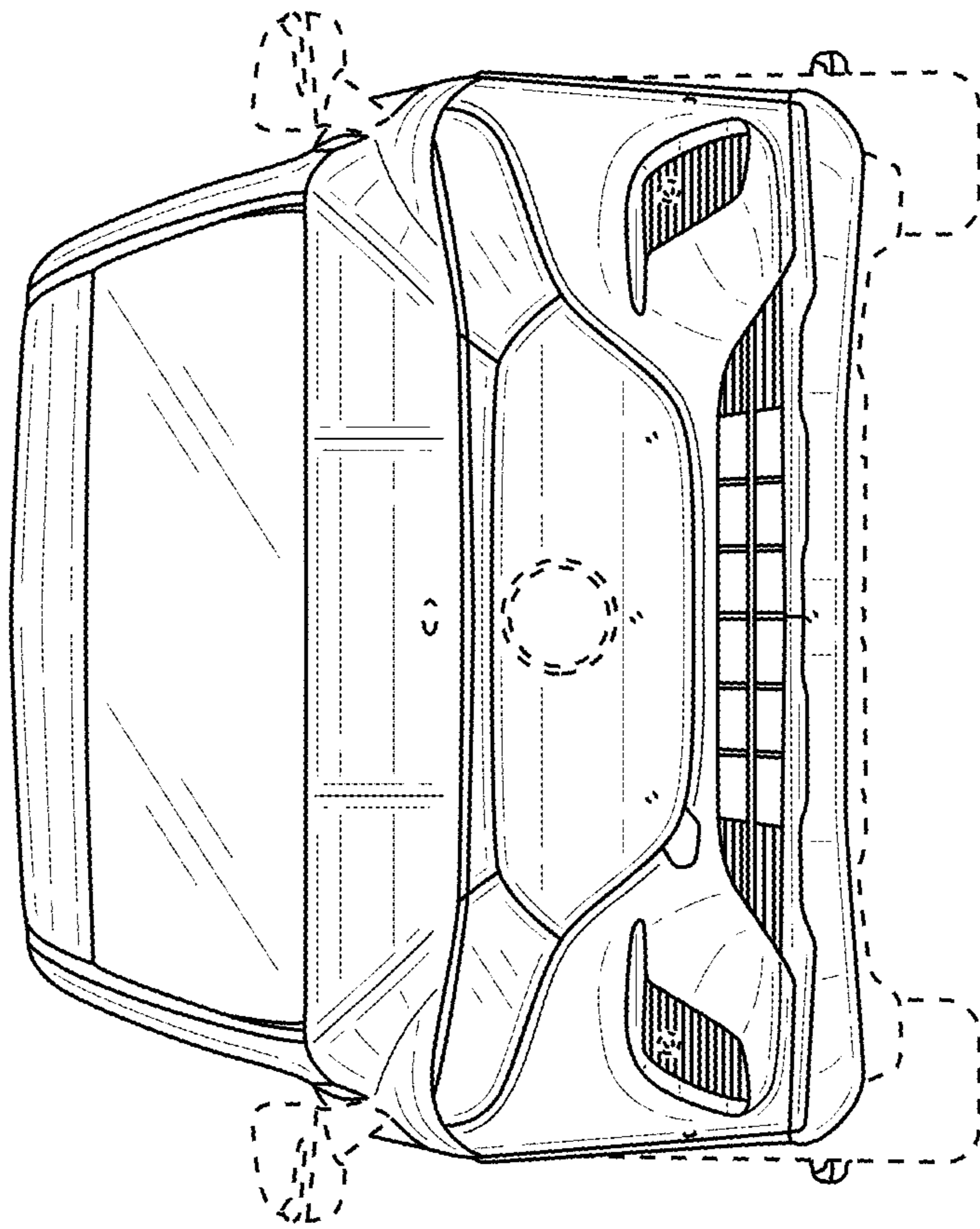


FIG. 3

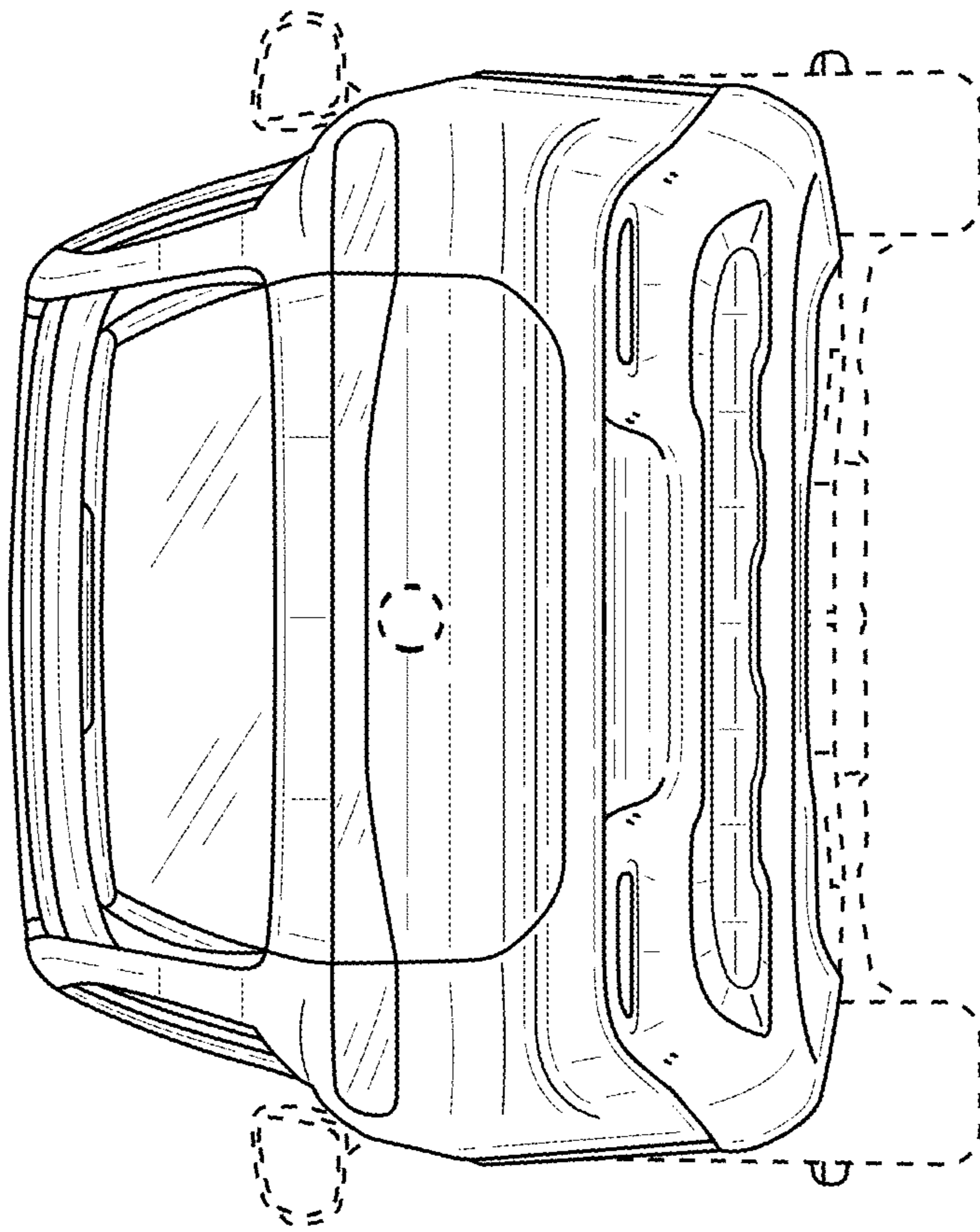


FIG. 4

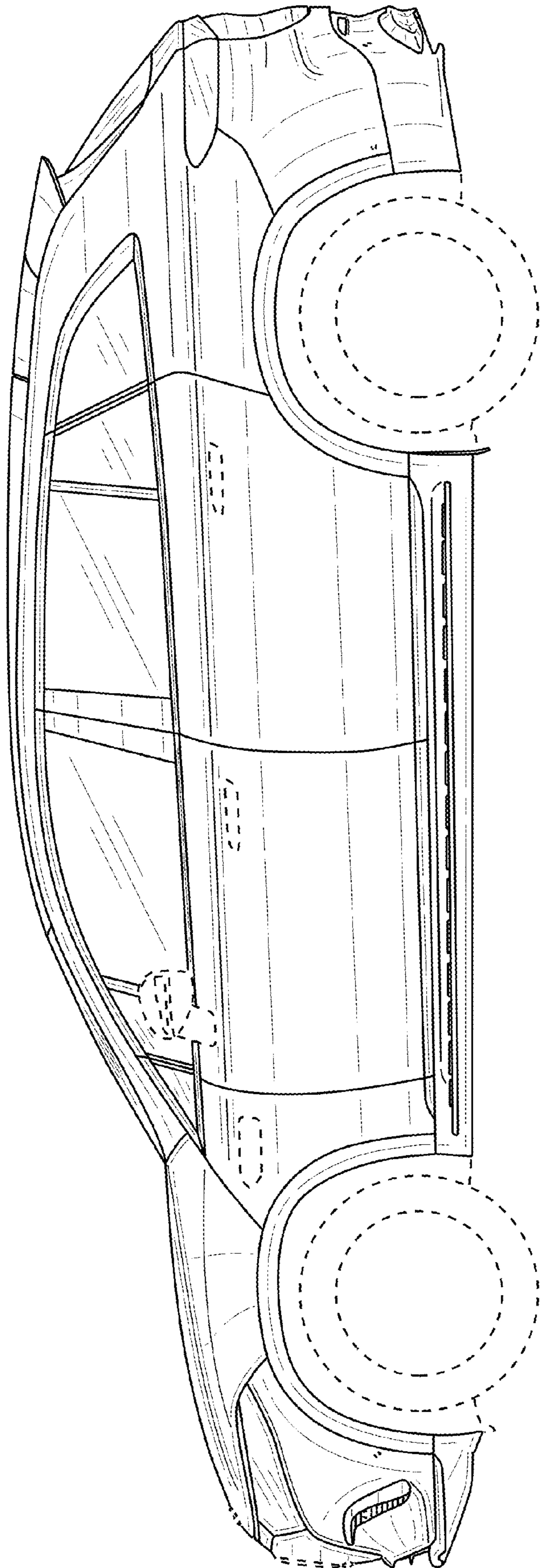


FIG. 5

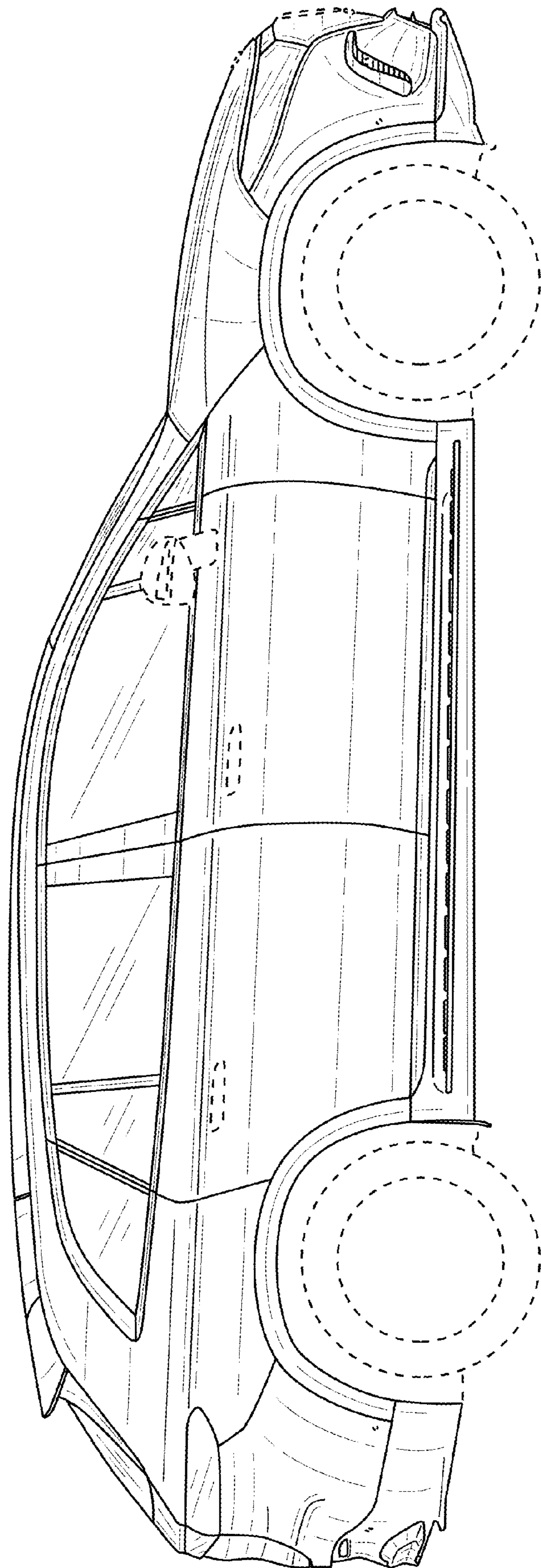


FIG. 6

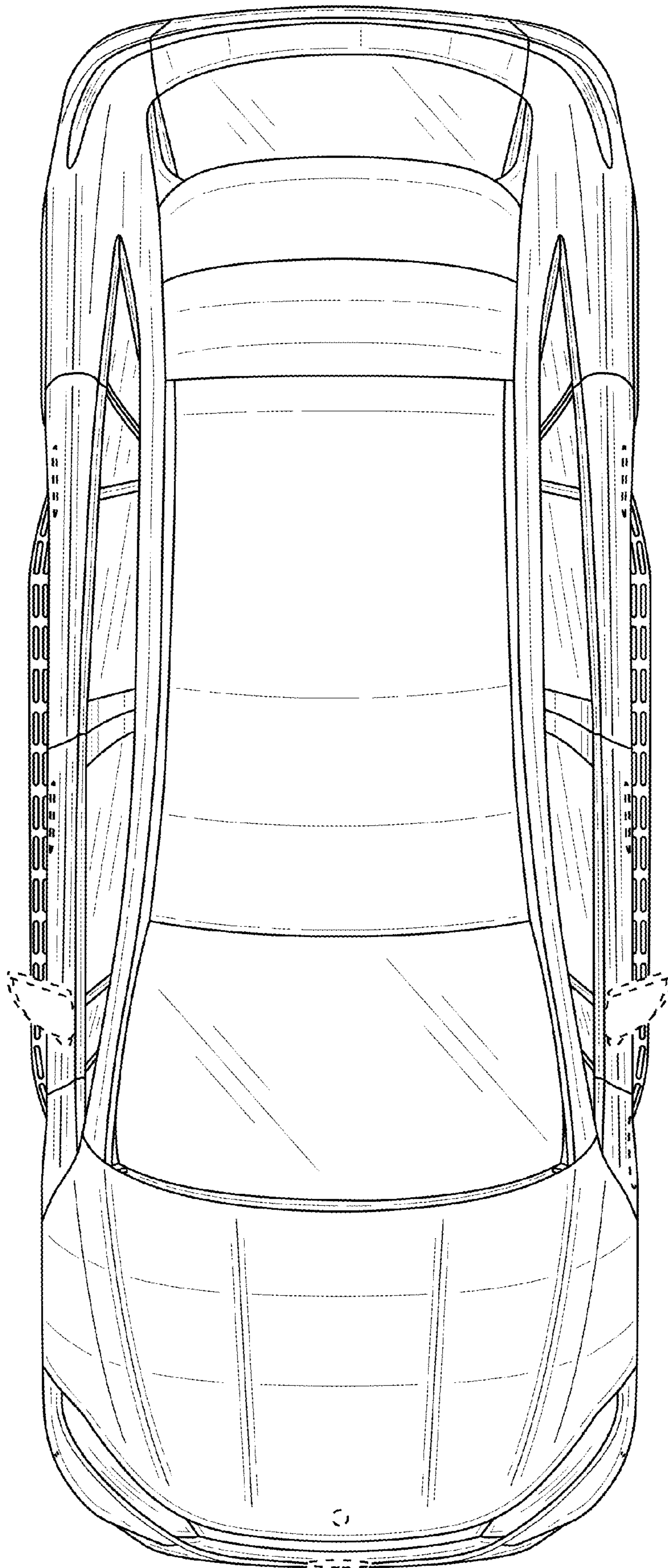


FIG. 7