

US00D962823S

(12) **United States Design Patent** (10) **Patent No.:** **US D962,823 S**  
**Dunn et al.** (45) **Date of Patent:** **\*\* Sep. 6, 2022**

(54) **COMBINATION CENTER AND SIDE LAMPS FOR ALL-TERRAIN VEHICLE**

2,672,103 A 3/1954 Hohmes  
2,868,273 A 1/1959 Barrett  
2,984,290 A 5/1961 Miller

(71) Applicant: **Polaris Industries Inc.**, Medina, MN (US)

(Continued)

(72) Inventors: **Ian M. Dunn**, Chanhassen, MN (US);  
**Brian N. Flick**, Maple Grove, MN (US)

FOREIGN PATENT DOCUMENTS

CA 3004855 A1 11/2019  
CH 317335 A 11/1956

(Continued)

(73) Assignee: **Polaris Industries Inc.**, Medina, MN (US)

OTHER PUBLICATIONS

(\*\*) Term: **15 Years**

“2022 Polaris Sportsman 450 H.O.” Polaris., posted date Jun. 3, 2021 [online], [retrieved on May 4, 2022], Retrieved from the Internet <URL: <https://premierpolaris.com/ATVs-Polaris-Sportsman-450-H-O-2022-Monroe-WA-e328a734-ecca-4aeb-ae9b-ad75007216abG>> (Year: 2021).\*

(21) Appl. No.: **29/814,970**

(22) Filed: **Nov. 10, 2021**

(Continued)

**Related U.S. Application Data**

(62) Division of application No. 29/743,786, filed on Jul. 24, 2020, now Pat. No. Des. 937,710.

(51) **LOC (13) Cl.** ..... **12-08**

(52) **U.S. Cl.**  
USPC ..... **D12/87**

(58) **Field of Classification Search**  
USPC ..... D12/3, 14, 86, 87, 107, 110  
CPC ..... B62D 23/00; B62D 21/18; B62D 21/183;  
B62D 24/02; B62D 25/00; B62D 39/00;  
B62D 49/06; B62D 49/062

See application file for complete search history.

(56) **References Cited**

U.S. PATENT DOCUMENTS

1,082,423 A 12/1913 Hartman  
1,951,220 A 3/1934 Tarr  
2,141,093 A 12/1938 Edward et al.  
2,284,352 A 5/1942 Zank  
2,396,511 A 3/1946 Issigonis  
2,628,657 A 2/1953 Orrick, Jr.

*Primary Examiner* — Darlington Ly

*Assistant Examiner* — Nasim Abdulaziz Ali

(74) *Attorney, Agent, or Firm* — Faegre Drinker Biddle & Reath LLP

(57) **CLAIM**

The ornamental design for a combination center and side lamps for all-terrain vehicle, as shown and described.

**DESCRIPTION**

FIG. 1 is a front and left side perspective view of a combination center and side lamps for all-terrain vehicle embodying our new design;

FIG. 2 is a front elevation view thereof;

FIG. 3 is a rear elevation view thereof;

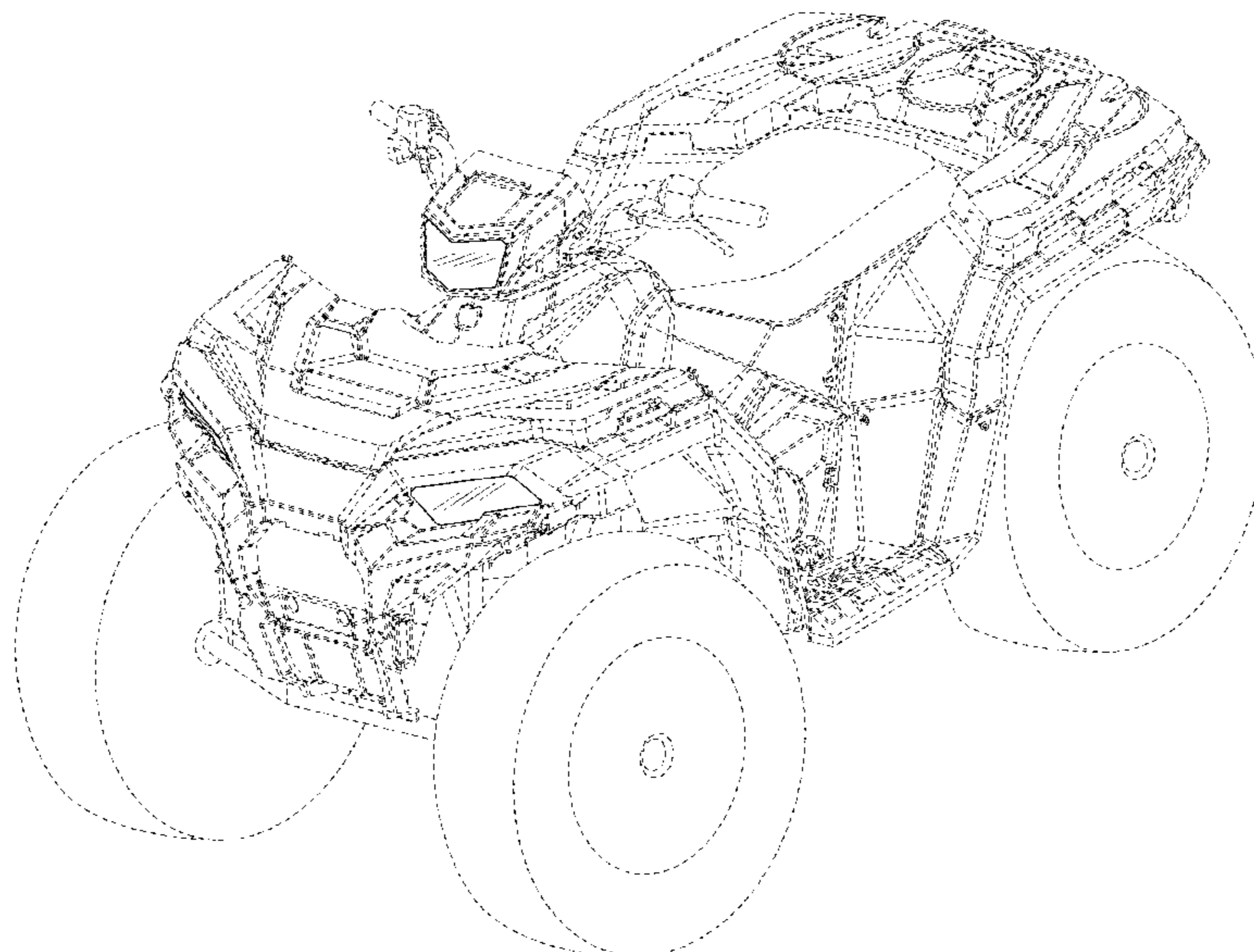
FIG. 4 is a left side elevation view thereof;

FIG. 5 is a right side elevation view thereof; and,

FIG. 6 is a top plan view thereof.

The portions of the vehicle and the vehicle components shown in broken lines form no part of the claimed design.

**1 Claim, 6 Drawing Sheets**





(56)

References Cited

U.S. PATENT DOCUMENTS

3,167,298 A	1/1965	Alexander et al.	RE38,895 E	11/2005	McLemore
3,347,512 A	10/1967	Campbell	6,968,917 B2	11/2005	Rondeau et al.
3,508,764 A	4/1970	Dobson et al.	6,971,714 B1	12/2005	Hanagan
3,560,022 A	2/1971	Gold	6,976,720 B1	12/2005	Bequette
3,736,020 A	5/1973	Pilachowski et al.	6,978,857 B2	12/2005	Korenjak
3,747,888 A	7/1973	Heckett	7,008,015 B2	3/2006	Bischoff
3,841,696 A	10/1974	Wagner	7,055,454 B1	6/2006	Whiting et al.
3,844,610 A	10/1974	Adams	7,121,371 B2	10/2006	Rondeau et al.
3,858,902 A	1/1975	Howells et al.	7,124,853 B1	10/2006	Kole, Jr.
3,913,975 A	10/1975	Carter	7,125,134 B1	10/2006	Hedlund et al.
3,927,854 A	12/1975	Carey	7,137,764 B2	11/2006	Johnson
4,027,892 A	6/1977	Parks	7,237,789 B1	7/2007	Herman
4,059,171 A	11/1977	Pakosh	7,239,032 B1	7/2007	Wilson et al.
4,062,585 A	12/1977	Herring, Jr.	7,258,192 B2	8/2007	Davis et al.
4,098,414 A	7/1978	Abiera	7,331,418 B2	2/2008	Audet
4,129,198 A	12/1978	Hunter	7,416,234 B2	8/2008	Bequette
4,198,092 A	4/1980	Federspiel	7,431,024 B2	10/2008	Buchwitz et al.
4,380,352 A	4/1983	Diffrient	7,506,714 B2	3/2009	Davis et al.
4,521,053 A	6/1985	De Boer	D593,003 S *	5/2009	Sanschagrin ..... D12/107
4,522,454 A	6/1985	Hochstatter	D593,454 S *	6/2009	Sanschagrin ..... D12/107
4,527,831 A	7/1985	Katsuoka	D594,388 S *	6/2009	Sanschagrin ..... D12/107
4,561,323 A	12/1985	Stromberg	D606,900 S *	12/2009	Flores ..... D12/87
4,563,038 A	1/1986	Hirose	7,682,115 B1	3/2010	Jay et al.
4,662,597 A	5/1987	Uecker et al.	7,686,368 B2	3/2010	Ghergheli et al.
4,714,227 A	12/1987	Holm et al.	7,703,826 B1	4/2010	German
4,779,695 A	10/1988	Yasui	D625,662 S *	10/2010	Li ..... D12/87
4,821,825 A	4/1989	Somerton-Rayner	8,122,993 B2	2/2012	Ripley et al.
4,844,309 A	7/1989	Aubin et al.	D657,720 S *	4/2012	Eck ..... D12/107
4,934,737 A	6/1990	Nakatsuka	8,205,910 B2	6/2012	Leonard et al.
4,941,784 A	7/1990	Flament	8,215,694 B2	7/2012	Smith et al.
5,007,675 A	4/1991	Musto et al.	D665,309 S	8/2012	Lepine et al.
5,036,939 A	8/1991	Johnson et al.	D665,312 S	8/2012	Lepine et al.
5,037,155 A	8/1991	Holm et al.	D670,198 S *	11/2012	Li ..... D12/14
5,149,034 A	9/1992	Ganaja	8,376,441 B2	2/2013	Nakamura et al.
5,251,713 A	10/1993	Enokimoto	D679,627 S *	4/2013	Li ..... D12/14
5,309,861 A	5/1994	Mardikian	8,430,442 B2	4/2013	Utke et al.
5,324,095 A	6/1994	Yamauchi	D682,737 S *	5/2013	Li ..... D12/14
5,367,978 A	11/1994	Mardikian	D682,738 S *	5/2013	Li ..... D12/14
5,458,213 A	10/1995	Nakaya et al.	D694,668 S *	12/2013	Li ..... D12/14
5,509,496 A	4/1996	Erickson et al.	D699,627 S *	2/2014	Tang ..... D12/14
5,549,428 A	8/1996	Yeatts	D701,143 S *	3/2014	Shan ..... D12/87
5,613,570 A	3/1997	Becker	8,678,464 B2	3/2014	Smith et al.
5,618,021 A	4/1997	Brodersen	8,905,435 B2	12/2014	Ripley et al.
5,676,292 A	10/1997	Miller	D722,927 S	2/2015	Schroeder et al.
5,713,629 A	2/1998	Plackis	D727,807 S	4/2015	Schroeder et al.
5,776,568 A	7/1998	Andress et al.	9,080,514 B2	7/2015	Utke et al.
5,863,277 A	1/1999	Melbourne	D756,845 S *	5/2016	Flores ..... D12/87
5,876,085 A	3/1999	Hill	D805,009 S *	12/2017	Eck ..... D12/171
5,950,750 A	9/1999	Dong et al.	9,873,316 B2 *	1/2018	Lovold ..... B60K 5/12
6,007,150 A	12/1999	Clerkin et al.	D862,286 S *	10/2019	Flores ..... D12/87
6,092,877 A	7/2000	Rasidescu et al.	D866,402 S *	11/2019	Wang ..... D12/107
6,102,466 A	8/2000	Kanazawa et al.	10,569,819 B2 *	2/2020	Lovold ..... B62K 5/007
6,149,540 A	11/2000	Johnson et al.	D886,678 S *	6/2020	Lai ..... D12/87
6,182,590 B1	2/2001	Patera	D906,181 S *	12/2020	Lou ..... D12/107
6,196,634 B1	3/2001	Jurinek	D908,536 S *	1/2021	Ye ..... D12/87
6,199,894 B1	3/2001	Anderson	D913,847 S *	3/2021	Hashimoto ..... D12/87
6,276,653 B1	8/2001	Traxler	D935,945 S *	11/2021	Bruderer ..... D12/87
6,354,556 B1	3/2002	Ritchie et al.	D950,419 S *	5/2022	Lou ..... D12/107
6,460,818 B1	10/2002	Garellick et al.	D950,420 S *	5/2022	Lou ..... D12/107
6,467,787 B1	10/2002	Marsh	2002/0011745 A1	1/2002	Petersen
6,530,730 B2	3/2003	Swensen	2002/0147072 A1	10/2002	Goodell et al.
6,622,968 B1	9/2003	St et al.	2002/0178968 A1	12/2002	Christensen
6,648,569 B2	11/2003	Douglass et al.	2003/0001409 A1	1/2003	Semple et al.
6,695,566 B2	2/2004	Rodriguez Navio	2004/0026150 A1	2/2004	Nishi et al.
6,725,962 B1	4/2004	Fukuda	2004/0029459 A1	2/2004	Berthiaume et al.
6,732,830 B2	5/2004	Gagnon et al.	2004/0031640 A1	2/2004	Tweet
6,752,235 B1	6/2004	Bell et al.	2004/0079561 A1	4/2004	Ozawa et al.
6,767,040 B1	7/2004	Freijy	2004/0108159 A1	6/2004	Rondeau et al.
6,773,049 B2	8/2004	Rupiper et al.	2004/0173653 A1	9/2004	Audet
6,786,526 B1	9/2004	Blalock	2004/0195797 A1	10/2004	Nash et al.
6,799,779 B2	10/2004	Shibayama	2004/0239088 A1	12/2004	Rondeau et al.
6,799,781 B2	10/2004	Rasidescu et al.	2005/0121953 A1	6/2005	Sprouse, II
6,880,483 B2	4/2005	Fedders	2005/0168018 A1	8/2005	Cox
6,916,142 B2	7/2005	Hansen et al.	2005/0173177 A1	8/2005	Smith et al.
6,923,507 B1	8/2005	Billberg et al.	2005/0173180 A1	8/2005	Hypes et al.
			2005/0247506 A1	11/2005	Rondeau et al.
			2005/0248116 A1	11/2005	Fanson
			2005/0275268 A1	12/2005	Oomori
			2006/0066122 A1	3/2006	Wiseman



(56)

References Cited

U.S. PATENT DOCUMENTS

2006/0097692	A1	5/2006	Chen et al.	
2006/0113139	A1	6/2006	Nishi et al.	
2006/0186699	A1	8/2006	Davis et al.	
2007/0034435	A1	2/2007	Berg et al.	
2007/0262604	A1	11/2007	Takei et al.	
2007/0278026	A1	12/2007	Davis et al.	
2008/0023240	A1	1/2008	Sunsdahl et al.	
2008/0023249	A1	1/2008	Sunsdahl et al.	
2008/0217088	A1	9/2008	Berg	
2009/0195035	A1	8/2009	Ripley et al.	
2009/0236820	A1	9/2009	Chang et al.	
2010/0019524	A1	1/2010	Utke et al.	
2010/0084212	A1*	4/2010	Smith .....	B60N 2/502 180/311
2011/0094813	A1	4/2011	Suzuki et al.	
2011/0094816	A1	4/2011	Suzuki et al.	
2012/0031694	A1	2/2012	Deckard et al.	
2014/0102820	A1	4/2014	Deckard et al.	
2014/0262584	A1	9/2014	Lovold et al.	
2015/0047917	A1	2/2015	Burt et al.	
2016/0332536	A1*	11/2016	Weber .....	B60K 17/04
2020/0010120	A1	1/2020	Kinsman et al.	
2020/0171942	A1*	6/2020	Evans .....	F02D 9/1065
2021/0188184	A1	6/2021	Kelso et al.	

FOREIGN PATENT DOCUMENTS

CN	102015419	A	4/2011
CN	109415102	A	3/2019
DE	0116605	C	2/1900
DE	1755101	A1	4/1971
DE	3033707	A1	4/1982
DE	4136296	A1	5/1993
DE	19531985	A1	3/1997
DE	102005013610	A1	9/2006
EP	0238077	A2	9/1987
EP	0709247	A2	5/1996
EP	0794096	A2	9/1997
EP	1215107	A1	6/2002
EP	1296036	A2	3/2003
EP	1557345	A2	7/2005
EP	1564123	A2	8/2005
GB	0159650	A	3/1921
GB	1501631	A	2/1978
JP	06-105727	B2	12/1994
JP	11-334447	A	12/1999
JP	2000-177434	A	6/2000
JP	2004-308453	A	11/2004
WO	03/53769	A1	7/2003
WO	2008/100398	A2	8/2008
WO	2008/115459	A1	9/2008

OTHER PUBLICATIONS

“LED Light Kit” Polaris., posted date Apr. 11, 2014 [online], [retrieved on May 4, 2022], Retrieved from the Internet <URL:

[https://atv.polaris.com/en-us/shop/accessories/lights/2884859/?utm\\_source=gmc&utm\\_medium=product\\_feed&utm\\_term=LED\\_Light\\_Kit](https://atv.polaris.com/en-us/shop/accessories/lights/2884859/?utm_source=gmc&utm_medium=product_feed&utm_term=LED_Light_Kit)> (Year: 2014).\*

“2022 TRX250X” Honda., posted date Feb. 8, 2022 [online], [retrieved on May 4, 2022], Retrieved from the Internet <URL: <https://powersports.honda.com/atv/sport/trx250x>> (Year: 2022).\*

“2019 Polaris Sportsman 850” Polaris., posted date Jul. 23, 2019 [online], [retrieved on Jul. 13, 2021], Retrieved from the Internet <URL: <http://atvillustrated.com/content/2019-polaris-sportsman-850-sp-premium-review>> (Year 2019).

“2020 Fourtrax Recon” Honda., posted date Jun. 22, 2019 [online], [retrieved on Jul. 13, 2021], Retrieved from the Internet <URL: <https://powersports.honda.com/atv/recutility/fourtrax-recon?year=2020>> (Year: 2019).

“Sportsman 850” Polaris., posted date Jun. 29, 2017 [online], [retrieved on Jul. 13, 2021], Retrieved from the Internet <URL: <https://atv.polaris.com/en-us/sportsman-850/>> (Year: 2017).

International Preliminary Report on Patentability issued by the European Patent Office, dated Mar. 15, 2011, for International Patent Application No. PCT/US2009/059535; 6 pages.

International Preliminary Report on Patentability issued by the European Patent Office, dated May 11, 2009, for International Patent Application No. PCT/US2008/003483; 20 pages.

International Preliminary Report on Patentability issued by the European Patent Office, dated Jan. 27, 2011, for International Patent Application No. PCT/US2009/049799; 13 pages.

International Search Report and Written Opinion issued by the European Patent Office, dated Aug. 27, 2008, for International Patent Application No. PCT/US2008/003485; 11 pages.

International Search Report and Written Opinion issued by the European Patent Office, dated Jan. 6, 2010, for International Patent Application No. PCT/US2009/059535; 10 pages.

International Search Report and Written Opinion issued by the European Patent Office, dated Oct. 2, 2008; for International Patent Application No. PCT/US2008/003483; 15 pages.

International Search Report and Written Opinion issued by the European Patent Office, dated Sep. 1, 2008, for International Patent Application No. PCT/US2008/003480; 17 pages.

International Search Report and Written Opinion issued by the International Searching Authority, dated Sep. 19, 2016, for International Patent Application No. PCT/US2016/031992; 20 pages.

International Search Report issued by the European Patent Office, dated Feb. 24, 2010, for International Patent Application No. PCT/US2009/049799; 6 pages.

The Council of the European Communities, “Council Directive on the approximation of the laws of the Member States relating to the driver’s seat on wheeled agricultural or forestry tractors (78/764/EEC) (OJL 255, 18.9, 1978)”, Jul. 25, 1978, 69 pages, available at <http://eurlex.europa.eu/LexUriServ/LexUriServ.do?uri=CONSLEG:1978L0764:20070101:EN.pdf>.

Written Opinion issued by the International Searching Authority, dated Feb. 24, 2010, for International Patent Application No. PCT/US2009/049799; 7 pages.

\* cited by examiner

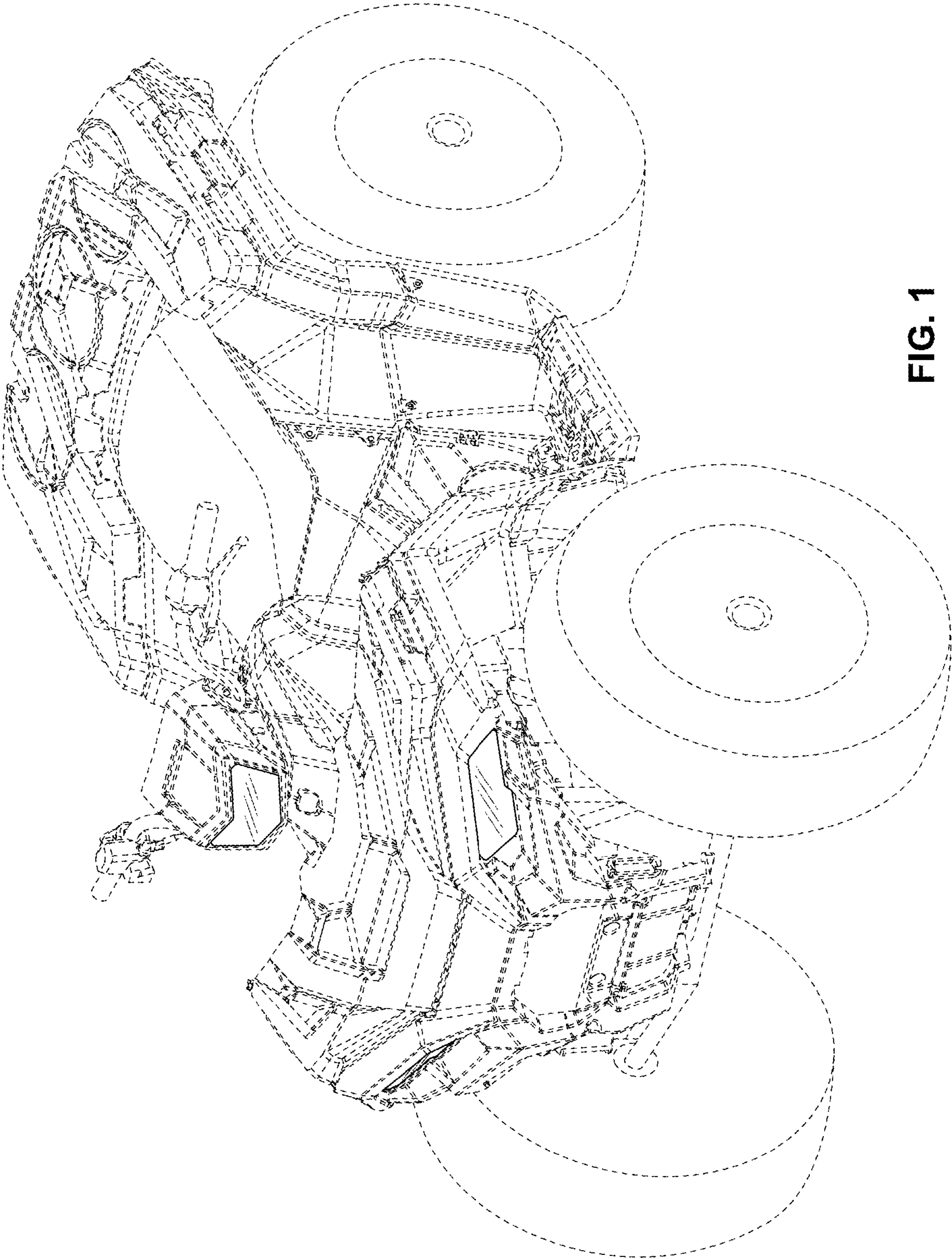


FIG. 1



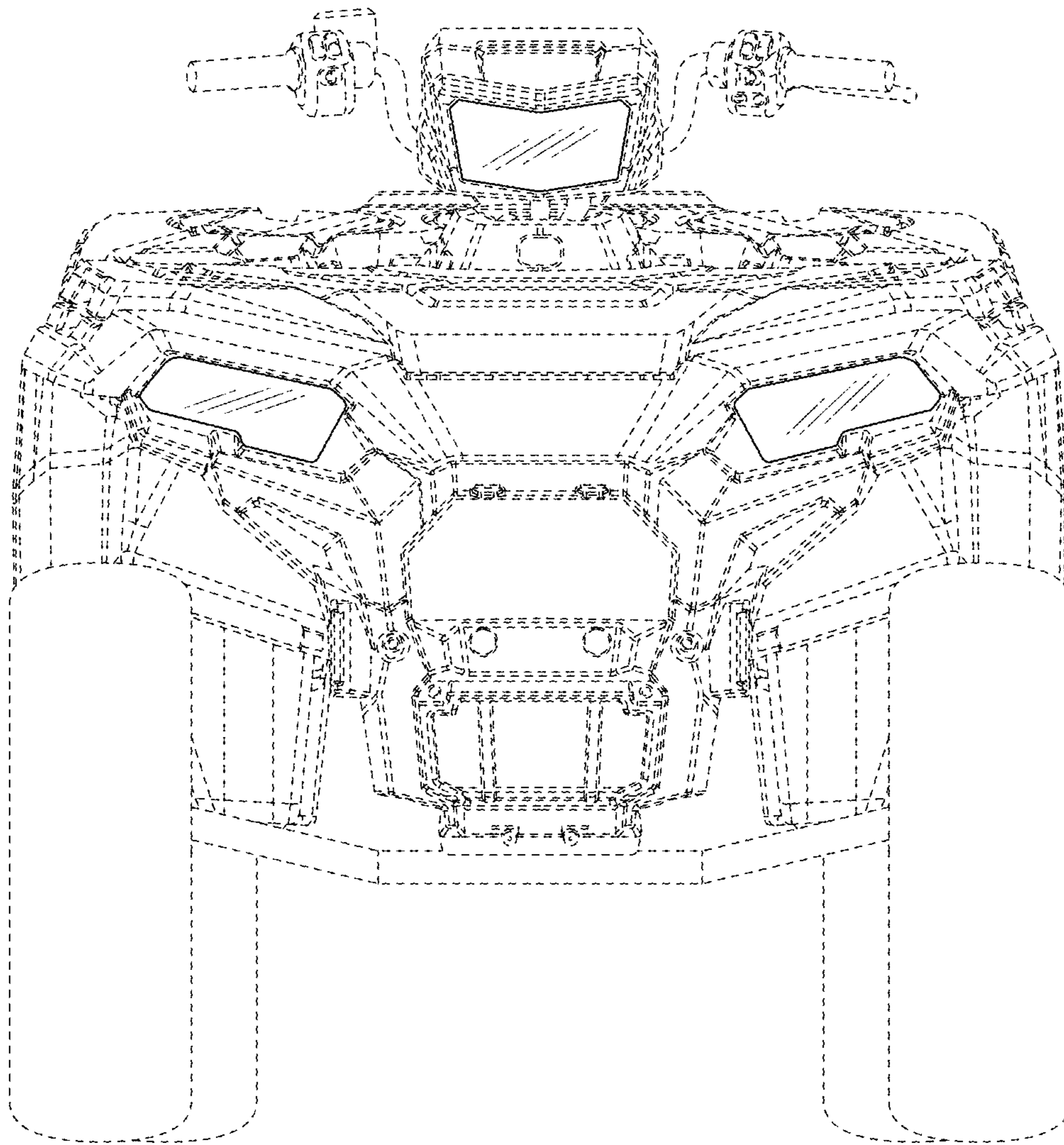


FIG. 2

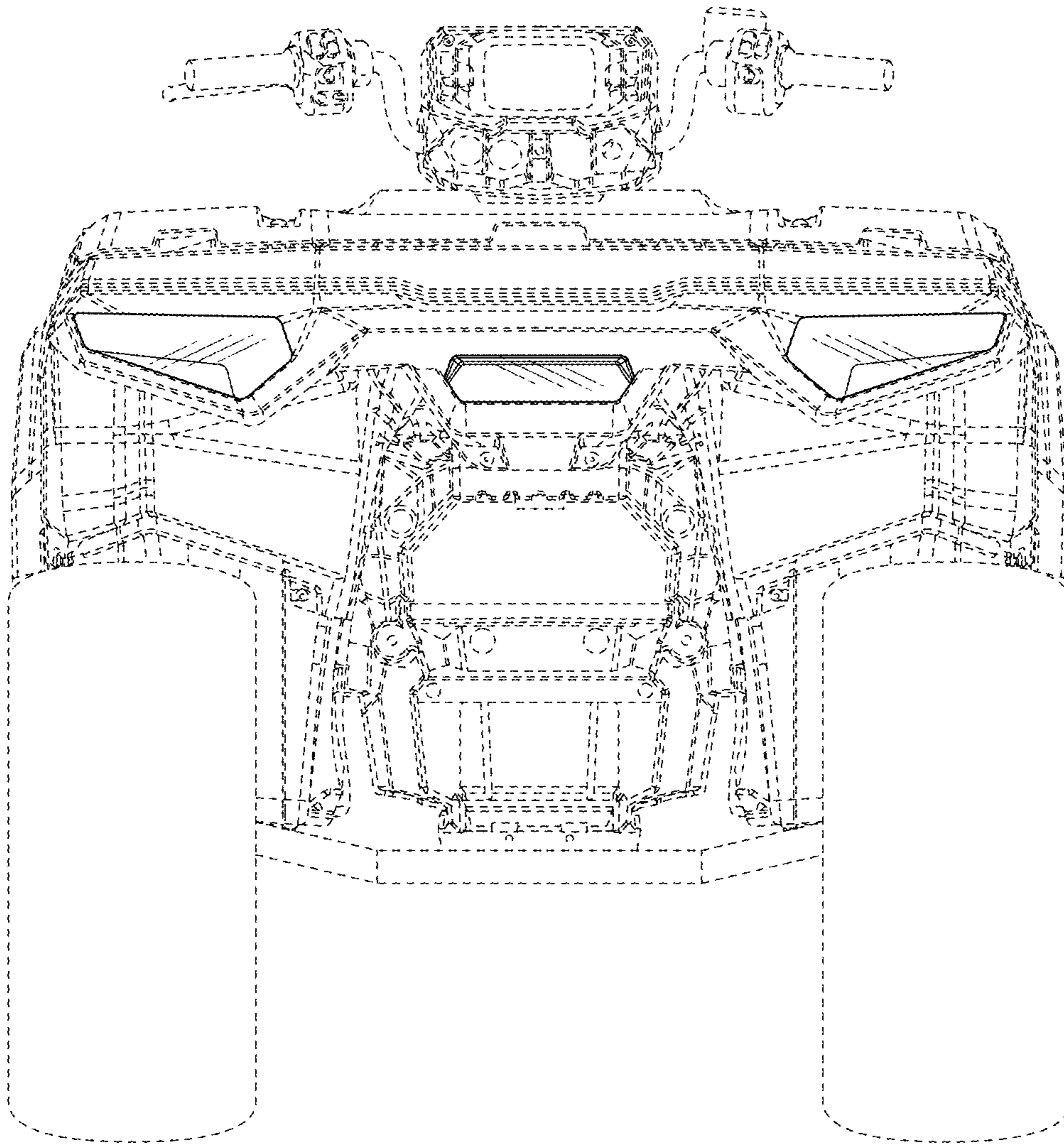


FIG. 3

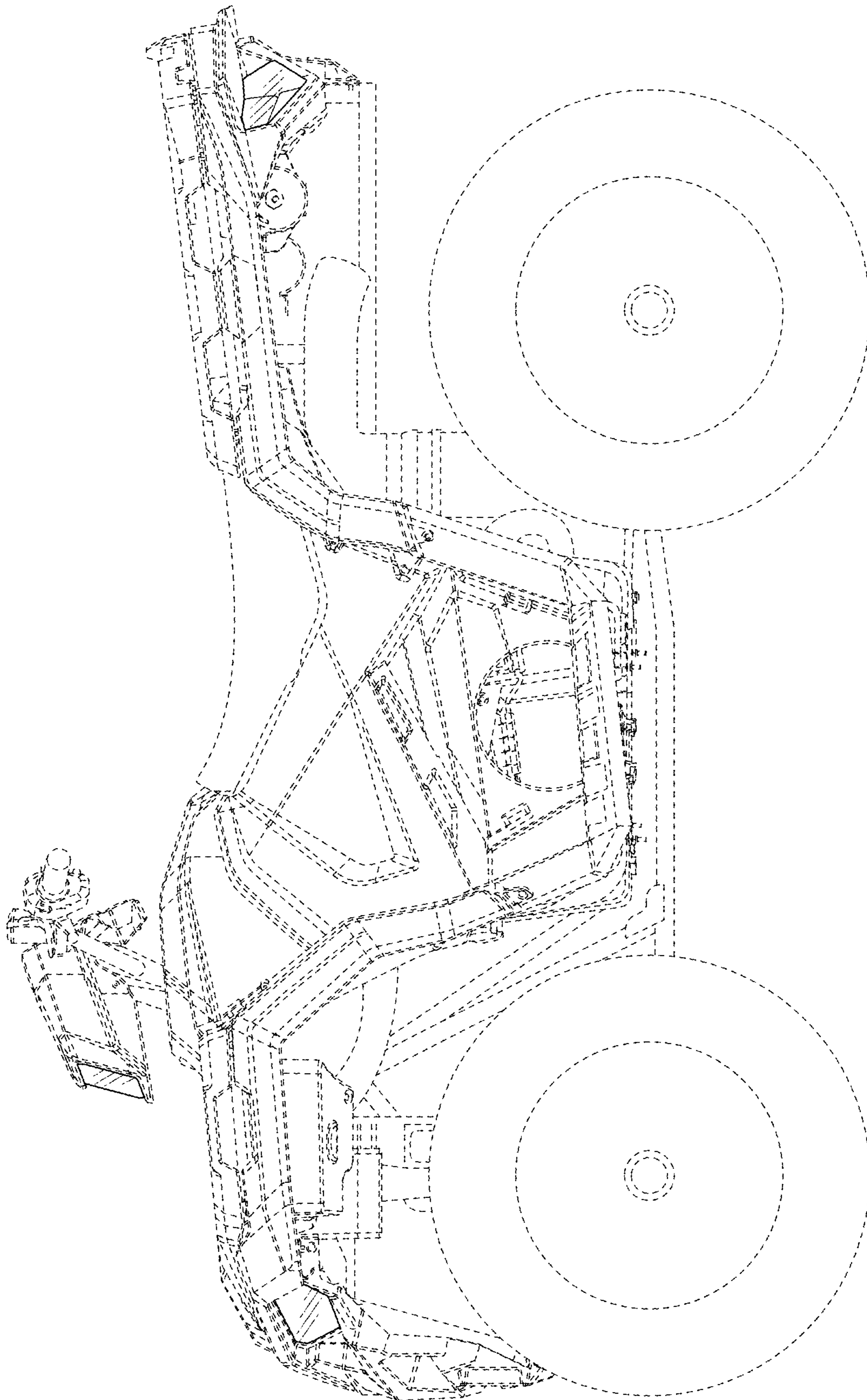


FIG. 4



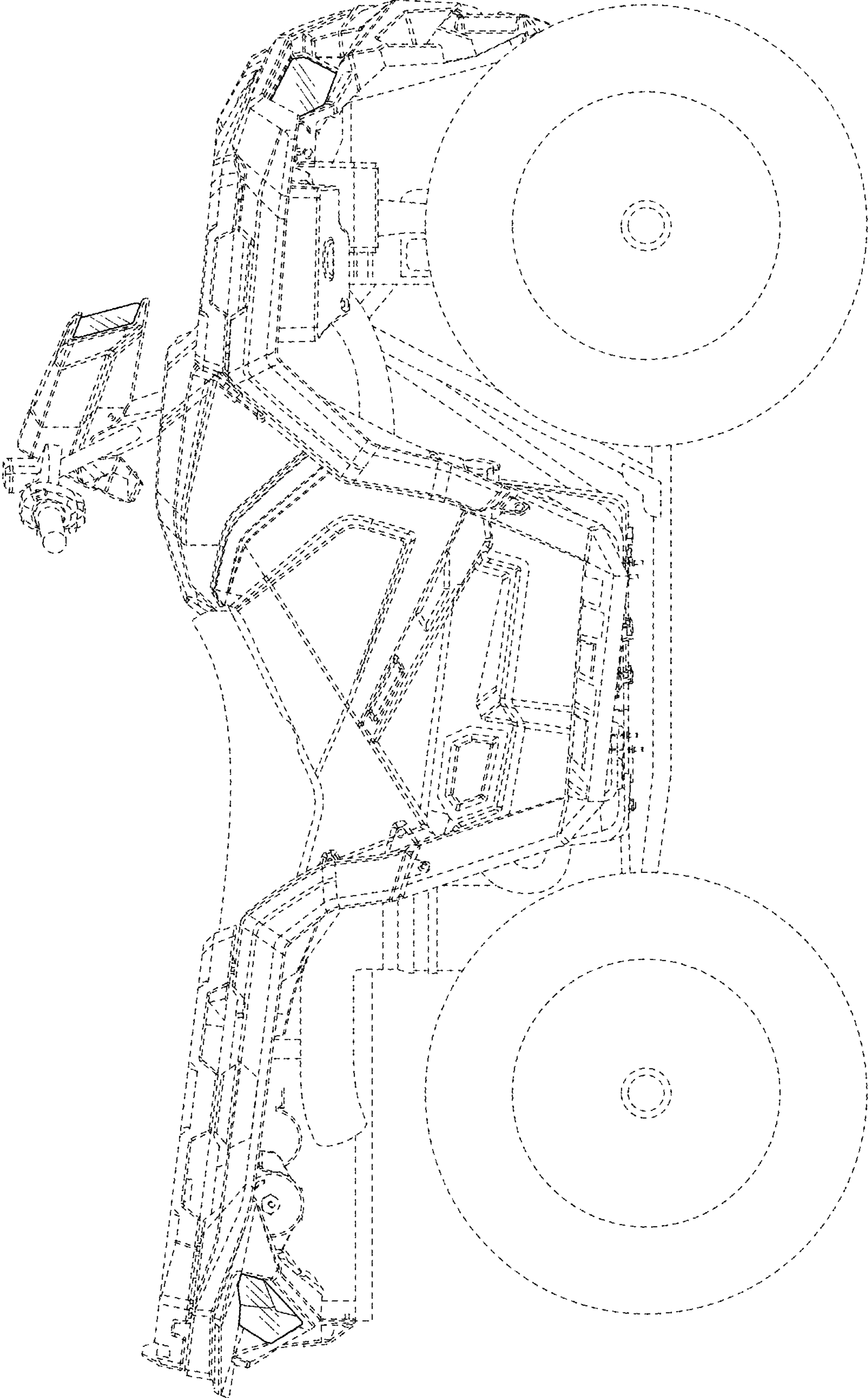


FIG. 5



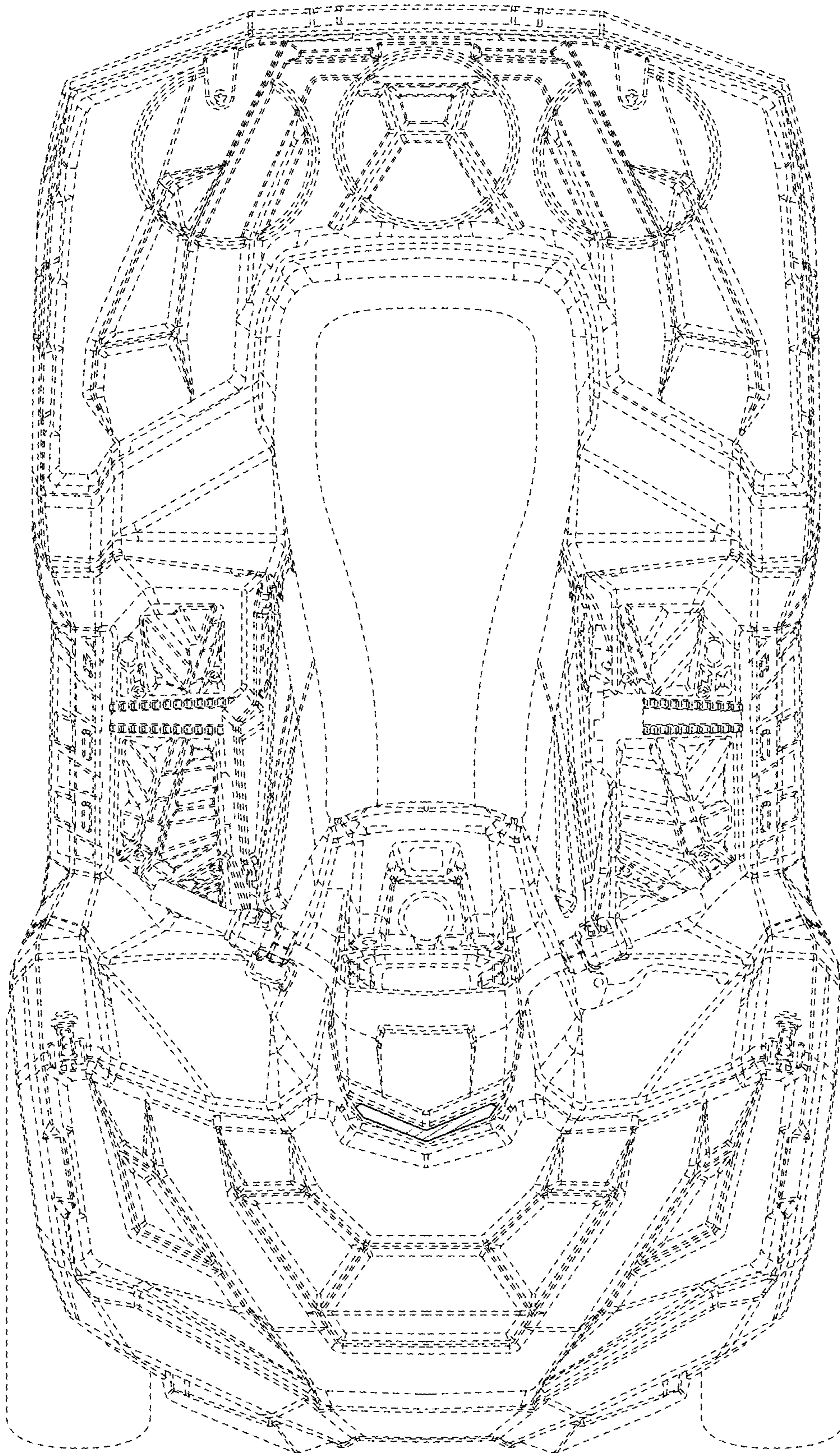


FIG. 6