



US00D962822S

(12) **United States Design Patent** (10) **Patent No.:** **US D962,822 S**  
**Callahan** (45) **Date of Patent:** **\*\* Sep. 6, 2022**

(54) **HAT CLIP FLAG HOLDER**  
(71) Applicant: **Timothy Callahan**, Branchburg, NJ (US)  
(72) Inventor: **Timothy Callahan**, Branchburg, NJ (US)

3,213,823 A 10/1965 Levy et al.  
4,390,927 A \* 6/1983 Von Feldt ..... F21L 15/14  
362/396  
D274,827 S \* 7/1984 Belloff ..... F21V 21/0885  
D21/445  
4,561,301 A 12/1985 Steele  
(Continued)

(\*\*) Term: **15 Years**

FOREIGN PATENT DOCUMENTS

(21) Appl. No.: **29/758,776**

DE 2407140 8/1975  
JP 3210174 5/2017

(22) Filed: **Nov. 18, 2020**

*Primary Examiner* — Joseph Kukella

(51) **LOC (13) Cl.** ..... **11-05**

*Assistant Examiner* — Heather Ann Laaveg Wencil

(52) **U.S. Cl.**  
USPC ..... **D11/181**

(74) *Attorney, Agent, or Firm* — Doherty IP Law Group LLC

(58) **Field of Classification Search**  
USPC ..... D5/41; D11/133, 165–184; D14/489;  
D20/16, 17, 21, 28, 41–43  
CPC ..... G09F 13/0431; G09F 15/0018; G09F  
15/0037; G09F 17/00; G09F 21/02; G09F  
21/04; G09F 2017/005; G09F 2017/0008;  
G09F 2017/0033; G09F 2017/0041; G09F  
2017/0066; G09F 2017/0075  
See application file for complete search history.

(57) **CLAIM**

The ornamental design for a hat clip flag holder, as shown and described.

(56) **References Cited**

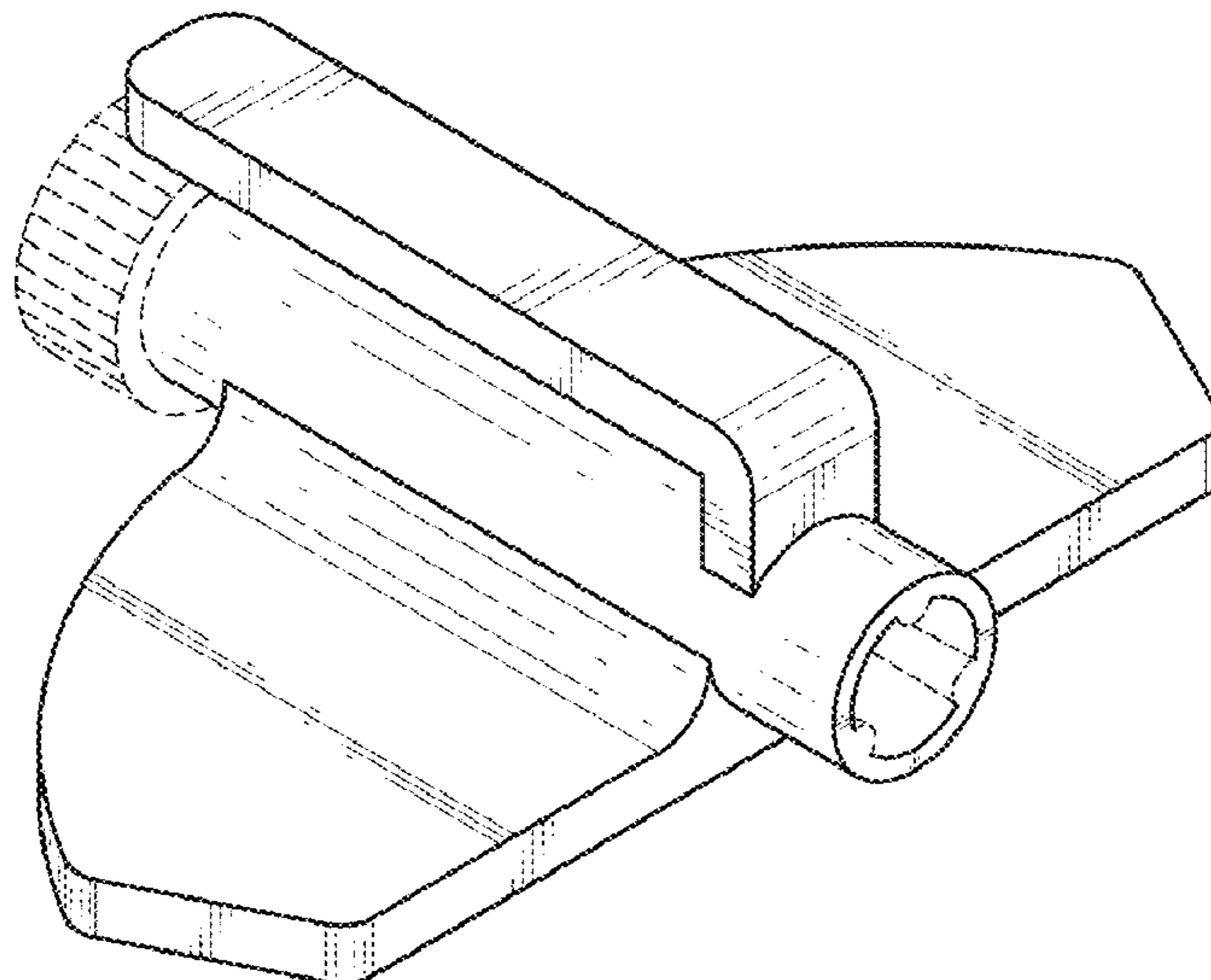
**DESCRIPTION**

U.S. PATENT DOCUMENTS

416,901 A \* 12/1889 Chambers ..... G09F 17/00  
116/173  
1,743,936 A \* 1/1930 Segesser ..... F21L 15/08  
362/191  
1,744,196 A \* 1/1930 Ames ..... B60R 13/005  
24/336  
2,524,881 A \* 10/1950 Chambers ..... F21V 21/0885  
24/3.12  
D188,129 S \* 6/1960 Wansky ..... G09F 17/00  
D26/39  
3,032,647 A \* 5/1962 Wansky ..... F21V 21/0885  
362/106  
3,066,769 A \* 12/1962 Pasquale ..... E04H 12/2215  
52/153  
3,104,644 A 9/1963 Burton

FIG. 1 is a perspective view of a hat clip flag holder, showing my new design;  
FIG. 2 is a front view of the hat clip flag holder shown in FIG. 1;  
FIG. 3 is a rear view of the hat clip flag holder shown in FIG. 1;  
FIG. 4 is a top view of the hat clip flag holder shown in FIG. 1;  
FIG. 5 is a bottom view of the hat clip flag holder shown in FIG. 1;  
FIG. 6 is a right side view of the hat clip flag holder shown in FIG. 1; and,  
FIG. 7 is a left side view of the hat clip flag holder shown in FIG. 1.  
In the drawings, the broken lines depict environmental subject matter that forms no part of the claimed design.

**1 Claim, 7 Drawing Sheets**



(56)

**References Cited**

## U.S. PATENT DOCUMENTS

4,984,379 A \* 1/1991 Lee ..... G09F 23/06  
116/173  
D318,337 S \* 7/1991 Taylor ..... F21V 21/0885  
D26/42  
5,816,684 A \* 10/1998 Yu ..... F21V 21/145  
362/191  
5,881,391 A 3/1999 Mullaney  
D416,517 S \* 11/1999 Goldfarb ..... E04H 12/2215  
D11/182  
6,481,060 B1 11/2002 Tsai  
6,874,167 B1 4/2005 Leszczynski  
D614,345 S \* 4/2010 Bertken ..... F21V 21/0885  
D26/138  
8,510,916 B2 8/2013 Kinvi  
8,545,041 B2 \* 10/2013 Brown ..... F21V 21/0885  
24/336  
8,807,814 B1 \* 8/2014 Glenn ..... F21V 21/0885  
362/580  
D759,938 S \* 6/2016 Gillen ..... G09F 23/06  
D99/17  
9,863,631 B1 \* 1/2018 Storer ..... F21L 4/08  
D920,635 S \* 6/2021 Douramakos ..... D2/866  
11,137,003 B1 \* 10/2021 Callahan ..... F16B 2/22  
2004/0006900 A1 1/2004 Beller  
2005/0268378 A1 12/2005 Butler  
2008/0040963 A1 2/2008 Ochs et al.  
2008/0295295 A1 12/2008 Rogers  
2010/0058972 A1 3/2010 Kinvi

\* cited by examiner

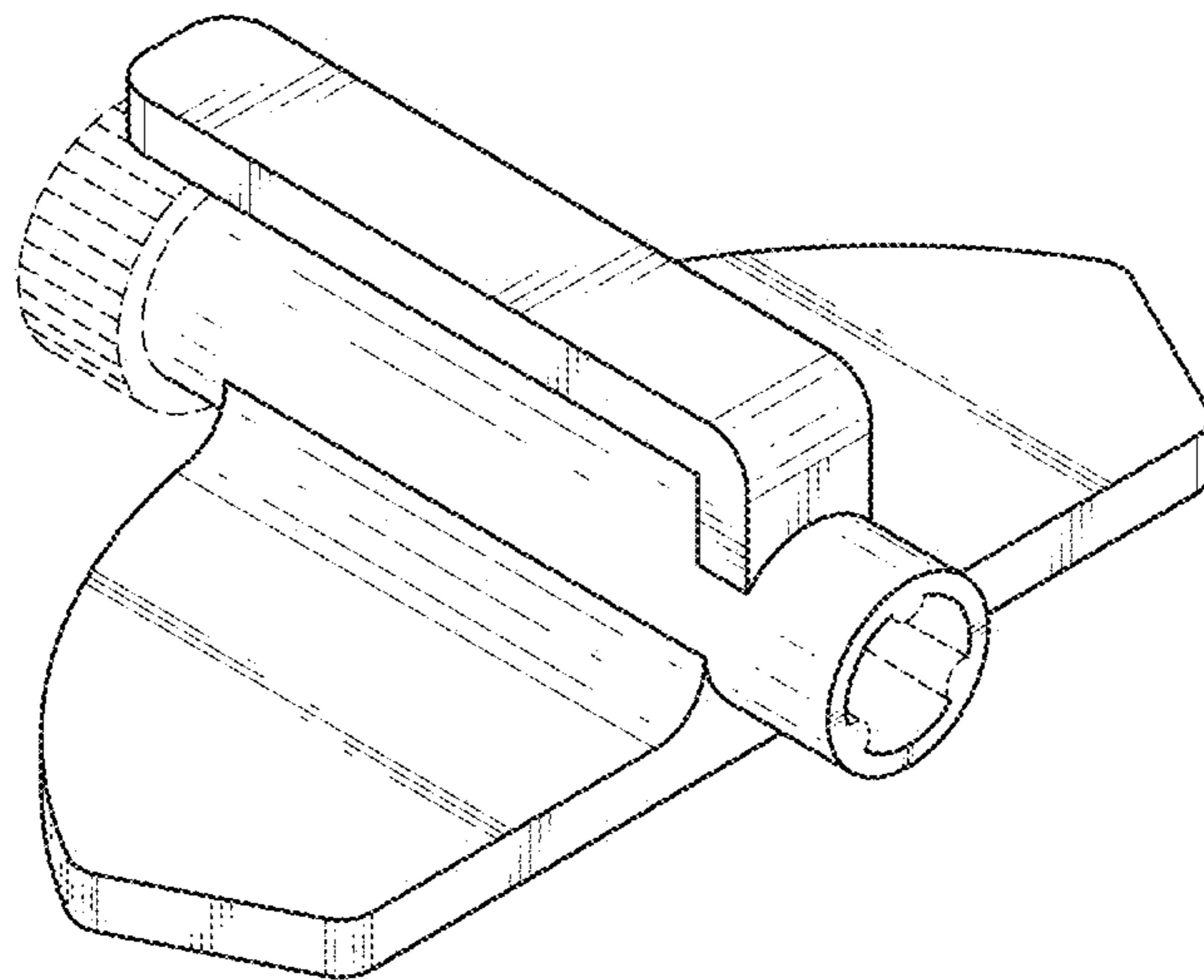


FIG. 1

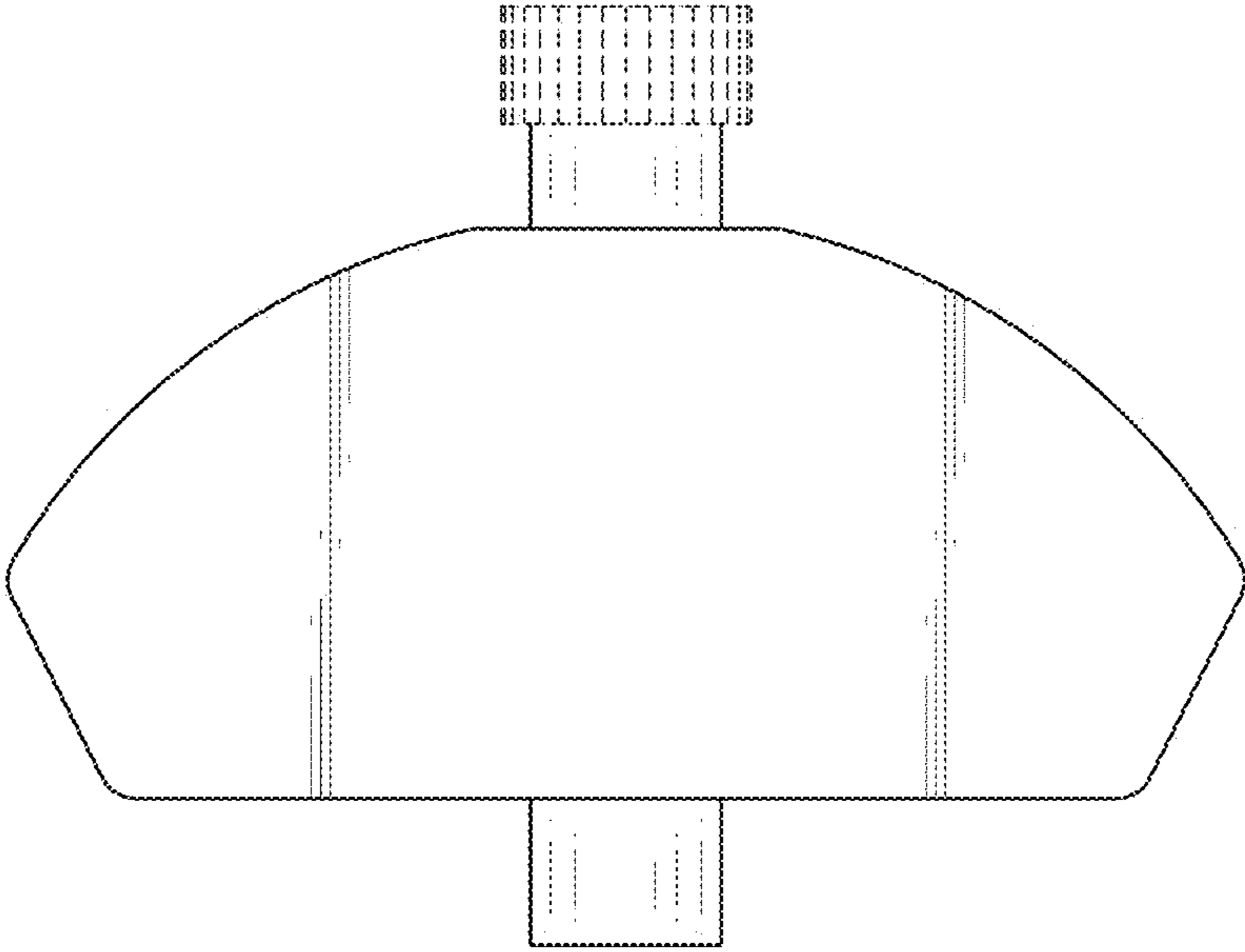


FIG. 2

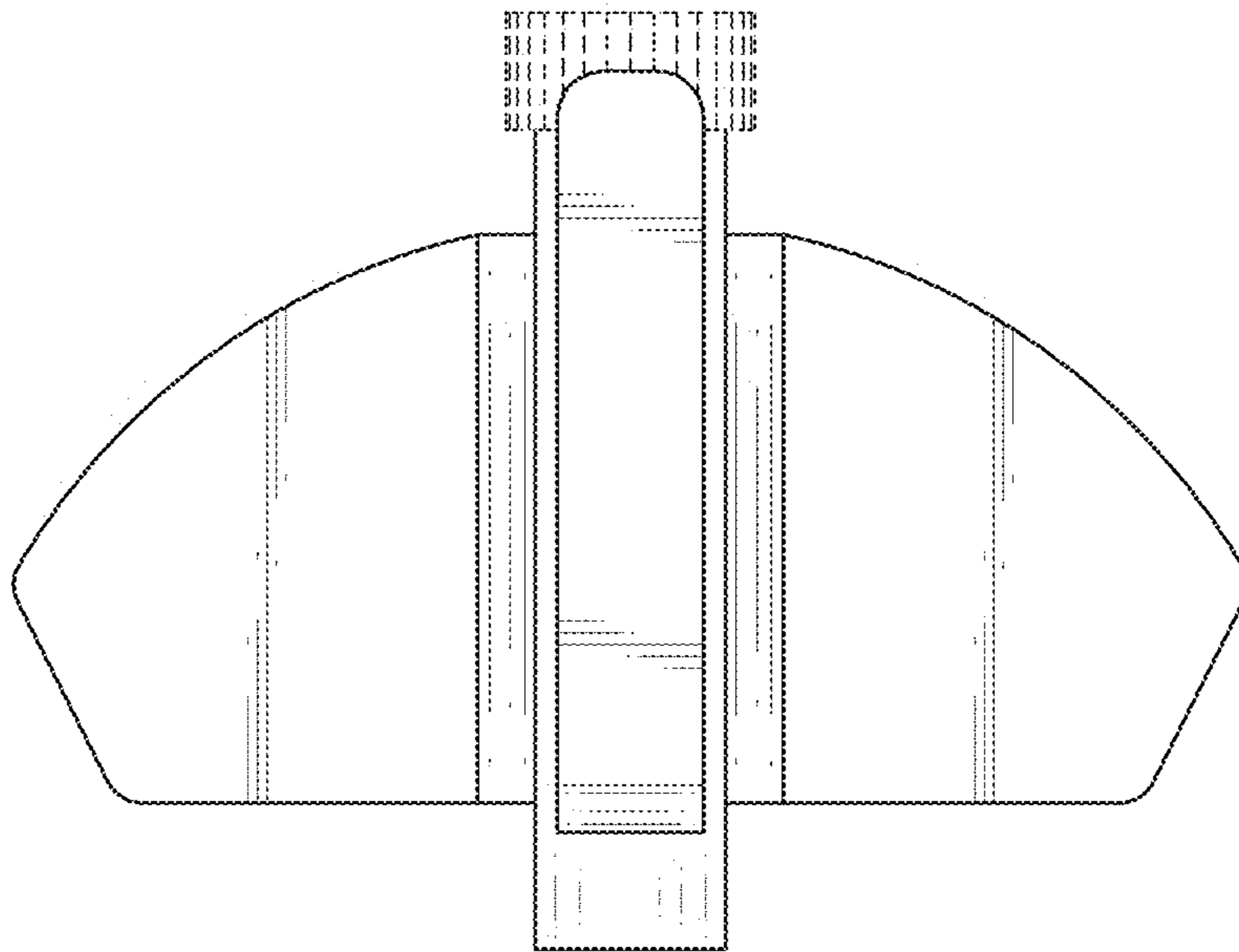


FIG. 3

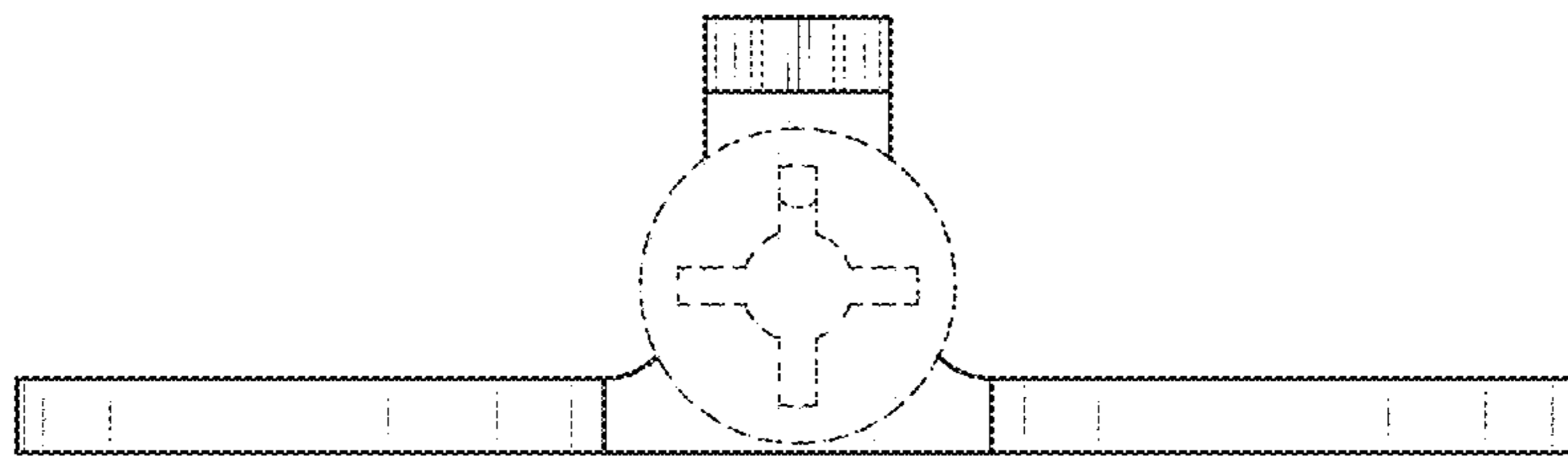


FIG. 4

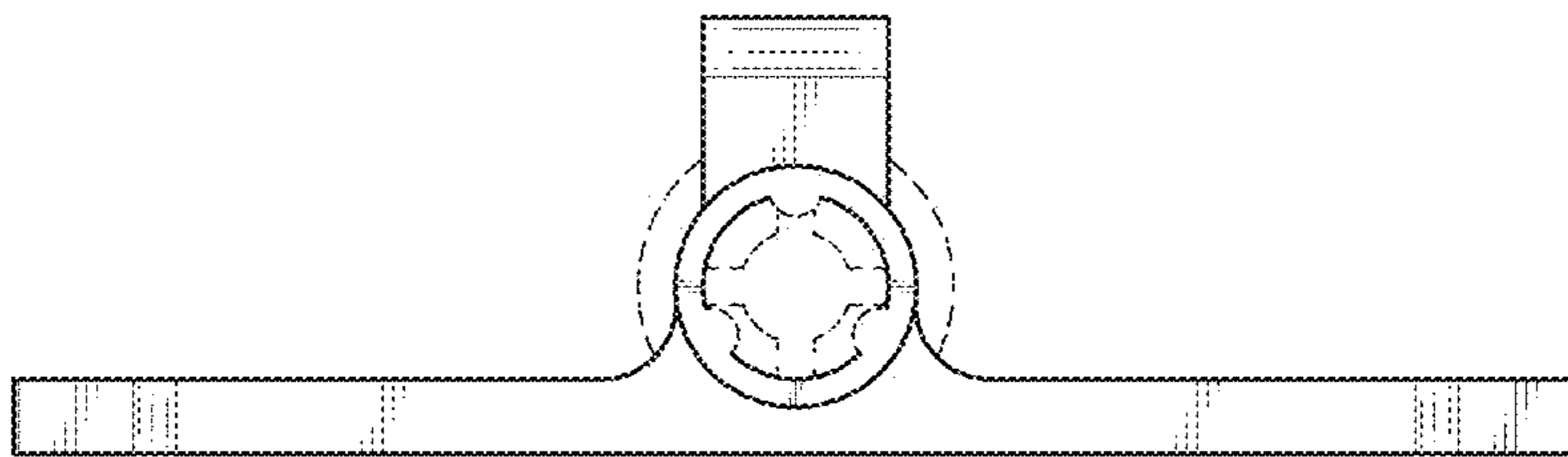


FIG. 5

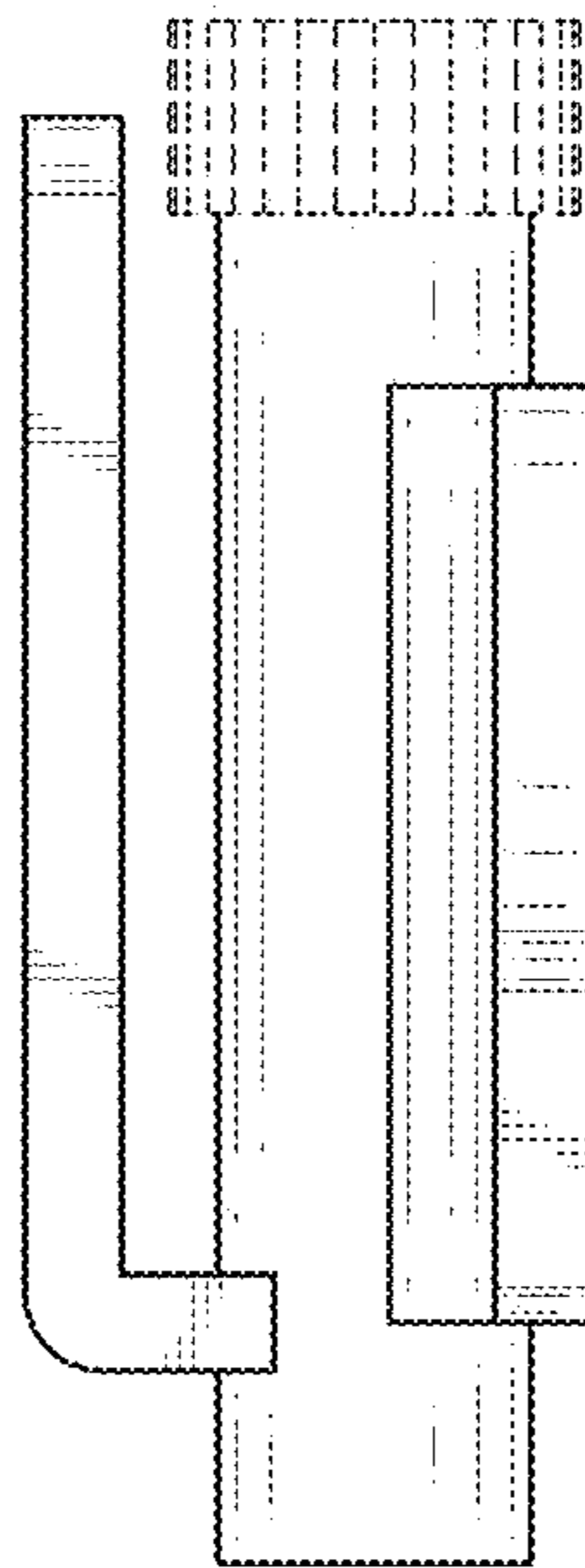


FIG. 6



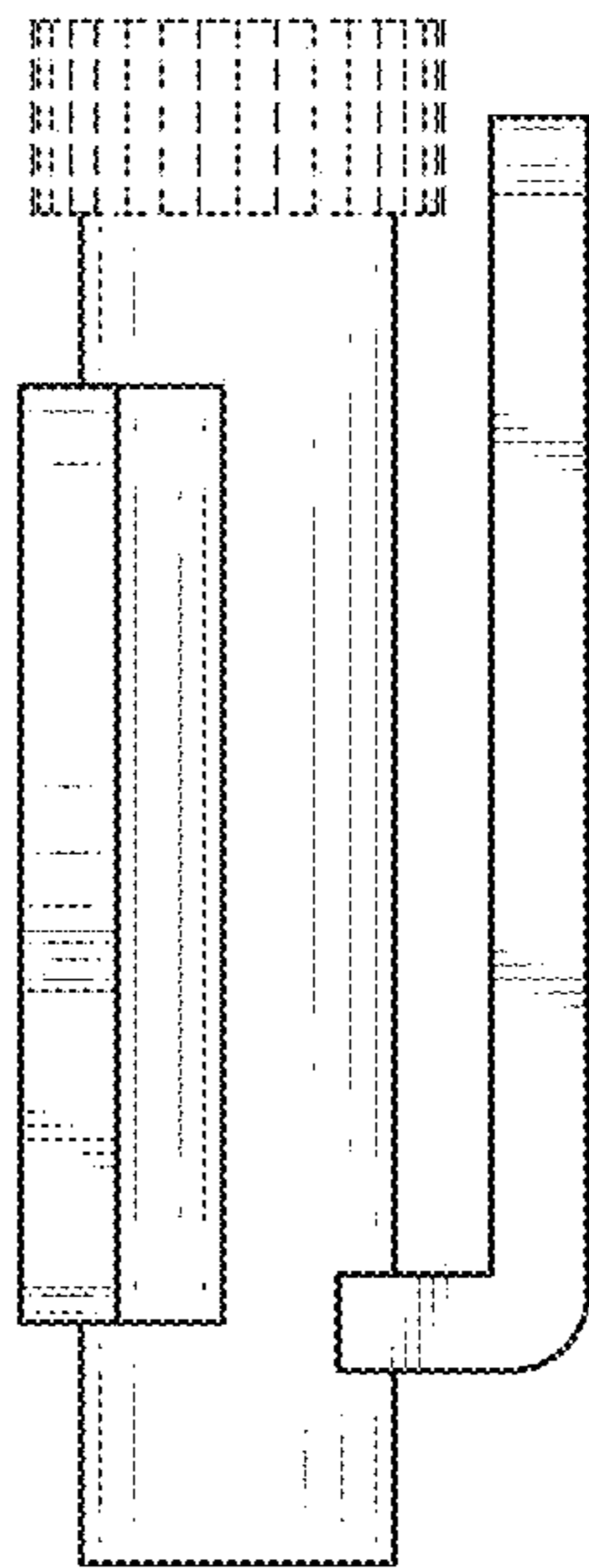


FIG. 7