

US00D962821S

(12) **United States Design Patent** (10) **Patent No.:** **US D962,821 S**
Choi (45) **Date of Patent:** **** *Sep. 6, 2022**

(54) **SNOW GLOBE BASE**
(71) Applicant: **RUI & OLIVIA CO., LTD.,**
Seogwipo-si (KR)
(72) Inventor: **Jae Jin Choi**, Seoul (KR)
(*) Notice: This patent is subject to a terminal disclaimer.
(**) Term: **15 Years**
(21) Appl. No.: **29/706,897**
(22) Filed: **Sep. 24, 2019**
(51) **LOC (13) Cl.** **11-02**
(52) **U.S. Cl.**
USPC **D11/164**
(58) **Field of Classification Search**
USPC D11/131, 131.1, 164; D23/355–367;
D9/434–437, 443–445, 449, 452–456, 499
CPC G09F 19/02; G09F 19/00; A61M
2021/0016; A61M 21/00; A61M 2205/59
See application file for complete search history.

D885,249 S * 5/2020 Wessel D11/131.1
D905,220 S * 12/2020 Farone D23/364
D905,841 S * 12/2020 Cao D23/364
D906,501 S * 12/2020 Lim D23/364
D914,188 S * 3/2021 Kaye D23/366
D916,262 S * 4/2021 Wang D23/356
D919,071 S * 5/2021 Zheng D23/364
2003/0196357 A1 * 10/2003 Knapp G09F 19/08
40/410
2004/0118024 A1 * 6/2004 Lei G09F 19/02
40/409
2010/0095570 A1 * 4/2010 Yu G09F 19/08
40/410
2014/0317971 A1 * 10/2014 Wong G09F 19/02
40/426
2015/0273100 A1 * 10/2015 David A61L 9/048
40/406
2020/0069906 A1 * 3/2020 Choi G09F 19/02

* cited by examiner

Primary Examiner — W. A. Teddy Falloway
(74) *Attorney, Agent, or Firm* — Jake K. Lee

(57) **CLAIM**

The ornamental design for a snow globe base, as shown and described.

(56) **References Cited**

U.S. PATENT DOCUMENTS

D251,984 S * 5/1979 Gombert D23/369
D293,366 S * 12/1987 O’Neil, Jr. D23/366
D355,962 S * 2/1995 Chiu D23/364
D360,029 S * 7/1995 Yoshikawa D23/365
D368,410 S * 4/1996 Shiner D7/608
D381,911 S * 8/1997 Lathrop D9/453
D382,482 S * 8/1997 Lathrop D9/453
D432,223 S * 10/2000 King D23/366
D437,923 S * 2/2001 Weick D23/366
D525,699 S * 7/2006 Davenport D23/377
D648,492 S * 11/2011 Able D30/129
D683,500 S * 5/2013 Cheung D28/38
D727,727 S * 4/2015 Fily D9/445
D781,149 S * 3/2017 Kaplan D9/499
D842,051 S * 3/2019 Laustsen D7/624.2
D842,052 S * 3/2019 Laustsen D7/624.2

DESCRIPTION

FIG. 1 is a front and top side perspective view of a snow globe base;
FIG. 2 is a front elevation view thereof;
FIG. 3 is a rear elevation view thereof;
FIG. 4 is a left side elevation view thereof;
FIG. 5 is a right side elevation view thereof;
FIG. 6 is a top plan view thereof;
FIG. 7 is a bottom plan view thereof;
FIG. 8 is another front, top perspective view thereof; and,
FIG. 9 is an exploded bottom perspective thereof.
The broken lines used in the drawings are for the purpose of illustrating environmental structure and form no part of the claimed design.

1 Claim, 9 Drawing Sheets

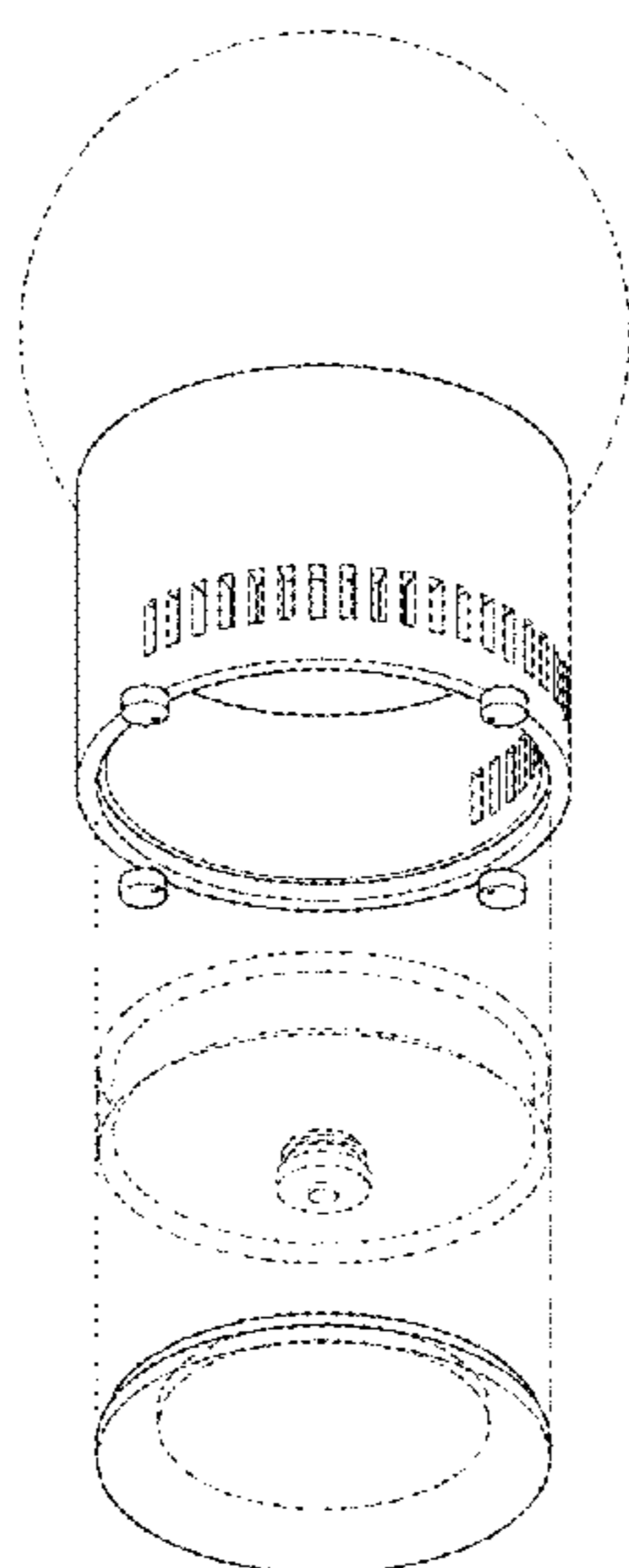


FIG. 1

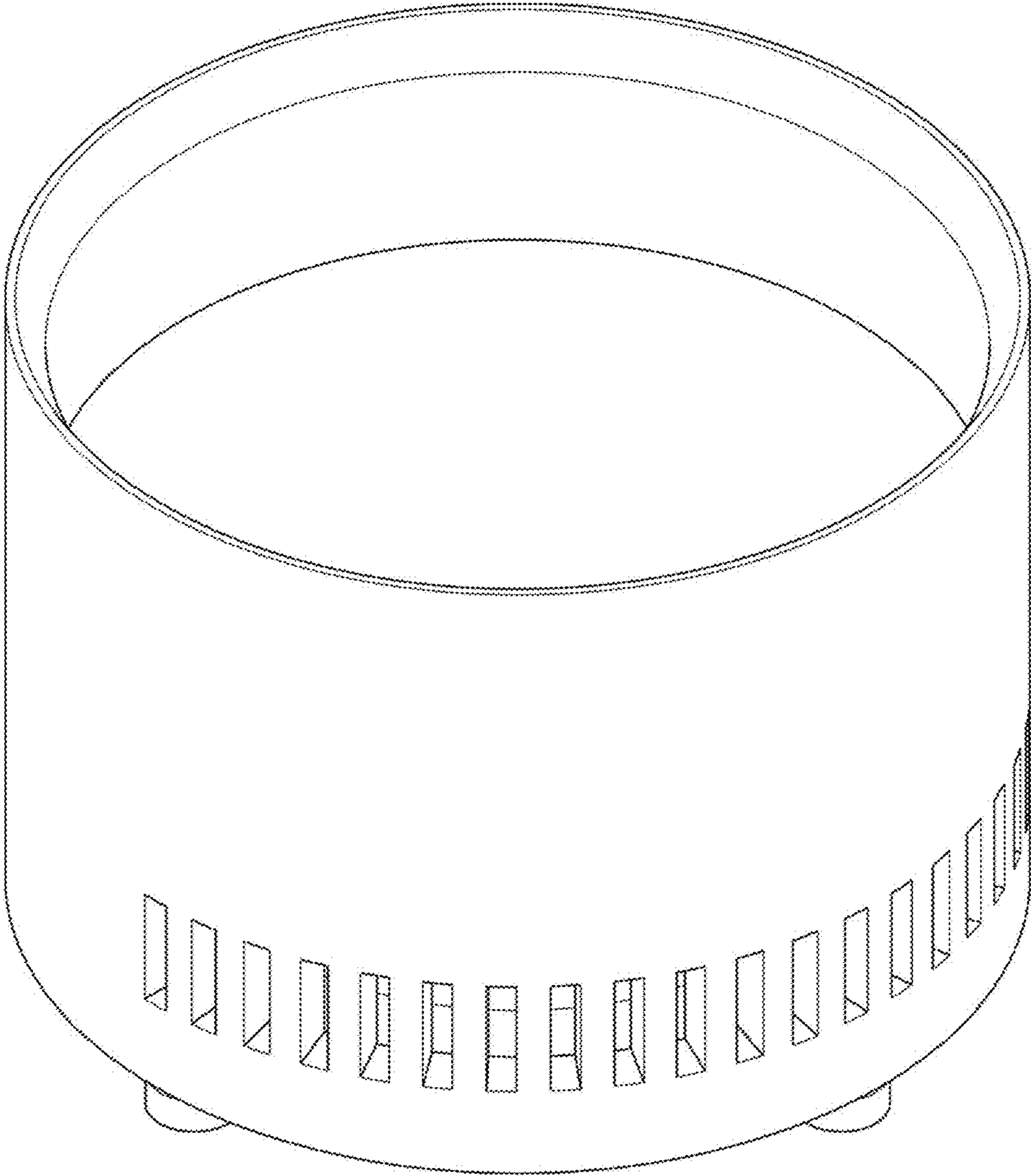


FIG. 2

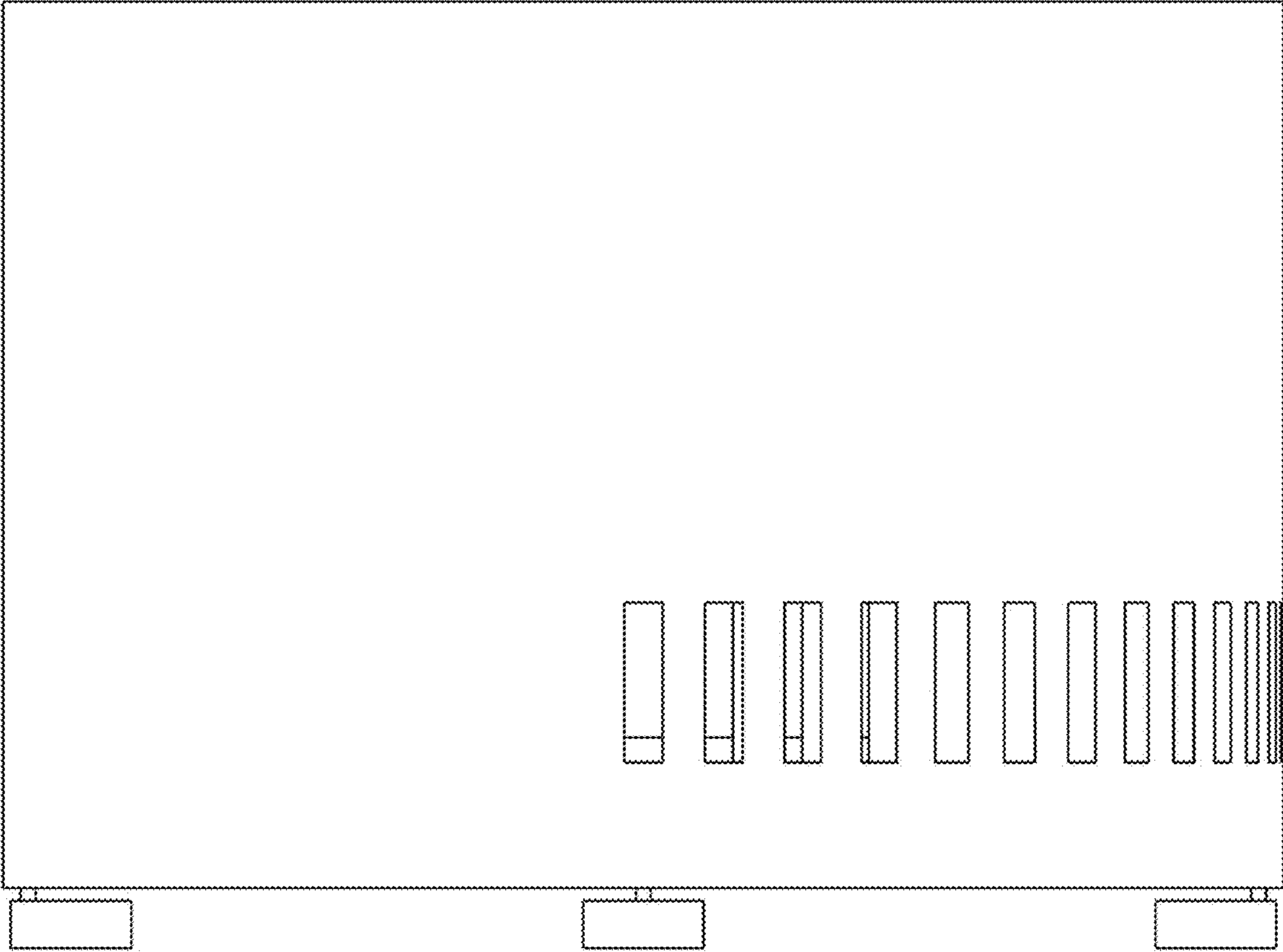


FIG. 3

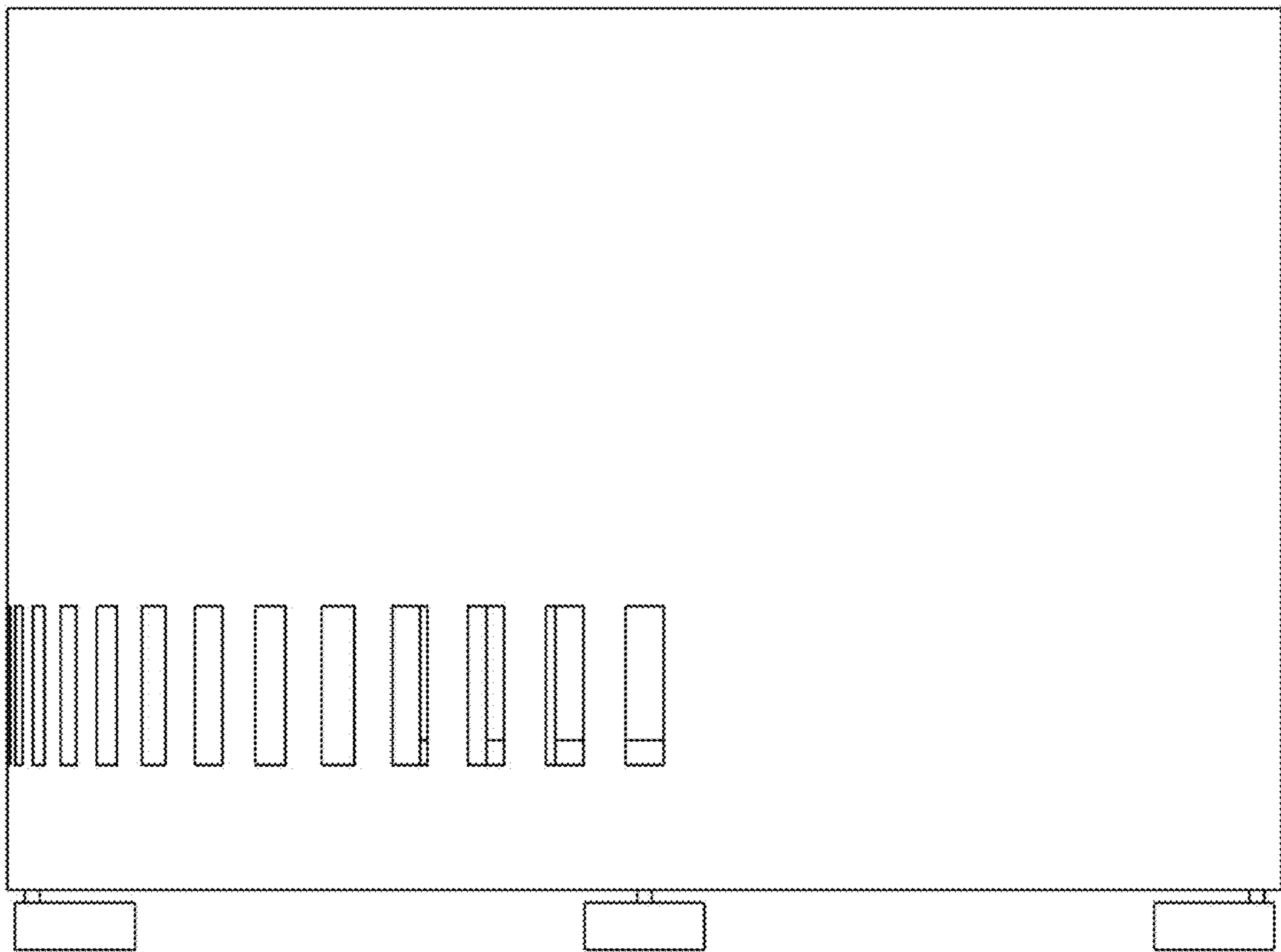


FIG. 4

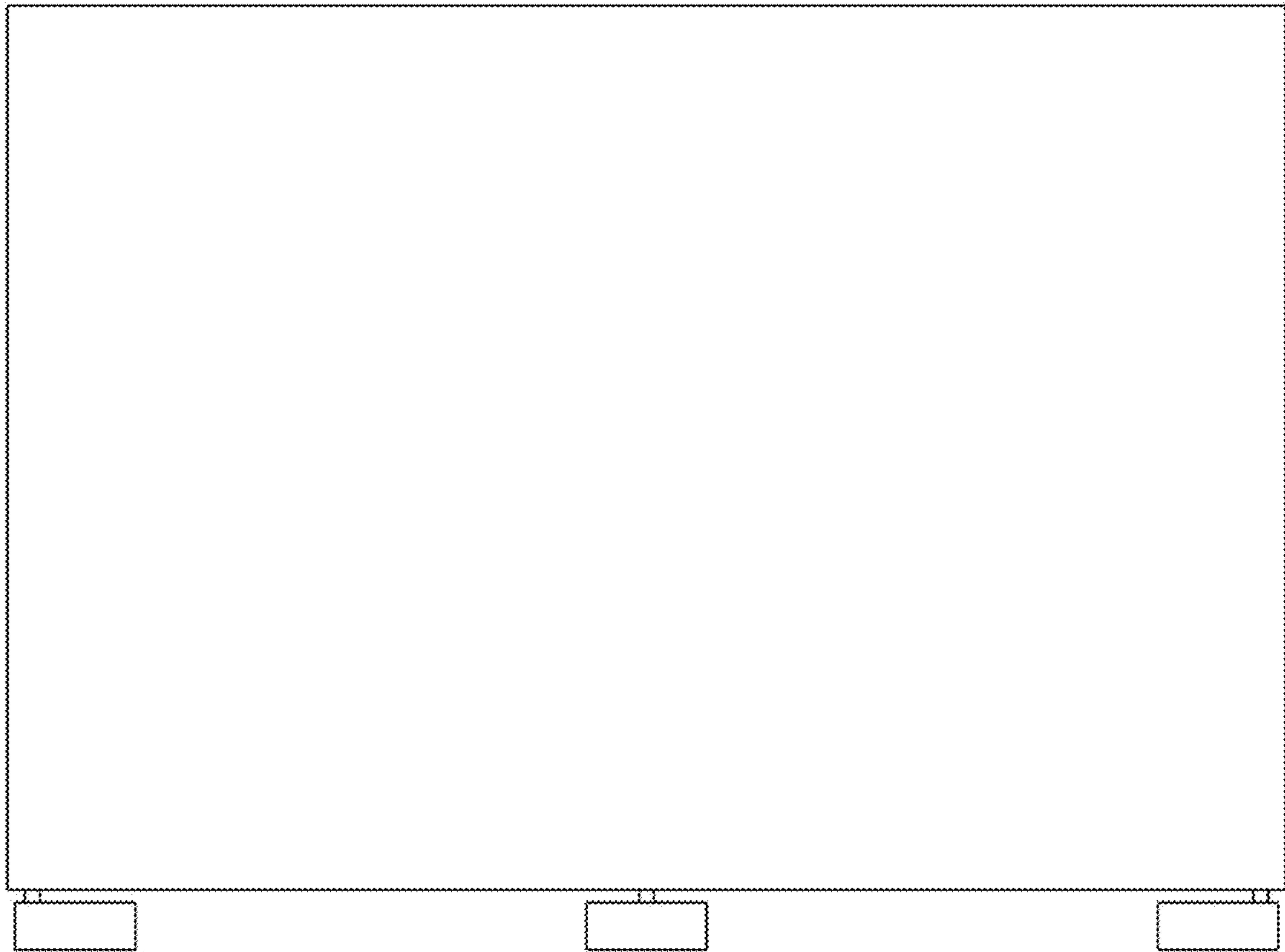


FIG. 5

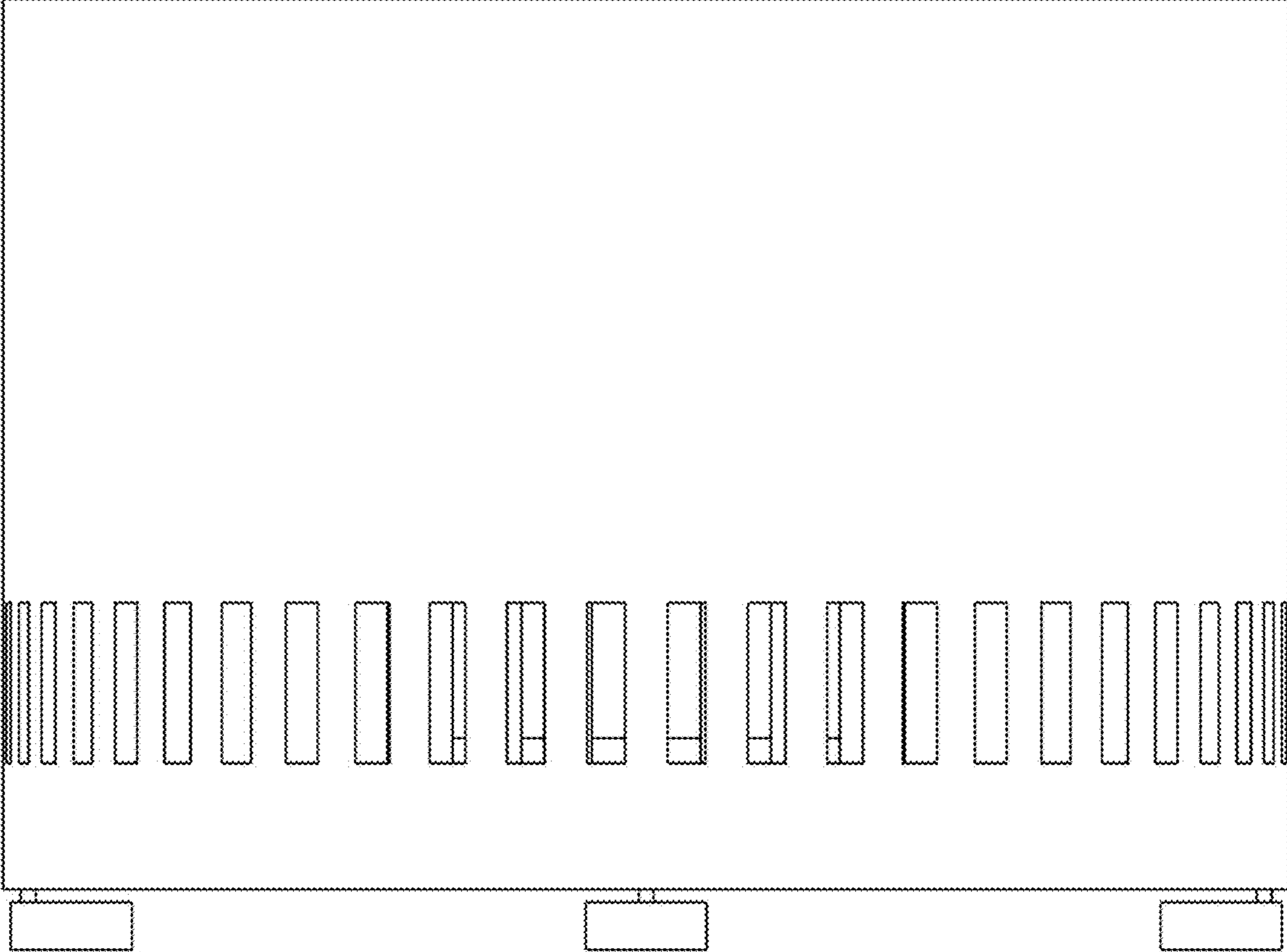


FIG. 6

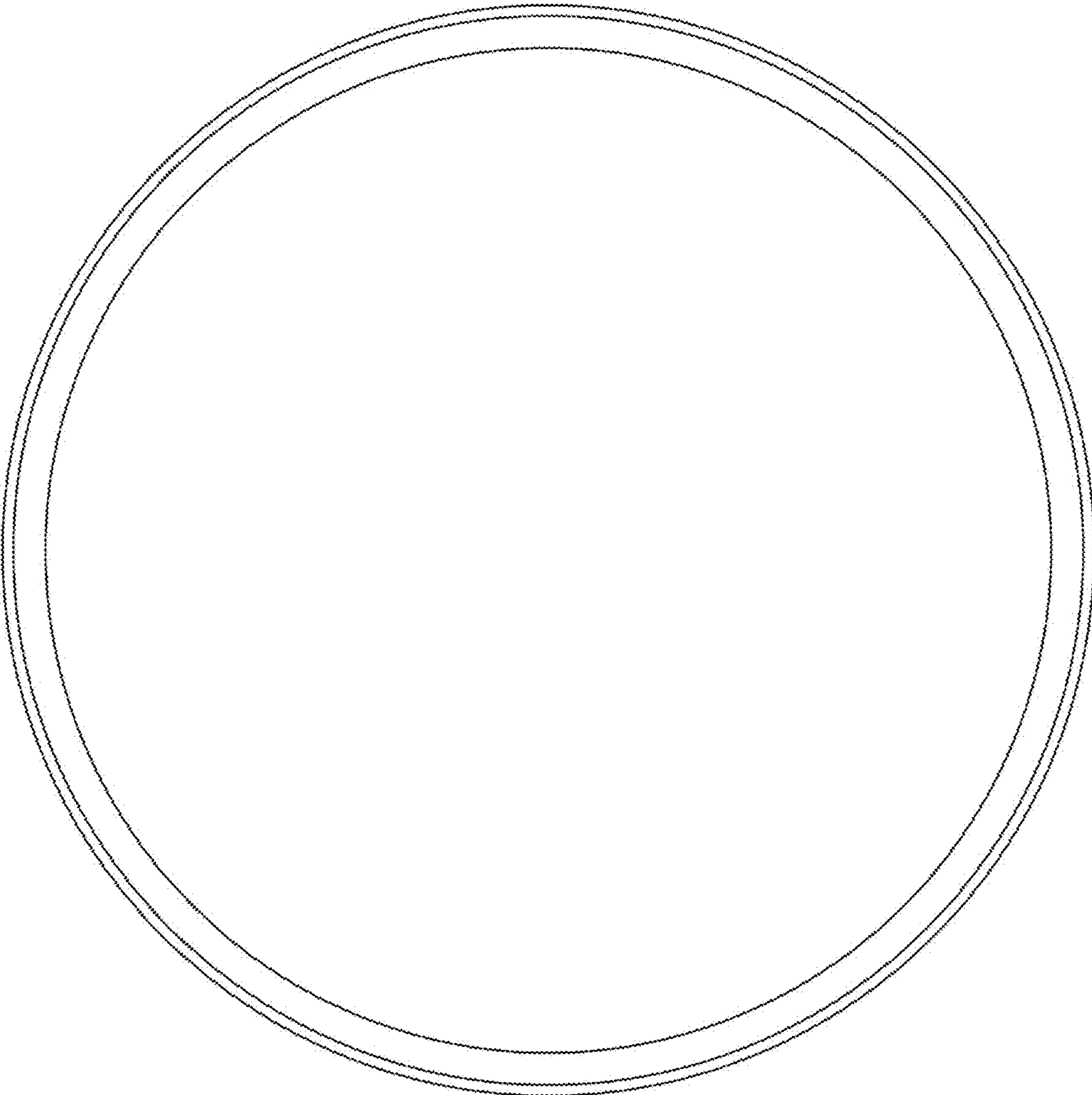


FIG. 7

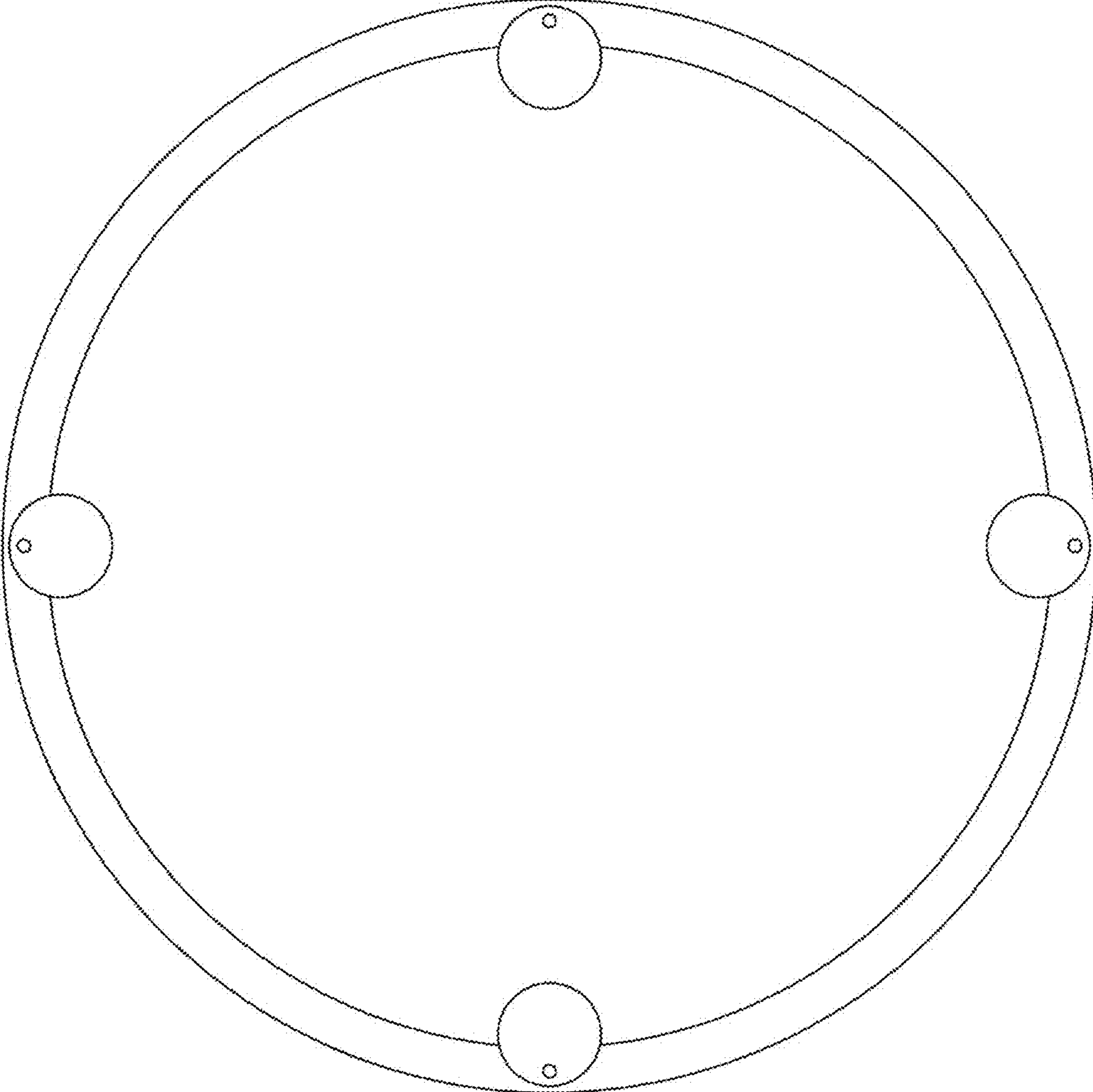


FIG. 8

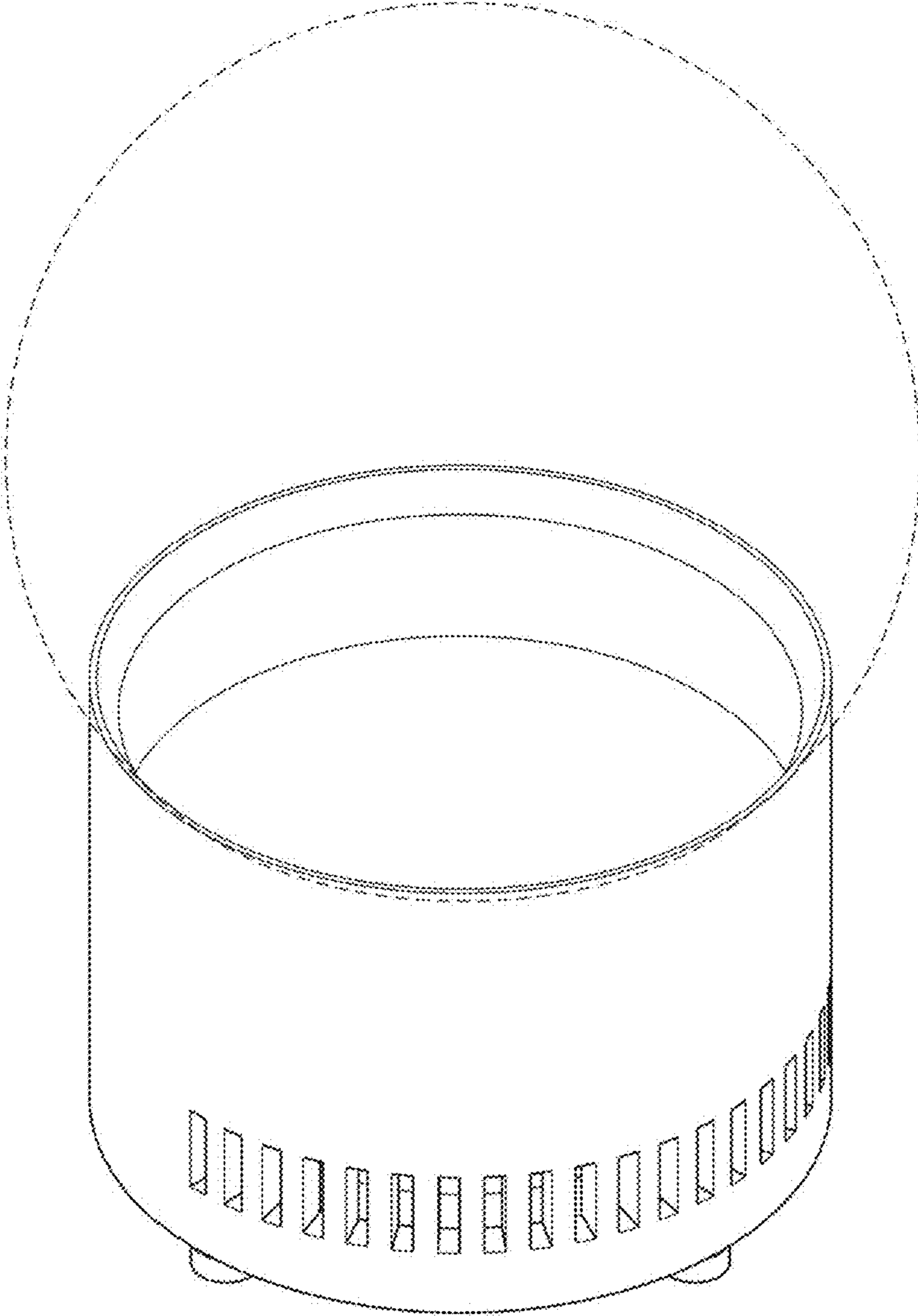


FIG. 9

