



US00D962807S

(12) **United States Design Patent** (10) **Patent No.:** **US D962,807 S**
Shen (45) **Date of Patent:** **** Sep. 6, 2022**

(54) **PROTECTIVE CASE FOR A WATCH**
(71) Applicant: **Xiufang Shen**, Shenzhen (CN)
(72) Inventor: **Xiufang Shen**, Shenzhen (CN)

D925,385 S * 7/2021 Lin D14/440
D954,584 S * 6/2022 Zhou D10/132
D957,266 S * 7/2022 Zhou D10/38
2016/0313702 A1* 10/2016 Jufer G04B 37/005
2019/0369563 A1* 12/2019 Chen G04B 37/22

(**) Term: **15 Years**

FOREIGN PATENT DOCUMENTS

(21) Appl. No.: **29/797,538**

CN 20213040269.0 * 6/2021
EM 008726517-001 * 10/2021

(22) Filed: **Jul. 1, 2021**

* cited by examiner

(51) **LOC (13) Cl.** **10-07**

Primary Examiner — Katherine Glennon

(52) **U.S. Cl.**
USPC **D10/132; D14/440**

(58) **Field of Classification Search**
USPC D10/30-39, 132; D11/3; D14/344, 440
CPC A45C 11/10; A45C 11/12; A45C 13/002;
G04B 37/005

See application file for complete search history.

(57) **CLAIM**

The ornamental design for a protective case for a watch, as shown and described.

(56) **References Cited**

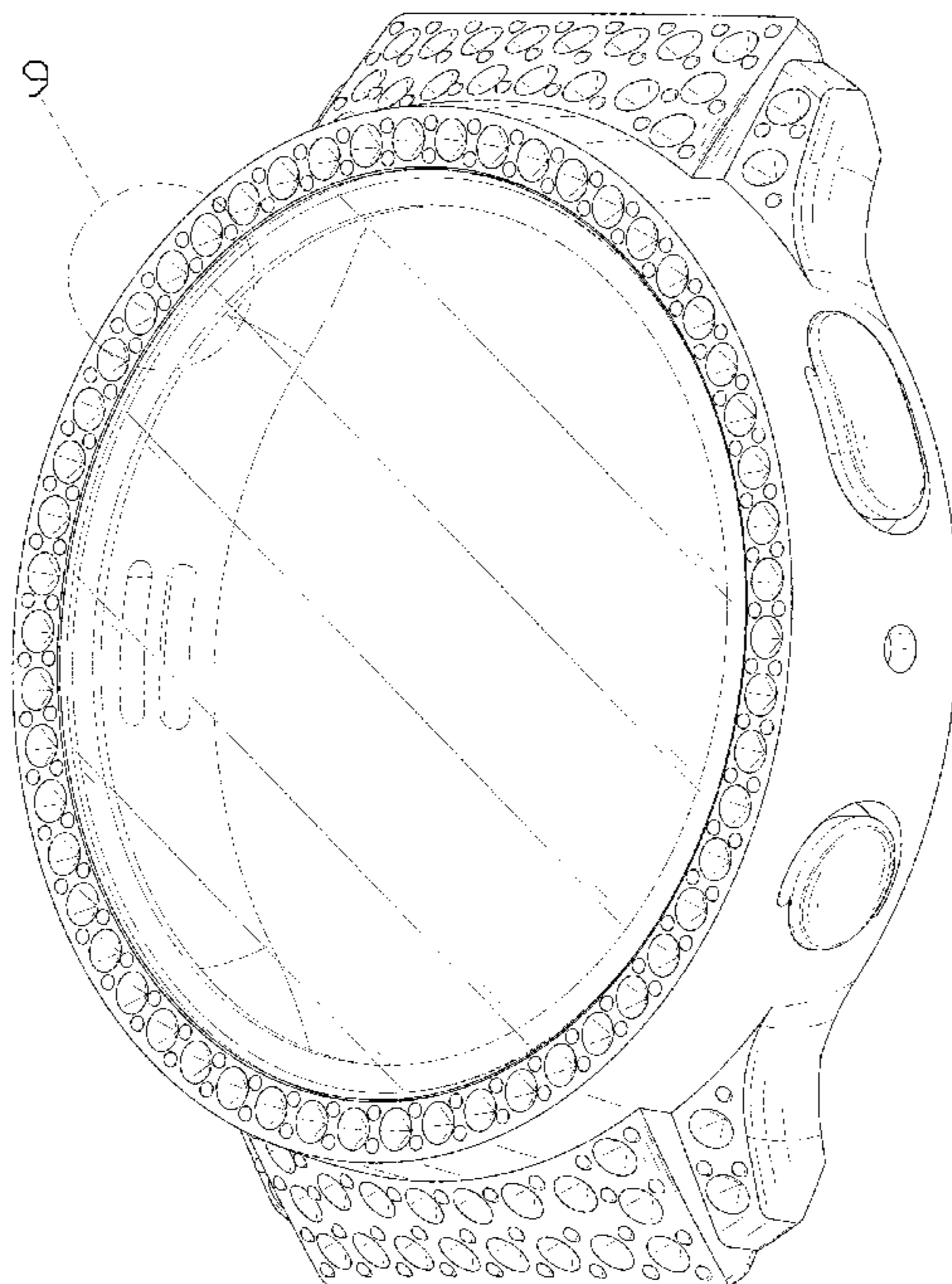
DESCRIPTION

U.S. PATENT DOCUMENTS

D476,580 S * 7/2003 Galvani D10/30
D677,586 S * 3/2013 Graff D10/39
D784,837 S * 4/2017 Kuramoto D10/132
D850,968 S * 6/2019 Zhang D10/132
D867,166 S * 11/2019 Cabral D10/39
D870,571 S * 12/2019 Stern A41D 19/0027
D10/38
D882,564 S * 4/2020 Jung D14/344
D893,474 S * 8/2020 Chung D14/344
D897,350 S * 9/2020 Wang D14/440
D902,768 S * 11/2020 Lin D14/440
D909,903 S * 2/2021 Lin D10/132
D913,139 S * 3/2021 Ren D14/440
D915,223 S * 4/2021 Cabral D10/39
D915,412 S * 4/2021 Jung D14/440
D920,147 S * 5/2021 Qu
D923,002 S * 6/2021 Hong D14/344

FIG. 1 is a perspective view of a protective case for a watch showing my new design;
FIG. 2 is another perspective view thereof;
FIG. 3 is a front elevational view thereof;
FIG. 4 is a rear elevational view thereof;
FIG. 5 is a left side elevational view thereof;
FIG. 6 is a right side elevational view thereof;
FIG. 7 is a top plan view thereof;
FIG. 8 is a bottom plan view thereof; and,
FIG. 9 is an enlarged view of the protective case for a watch shown within the area designated as 9 in FIG. 1.
The dot-dashed broken line in FIGS. 9 shows the boundary of the enlarged view and forms no part of the claimed design.

1 Claim, 9 Drawing Sheets



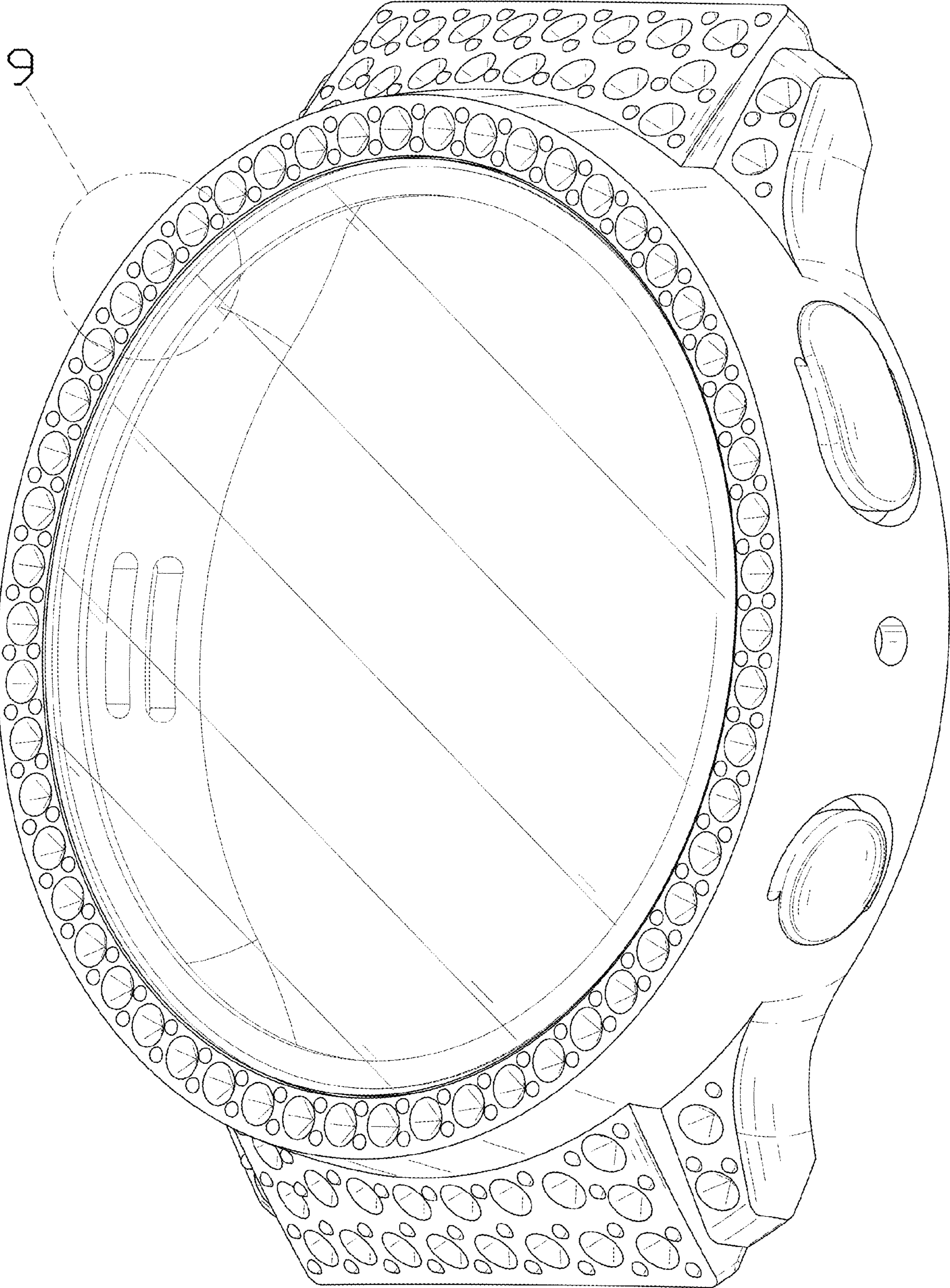


FIG. 1

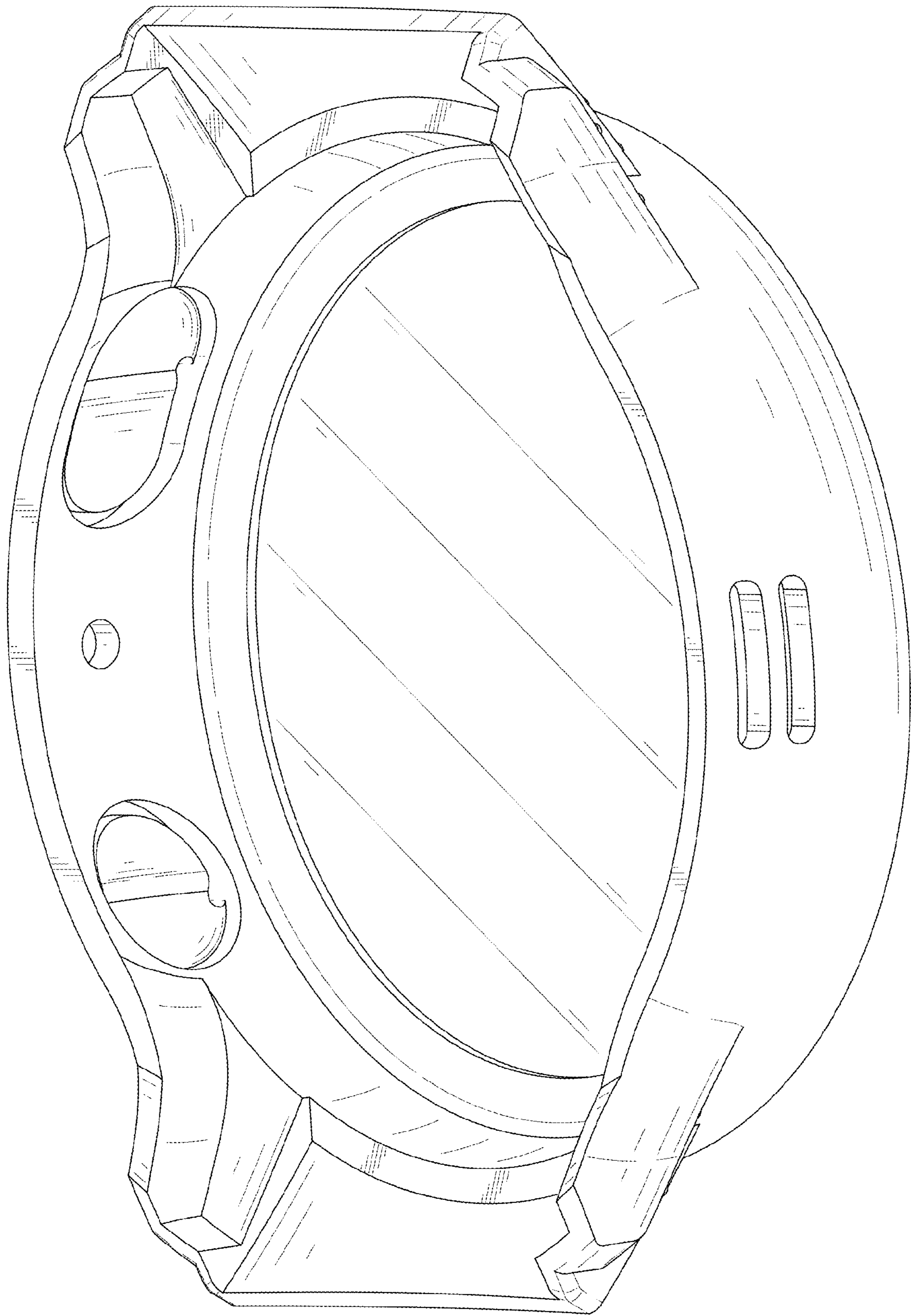


FIG. 2

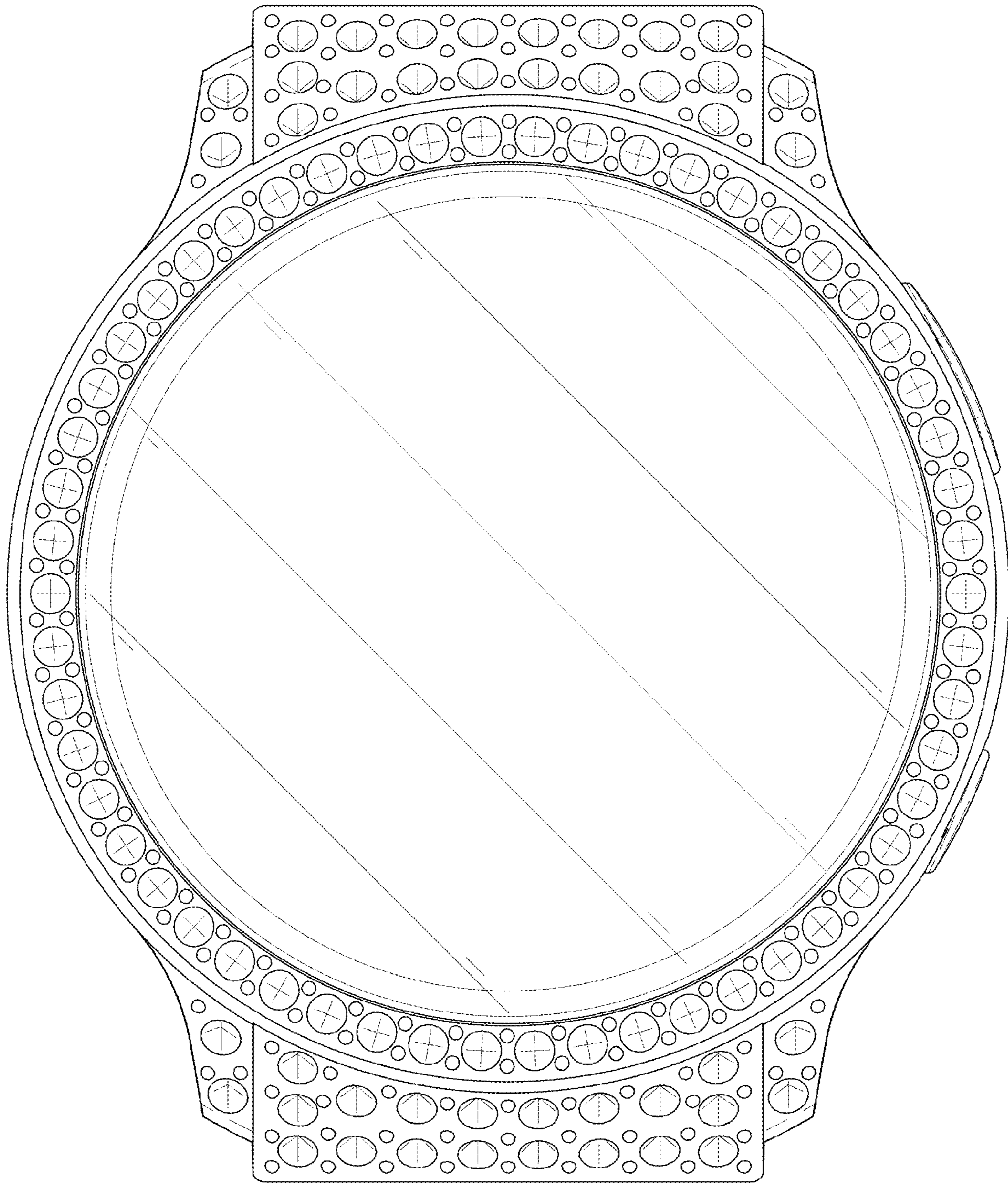


FIG. 3

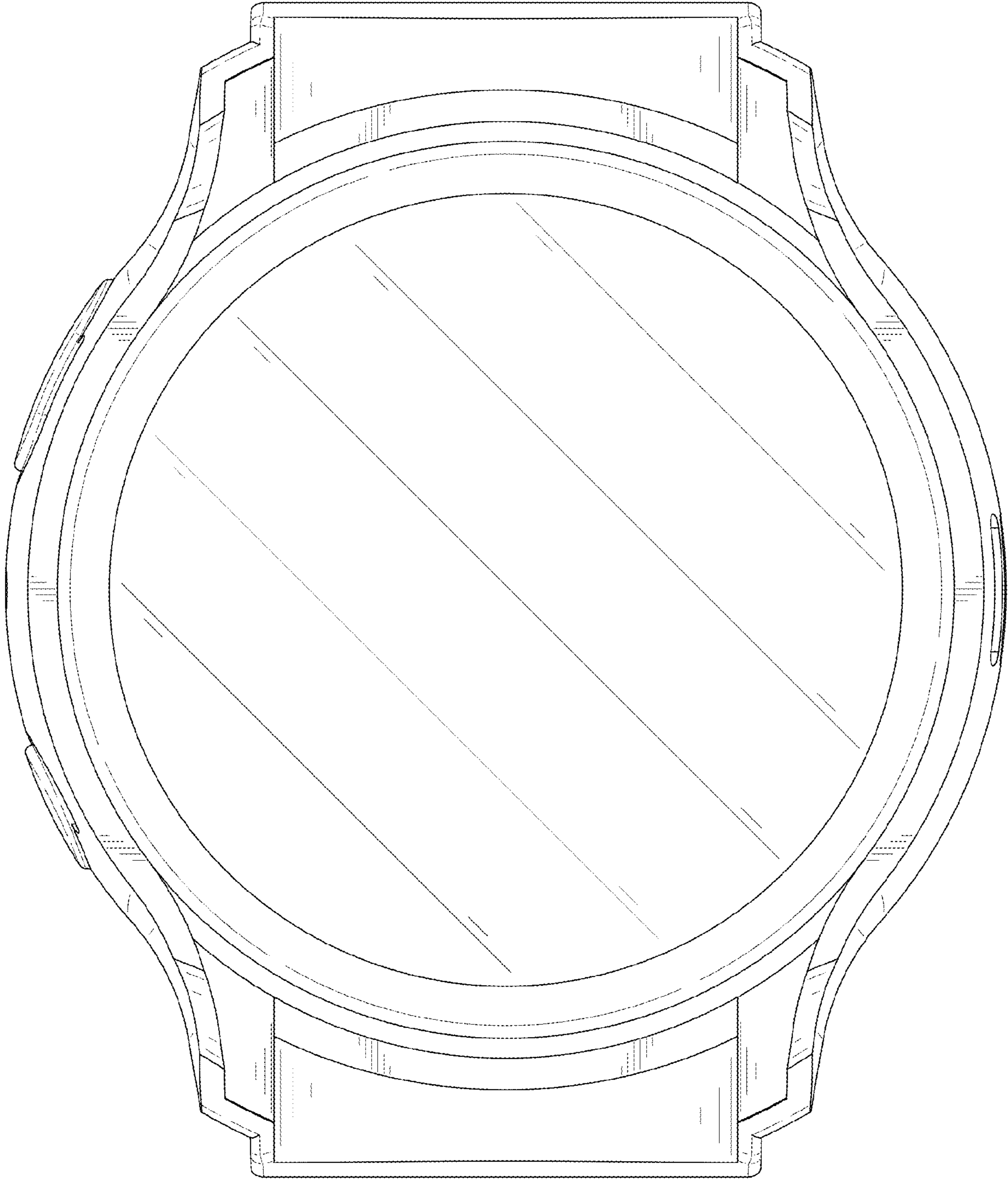


FIG. 4

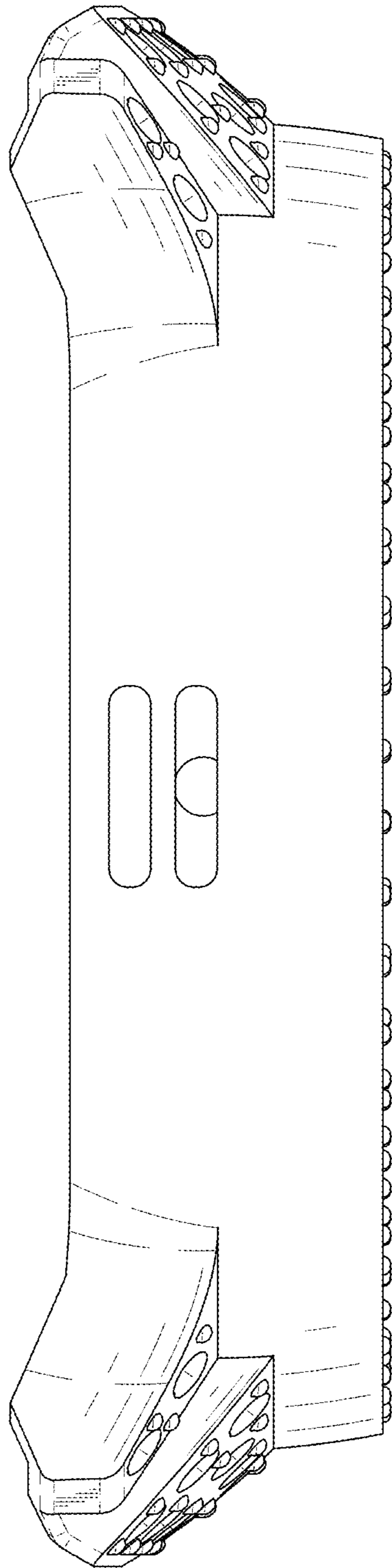


FIG. 5

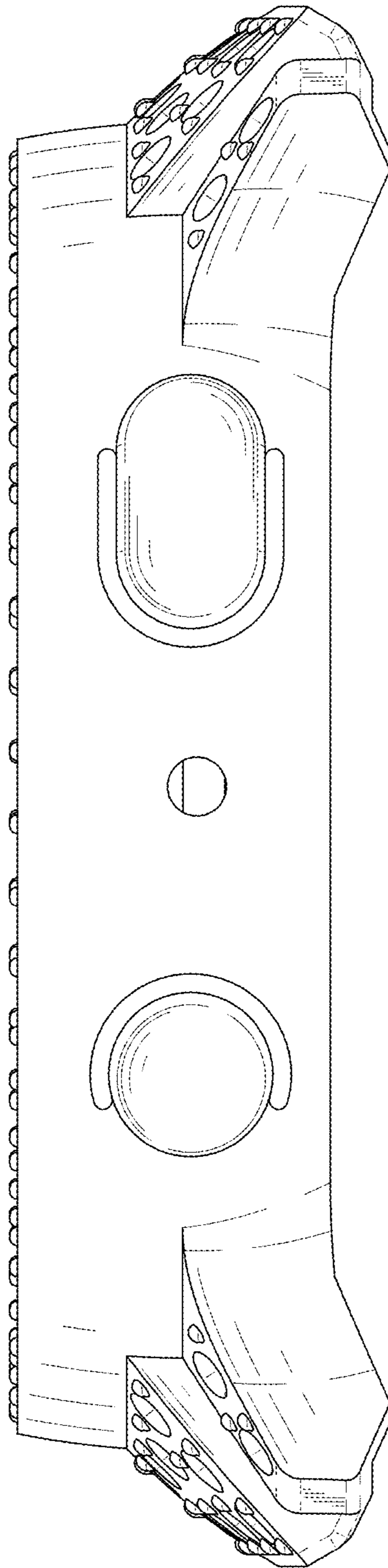


FIG. 6

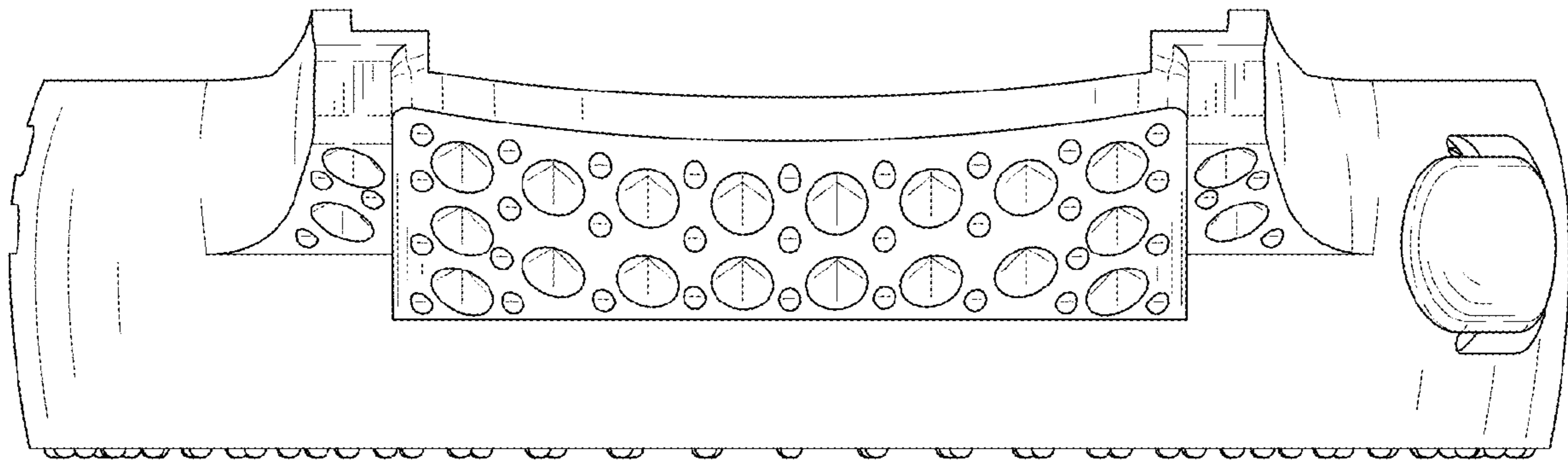


FIG. 7

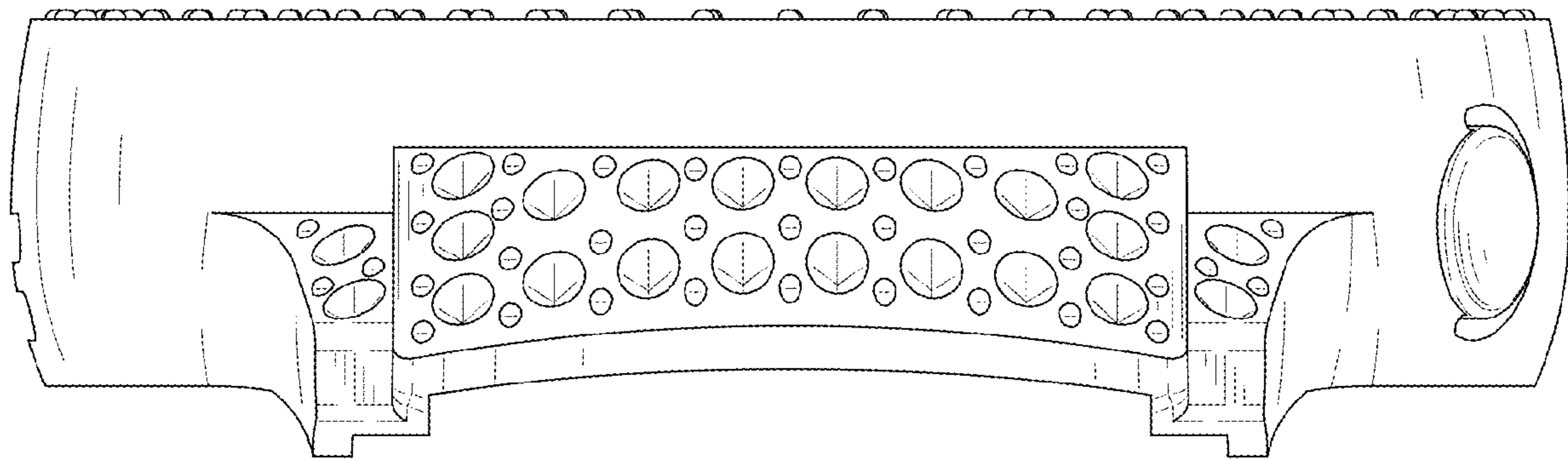


FIG. 8

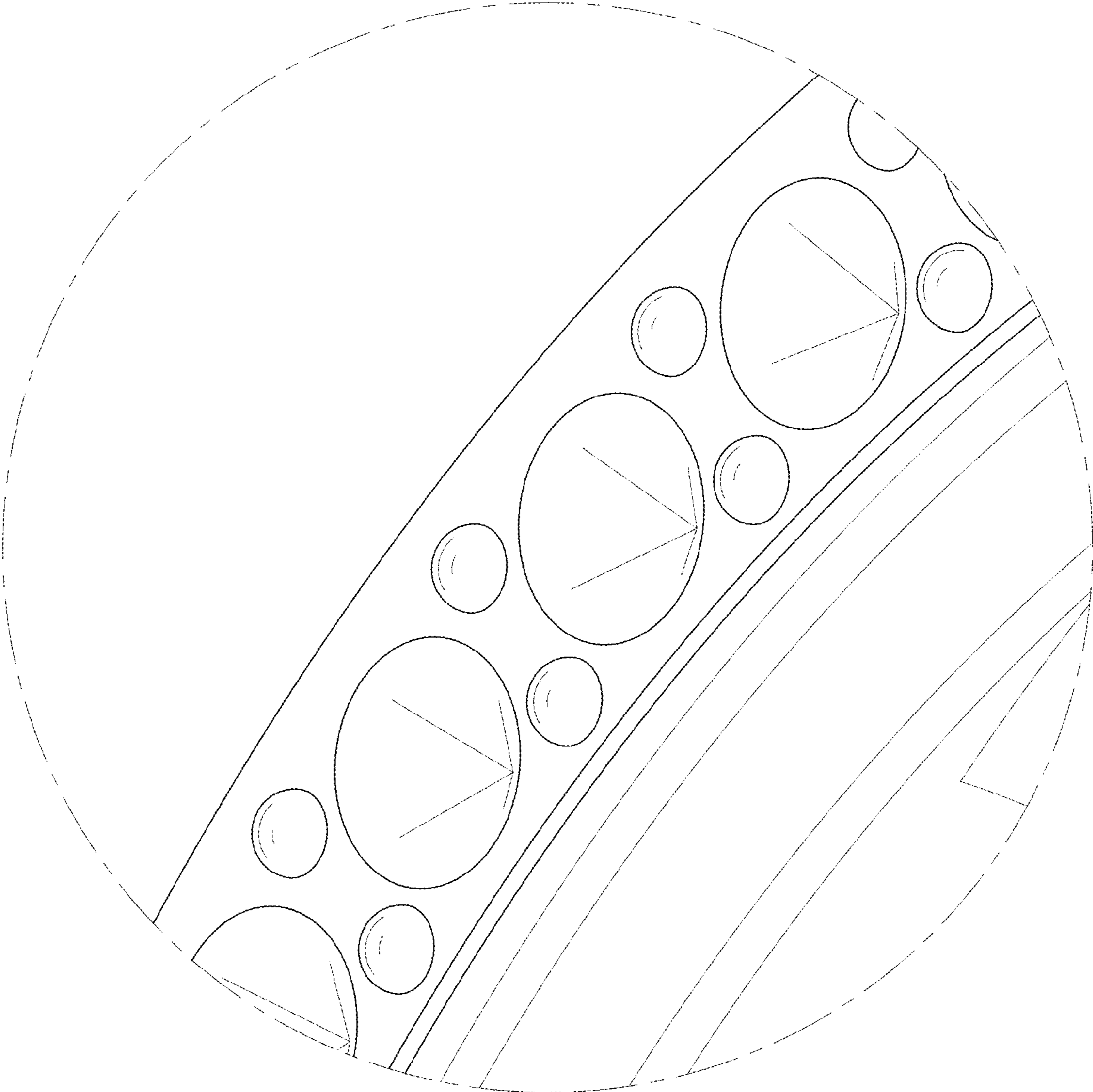


FIG. 9