



US00D962806S

(12) **United States Design Patent**
Miller

(10) **Patent No.:** **US D962,806 S**

(45) **Date of Patent:** **** Sep. 6, 2022**

(54) **SECURITY TAG**

(71) Applicant: **Sensormatic Electronics, LLC**, Boca Raton, FL (US)

(72) Inventor: **Channing Miller**, Fort Lauderdale, FL (US)

(73) Assignee: **SENSORMATIC ELECTRONICS, LLC**, Boca Raton, FL (US)

(**) Term: **15 Years**

(21) Appl. No.: **29/747,984**

(22) Filed: **Aug. 26, 2020**

(51) **LOC (13) Cl.** **10-05**

(52) **U.S. Cl.**
USPC **D10/106.91**

(58) **Field of Classification Search**
USPC D10/106.9, 106.91–106.94, 106.1,
D10/104.1–104.2, 109.2, 121; D16/134,
D16/208, 217
CPC G08B 13/2434; E05B 73/0017; Y10T
70/5004; Y10T 70/5009
See application file for complete search history.

(56) **References Cited**

U.S. PATENT DOCUMENTS

D178,767 S	9/1956	DeGrave, Jr.	
D199,440 S	10/1964	Jones et al.	
D318,812 S *	8/1991	Matsuura	D24/135
D328,753 S	8/1992	Surber	
D337,775 S	7/1993	Takahashi	
D343,368 S *	1/1994	Witzky	D10/106.91
D347,650 S	6/1994	Takahashi	
D379,361 S	5/1997	Leonard	
D389,502 S	1/1998	Lee	
D432,442 S *	10/2000	Sayegh	D10/106.91
D453,472 S	2/2002	Kwong	
6,449,991 B1 *	9/2002	Hogan	E05B 73/0017 70/57.1

D471,121 S *	3/2003	Perez	D10/106.91
D472,630 S	4/2003	Douglas et al.	
D479,995 S	9/2003	Duceppe	
D532,710 S *	11/2006	Sisk	D10/60
D540,363 S	4/2007	Tokiwa et al.	
D568,363 S	5/2008	Funakoshi	
D649,076 S *	11/2011	Alexander	D10/106.9
D696,150 S *	12/2013	Wu	D10/106.9
D696,151 S *	12/2013	Wu	D10/106.9
D696,600 S *	12/2013	Wu	D10/106.9
D709,398 S *	7/2014	Leyden	D10/106.9
D714,670 S *	10/2014	Wu	D10/106.9
D732,389 S	6/2015	Nickel	
D747,386 S *	1/2016	Li	D16/208
D758,568 S	6/2016	Wohlfahrt et al.	
D768,492 S	10/2016	Kim	

(Continued)

Primary Examiner — George D. Kirschbaum

Assistant Examiner — Lillian Windham

(74) *Attorney, Agent, or Firm* — ArentFox Schiff LLP

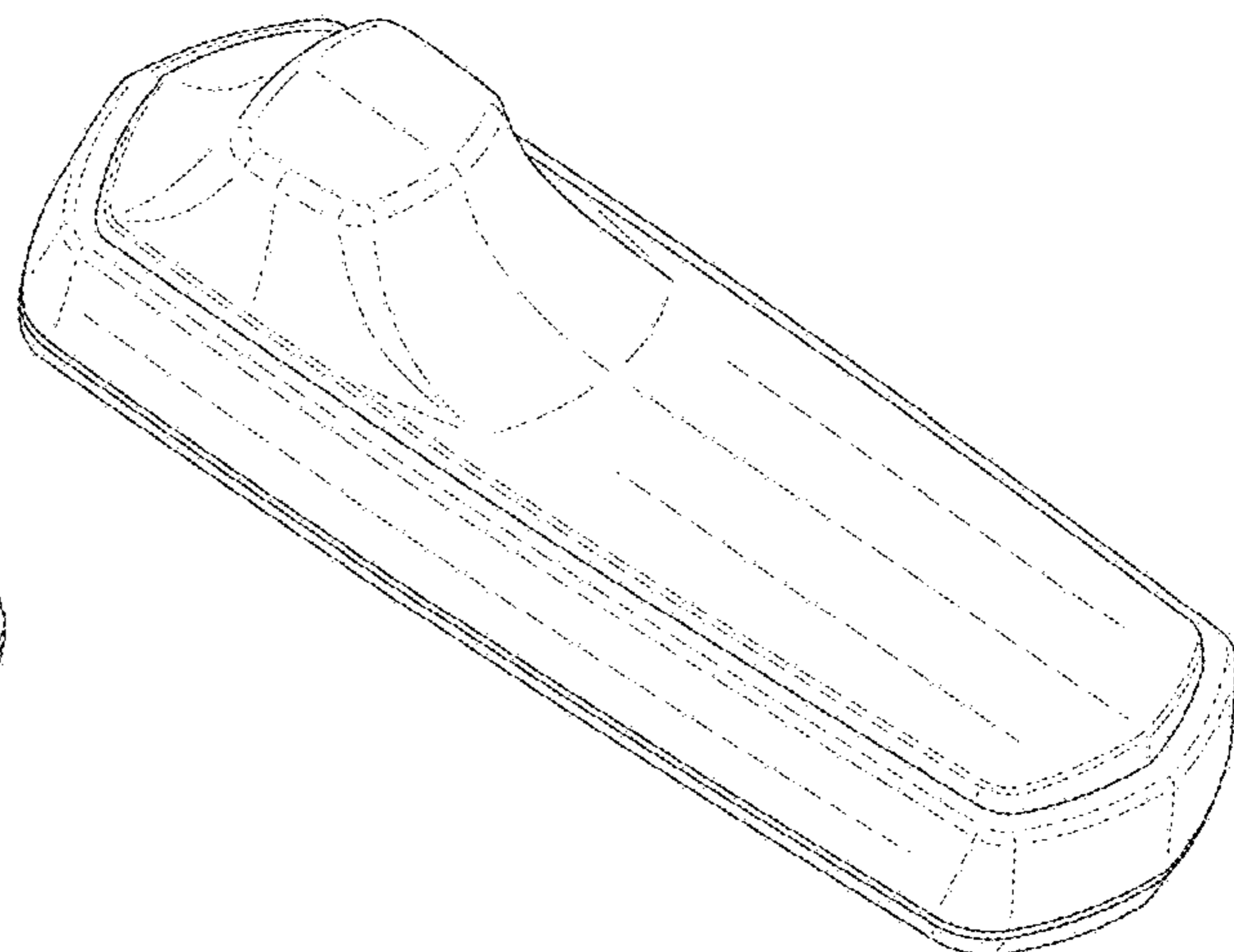
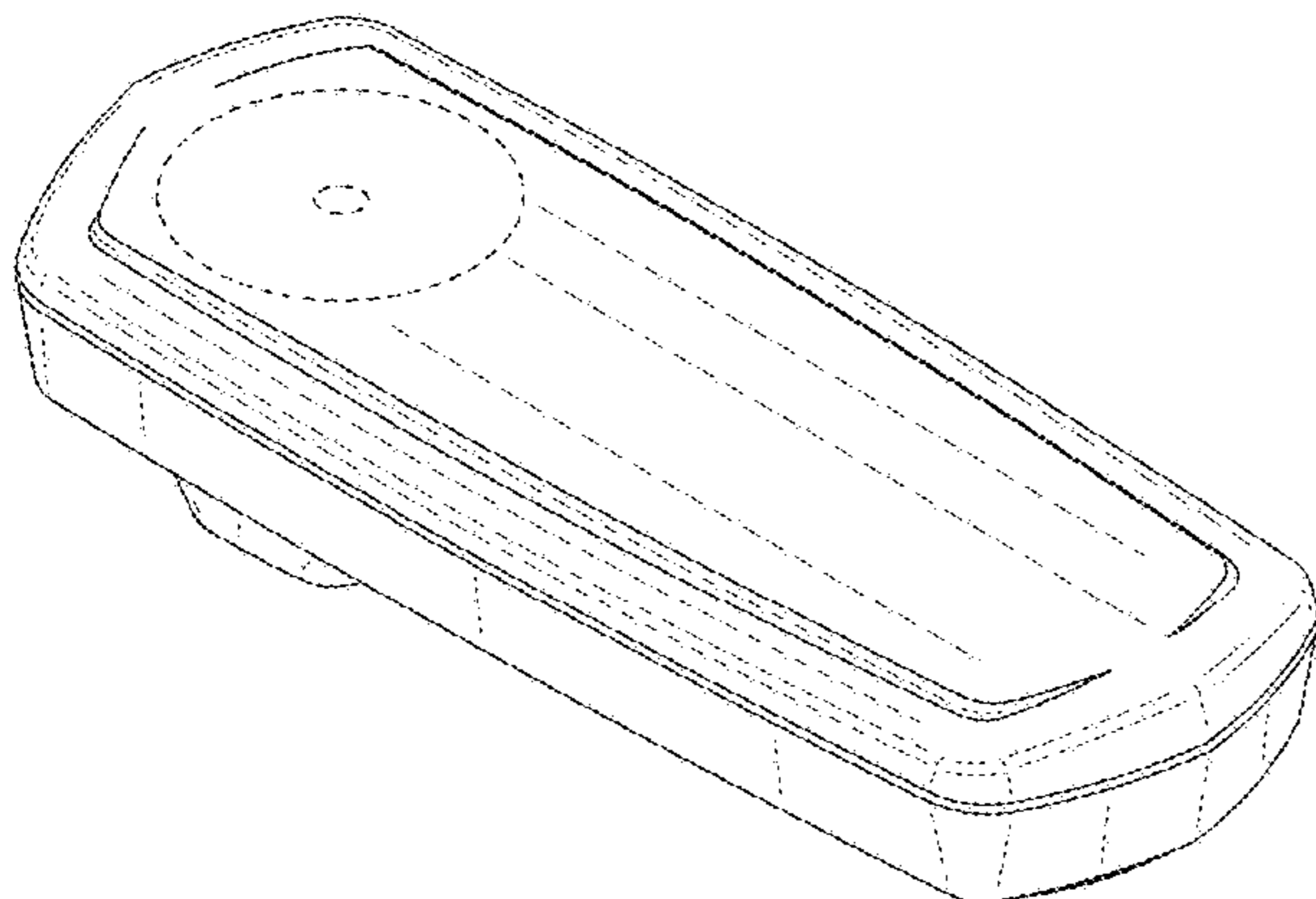
(57) **CLAIM**

The ornamental design for a security tag, as shown and described.

DESCRIPTION

FIG. 1 is a perspective view of a security tag showing my new design;
FIG. 2 is a bottom perspective view of the design shown in FIG. 1;
FIG. 3 is a left side view of the design shown in FIG. 1;
FIG. 4 is a right side view of the design shown in FIG. 1;
FIG. 5 is a front view of the design shown in FIG. 1;
FIG. 6 is a rear view of the design shown in FIG. 1;
FIG. 7 is a top view of the design shown in FIG. 1; and,
FIG. 8 is a bottom view of the design shown in FIG. 1.
The broken lines shown in the figures are included for the purpose of illustrating portions of the security tag and form no part of the claimed design.

1 Claim, 8 Drawing Sheets



(56)

References Cited

U.S. PATENT DOCUMENTS

D772,089 S * 11/2016 Yang D10/106.91
D776,867 S 1/2017 Rado
D787,054 S 5/2017 Rini et al.
D810,281 S 2/2018 Holmqvist et al.
D816,831 S 5/2018 Sacchetti
D830,539 S 10/2018 Boyaval et al.
D844,236 S 3/2019 Tidnam
D858,284 S 9/2019 Murac
D867,880 S 11/2019 Sacchetti
D876,229 S 2/2020 Sacchetti
D881,007 S 4/2020 Christianson
D882,070 S 4/2020 Inoh et al.
D882,440 S * 4/2020 Miller D10/106.91
D885,953 S * 6/2020 Napthine D10/106.91
D886,281 S 6/2020 Boyaval et al.
D890,330 S 7/2020 Wang et al.
D890,915 S 7/2020 Wang et al.
D899,926 S 10/2020 Guduru
D902,386 S 11/2020 Guala
D906,805 S 1/2021 Guduru
D915,918 S * 4/2021 Miller D10/106.91
D925,027 S 7/2021 Zanotti
D926,967 S 8/2021 Rogge
D926,972 S 8/2021 Coats
D926,976 S 8/2021 Phillips
11,156,022 B2 * 10/2021 Claeys E05B 73/0017
D941,145 S 1/2022 Wang et al.
11,225,363 B2 1/2022 Guduru
2012/0225143 A1 9/2012 Soliz et al.
2016/0258192 A1 9/2016 Bouan
2018/0334836 A1 * 11/2018 Miller E05B 73/0052
2021/0097831 A1 * 4/2021 Miller E05B 73/0052

* cited by examiner

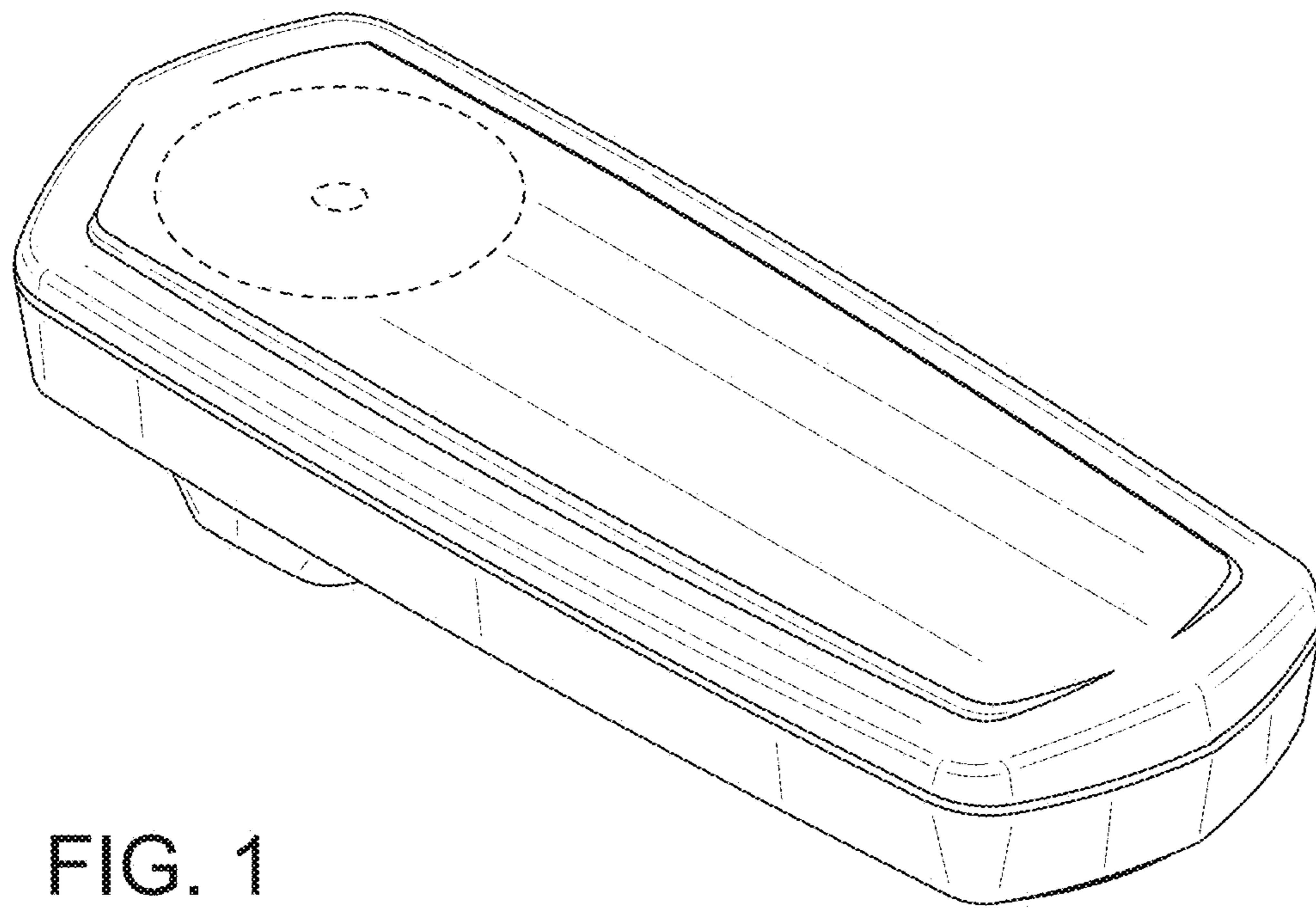


FIG. 1

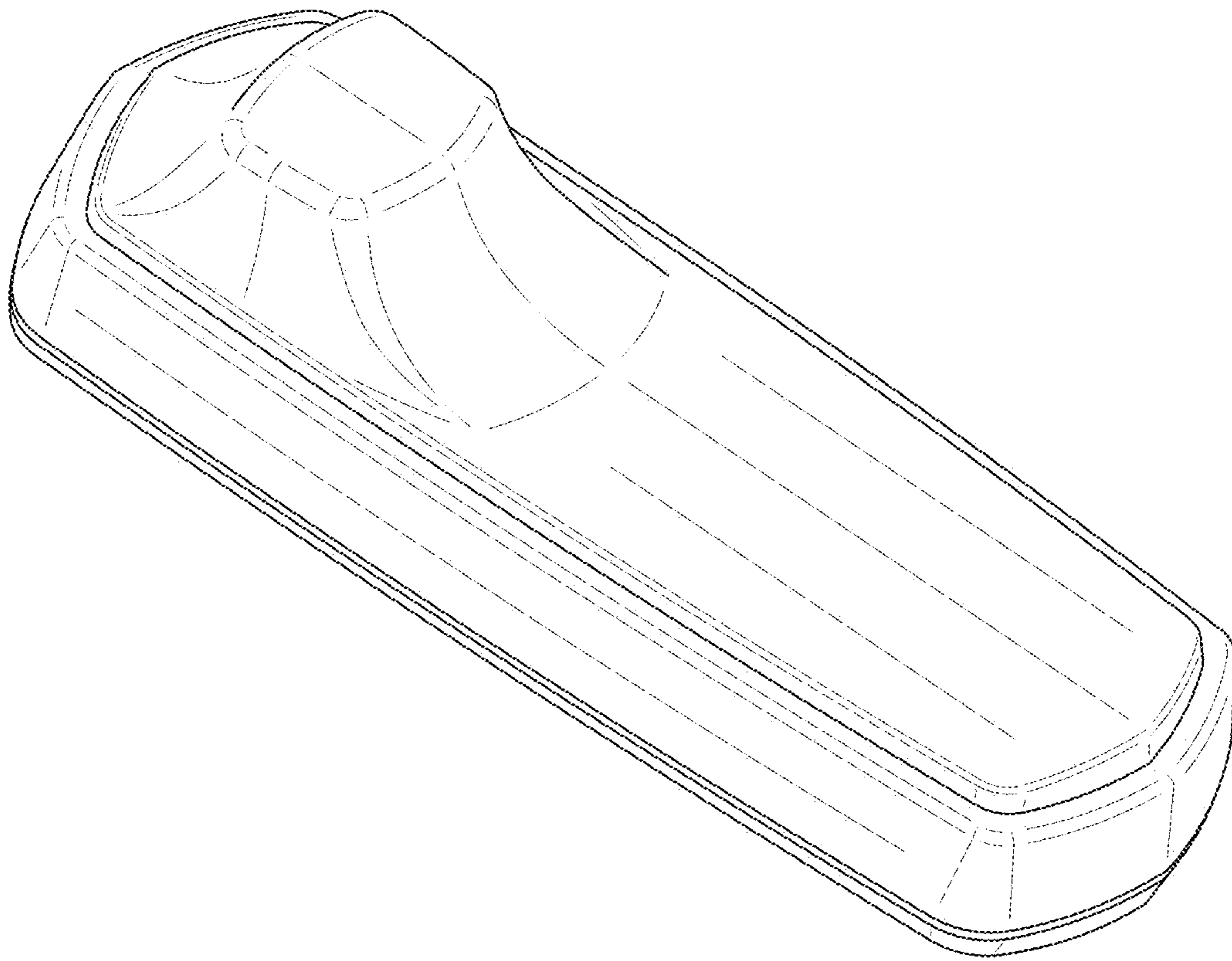


FIG. 2

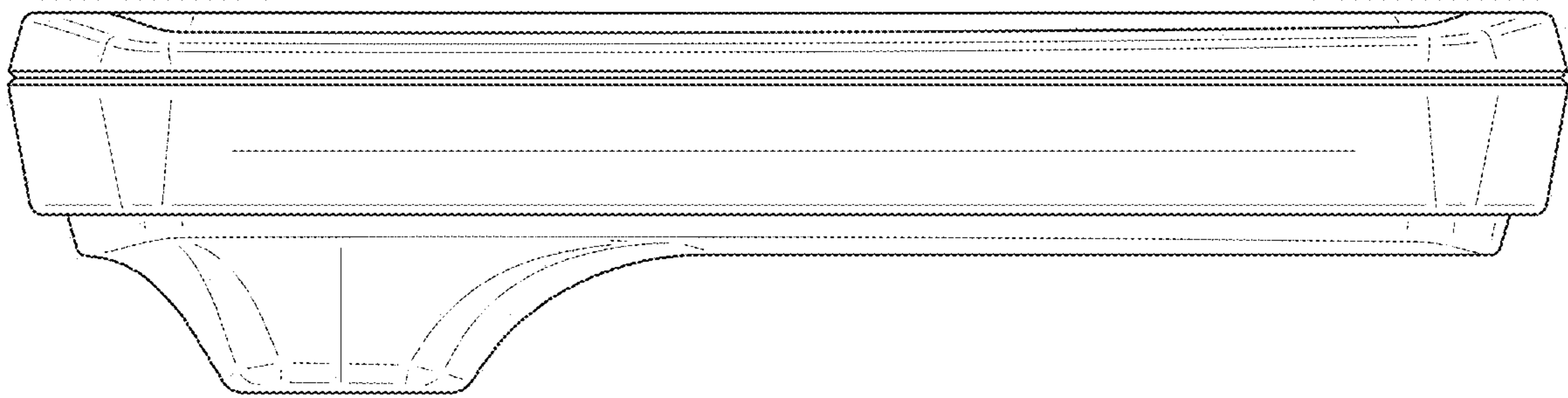


FIG. 3

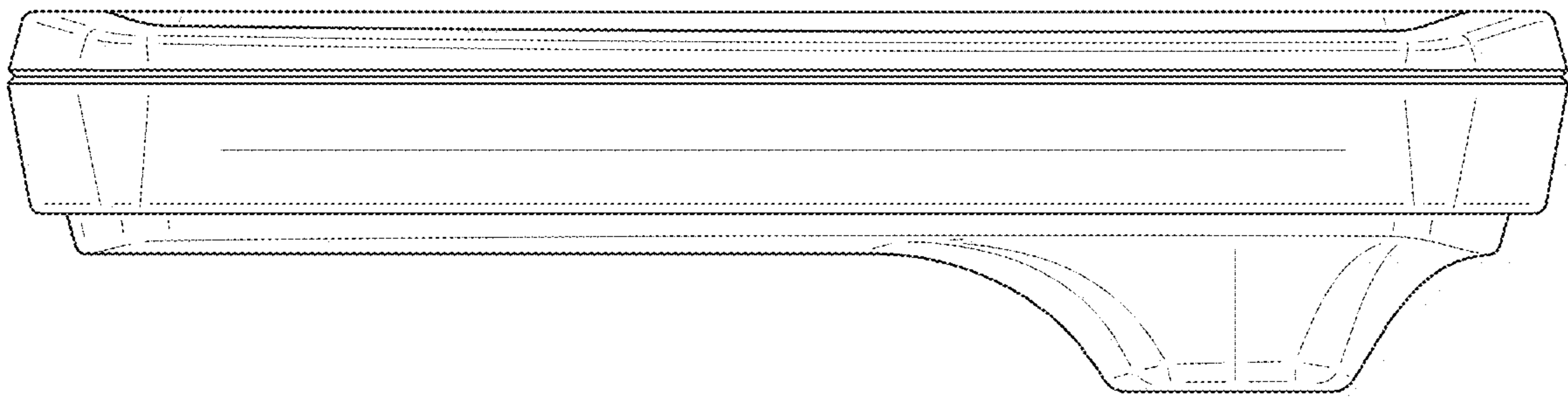


FIG. 4

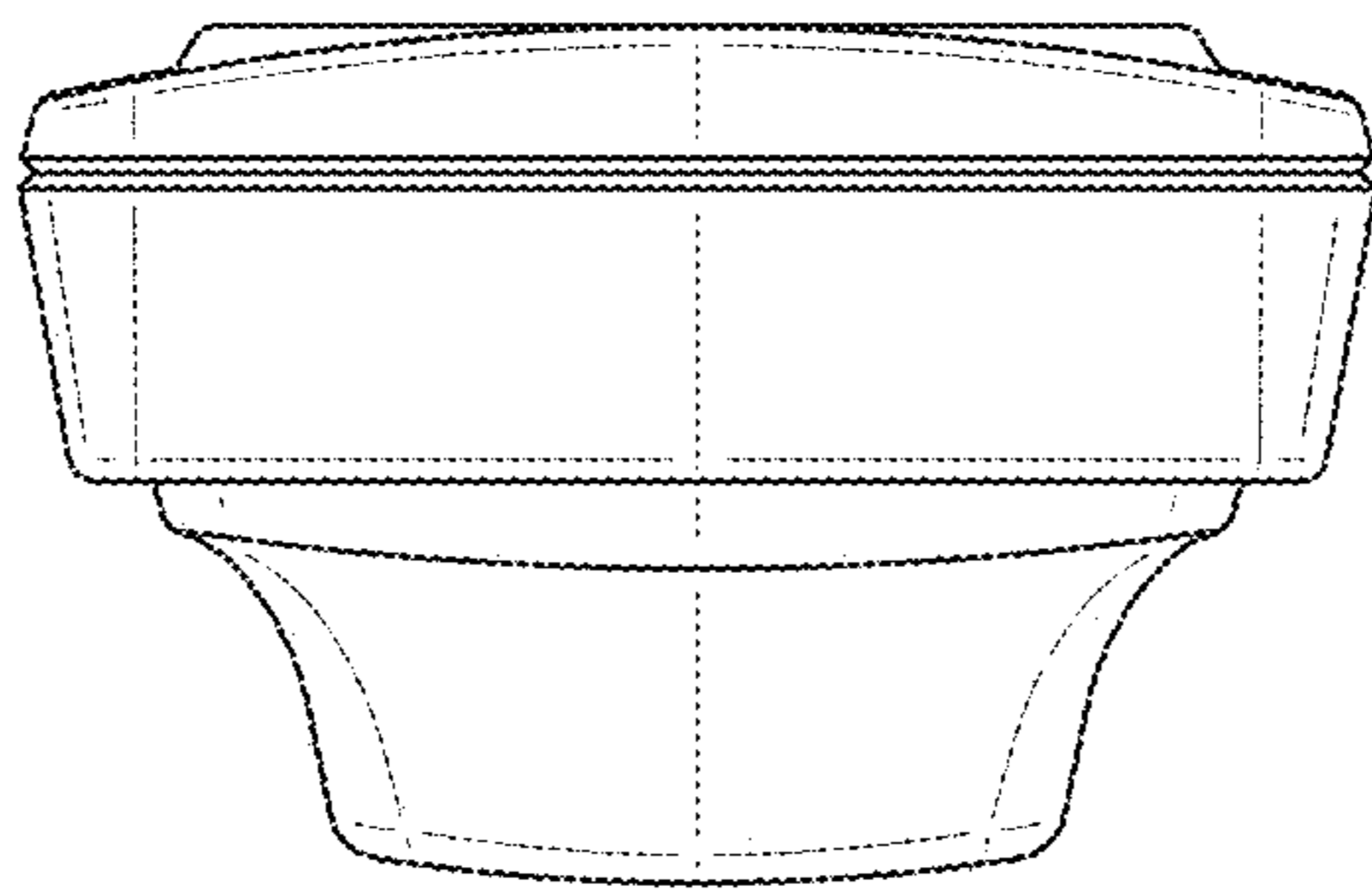


FIG. 5

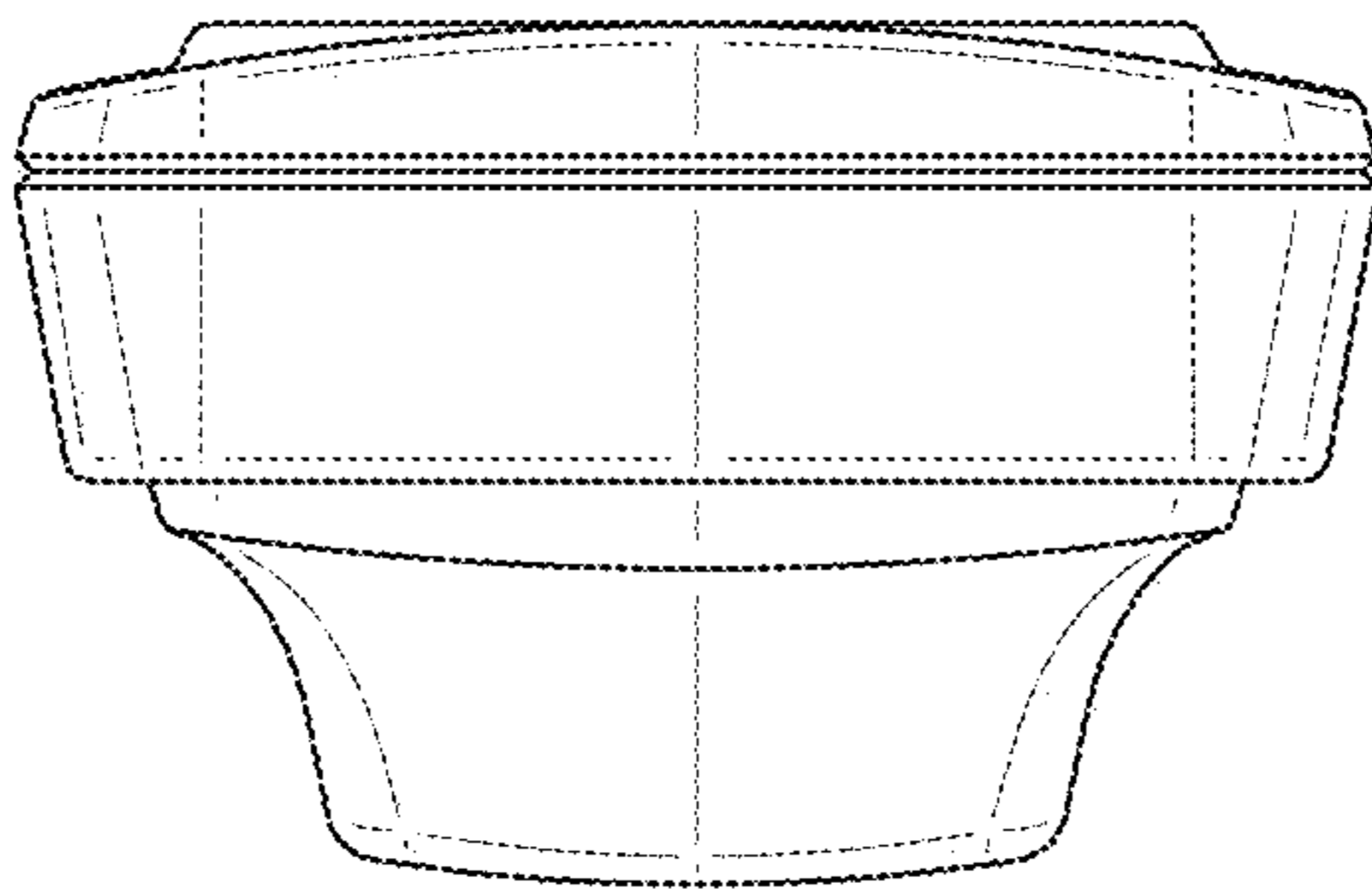


FIG. 6

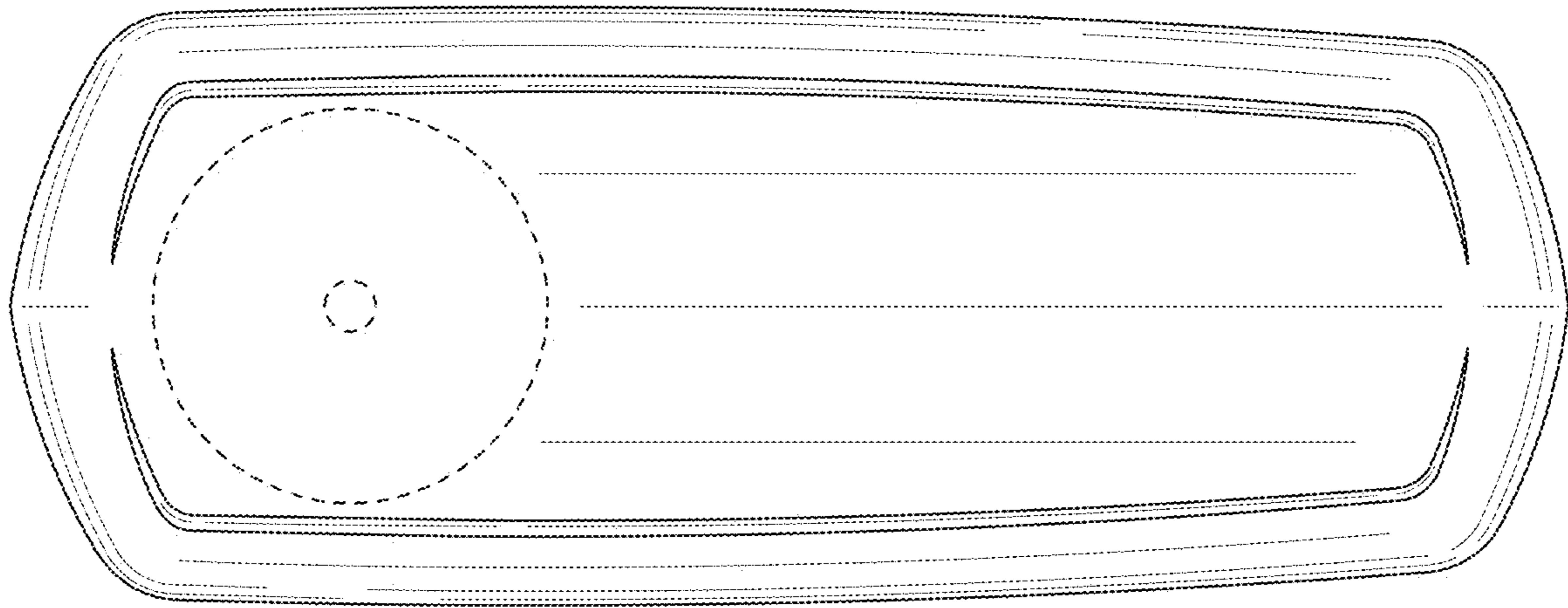


FIG. 7

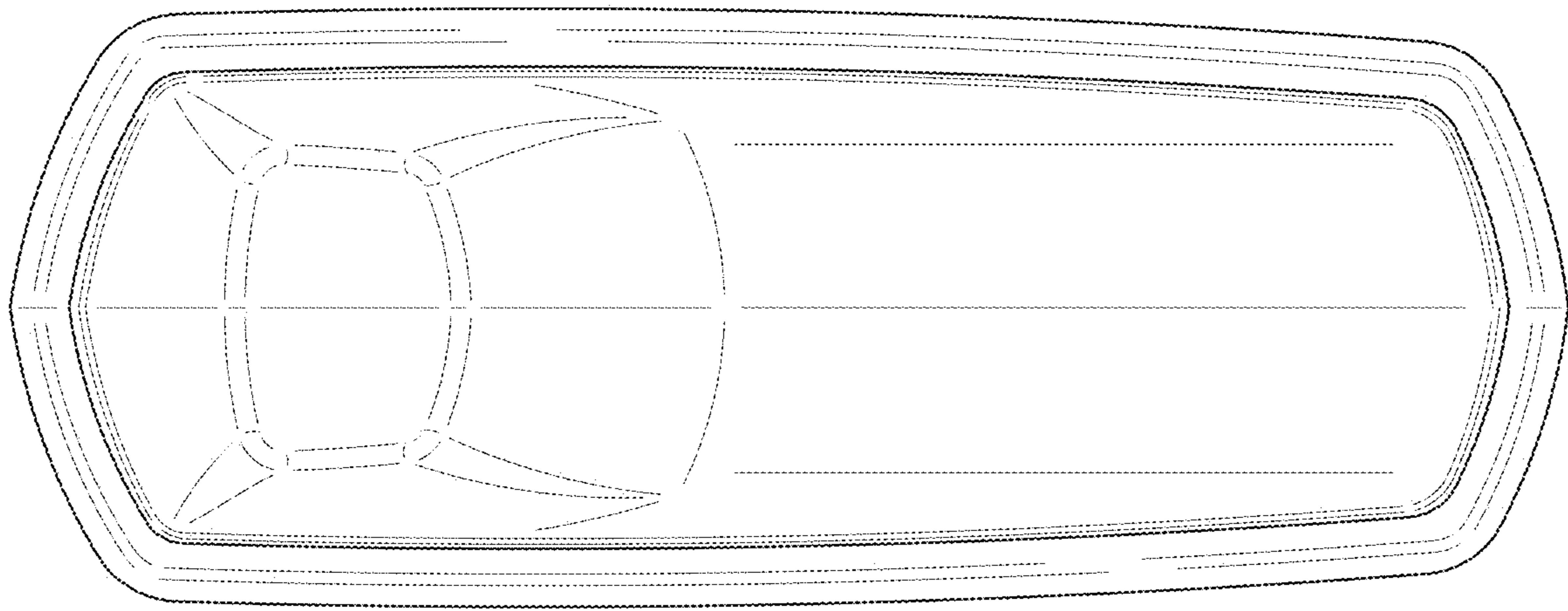


FIG. 8