

US00D962802S

(12) **United States Design Patent** (10) **Patent No.:** **US D962,802 S**
Herron et al. (45) **Date of Patent:** **** Sep. 6, 2022**

(54) **VEHICLE DIAGNOSTIC DEVICE**
(71) Applicant: **Opus IVS, Inc.**, Ann Arbor, MI (US)
(72) Inventors: **Brian J. Herron**, Dexter, MI (US);
Mark W. Wine, Ann Arbor, MI (US);
Richard J. Mold, Exeter (GB)
(73) Assignee: **Opus IVS, Inc.**, Ann Arbor, MI (US)
(**) Term: **15 Years**

D380,202 S * 6/1997 Matthes D14/346
D386,099 S * 11/1997 Billington D10/75
D404,376 S * 1/1999 Shane D14/341
D455,433 S * 4/2002 Alviar D14/341
D509,827 S * 9/2005 Johnson D14/374
D521,508 S * 5/2006 Ting D14/341
D537,441 S * 2/2007 Bruker D14/341
D582,917 S * 12/2008 Wada D14/371
D594,004 S * 6/2009 Takemasa D14/341
D595,286 S * 6/2009 Mitchell D14/248
D629,216 S * 12/2010 Stoddard D6/308
D638,012 S * 5/2011 Tian D14/341

(Continued)

(21) Appl. No.: **29/737,737**
(22) Filed: **Jun. 11, 2020**
(51) **LOC (13) Cl.** **10-04**
(52) **U.S. Cl.**
USPC **D10/78**
(58) **Field of Classification Search**
USPC D10/52, 15, 50, 60, 57, 75, 69, 56, 65,
D10/81, 78, 66; D14/307, 130, 218, 146,
D14/440, 250, 341, 138 G; D16/130;
D13/118, 110, 108; 307/11; D24/217,
D24/163
CPC ... G01C 1/00; G01C 1/14; G01C 1/06; G01C
3/08; G01C 15/008; G01S 7/4817; G01S
7/4808; G01S 17/08; G01S 17/42; H05K
5/00; H05K 5/02; H05K 5/0247; H05K
7/00; H05K 7/20; H05K 7/20136; H05K
7/20154; H05K 7/209; H02M 7/00;
H02M 7/003; H02M 2001/009; H02J
7/0042; Y10T 307/367
See application file for complete search history.

Primary Examiner — George D. Kirschbaum
Assistant Examiner — Antoinette Martine Suiter
(74) *Attorney, Agent, or Firm* — Gardner, Linn, Burkhardt
& Ondersma LLP

(57) **CLAIM**

The ornamental design for a vehicle diagnostic device, as shown and described.

DESCRIPTION

FIG. 1 is a front perspective view of the vehicle diagnostic device;
FIG. 2 is a front plan view of the vehicle diagnostic device of FIG. 1;
FIG. 3 is a front side edge elevation view of the vehicle diagnostic device of FIG. 1;
FIG. 4 is a right side edge elevation view of the vehicle diagnostic device of FIG. 1;
FIG. 5 is a rear side edge elevation view of the vehicle diagnostic device of FIG. 1;
FIG. 6 is a left side edge elevation view of the vehicle diagnostic device of FIG. 1; and,
FIG. 7 is a bottom plan view of the vehicle diagnostic device of FIG. 1.

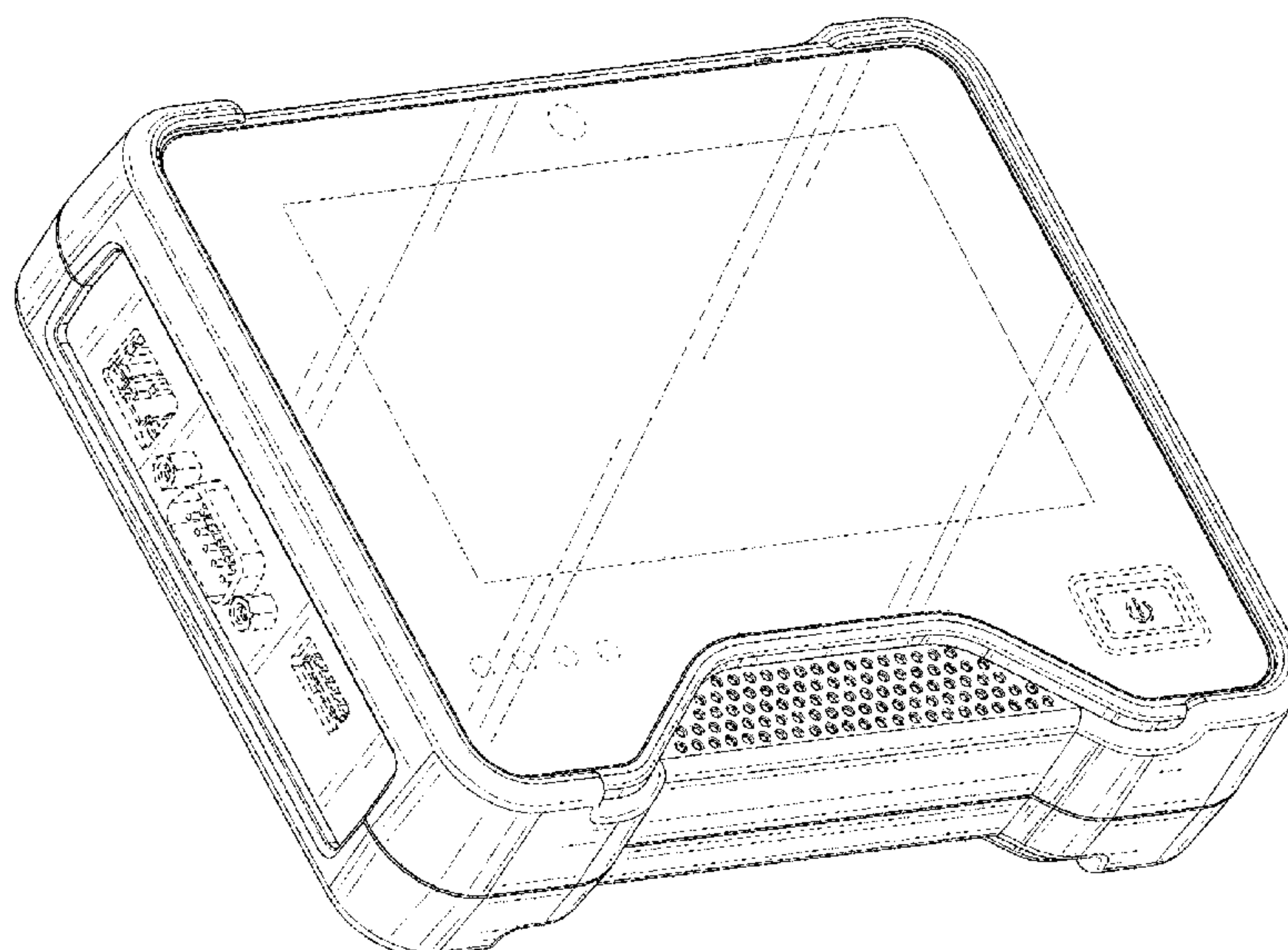
The broken lines in the drawings are for the purpose of illustrating portions of the vehicle diagnostic device that form no part of the claimed design.

1 Claim, 7 Drawing Sheets

(56) **References Cited**

U.S. PATENT DOCUMENTS

D325,939 S * 5/1992 Kroll D21/469
D356,547 S * 3/1995 Silva D14/341
D361,552 S * 8/1995 Iino D14/341
D363,511 S * 10/1995 Hui D14/341
D373,576 S * 9/1996 Liggett D14/341



(56)

References Cited

U.S. PATENT DOCUMENTS

D698,384 S *	1/2014	Cruz	D18/4.4
D710,350 S *	8/2014	Steiger	D14/341
D739,839 S *	9/2015	Lang	D14/126
D785,618 S *	5/2017	Schwibner	D14/341
D842,736 S *	3/2019	Laurino	D10/96
D882,679 S *	4/2020	Zheng	D18/4.4
D920,397 S *	5/2021	Okuma	D15/122
2010/0171202 A1 *	7/2010	Tian	G06F 21/87 257/679

* cited by examiner

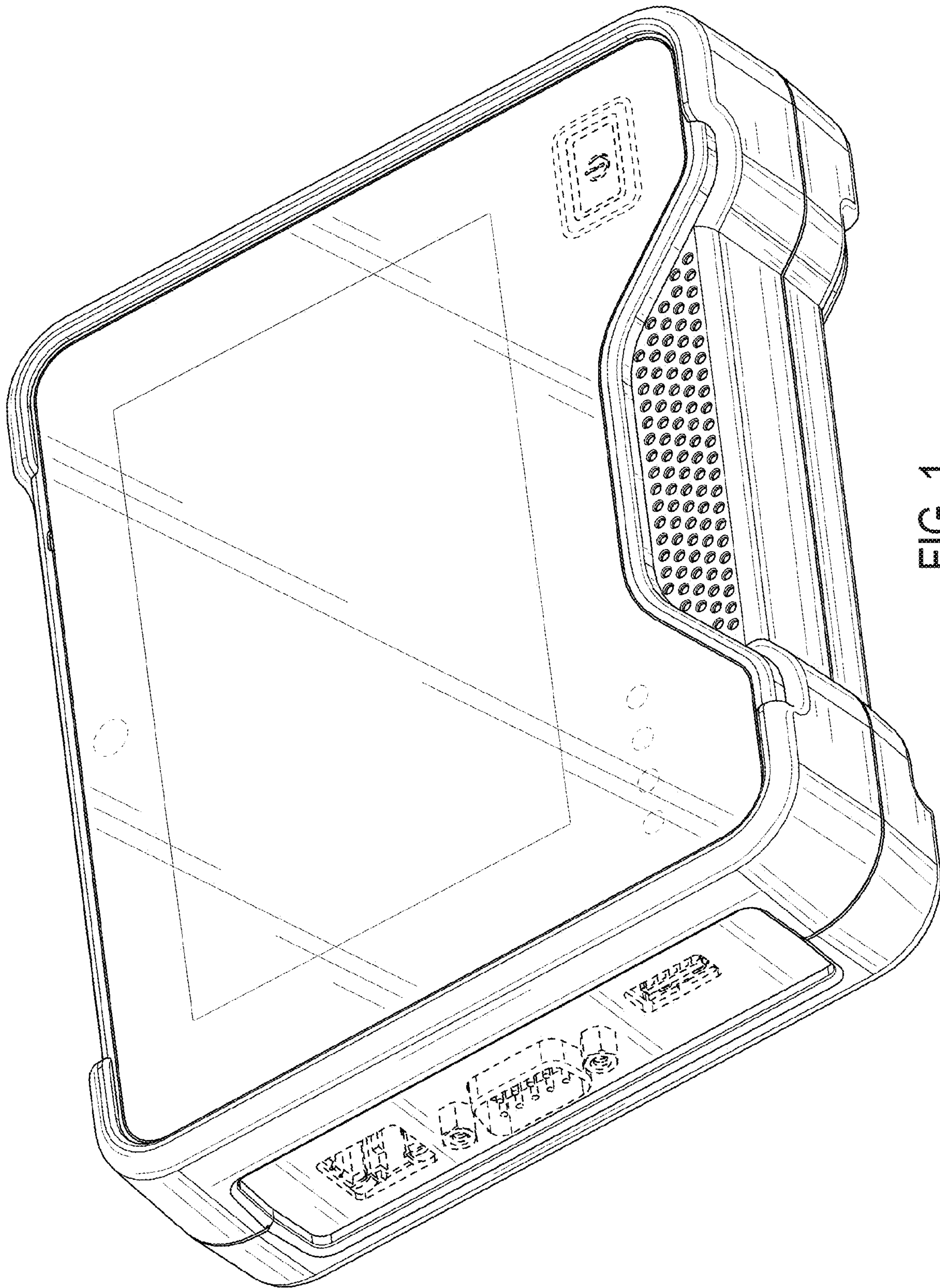


FIG. 1

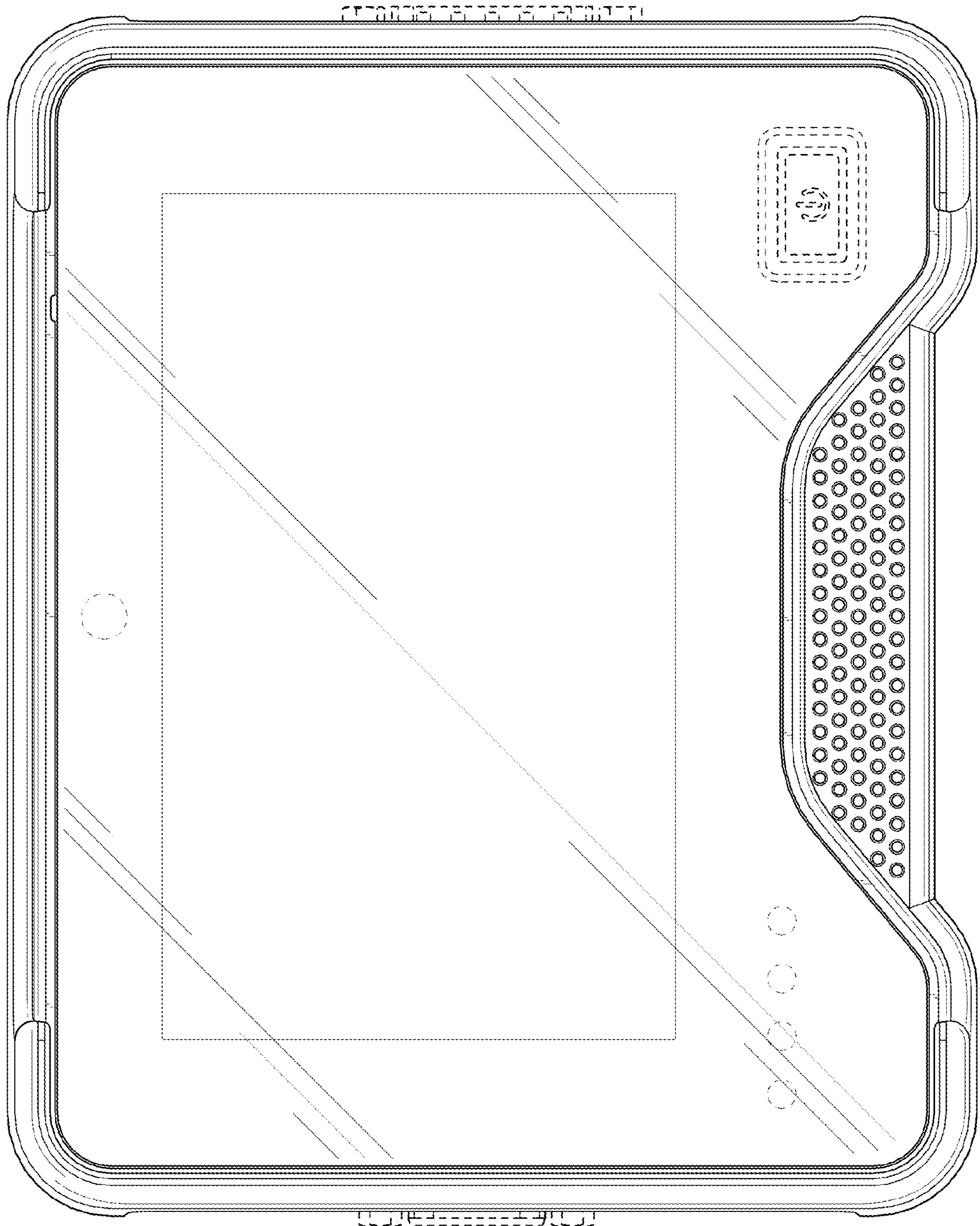


FIG. 2

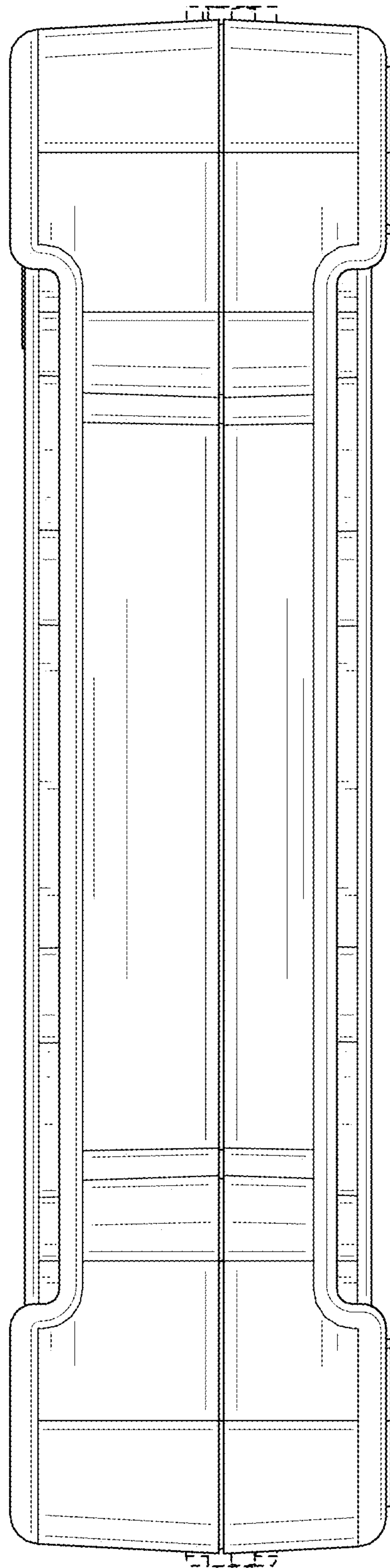


FIG. 3

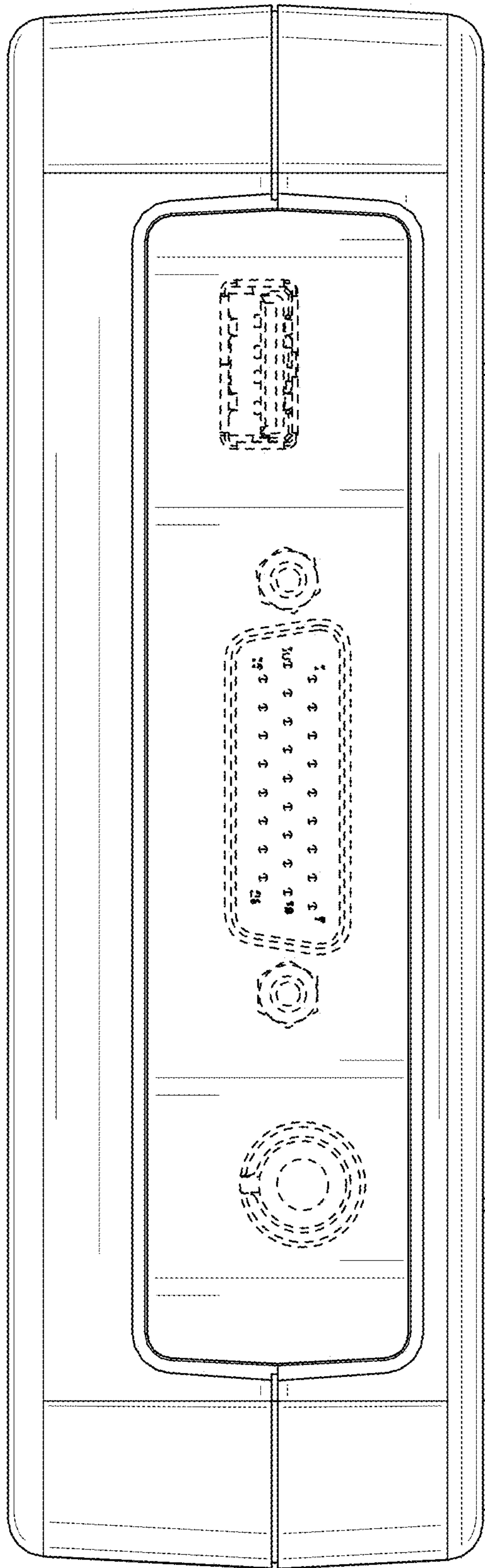


FIG. 4

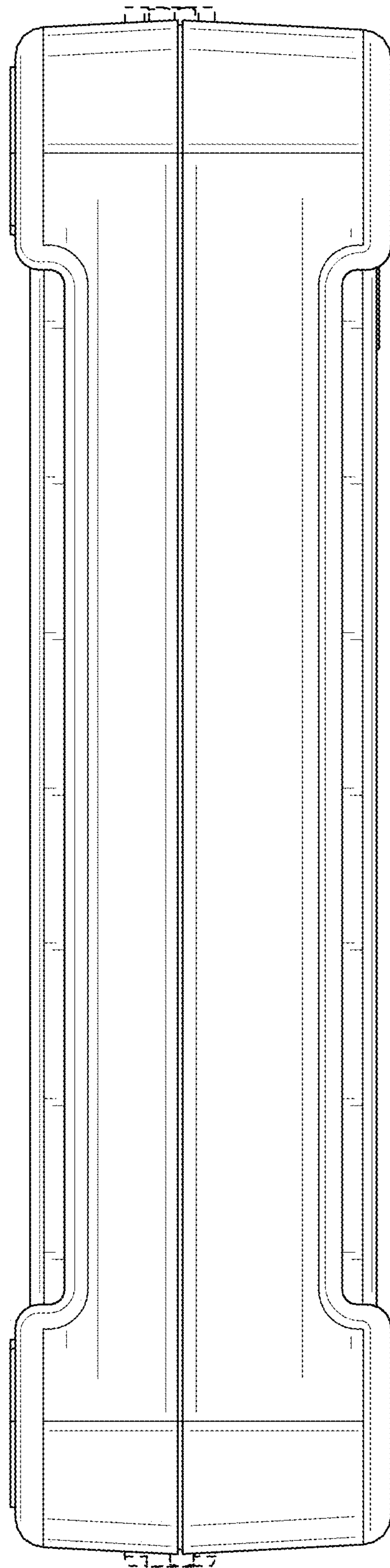


FIG. 5

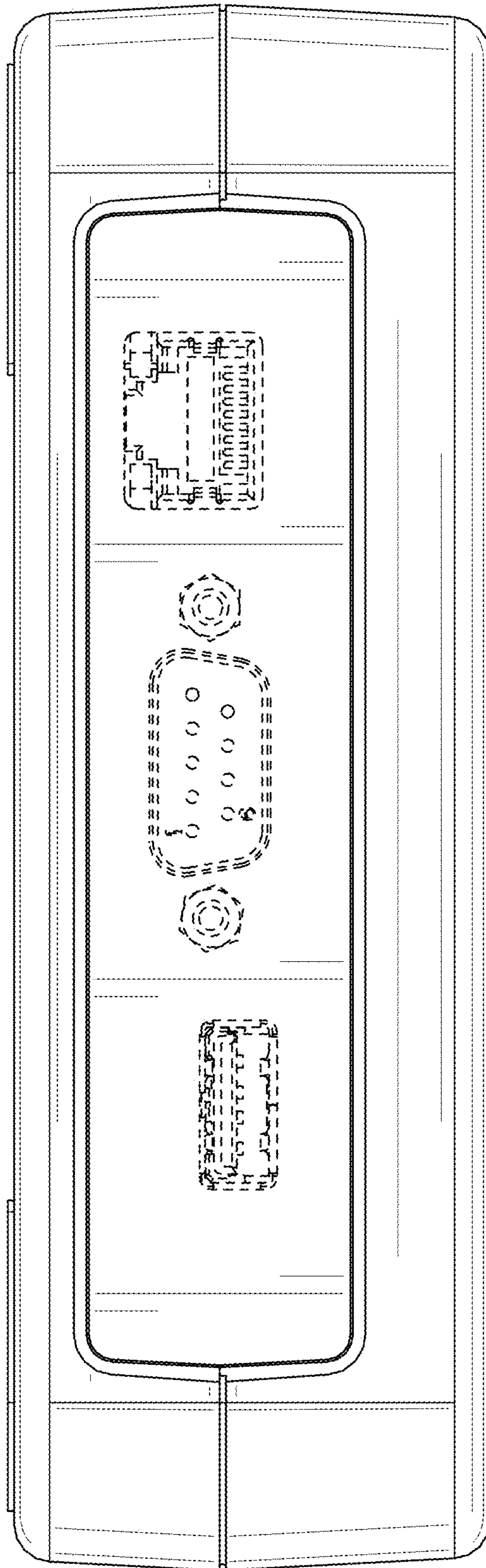


FIG. 6

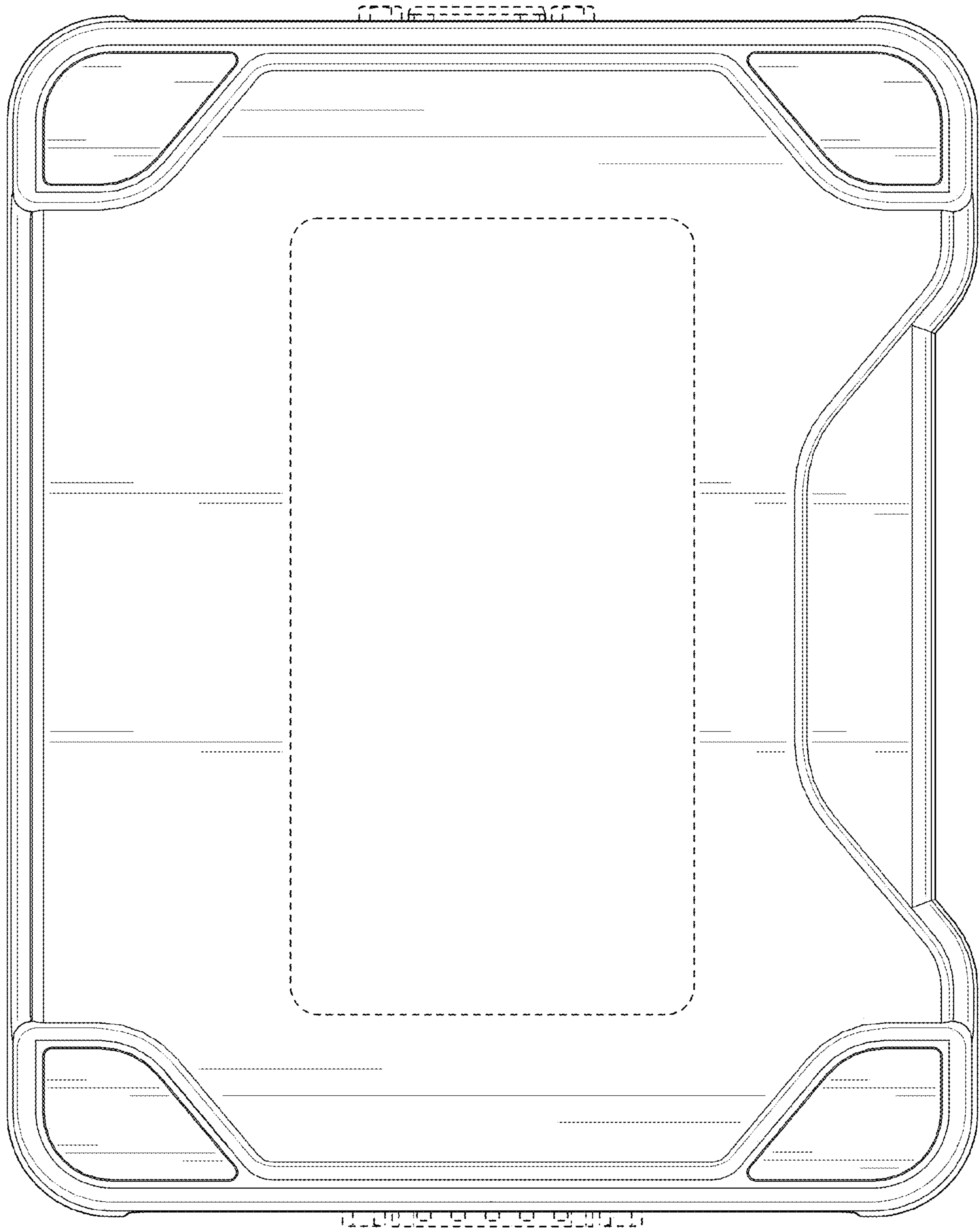


FIG. 7