

US00D962801S

(12) **United States Design Patent** (10) **Patent No.:** **US D962,801 S**
Liao (45) **Date of Patent:** **** Sep. 6, 2022**

(54) **RULER**

(71) Applicant: **Shenzhen Kaduo Industry Co., Ltd,**
Shenzhen (CN)

(72) Inventor: **Jiping Liao,** Hunan (CN)

(**) Term: **15 Years**

(21) Appl. No.: **29/772,434**

(22) Filed: **Mar. 2, 2021**

(51) **LOC (13) Cl.** **10-04**

(52) **U.S. Cl.**
USPC **D10/71; D10/64**

(58) **Field of Classification Search**
USPC D10/64, 71
CPC B26B 29/00; B26B 29/02; B26B 29/025;
B26B 29/04; B26B 29/06; B26B 29/063;
B26B 2029/066; Y10T 83/0348; Y10T
83/0341; Y10T 83/0333; Y10T 83/0356;
Y10T 83/0363; Y10T 83/037; Y10T
83/0378; Y10T 83/0385; Y10T 83/0393;
Y10T 83/849; Y10T 83/853; Y10T
83/856; Y10T 83/857; Y10T 83/858;
Y10T 83/863; B43L 7/027; B43L 7/10;
B43L 7/12; B43L 7/125; B43L 7/14;
G01B 3/14; G01B 2003/1087; G01B
2003/1089; G01B 2003/1092; G01B
2003/1094; G01B 2003/1097

See application file for complete search history.

(56) **References Cited**

U.S. PATENT DOCUMENTS

D674,294 S * 1/2013 Vaptzarof D10/38
D817,196 S * 5/2018 Haarburger D10/64

* cited by examiner

Primary Examiner — Antoine Duval Davis

(57) **CLAIM**

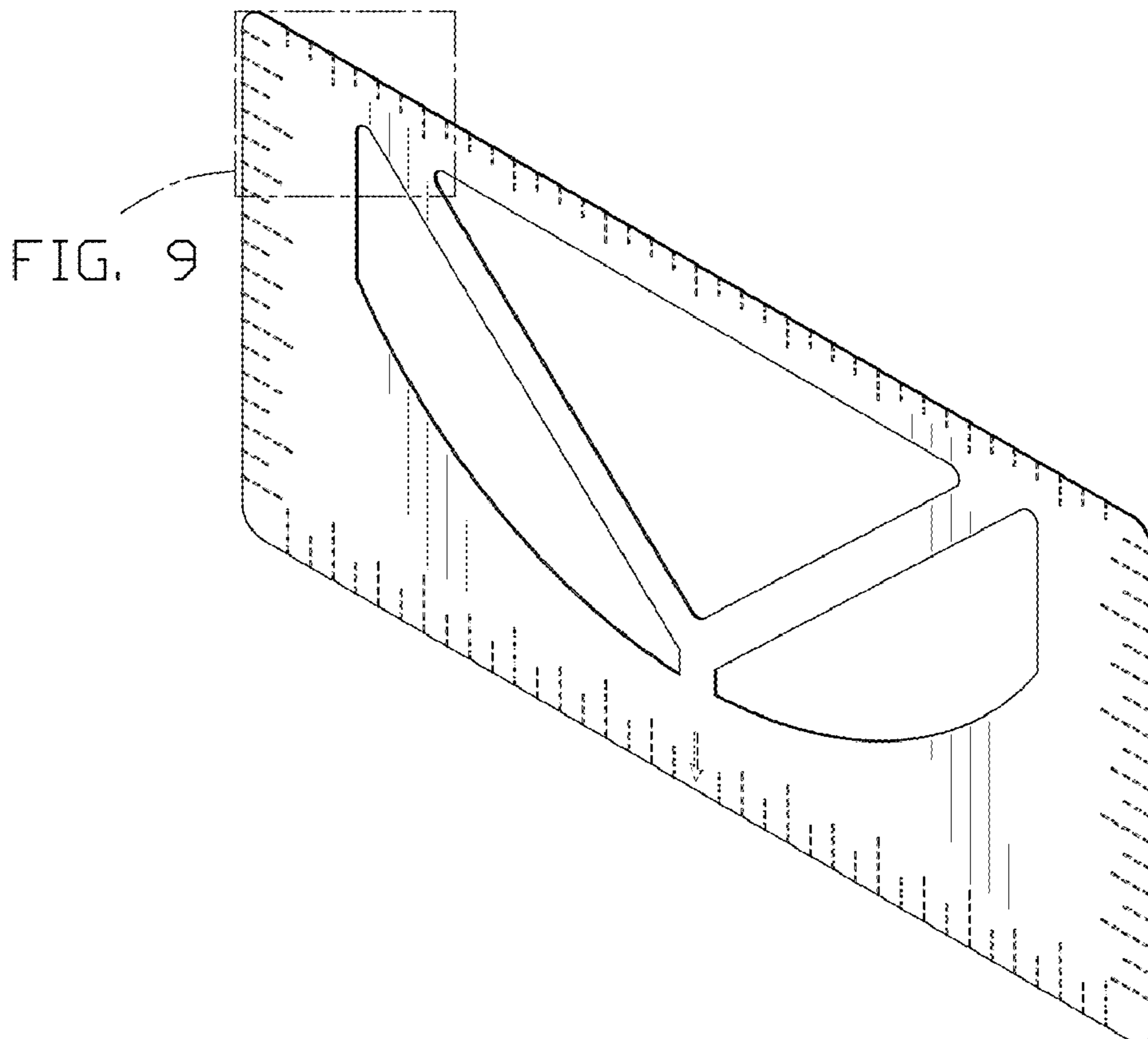
The ornamental design for a ruler, as shown and described.

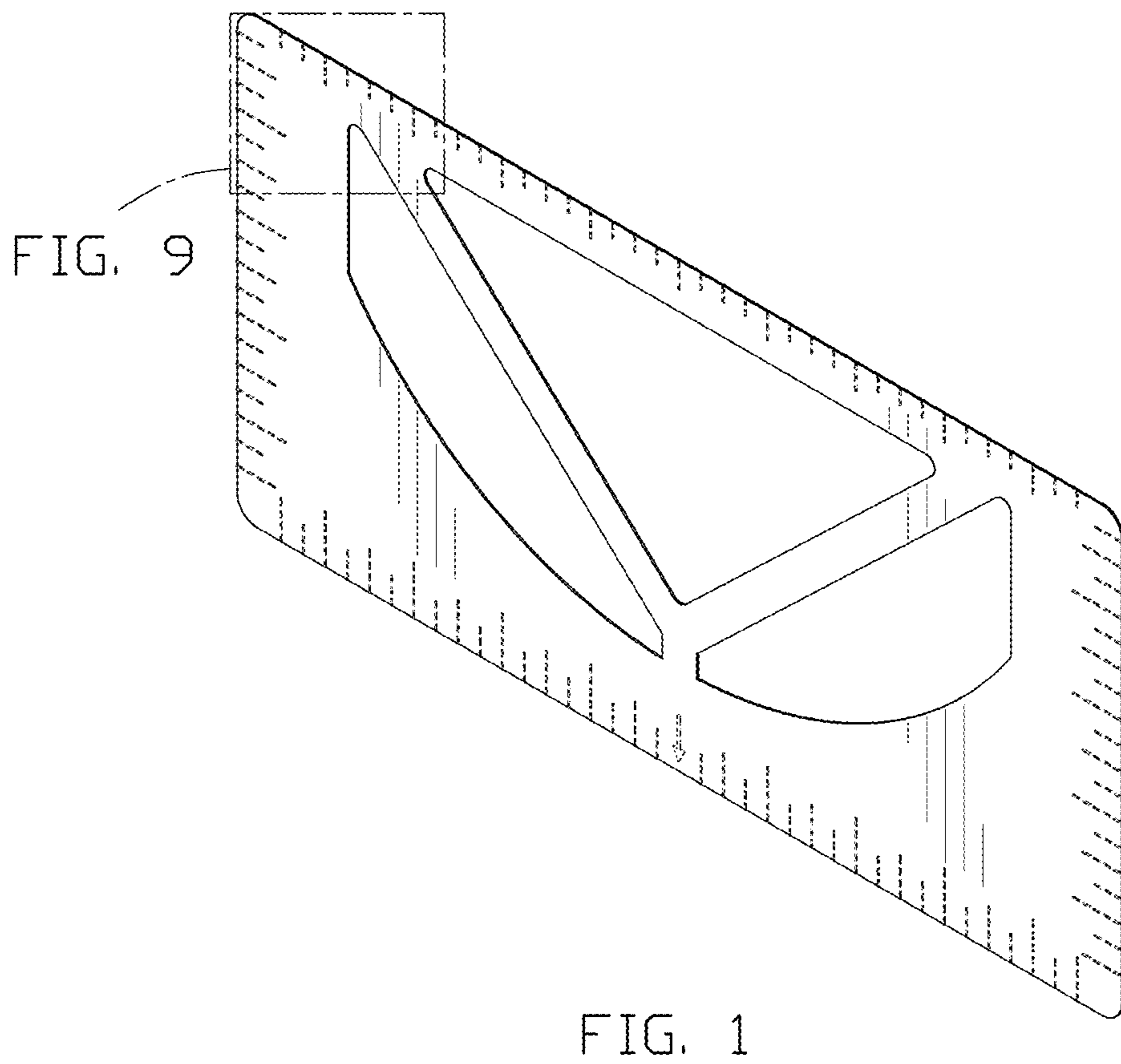
DESCRIPTION

FIG. 1 is a front and top perspective view of a ruler, showing my new design;
FIG. 2 is a rear and bottom perspective view thereof;
FIG. 3 is a front elevation view thereof;
FIG. 4 is a rear elevation view thereof;
FIG. 5 is a left side elevation view thereof;
FIG. 6 is a right side elevation view thereof;
FIG. 7 is a top plan view thereof;
FIG. 8 is a bottom plan view thereof; and,
FIG. 9 is an enlarged view of a portion labeled, 'FIG. 9' in FIG. 1.

The broken lines in the figures illustrate portions of the ruler that form no part of the claimed design. The dash dot dash lines in FIGS. 1 and 9 are for the purpose of depicting the cut line of the enlarged view and form no part of the claim.

1 Claim, 9 Drawing Sheets





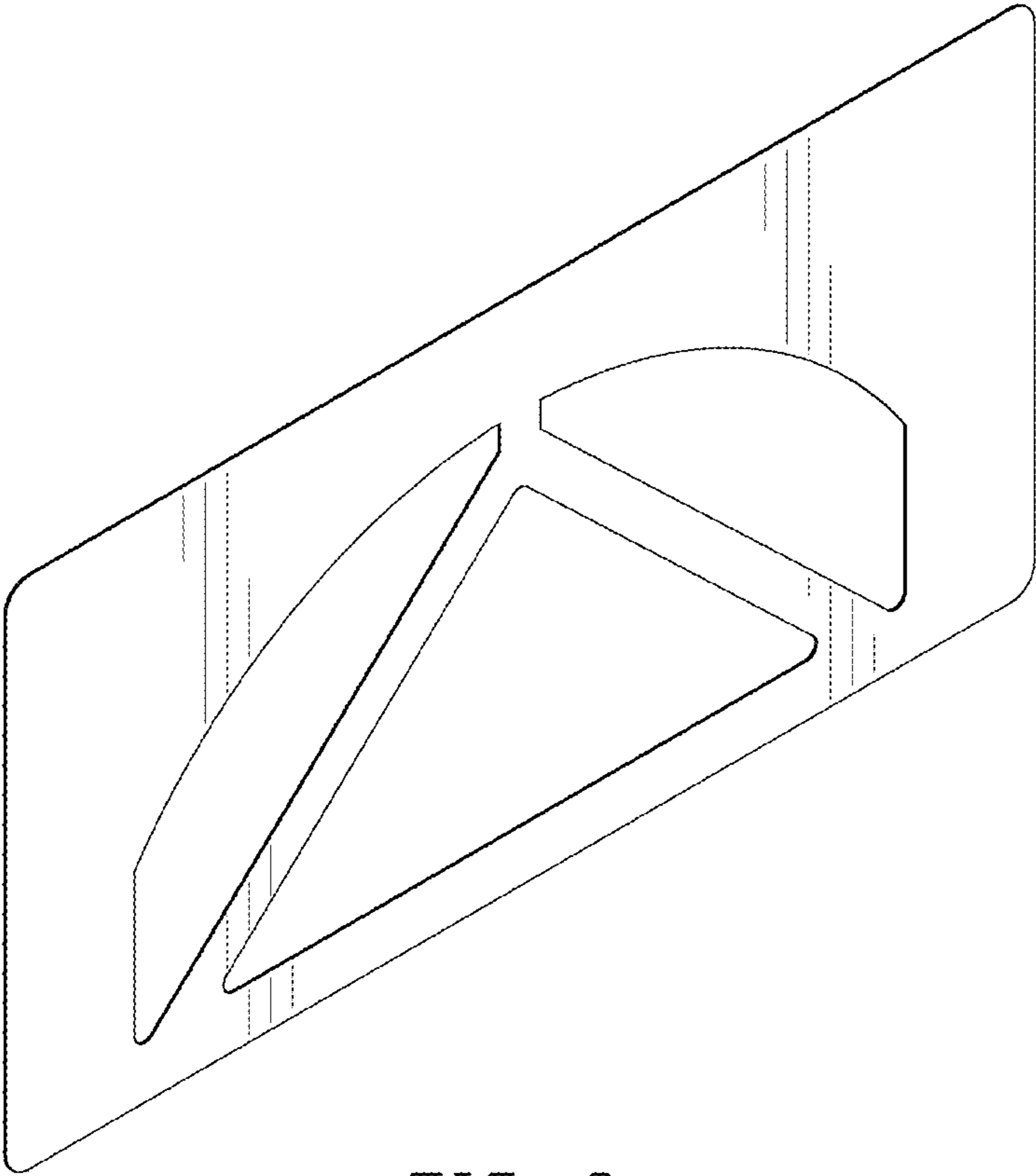


FIG. 2

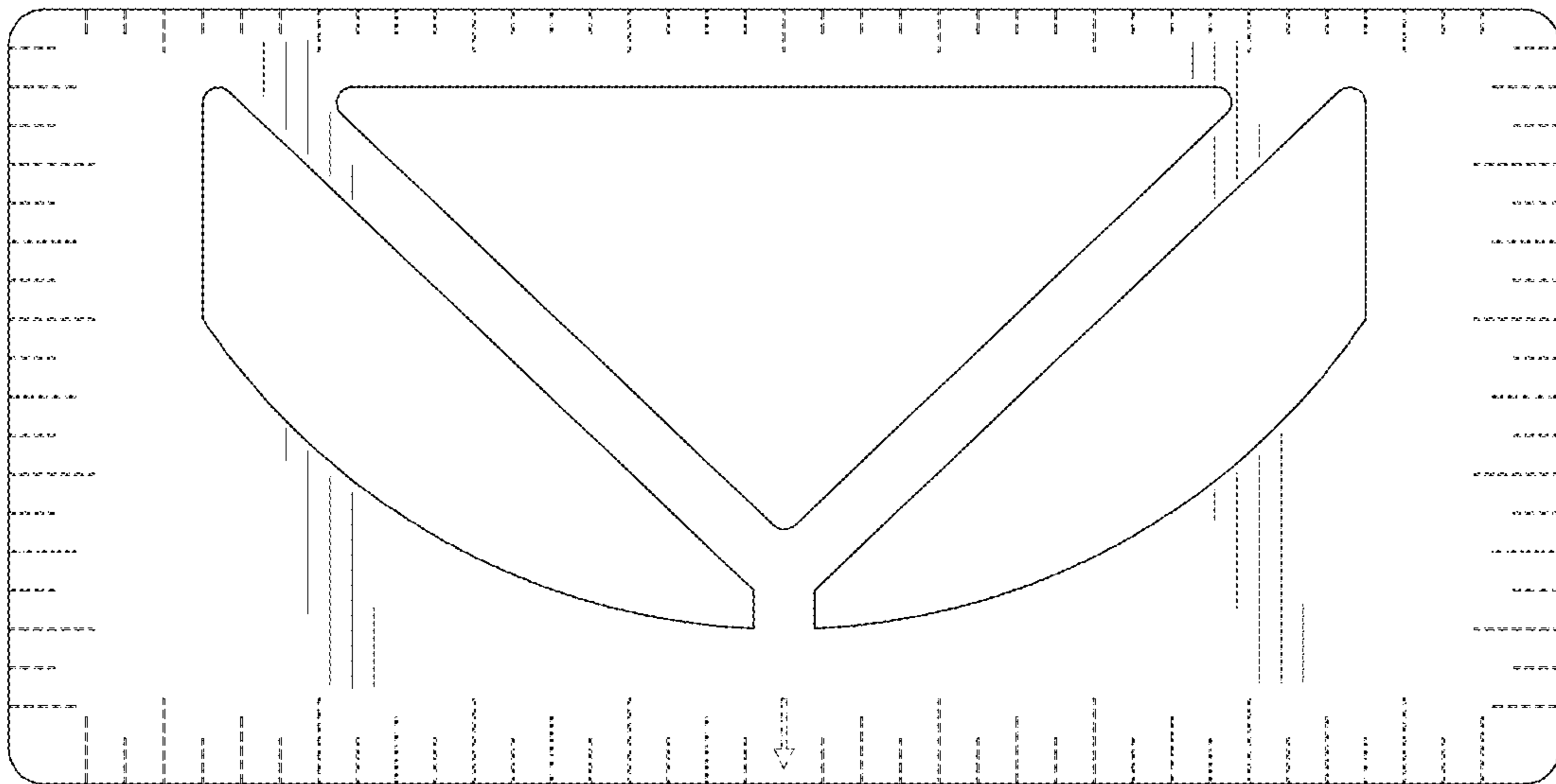


FIG. 3

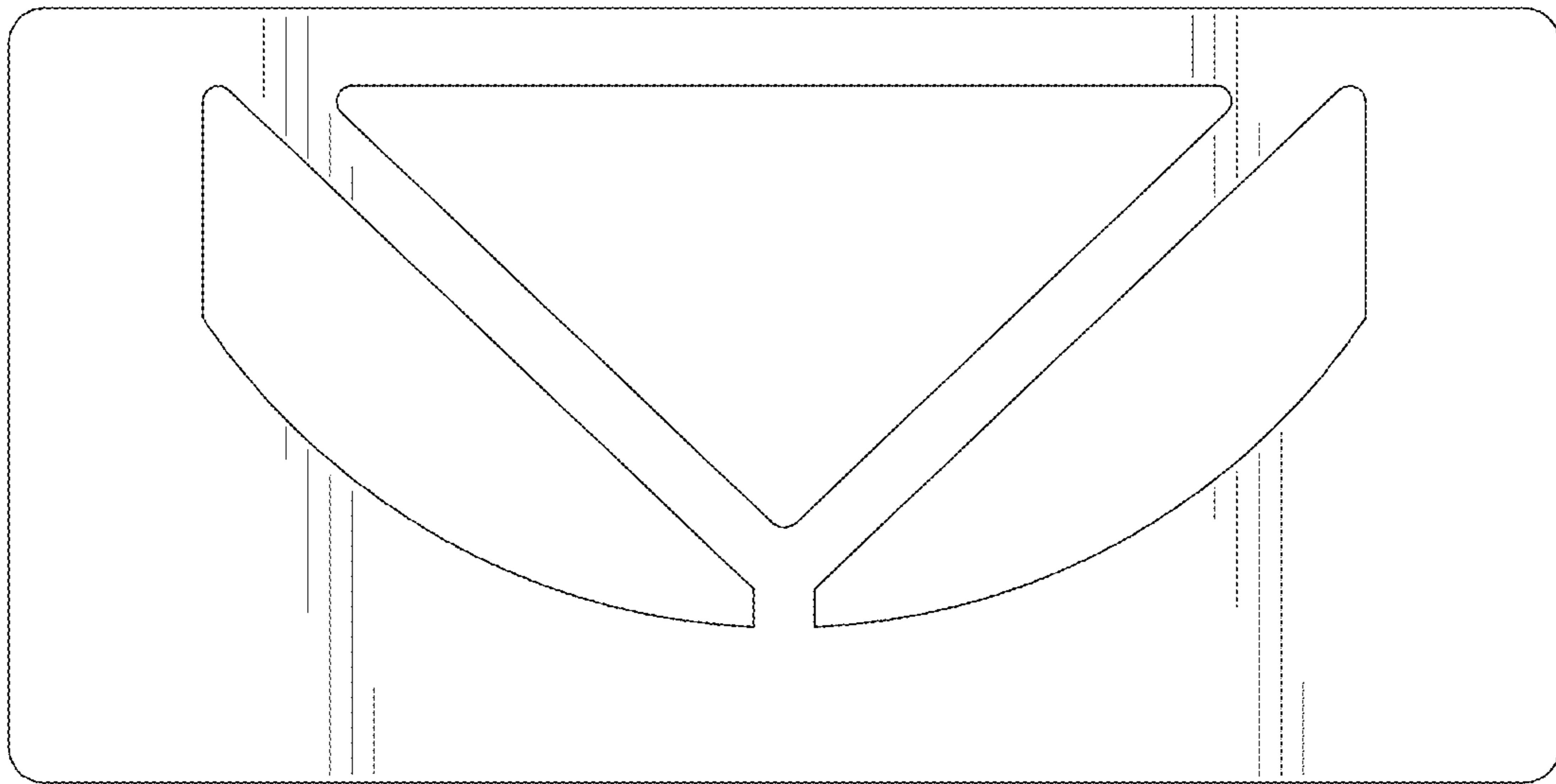


FIG. 4



FIG. 5



FIG. 6



FIG. 7

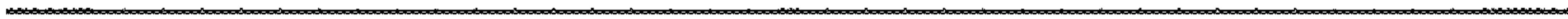


FIG. 8

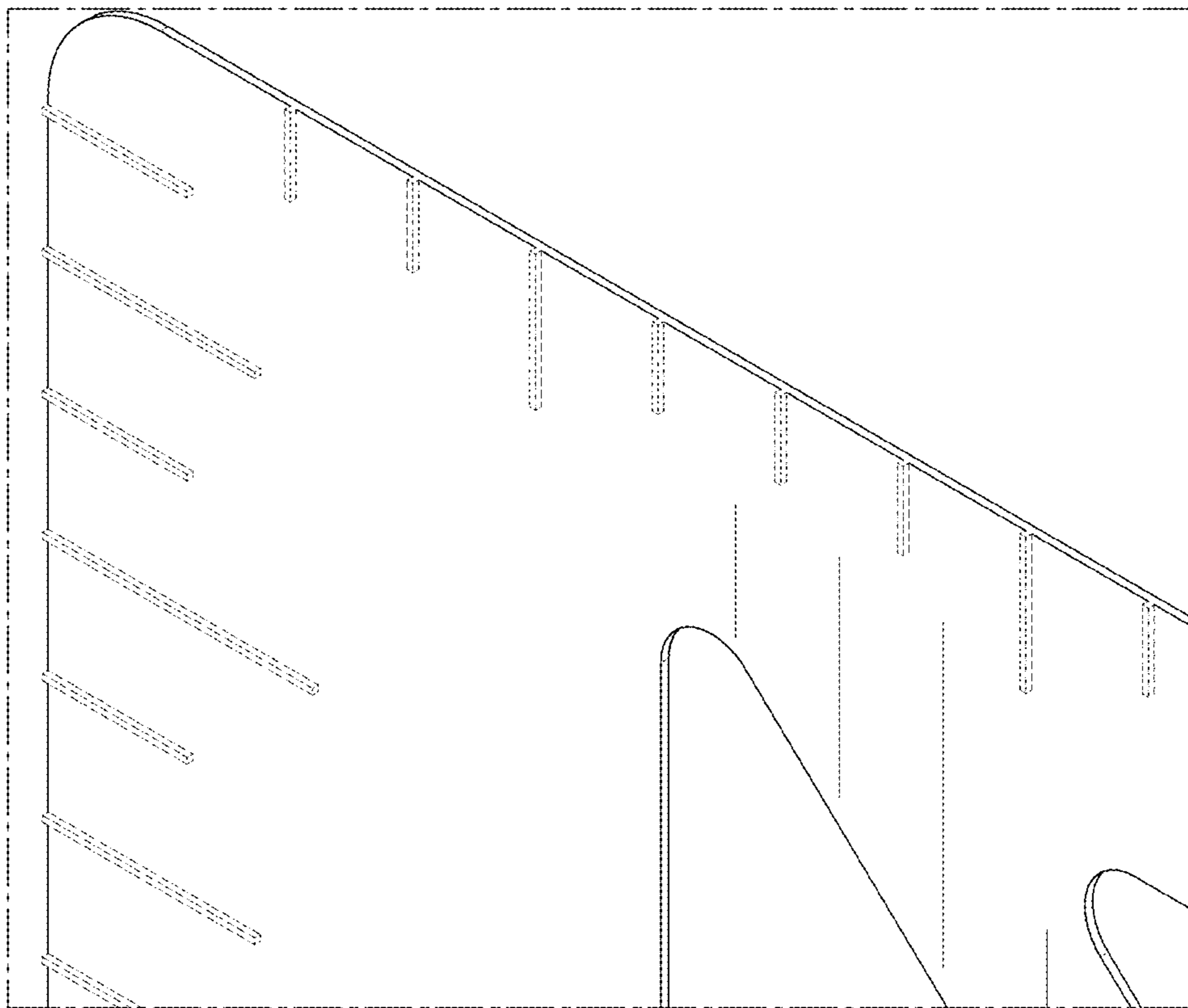


FIG. 9