



US00D962800S

(12) **United States Design Patent**
Xu et al.

(10) **Patent No.:** **US D962,800 S**
(45) **Date of Patent:** **** Sep. 6, 2022**

(54) **MOTION SENSOR**

(71) Applicant: **YoSmart, INC**, Irvine, CA (US)

(72) Inventors: **Manxiang Xu**, Irvine, CA (US);
Weilong Zuo, Shenzhen (CN)

(**) Term: **15 Years**

(21) Appl. No.: **29/761,808**

(22) Filed: **Dec. 11, 2020**

(51) **LOC (13) Cl.** **10-04**

(52) **U.S. Cl.**

USPC **D10/70; D10/106.6**

(58) **Field of Classification Search**

USPC D10/70, 106.6

CPC . G01J 5/0022; G01J 5/10; G01P 13/00; G01P

13/0006; G01P 13/0013; G01P 13/002;

G01P 13/0026; G01P 13/0033; G01P

13/004; G01P 13/0046; G01P 13/0053;

G01P 13/006; G01P 13/0066; G01P

13/0073; G01P 13/008; G01P 13/0086;

G01P 13/0093; G08B 29/183; G08B

21/00; G08B 21/02; G08B 21/0202;

G08B 21/0205; G08B 21/0208; G08B

21/0211; G08B 21/0213; G08B 21/0216;

G08B 21/0219; G08B 21/0222; G08B

21/0225; G08B 21/0227; G08B 21/023;

G08B 21/0233; G08B 21/0236; G08B

21/0238; G08B 21/0241; G08B 21/0244;

G08B 21/0247; G08B 21/025; G08B

21/0252; G08B 21/0258; G08B 21/0261;

G08B 21/0263; G08B 21/0266; G08B

21/0269; G08B 21/0272; G08B 21/0275;

G08B 21/0277; G08B 21/028; G08B

21/0283; G08B 21/0286; G08B 21/0288;

G08B 21/0291; G08B 21/0194; G08B

21/0297; G08B 21/04; G08B 21/0407;

G08B 21/0415; G08B 21/0423; G08B

21/043; G08B 21/0438; G08B 21/0446;

G08B 21/0453; G08B 21/0461; G08B

21/0469; G08B 21/0476; G08B 21/0484;

G08B 21/0492; G08B 21/06; G08B

21/08; G08B 21/082; G08B 21/084;
G08B 21/086; G08B 21/088; G08B
21/10; G08B 21/12; G08B 21/14; G08B
21/16; G08B 21/18; G08B 21/182; G08B
21/185; G08B 21/187; G08B 21/20;
G08B 21/22; G08B 21/24; G08B 21/245;
G08B 23/00; G08B 13/00; G08B 13/02;
G08B 13/04; G08B 13/06; G08B 13/08;
G08B 13/10; G08B 13/12; G08B 13/122;
G08B 13/124; G08B 13/126; G08B
13/028; G08B 13/14; G08B 13/1409;
G08B 13/1418; G08B 13/1427; G08B
13/1436; G08B 13/1445; G08B 13/1454;
G08B 13/1463; G08B 13/1472;

(Continued)

(56) **References Cited**

U.S. PATENT DOCUMENTS

D249,778 S * 10/1978 Kobayakawa D10/106.6

D485,773 S * 1/2004 Chen D10/106.6

D930,488 S * 9/2021 Tong D10/70

* cited by examiner

Primary Examiner — Antoine Duval Davis

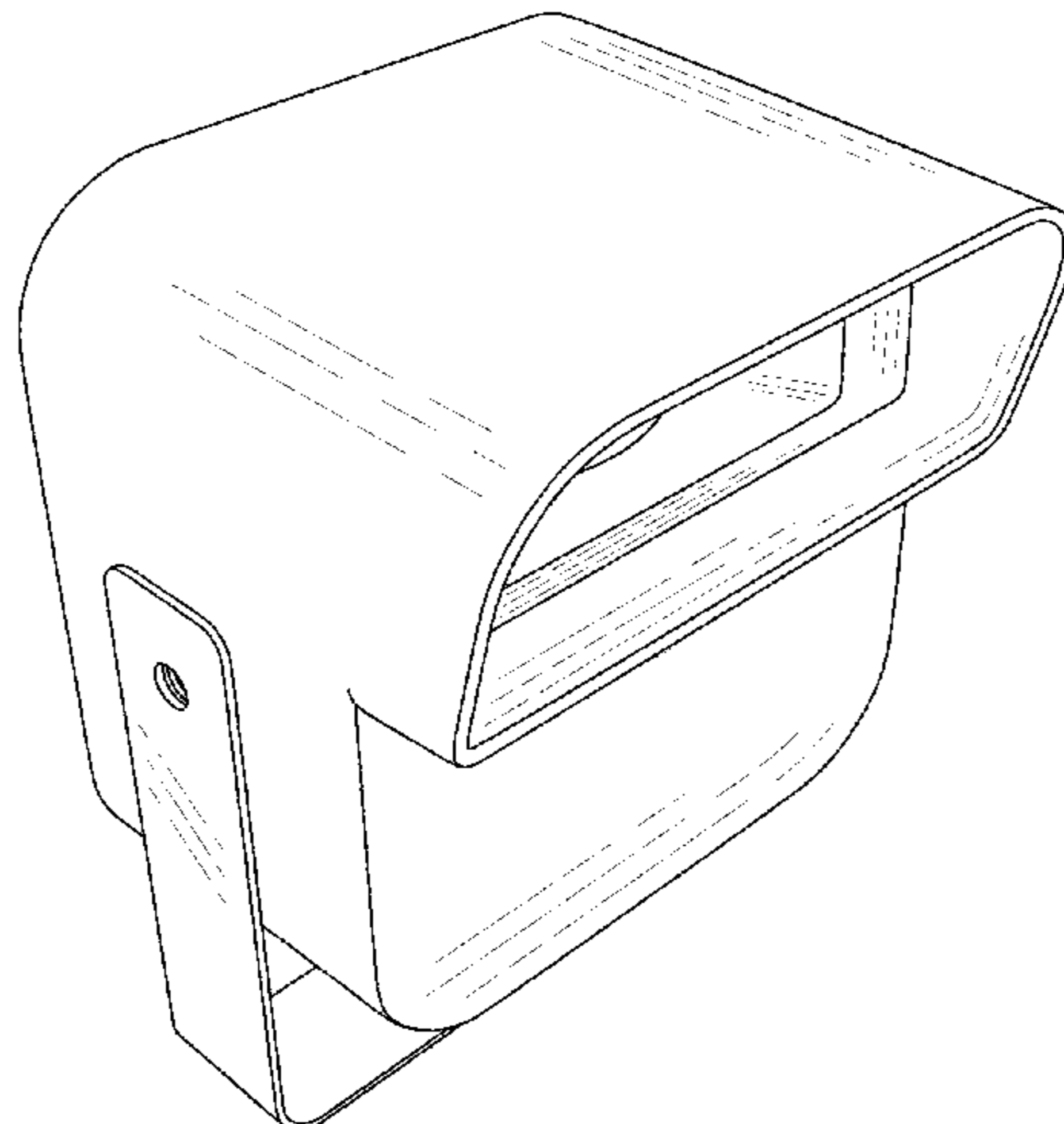
(57) **CLAIM**

The ornamental design for a motion sensor, as shown and described.

DESCRIPTION

FIG. 1 is a front perspective view of a motion sensor showing our new design;
FIG. 2 is a front elevation view thereof;
FIG. 3 is a rear elevation view thereof;
FIG. 4 is a left-side elevation view thereof;
FIG. 5 is a right-side elevation view thereof;
FIG. 6 is a top plan view thereof; and,
FIG. 7 is a bottom plan view thereof.

(Continued)



The broken lines shown in the drawings are for the purpose of illustrating portions of the article, and form no part of the claimed design.

1 Claim, 7 Drawing Sheets

(58) Field of Classification Search

CPC .. G08B 13/1481; G08B 13/149; G08B 13/16;
G08B 13/1609; G08B 13/1627; G08B
13/1636; G08B 13/1645; G08B 13/1654;
G08B 13/1663; G08B 13/1672; G08B
13/1681; G08B 13/169; G08B 13/18;
G08B 13/181; G08B 13/183; G08B
13/184; G08B 13/186; G08B 13/187;
G08B 13/189; G08B 13/1895; G08B
13/19; G08B 13/191; G08B 13/193;
G08B 13/194; G08B 13/196; G08B
13/19602; G08B 13/19604; G08B
13/19606; G08B 13/19608; G08B
13/1961; G08B 13/19613; G08B
13/19615; G08B 13/19617; G08B
13/19619; G08B 13/19621; G08B
13/19623; G08B 13/19626; G08B
13/19628; G08B 13/1963; G08B
13/19632; G08B 13/19634; G08B
13/19636; G08B 13/19639; G08B
13/19641; G08B 13/19643; G08B
13/19645; G08B 13/19647; G08B
13/1965; G08B 13/19652; G08B
13/19654; G08B 13/19656; G08B

13/19658; G08B 13/1966; G08B
13/19663; G08B 13/19665; G08B
13/19667; G08B 13/19669; G08B
13/19671; G08B 13/19673; G08B
13/19676; G08B 13/19678; G08B
13/1968; G08B 13/19682; G08B
13/19684; G08B 13/19686; G08B
13/19689; G08B 13/19691; G08B
13/19693; G08B 13/19695; G08B
13/19697; G08B 13/20; G08B 13/22;
G08B 13/24; G08B 13/2402; G08B
13/2405; G08B 13/2408; G08B 13/2411;
G08B 13/2414; G08B 13/2417; G08B
13/242; G08B 13/2422; G08B 13/2425;
G08B 13/2428; G08B 13/2431; G08B
13/2434; G08B 13/2437; G08B 13/244;
G08B 13/2442; G08B 13/2445; G08B
13/2448; G08B 13/2451; G08B 13/2454;
G08B 13/2457; G08B 13/246; G08B
13/2462; G08B 13/2465; G08B 13/2468;
G08B 13/2471; G08B 13/2474; G08B
13/2477; G08B 13/248; G08B 13/2482;
G08B 13/2485; G08B 13/2488; G08B
13/2491; G08B 13/2492; G08B 13/2494;
G08B 13/2497; G08B 13/26; G08B
13/16169; G08B 13/1618; G08B 17/12;
G01V 8/20; H03K 17/941; H03K
2017/9455; H03K 17/9505; H03K
17/9622; H03K 17/9627; H05B 37/0227

See application file for complete search history.

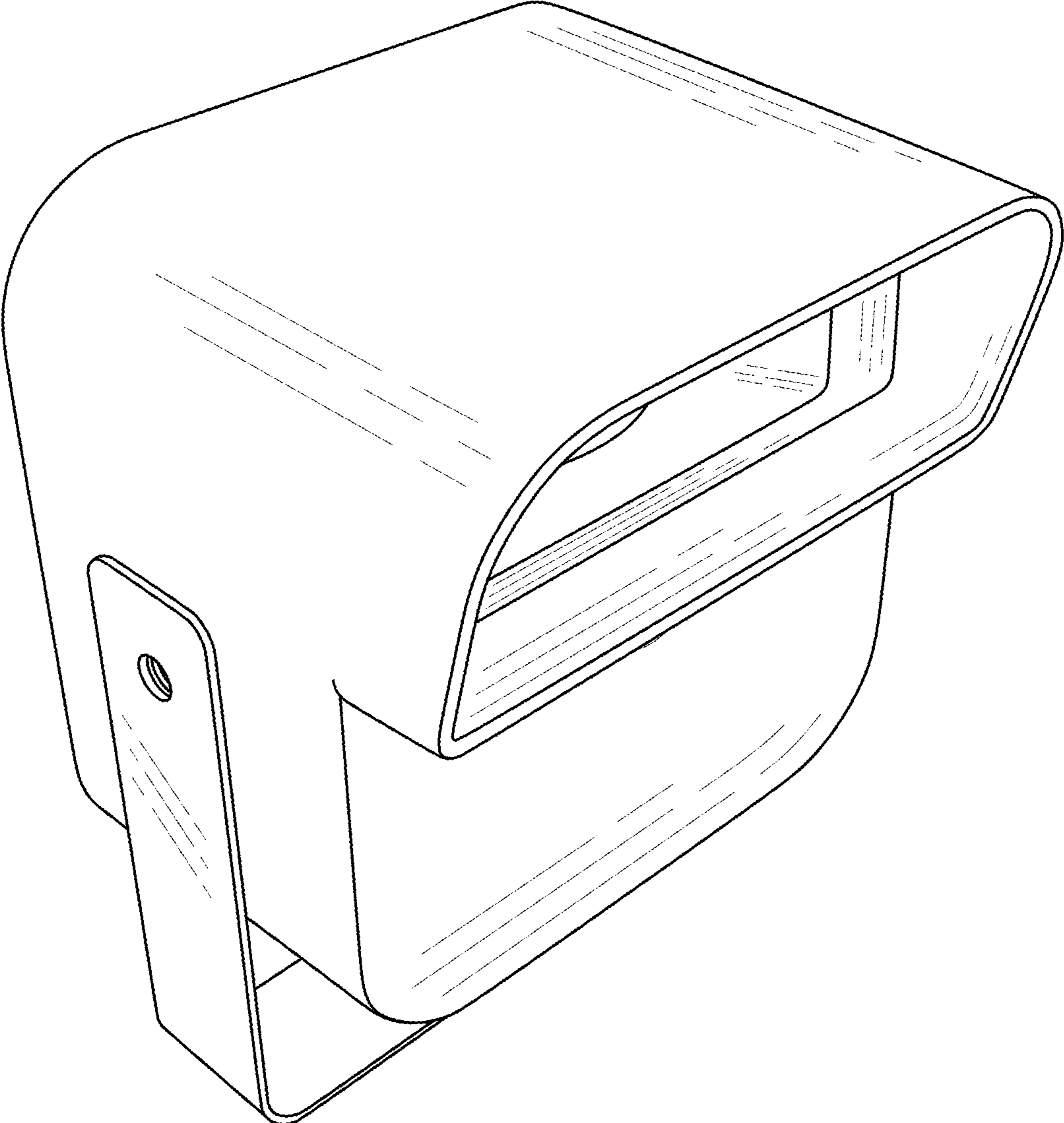


Fig.1

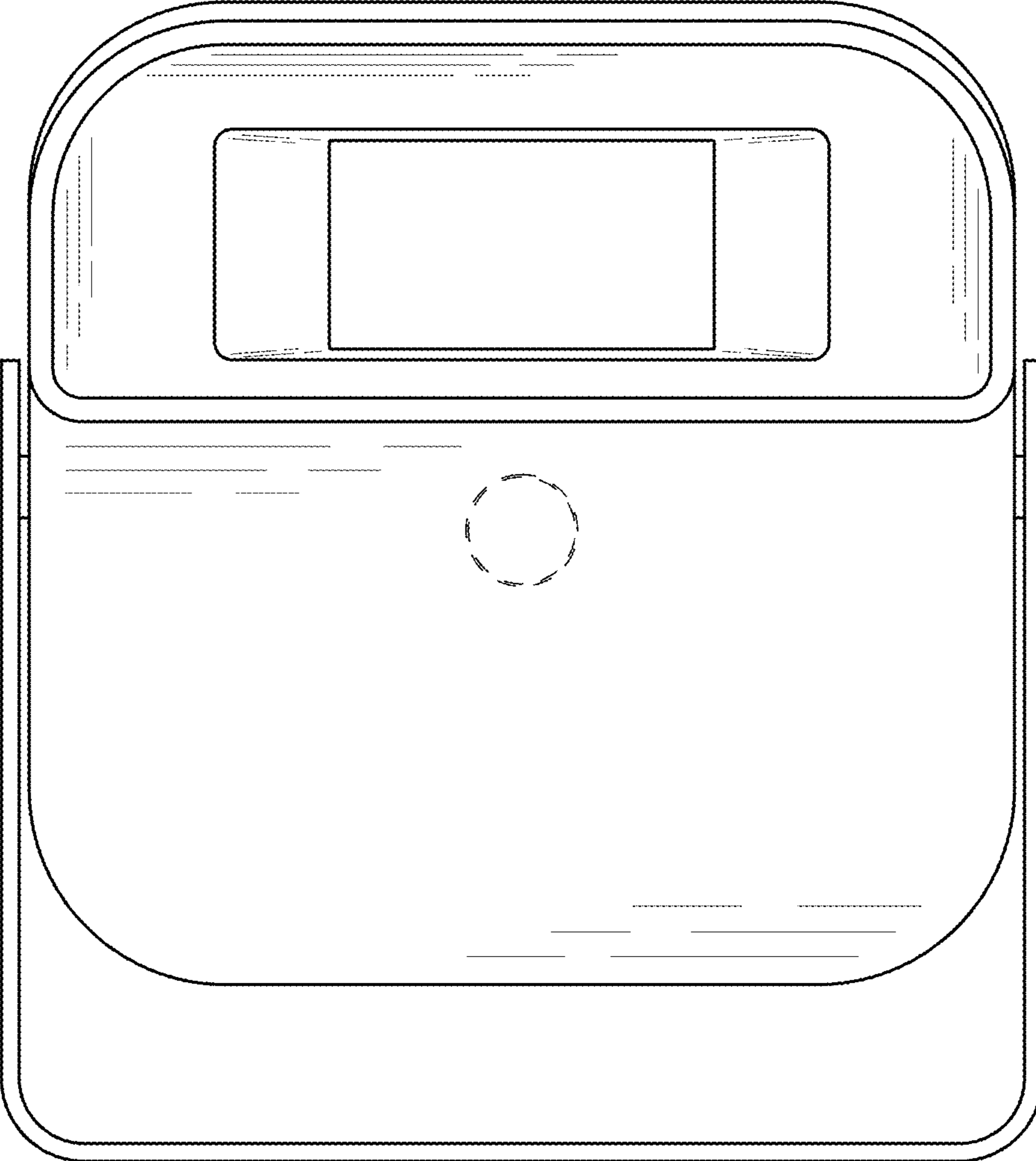


Fig.2

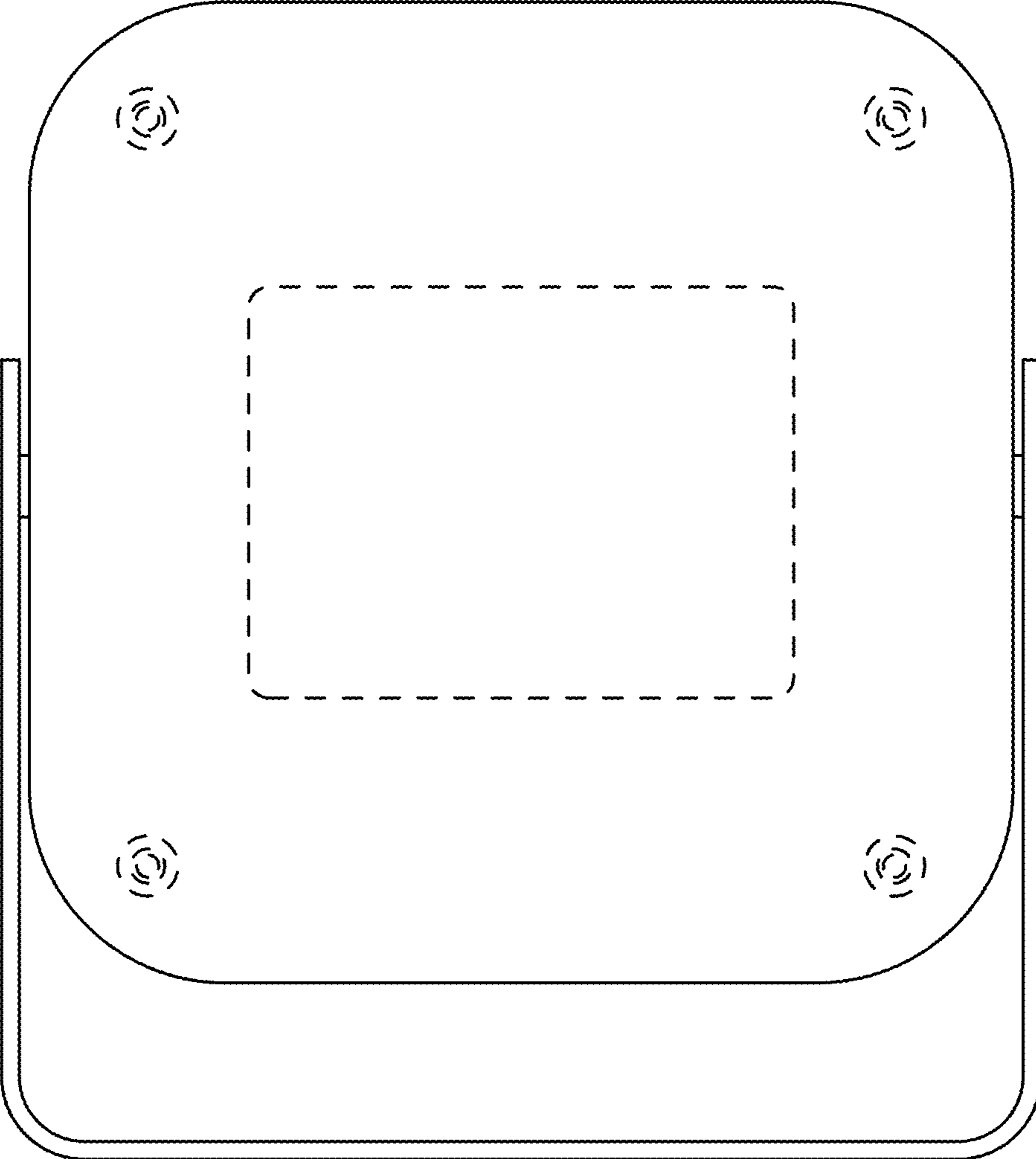


Fig.3

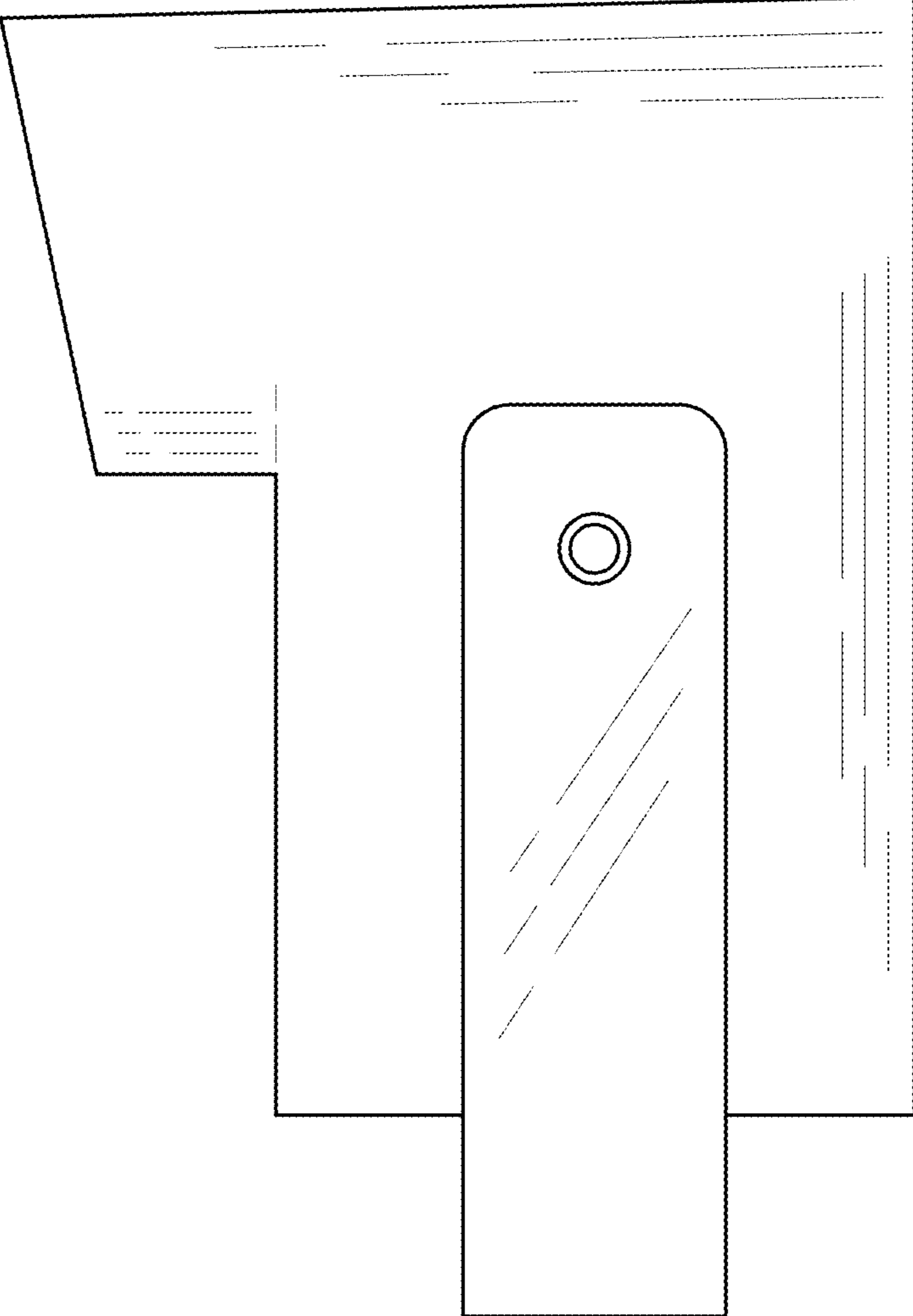


Fig.4

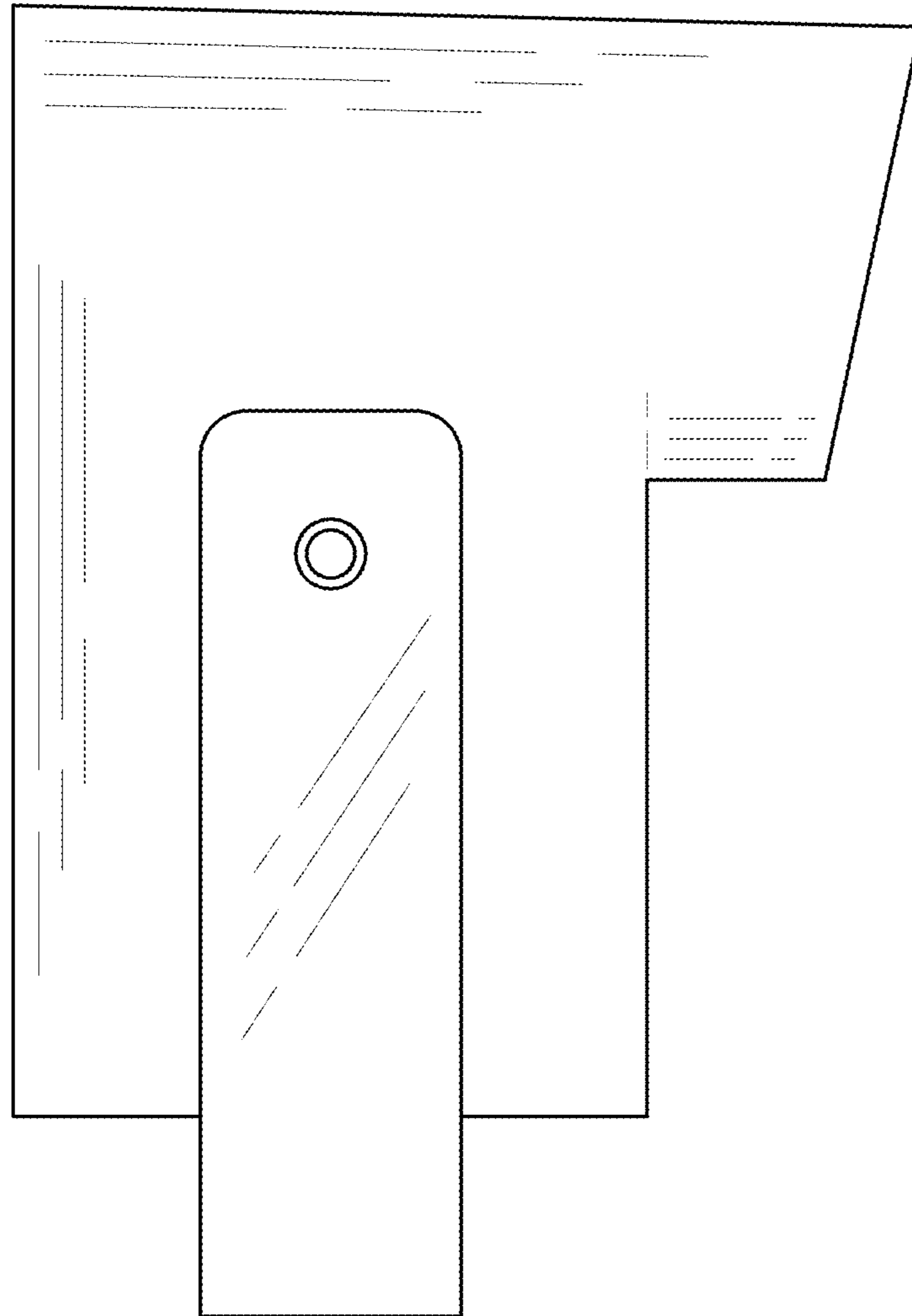


Fig.5



Fig.6

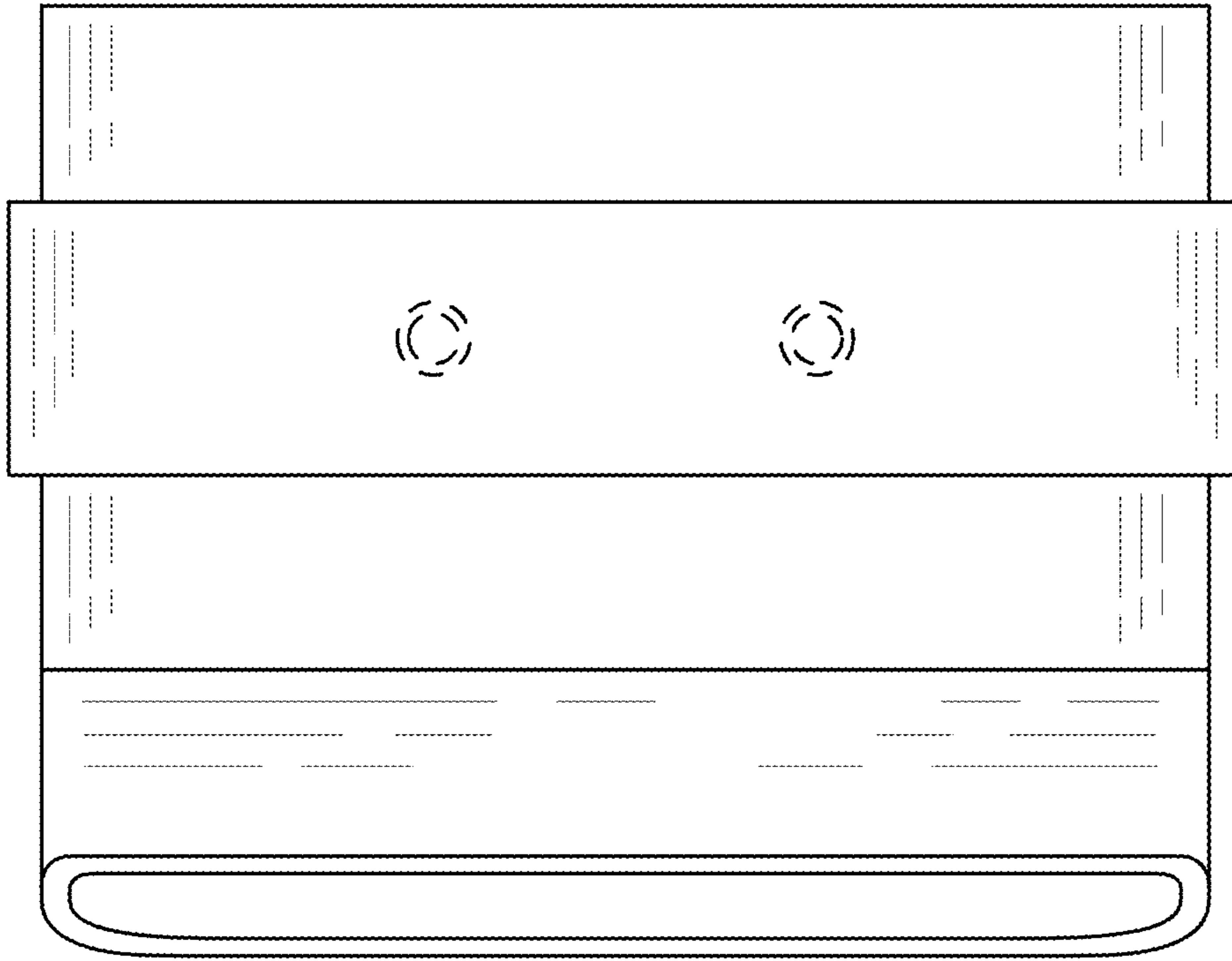


Fig.7