



US00D962796S

(12) **United States Design Patent**
Wang

(10) **Patent No.:** **US D962,796 S**

(45) **Date of Patent:** **** Sep. 6, 2022**

(54) **WIRELESS THERMOMETER PROBE**

(71) Applicant: **Nan Wang**, Beijing (CN)

(72) Inventor: **Nan Wang**, Beijing (CN)

(**) Term: **15 Years**

(21) Appl. No.: **29/835,029**

(22) Filed: **Apr. 15, 2022**

(51) **LOC (13) Cl.** **10-04**

(52) **U.S. Cl.**
USPC **D10/57**

(58) **Field of Classification Search**
USPC D10/52, 56, 57, 60; D24/186
CPC G01K 1/08; G01K 1/14; G01K 13/20;
G01K 2207/02; G01W 1/02
See application file for complete search history.

(56) **References Cited**

U.S. PATENT DOCUMENTS

- 2,276,178 A * 3/1942 Ford G01K 13/00
374/207
- D200,596 S * 3/1965 Plavcan D10/57
- D217,500 S * 5/1970 O'Connell D10/57
- D247,099 S * 1/1978 Schwartz D10/56
- D247,702 S * 4/1978 Schwartz D10/56
- D258,871 S * 4/1981 Rajotte, Jr. D10/57
- D297,819 S * 9/1988 Cacciatore D10/60
- D312,216 S * 11/1990 Nadzak D10/57
- D506,688 S * 6/2005 Rund D10/60
- D554,007 S * 10/2007 Thompson D10/57
- D557,622 S * 12/2007 Thompson D10/57
- D571,231 S * 6/2008 Claypool D10/57
- D571,232 S * 6/2008 Lawler D10/57
- D584,970 S * 1/2009 Eide D10/57
- D586,671 S * 2/2009 Eide D10/57
- D586,672 S * 2/2009 Sholley D10/57
- D597,423 S * 8/2009 Park D10/52

- D632,597 S * 2/2011 Marsden D10/56
- D688,573 S * 8/2013 Behrmann D10/56
- D699,599 S * 2/2014 Sonnendorfer D10/57
- D724,450 S 3/2015 Singh
- D756,249 S * 5/2016 Xiao D10/56
- D774,366 S * 12/2016 Joseph D10/57
- D786,097 S * 5/2017 Stanton D10/60
- D786,716 S * 5/2017 Stanton D10/60
- D795,098 S * 8/2017 Alla D10/57
- D795,102 S * 8/2017 Alla D10/57
- D807,208 S * 1/2018 Cruz D10/57
- D837,071 S * 1/2019 Yu D10/52
- D841,491 S * 2/2019 Liu D10/57
- D852,651 S * 7/2019 Basu D10/52
- D852,652 S * 7/2019 Basu D10/52
- D856,170 S * 8/2019 Aidehag D10/57
- D860,830 S * 9/2019 Carrière D10/57
- D867,171 S * 11/2019 Dolgonosov D10/57
- D948,356 S 4/2022 Singh et al.

* cited by examiner

Primary Examiner — George D. Kirschbaum

Assistant Examiner — Lillian Windham

(74) *Attorney, Agent, or Firm* — ScienBiziP, P.C.

(57) **CLAIM**

The ornamental design for a wireless thermometer probe, as shown and described.

DESCRIPTION

FIG. 1 is a front, right and top perspective view of a wireless thermometer probe, showing my design.

FIG. 2 is a front elevation view thereof.

FIG. 3 is a rear elevation view thereof.

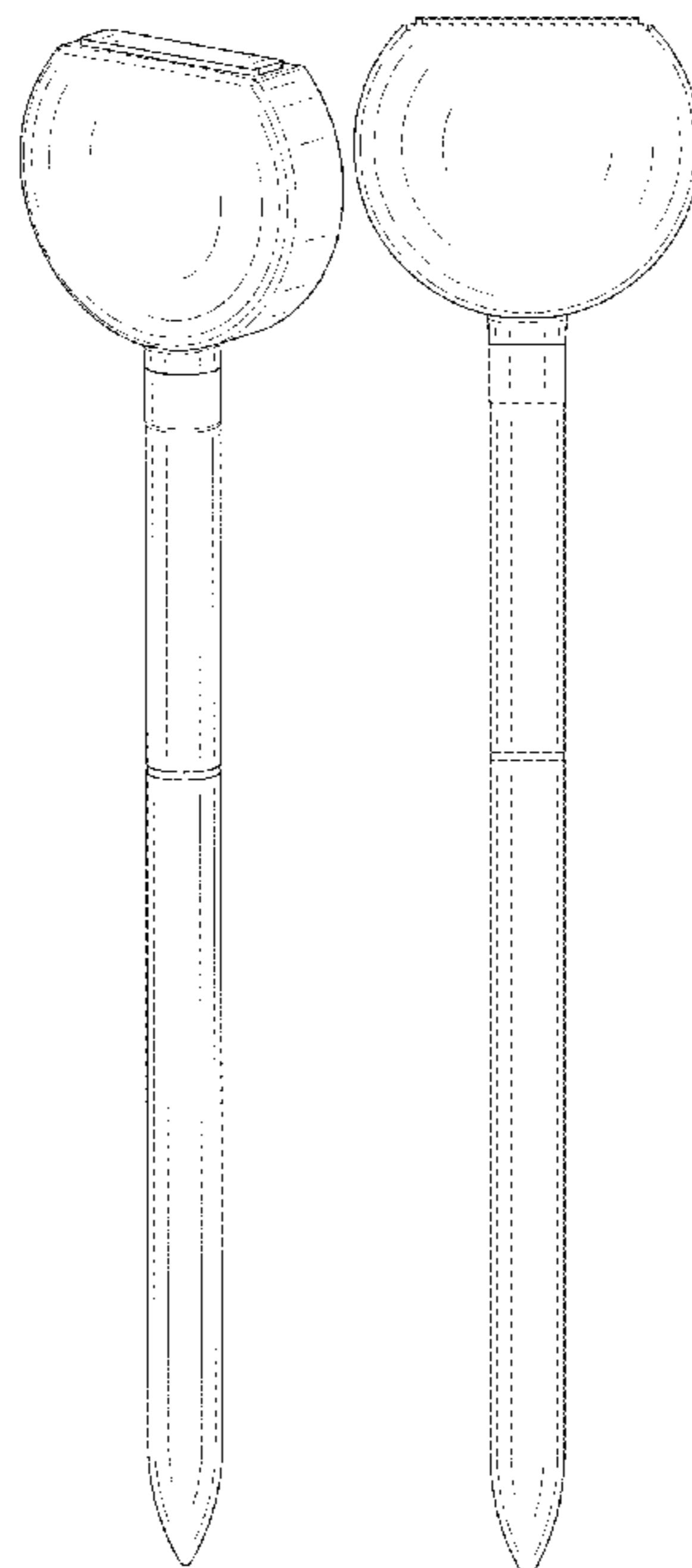
FIG. 4 is a left side elevation view thereof.

FIG. 5 is a right side elevation view thereof.

FIG. 6 is a top plan view thereof; and,

FIG. 7 is a bottom plan view thereof.

1 Claim, 7 Drawing Sheets



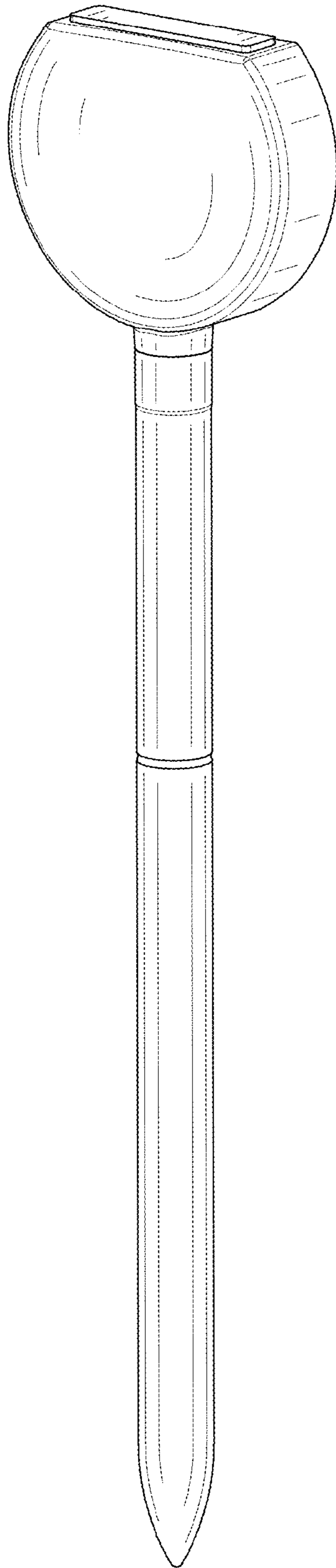


FIG. 1

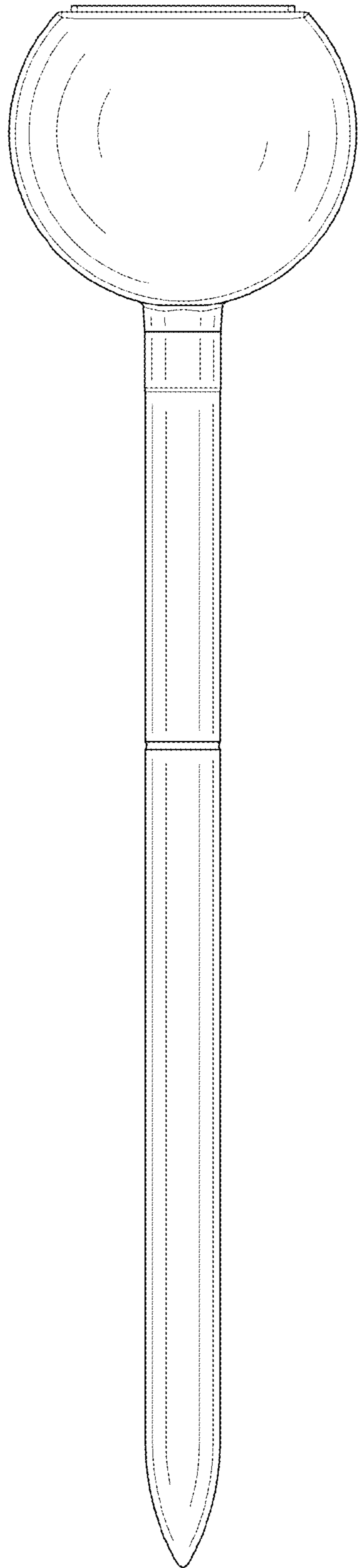


FIG. 2

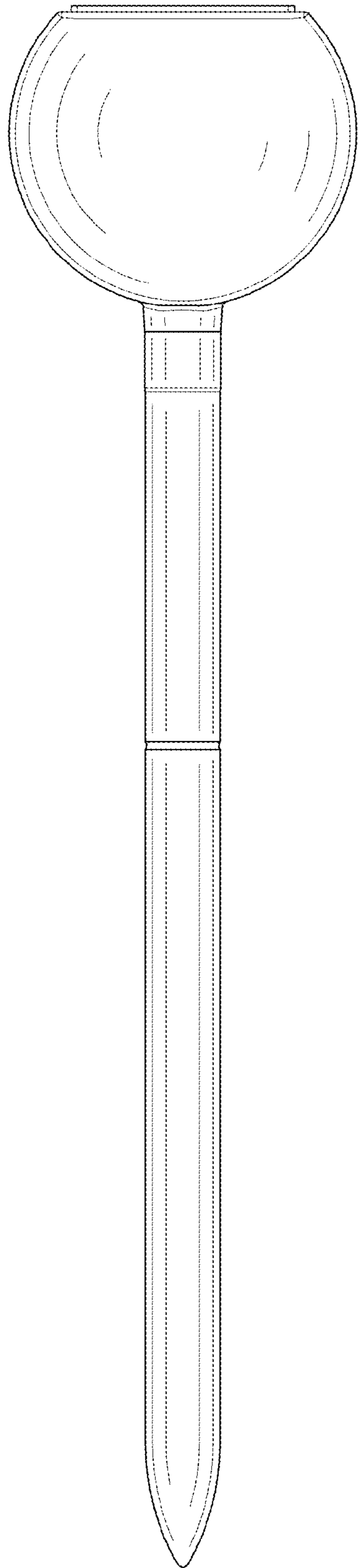


FIG. 3

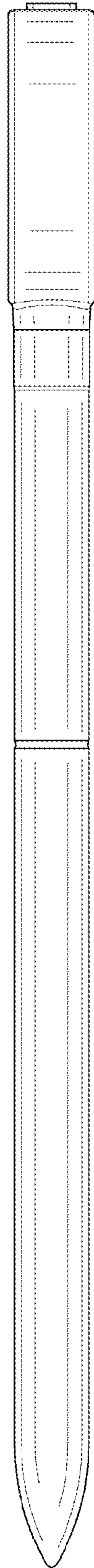


FIG. 4

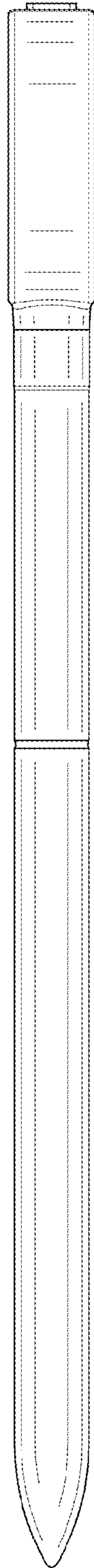


FIG. 5

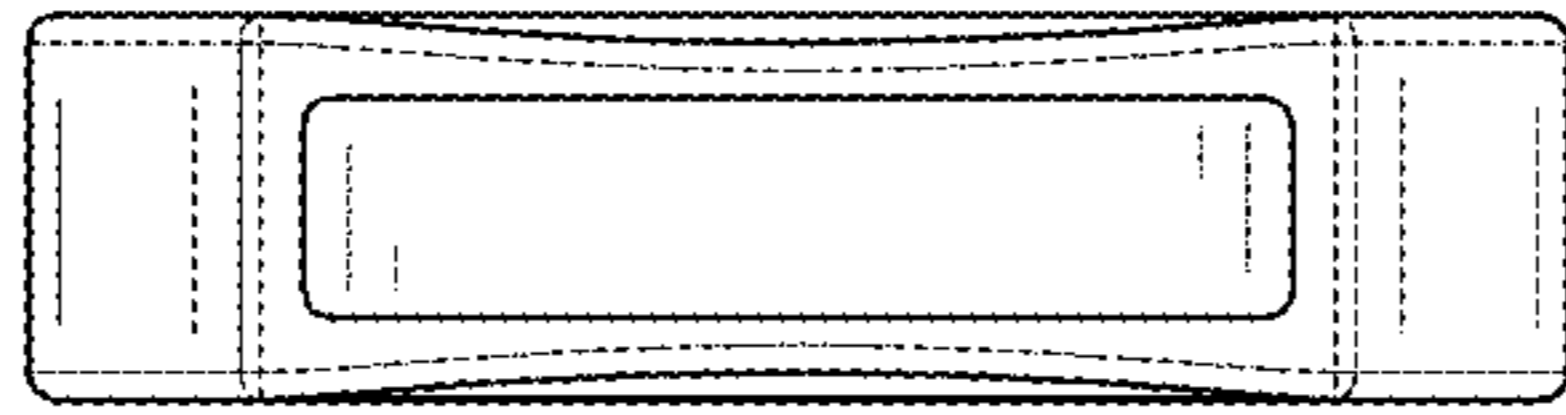


FIG. 6

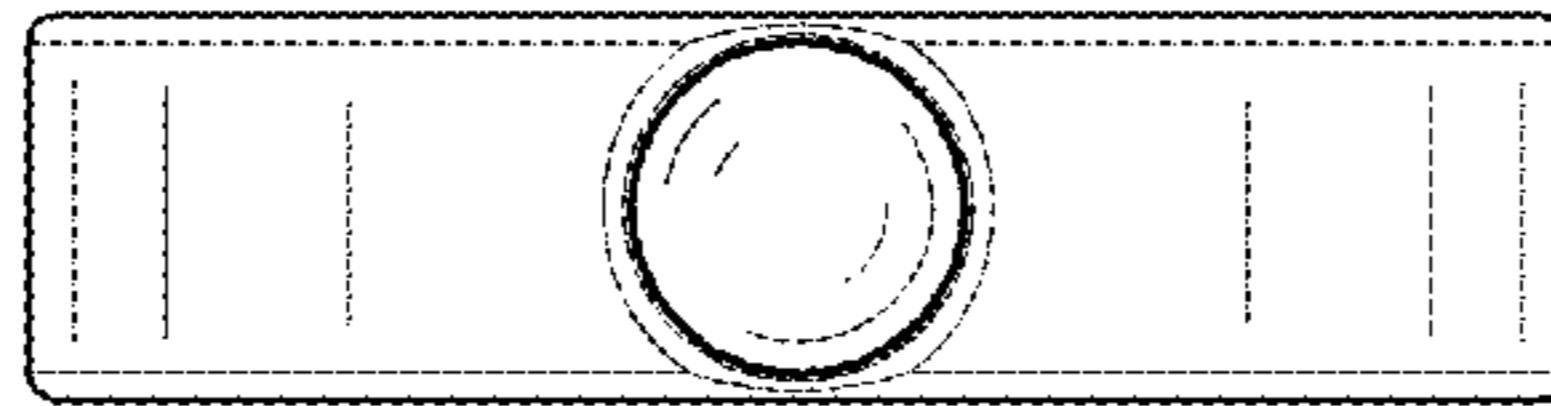


FIG. 7