



US00D962793S

(12) **United States Design Patent**
Grabbert et al.

(10) **Patent No.:** **US D962,793 S**
(45) **Date of Patent:** **** Sep. 6, 2022**

(54) **USER-INTERFACE FOR A SOIL SENSING SYSTEM**

(71) Applicant: **stenon GmbH**, Potsdam (DE)

(72) Inventors: **Niels Grabbert**, Potsdam (DE); **Bernd Spleiss**, Munich (DE)

(73) Assignee: **stenon GmbH**

(**) Term: **15 Years**

(21) Appl. No.: **29/728,309**

(22) Filed: **Mar. 17, 2020**

(51) **LOC (13) Cl.** **10-05**

(52) **U.S. Cl.**
USPC **D10/56; D10/81**

(58) **Field of Classification Search**
USPC D10/49-56, 59, 65, 81, 103, 96-98
CPC G01N 3/42; G01N 3/48; G01N 2033/245;
G01N 1/08; G01N 33/24; G01N 2001/2276; G01N 2001/2279; G01N 7/00; G01N 7/02; G01N 7/04; G01N 7/06; G01N 7/08; G01N 7/10; G01N 7/12; G01N 7/16; G01N 7/18; G01N 7/20; Y10T 436/173076; Y10T 436/25375; G01V 9/00; A01C 21/007; A01C 21/005; G06Q 10/10

See application file for complete search history.

(56) **References Cited**

U.S. PATENT DOCUMENTS

3,803,570 A	4/1974	Barlow	
D247,899 S *	5/1978	Underwood	D15/12
D250,882 S *	1/1979	Johansen	D10/56
D288,180 S	2/1987	Shrull	
6,121,040 A	9/2000	Sakuranaga	
D526,914 S *	8/2006	Holbein	D10/56
D747,939 S	1/2016	Behar	

(Continued)

FOREIGN PATENT DOCUMENTS

CN	303125919	*	9/2014
CN	305221161	*	3/2019

(Continued)

OTHER PUBLICATIONS

Dominic Roth, Developing revolutionary sensortechnology for soil analysis, Date first available Jun. 17, 2020, [online]retrieved Nov. 2, 2021,available from <https://www.innovationnewsnetwork.com/developing-revolutionary-sensor-technology-for-soil-analysis/5584/> (Year: 2020).*

(Continued)

Primary Examiner — Keli L Hill

Assistant Examiner — Sara S Sahneh

(74) *Attorney, Agent, or Firm* — Dorsey & Whitney LLP

(57) **CLAIM**

The ornamental design for a user-interface for a soil sensing system, as shown and described.

DESCRIPTION

The file of this patent contains at least one drawing executed in color. Copies of this patent with color drawings will be provided by the Office upon request and payment of the necessary fee.

FIG. 1 is a front and right perspective view of a user-interface for a soil sensing system.

FIG. 2 is a front, top, and right perspective view thereof.

FIG. 3 is a front view thereof.

FIG. 4 is a back view thereof.

FIG. 5 is a left side view thereof.

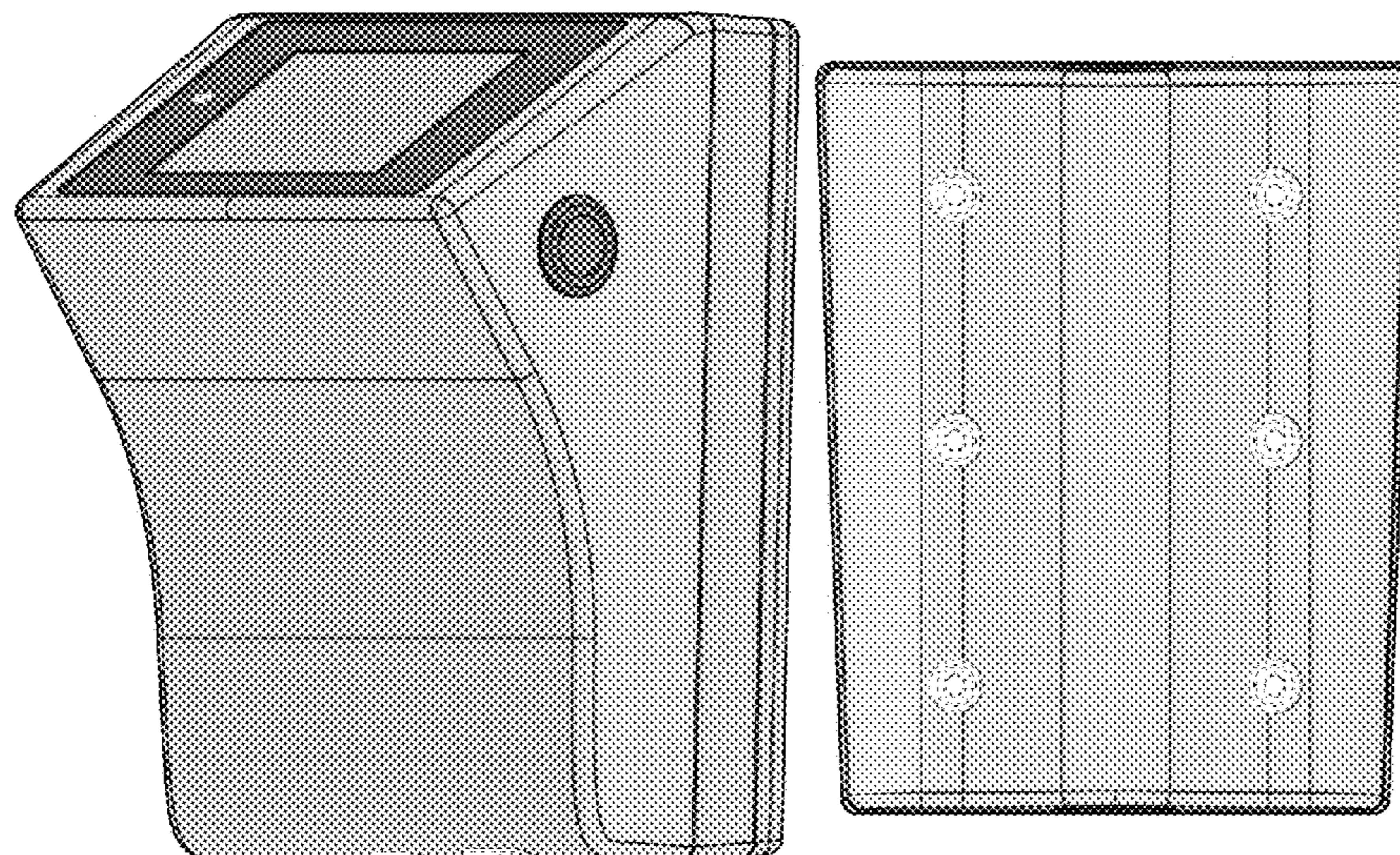
FIG. 6 is a right side view thereof.

FIG. 7 is a top view thereof; and,

FIG. 8 is a bottom view thereof.

The broken lines shown are included for the purpose of illustrating portions of the user-interface for a soil sensing system that form no part of the claim.

1 Claim, 8 Drawing Sheets
(8 of 8 Drawing Sheet(s) Filed in Color)



(56)

References Cited

U.S. PATENT DOCUMENTS

D868,605 S * 12/2019 Tang D10/56
 D894,763 S * 9/2020 Yu D10/56
 2013/0255783 A1* 10/2013 Runge G08B 21/20
 137/1
 2015/0216442 A1 8/2015 Lavy
 2015/0292267 A1* 10/2015 Pierce E21B 7/028
 175/19
 2016/0183484 A1* 6/2016 Richings, Sr. A01G 25/167
 239/11
 2016/0223511 A1* 8/2016 Koshnick A01C 21/007
 2018/0279536 A1* 10/2018 Bindhammer G01N 33/246
 2018/0318893 A1* 11/2018 Roberts C05D 9/00
 2019/0324168 A1* 10/2019 Kiss G01K 13/00
 2021/0223226 A1* 7/2021 Grabbert G01N 27/223
 2021/0258661 A1 8/2021 Murray

FOREIGN PATENT DOCUMENTS

CN 305432589 * 4/2019
 CN 305593542 2/2020

CN 306559601 * 11/2020
 CN 306348885 2/2021
 CN 306449936 * 4/2021
 CN 306568967 * 5/2021
 CN 306885144 * 7/2021

OTHER PUBLICATIONS

Alison O’Leary, 7 Best Soil Test Kits, Date first available Jun. 28, 2021, [online]retrieved Nov. 2, 2021, available from <https://www.familyhandyman.com/list/soil-test-kits/> (Year: 2021).*

8 Best Soil PH Tester, HELPFUL, Date first available 2020, [online]retrieved Nov. 2, 2021, available from <https://www.helpfulgarden.com/soil/best-soil-ph-tester/> (Year: 2020).*

Office Action dated Nov. 15, 2021 for U.S. Appl. No. 29/728,302.

Office Action dated Nov. 15, 2021 for U.S. Appl. No. 29/728,306.

* cited by examiner

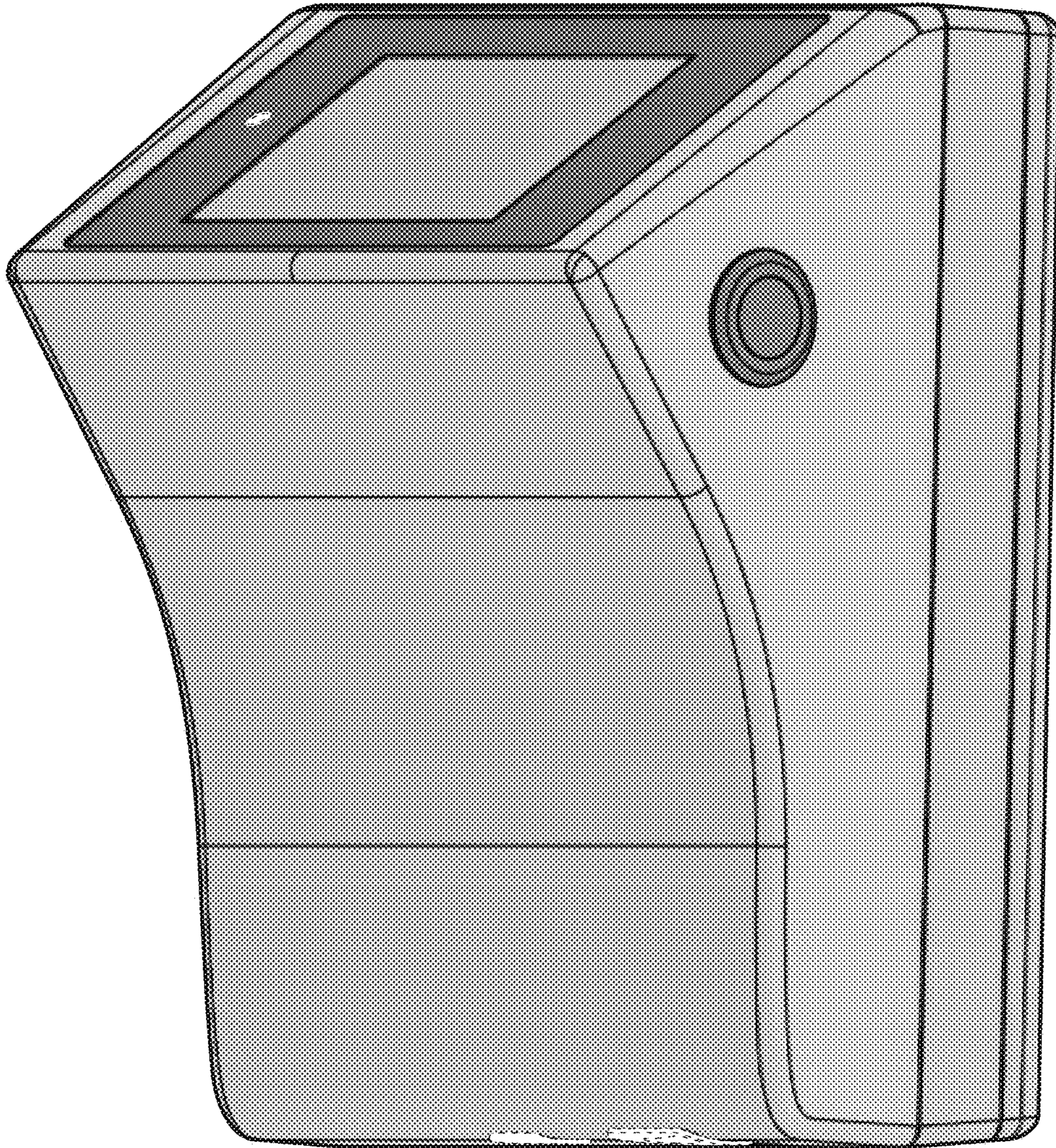


FIG. 1

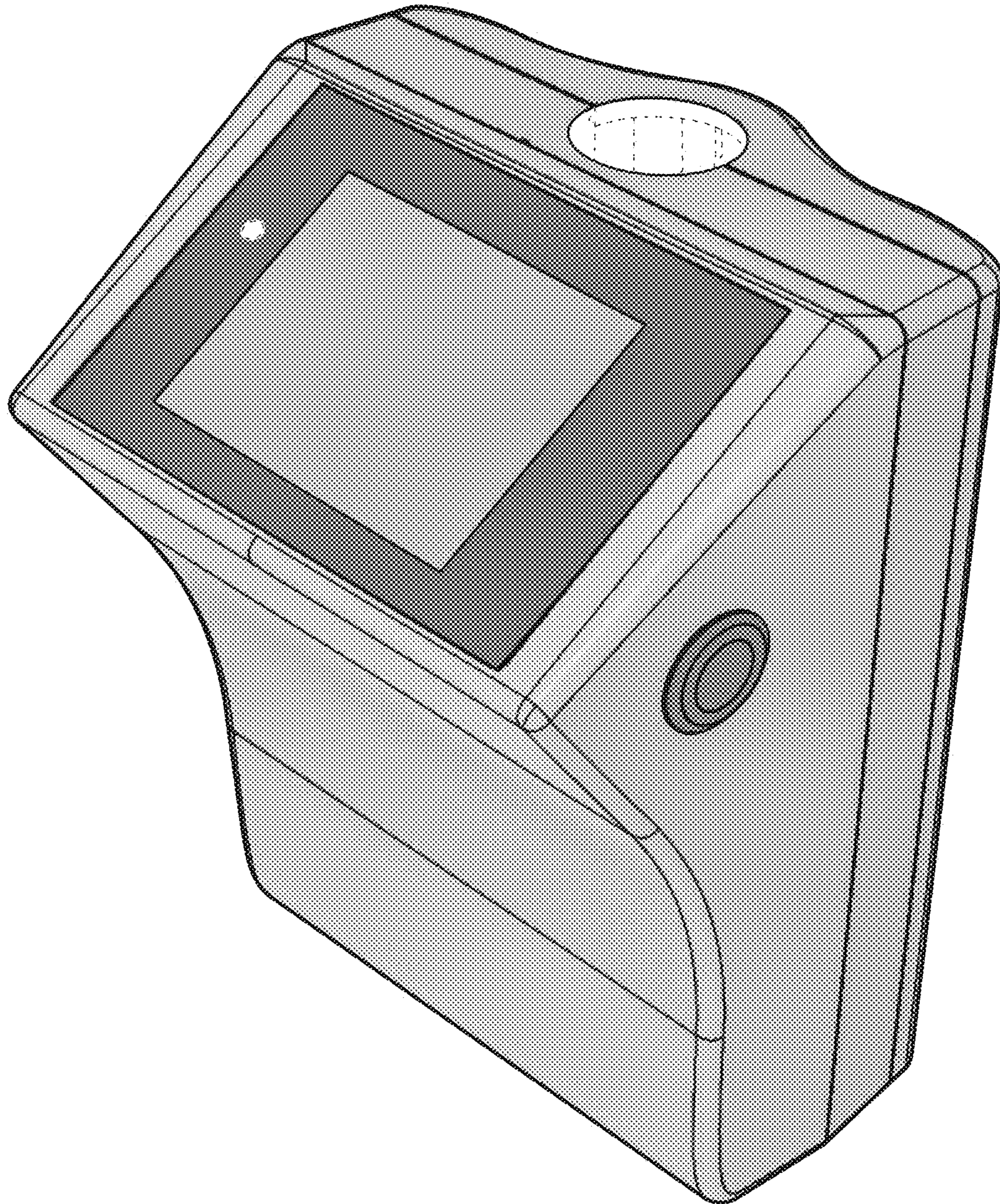


FIG. 2

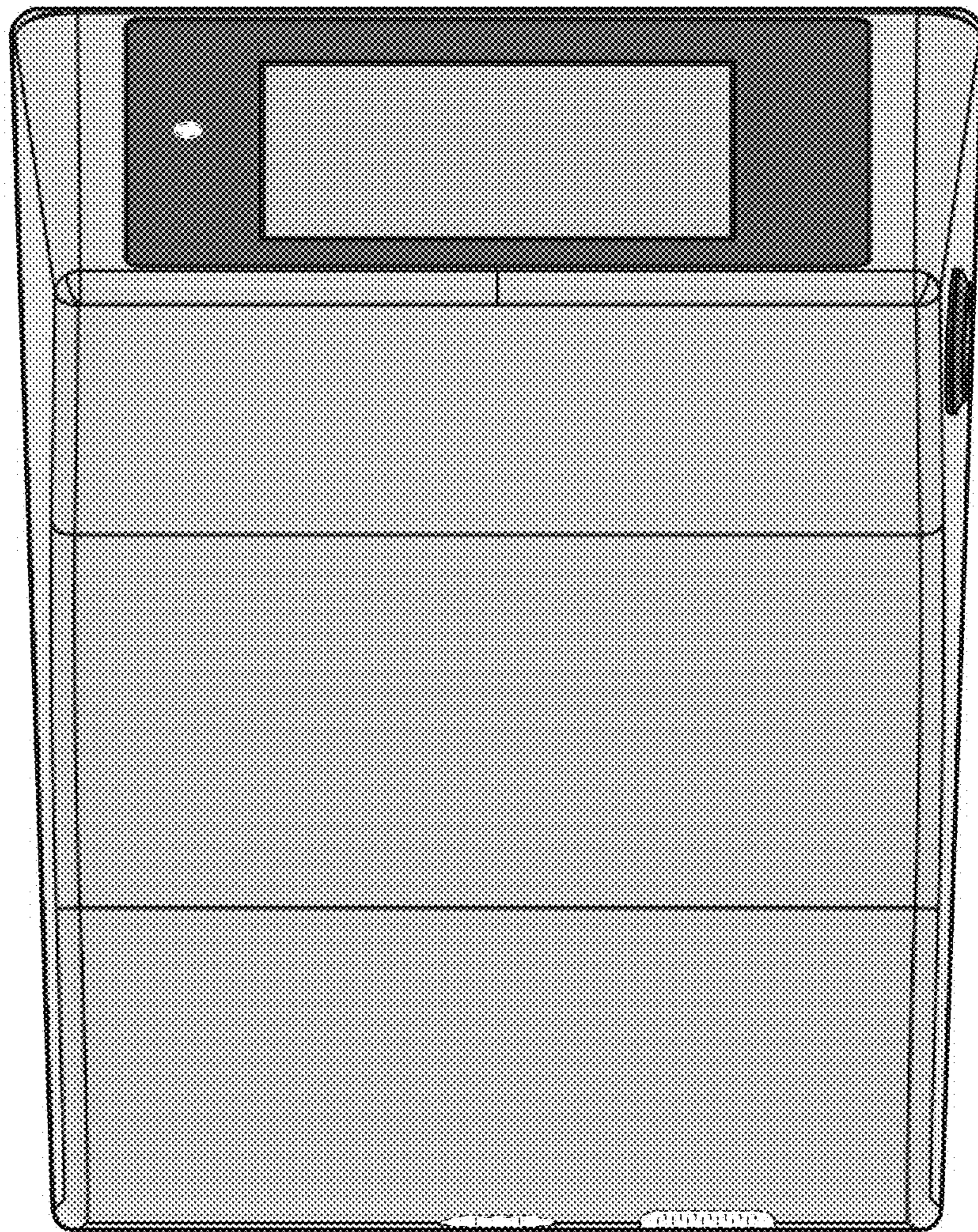


FIG. 3

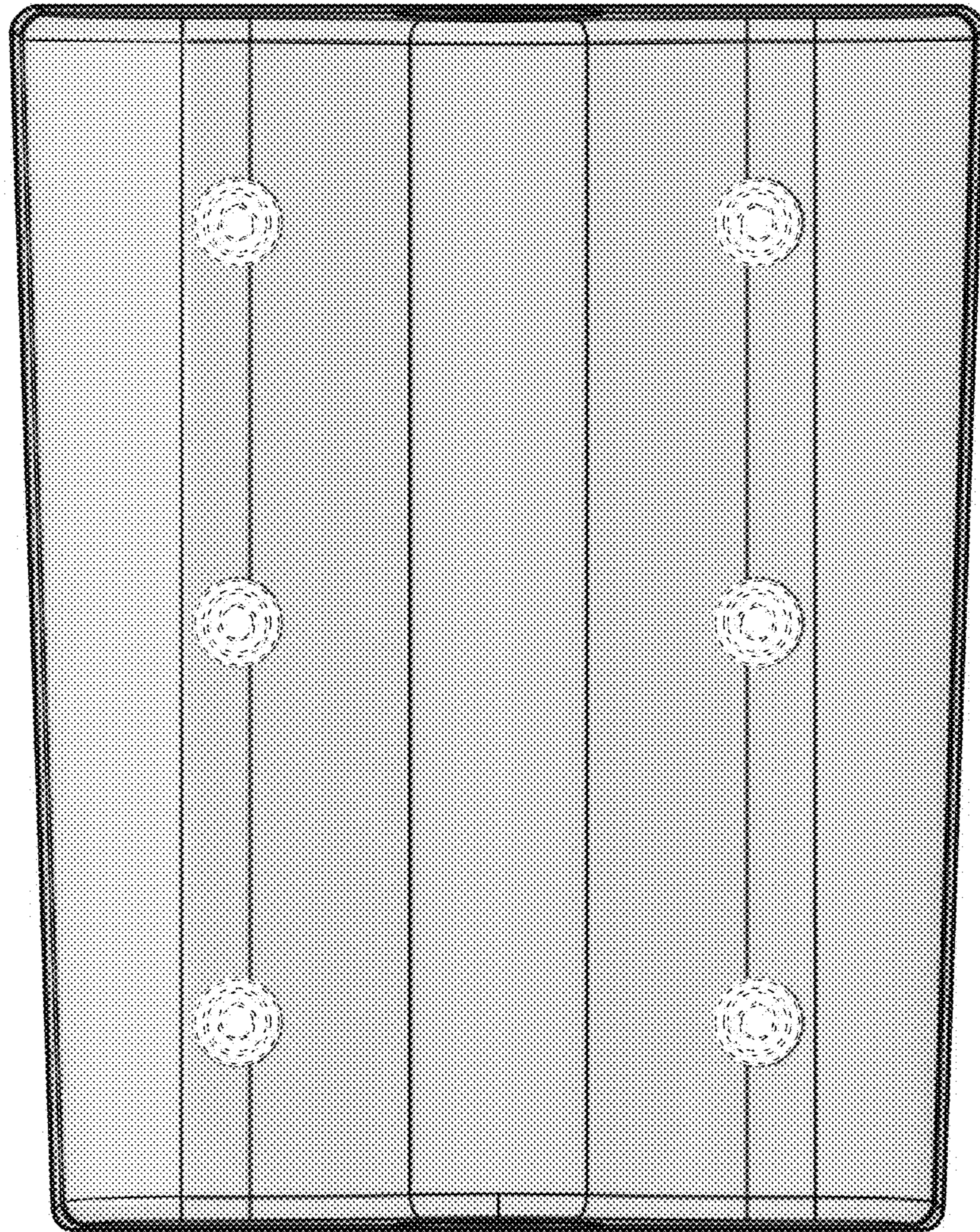


FIG. 4

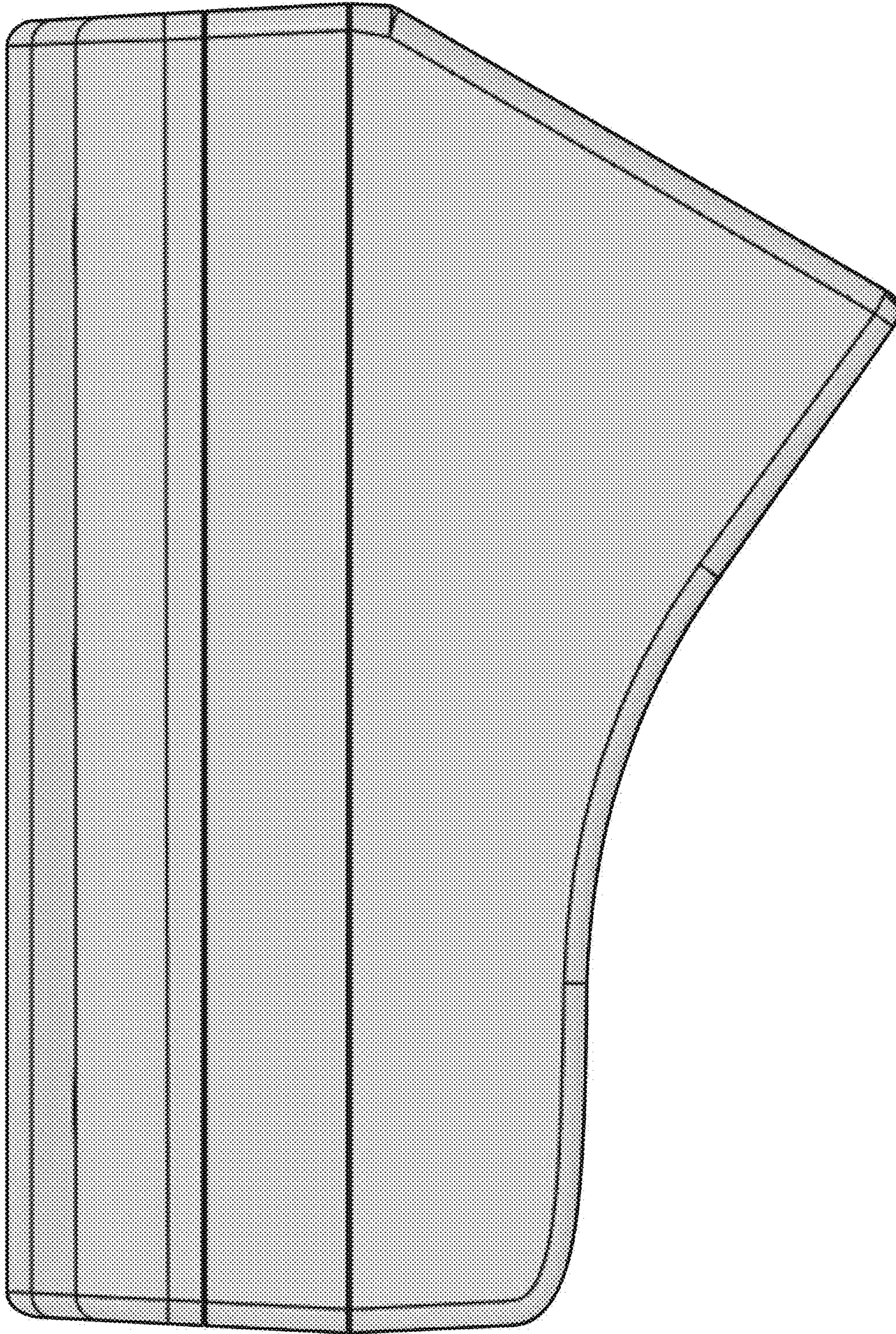


FIG. 5

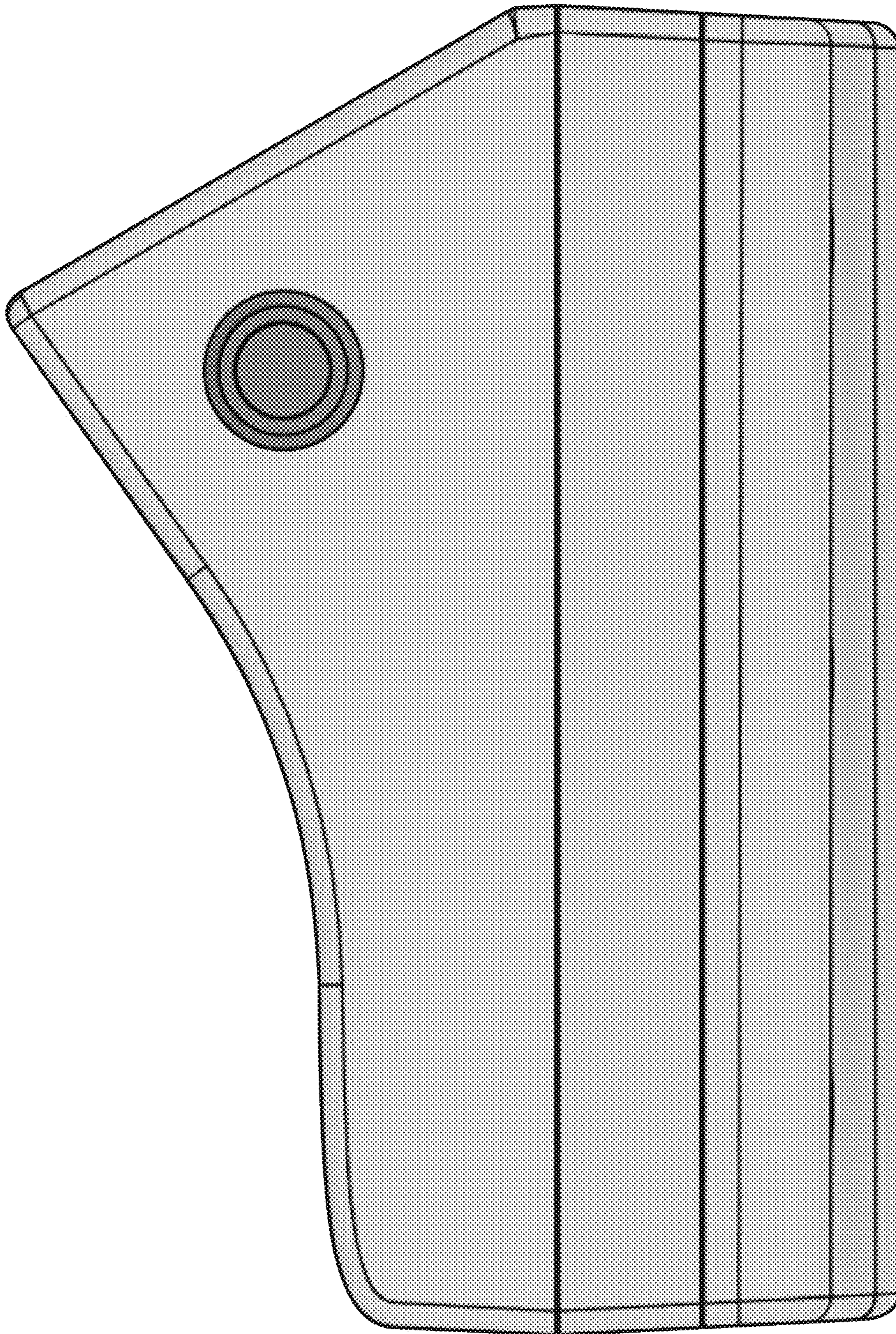


FIG. 6

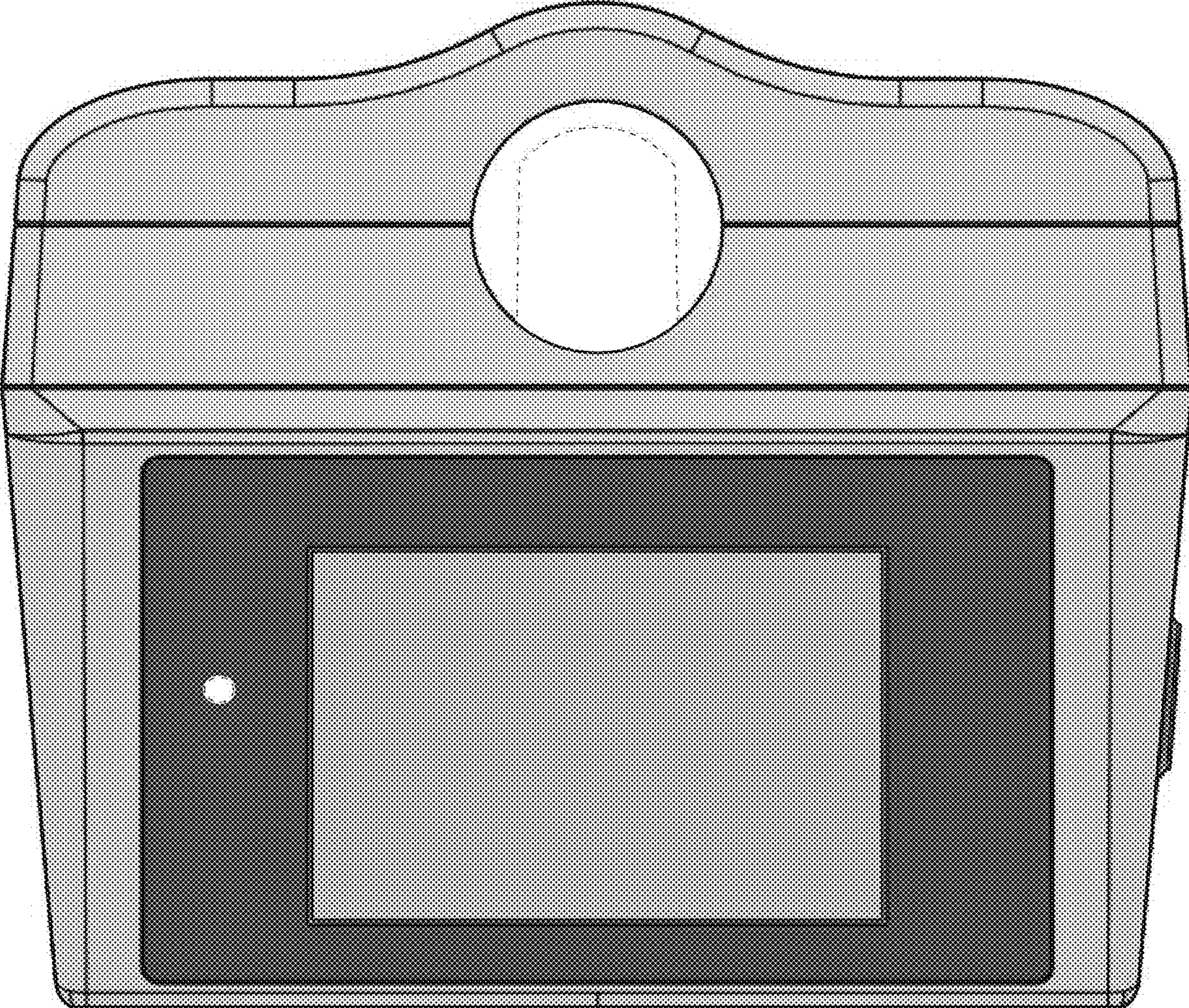


FIG. 7

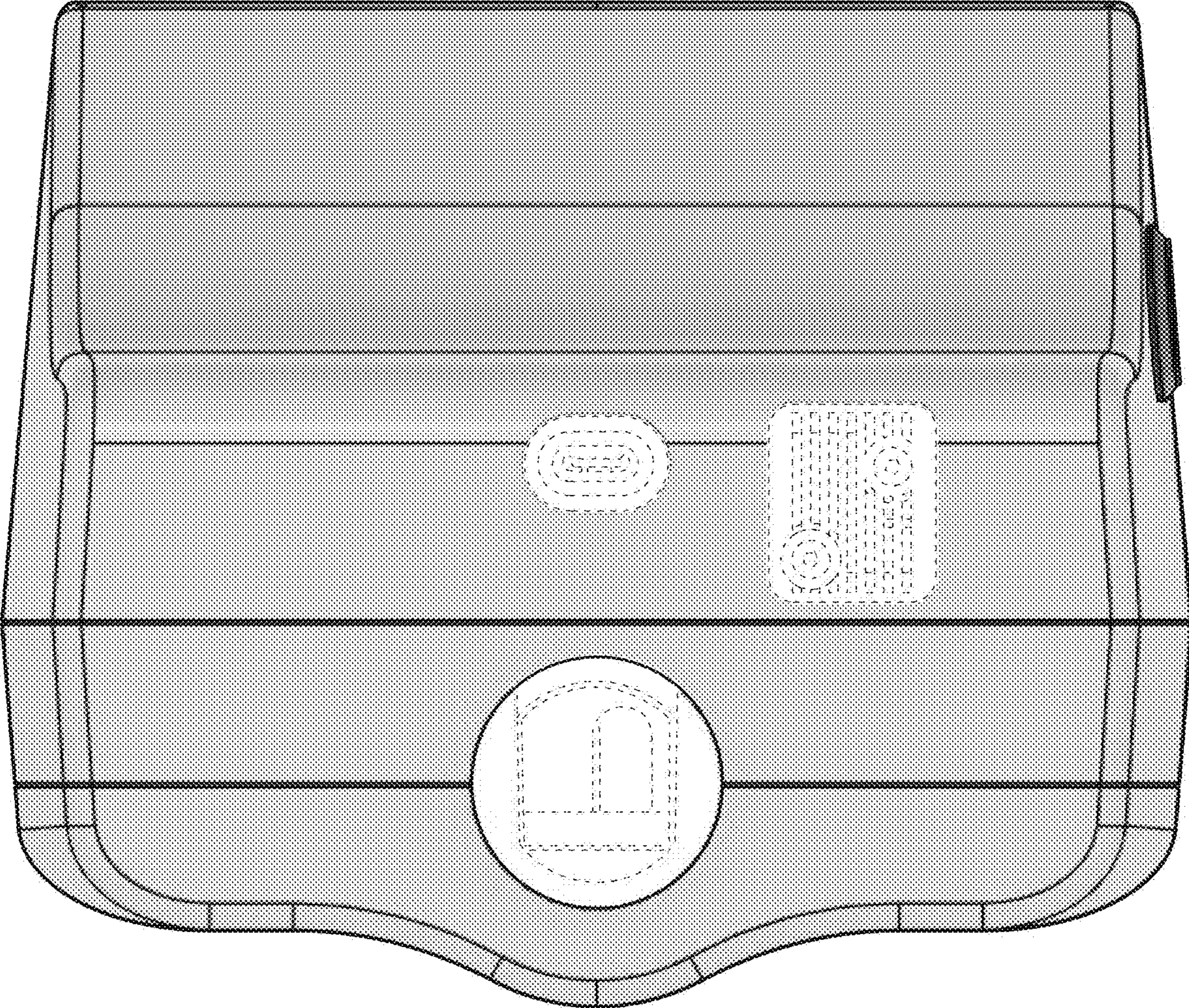


FIG. 8

UNITED STATES PATENT AND TRADEMARK OFFICE
CERTIFICATE OF CORRECTION

PATENT NO. : D962,793 S
APPLICATION NO. : 29/728309
DATED : September 6, 2022
INVENTOR(S) : Niels Grabbert and Bernd Spleiss

Page 1 of 1

It is certified that error appears in the above-identified patent and that said Letters Patent is hereby corrected as shown below:

On the Title Page

Item [30], insert:

--Foreign Application Priority Data

October 7, 2019 [EM] European Union Intellectual Property Office 006990677-0003--

Signed and Sealed this
Third Day of January, 2023
Katherine Kelly Vidal

Katherine Kelly Vidal
Director of the United States Patent and Trademark Office