



US00D962790S

(12) **United States Design Patent**  
**Patel**

(10) **Patent No.:** **US D962,790 S**

(45) **Date of Patent:** **\*\* Sep. 6, 2022**

(54) **WRISTWATCH**

(71) Applicant: **ATHENA FUTURES, INC.**, Toronto  
(CA)

(72) Inventor: **Harsh Dinesh Patel**, Toronto (CA)

(\*\*) Term: **15 Years**

(21) Appl. No.: **29/761,657**

(22) Filed: **Dec. 10, 2020**

(51) **LOC (13) Cl.** ..... **10-02**

(52) **U.S. Cl.**

USPC ..... **D10/32**; D14/344

(58) **Field of Classification Search**

USPC ..... D10/30-39, 65, 70; D11/3; D14/341,  
D14/344, 440; D24/167, 186

CPC ..... A61B 5/681; G04G 17/00; G04G 17/08;  
G04G 17/083; G04G 21/08; A44C 5/00;  
A44C 5/0007; A44C 5/0023; A44C  
5/0053; A44C 5/147; A44C 5/18

See application file for complete search history.

(56) **References Cited**

**U.S. PATENT DOCUMENTS**

D528,928 S *	9/2006	Burton	.....	D10/38
D710,824 S *	8/2014	Mackiewicz	.....	D14/214
D724,556 S *	3/2015	Choi	.....	D14/138 R
D725,497 S *	3/2015	Henne	.....	D10/38
D731,898 S *	6/2015	Squires	.....	D10/30
D738,772 S *	9/2015	Choi	.....	D11/3
D749,570 S *	2/2016	Lee	.....	D14/344
D751,928 S *	3/2016	Shaanan	.....	D10/38
D752,579 S *	3/2016	Lee	.....	D14/344
D759,623 S *	6/2016	Dahlberg	.....	D14/138 R
D766,115 S *	9/2016	Ma	.....	D10/70
D767,436 S *	9/2016	Goodner	.....	D11/3
D786,861 S *	5/2017	Pu	.....	D14/344
D800,110 S *	10/2017	Kim	.....	D14/344
D800,721 S *	10/2017	Kim	.....	D14/344
D802,151 S *	11/2017	Bagatar	.....	D24/186
D807,877 S *	1/2018	Iwamatsu	.....	D14/344

D809,510 S *	2/2018	Rochat	.....	D14/344
D835,533 S *	12/2018	Zheng	.....	D10/70
D839,753 S *	2/2019	Domke	.....	D10/30
D843,864 S *	3/2019	Vandenbussche	.....	D10/70
D850,444 S *	6/2019	Mullins	.....	D14/344

(Continued)

**OTHER PUBLICATIONS**

Athena Futures Potty Training Watch Instructions | youtube.com;  
posted by Athena Futures Feb. 4, 2020 [online]. © [retrieved Oct.  
21, 2021] from Internet: <<https://www.youtube.com/watch?v=oPkJofQ20EY>> (Year: 2020).\*

(Continued)

*Primary Examiner* — Katherine Glennon

(74) *Attorney, Agent, or Firm* — Corrinne Lobe

(57) **CLAIM**

The ornamental design for a wristwatch, as shown and described.

**DESCRIPTION**

FIG. 1 is an isometric view of a wristwatch, as viewed from the top towards the bottom;

FIG. 2 is a top plan view of the wristwatch;

FIG. 3 is a bottom plan view of the wristwatch;

FIG. 4 is a side view of the wristwatch, as viewed from the left;

FIG. 5 is a side view of the wristwatch, as viewed from the right;

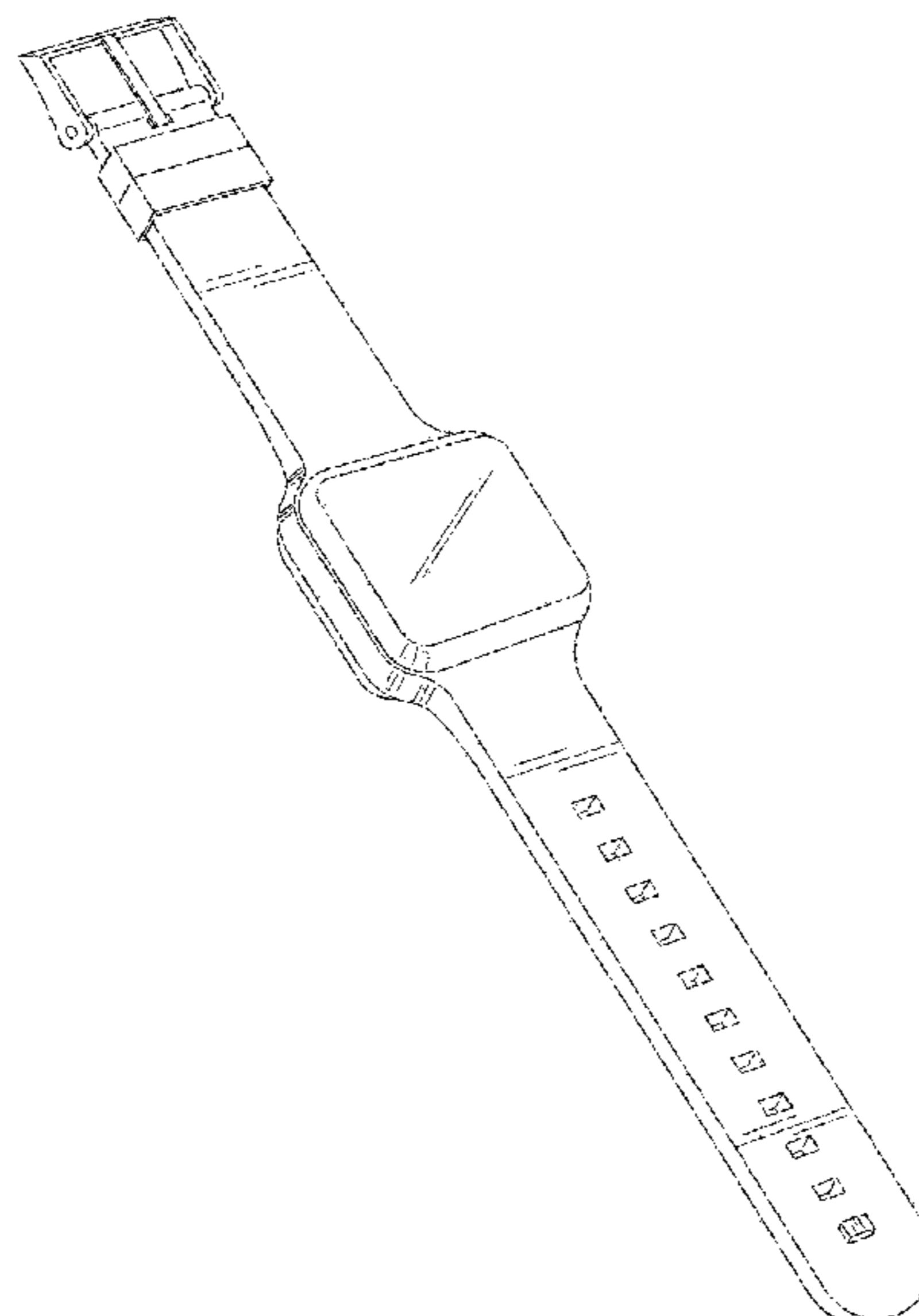
FIG. 6 is an end view of the wristwatch, as viewed from the top;

FIG. 7 is an end view of the wristwatch, as viewed from the bottom;

FIG. 8 is an isometric exploded view of the wristwatch, as viewed from the top towards the bottom; and,

FIG. 9 is an isometric view of the wristwatch with the strap coiled, as viewed from the front towards the back.

**1 Claim, 5 Drawing Sheets**



(56)

**References Cited**

U.S. PATENT DOCUMENTS

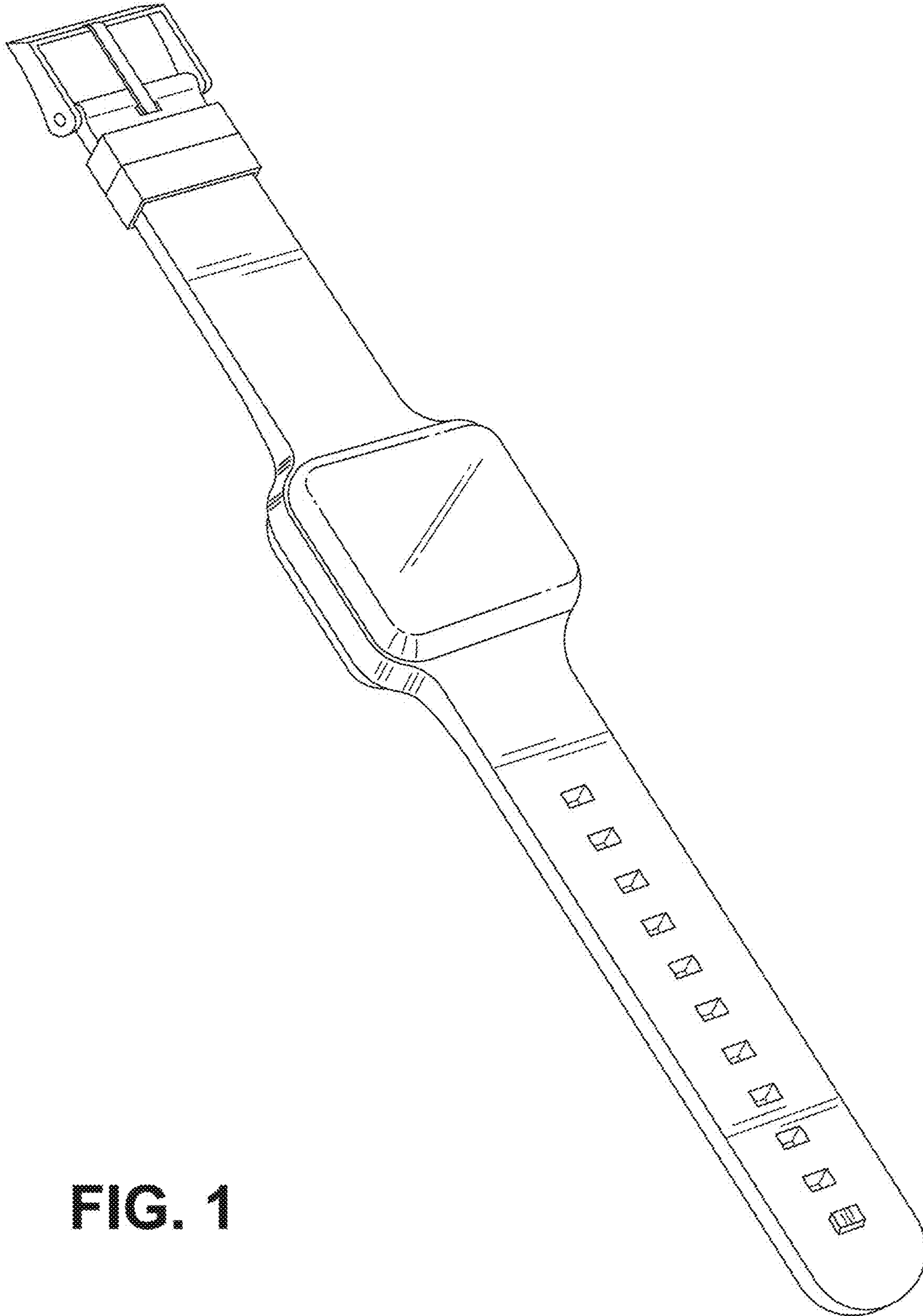
10,331,083 B1 \* 6/2019 Ness ..... H04N 5/247  
D854,960 S \* 7/2019 Yu ..... D11/3  
D855,813 S \* 8/2019 Hu ..... D24/186  
D862,462 S \* 10/2019 Zhang ..... D14/344  
D863,297 S \* 10/2019 Ke ..... D14/344  
D869,461 S \* 12/2019 Ke ..... D14/344  
2016/0183390 A1 \* 6/2016 Yang ..... G06F 1/16  
361/679.01  
2021/0200262 A1 \* 7/2021 Shankar ..... G06F 3/04883

OTHER PUBLICATIONS

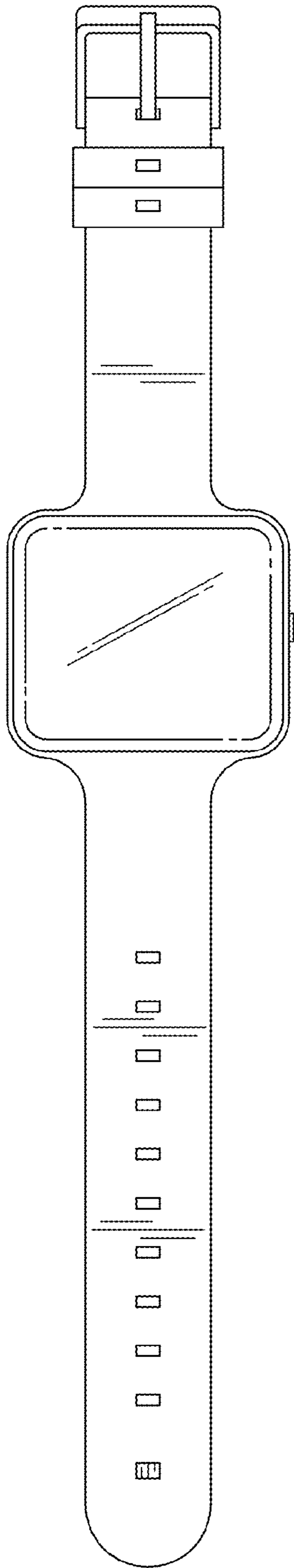
ABC123 Potty Training Watch 2 | amazon.com; customer review date Aug. 31, 2020 [online]. © 1996-2021, Amazon.com, Inc [retrieved Oct. 21, 2021] from Internet: <<https://www.amazon.com/ABC123-Training-Reminder-Resistant-Toddler/dp/B08DTFW1Y6?th=1>>(Year: 2020).\*

Potty Training Timer Watch | amazon.com; date first available Feb. 3, 2020 [online], © 1996-2021, Amazon.com, Inc [retrieved Dec. 13, 2021] from Internet: <<https://www.amazon.com/Potty-Training-Timer-Flashing-Lights/dp/B0833B64ZT>> (Year: 2020).\*

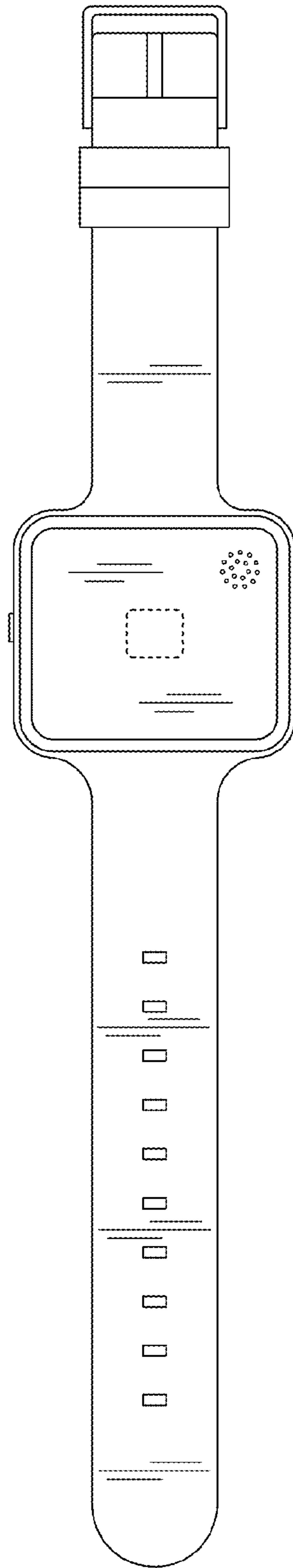
\* cited by examiner



**FIG. 1**



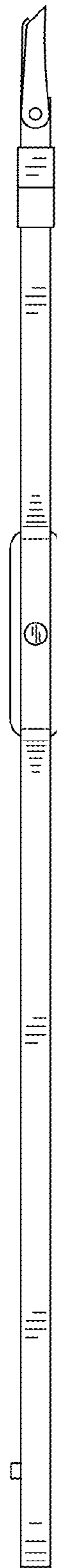
**FIG. 2**



**FIG. 3**



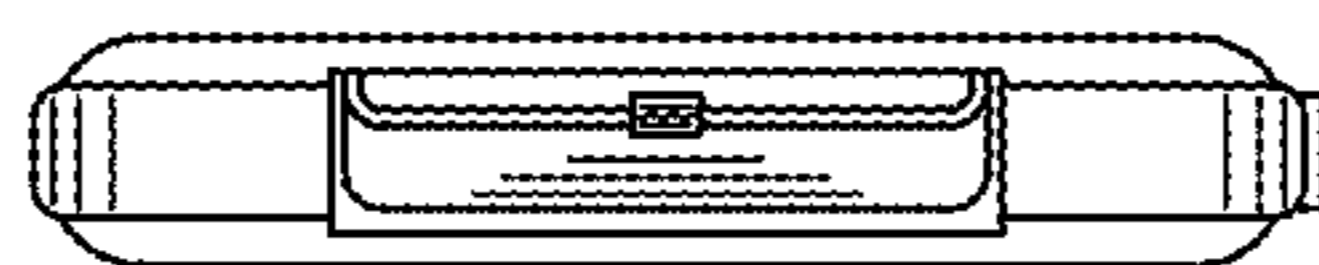
**FIG. 4**



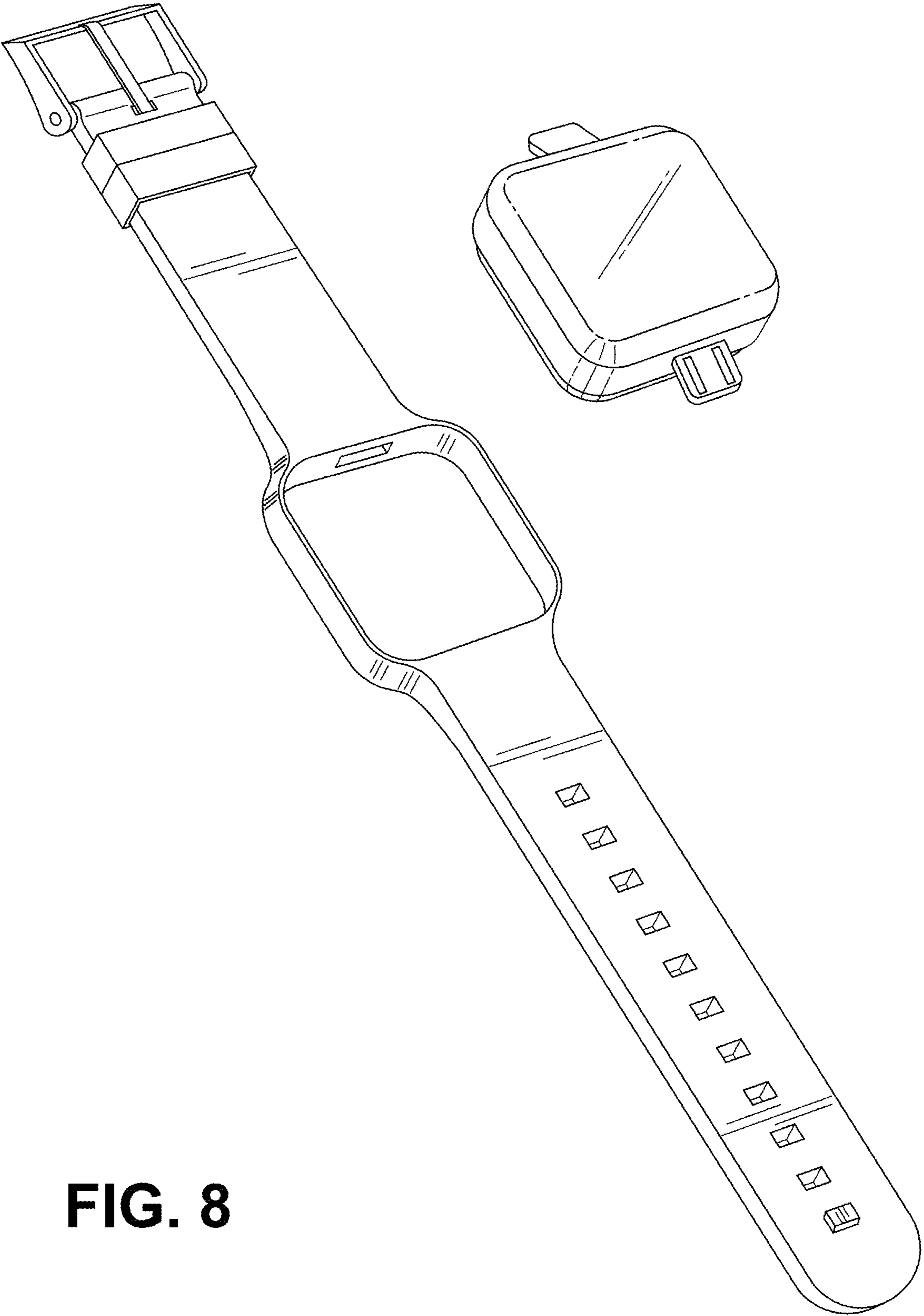
**FIG. 5**



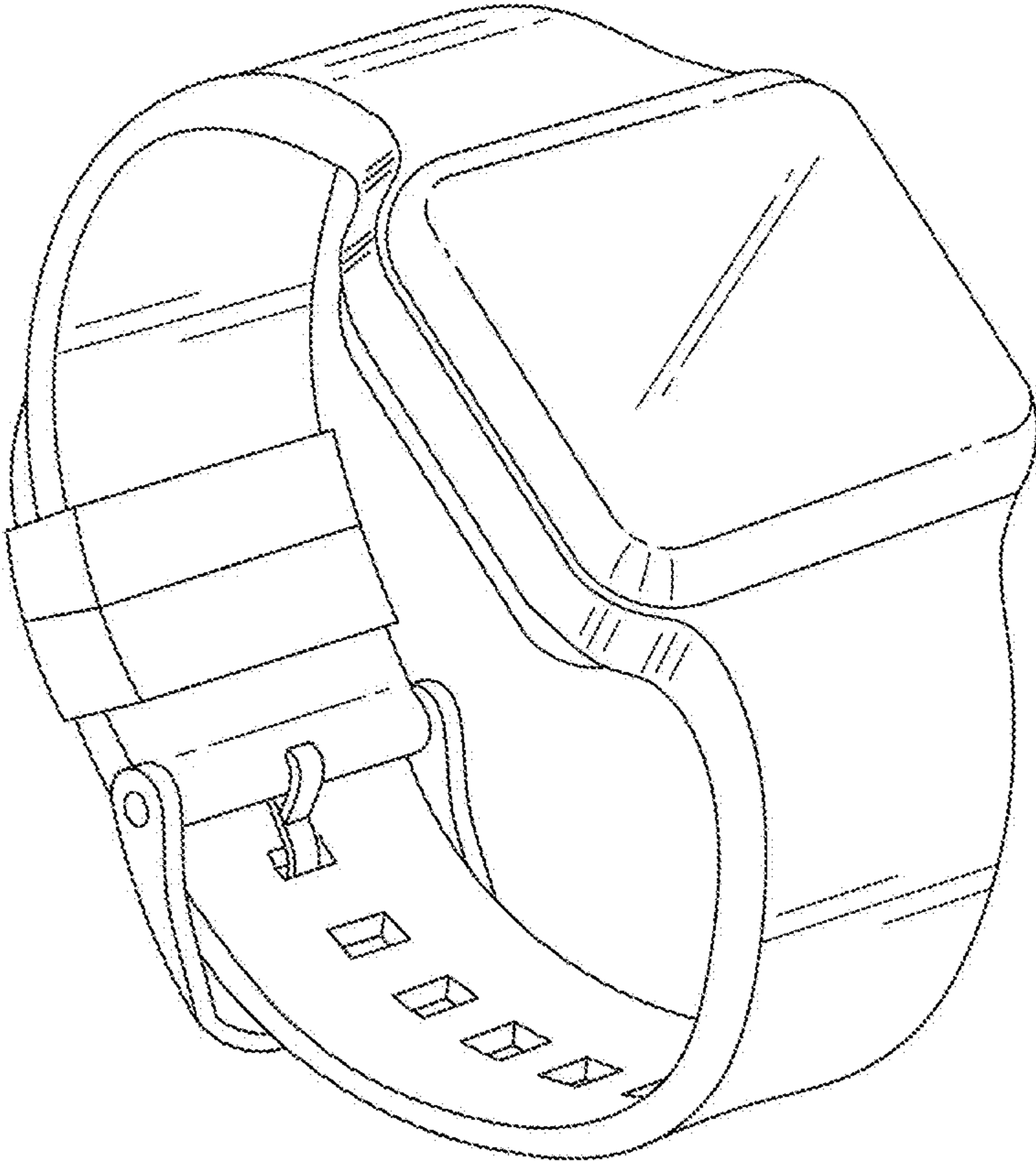
**FIG. 6**



**FIG. 7**



**FIG. 8**



**FIG. 9**