

US00D962789S

(12) **United States Design Patent**
Noel

(10) **Patent No.:** **US D962,789 S**
(45) **Date of Patent:** **** Sep. 6, 2022**

- (54) **CAN HOLDER**
- (71) Applicant: **YFY JUPITER LIMITED**, Taipei (TW)
- (72) Inventor: **Borja Noel**, Taipei (TW)
- (73) Assignee: **YFY JUPITER LIMITED**, Taipei (TW)
- (**) Term: **15 Years**
- (21) Appl. No.: **29/710,218**
- (22) Filed: **Oct. 22, 2019**
- (51) **LOC (13) Cl.** **09-03**
- (52) **U.S. Cl.**
USPC **D9/752**
- (58) **Field of Classification Search**
USPC D9/737, 751-756, 455, 456, 517, 716,
D9/719; D7/553.1, 553.4, 553.5, 553.8,
D7/555, 701, 708; D3/310-315
CPC B65B 17/025; B65D 71/42; B65D 71/00;
B65D 71/44; B65D 71/46; B65D 71/48
See application file for complete search history.

- (56) **References Cited**
U.S. PATENT DOCUMENTS
- 2,437,800 A * 3/1948 Andersen B65D 71/50
294/87.26
- 3,214,016 A * 10/1965 Stephan B65D 71/08
D9/752
- 3,310,334 A * 3/1967 Murphy B65D 71/406
206/145
- 3,353,729 A * 11/1967 Hull A47G 23/0266
220/759
- 3,612,266 A * 10/1971 Graser B65D 71/48
206/161
- 3,653,503 A * 4/1972 Arneson B65D 71/42
294/87.2
- D270,428 S * 9/1983 Arfert D9/752

- 5,201,412 A * 4/1993 Schuster B65D 71/44
294/87.2
- 5,282,348 A * 2/1994 Dampier B65D 71/406
53/413
- 5,310,051 A * 5/1994 Sutherland B65D 71/44
206/161
- 5,318,178 A * 6/1994 Davies B65D 71/403
206/151
- 5,351,817 A * 10/1994 Sutherland B65D 71/42
206/153
- 5,355,999 A * 10/1994 Sutherland B65D 71/42
206/153
- 5,452,799 A * 9/1995 Sutherland B65D 71/44
206/427
- D551,038 S * 9/2007 Evaimalo D7/708
(Continued)

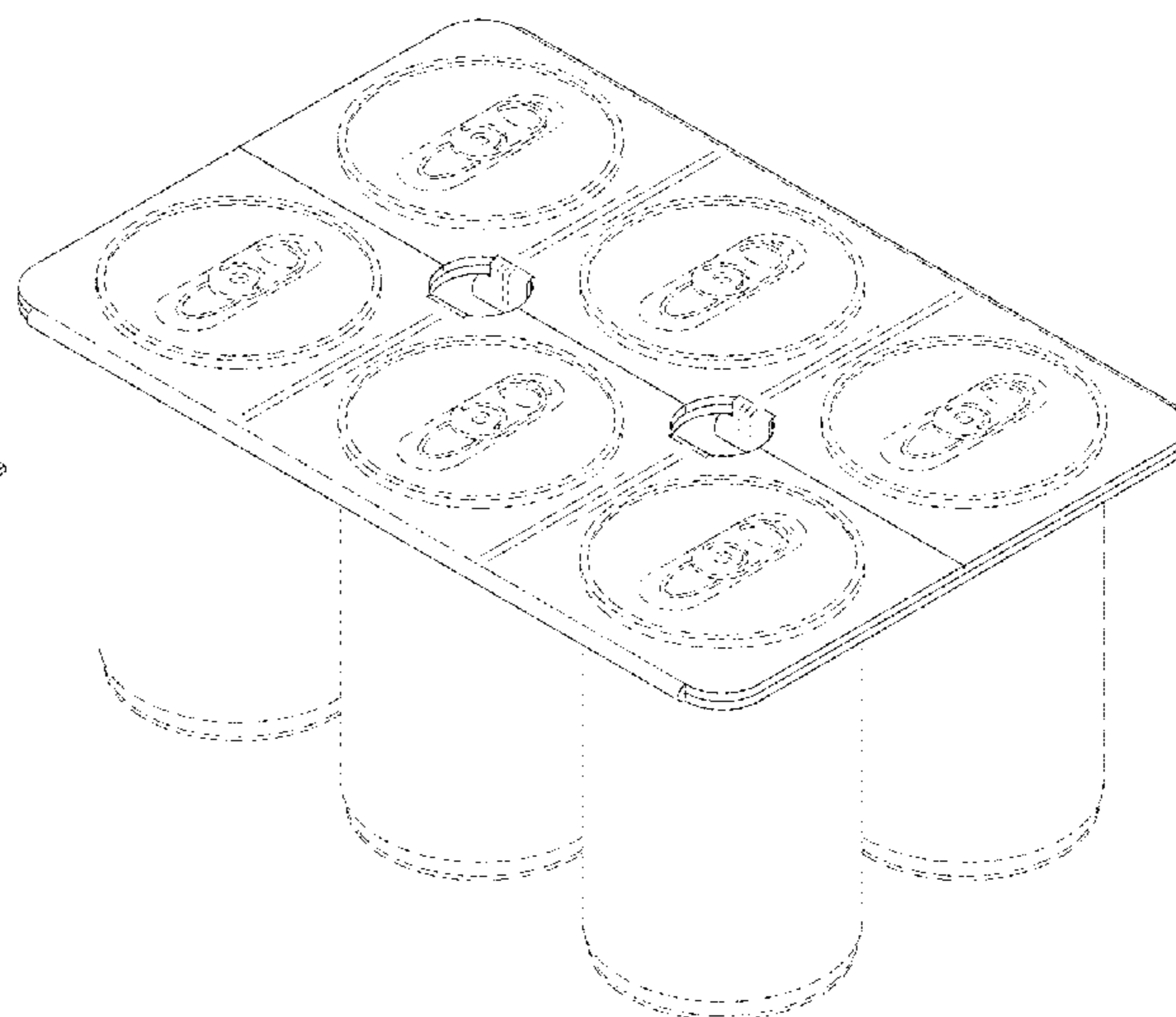
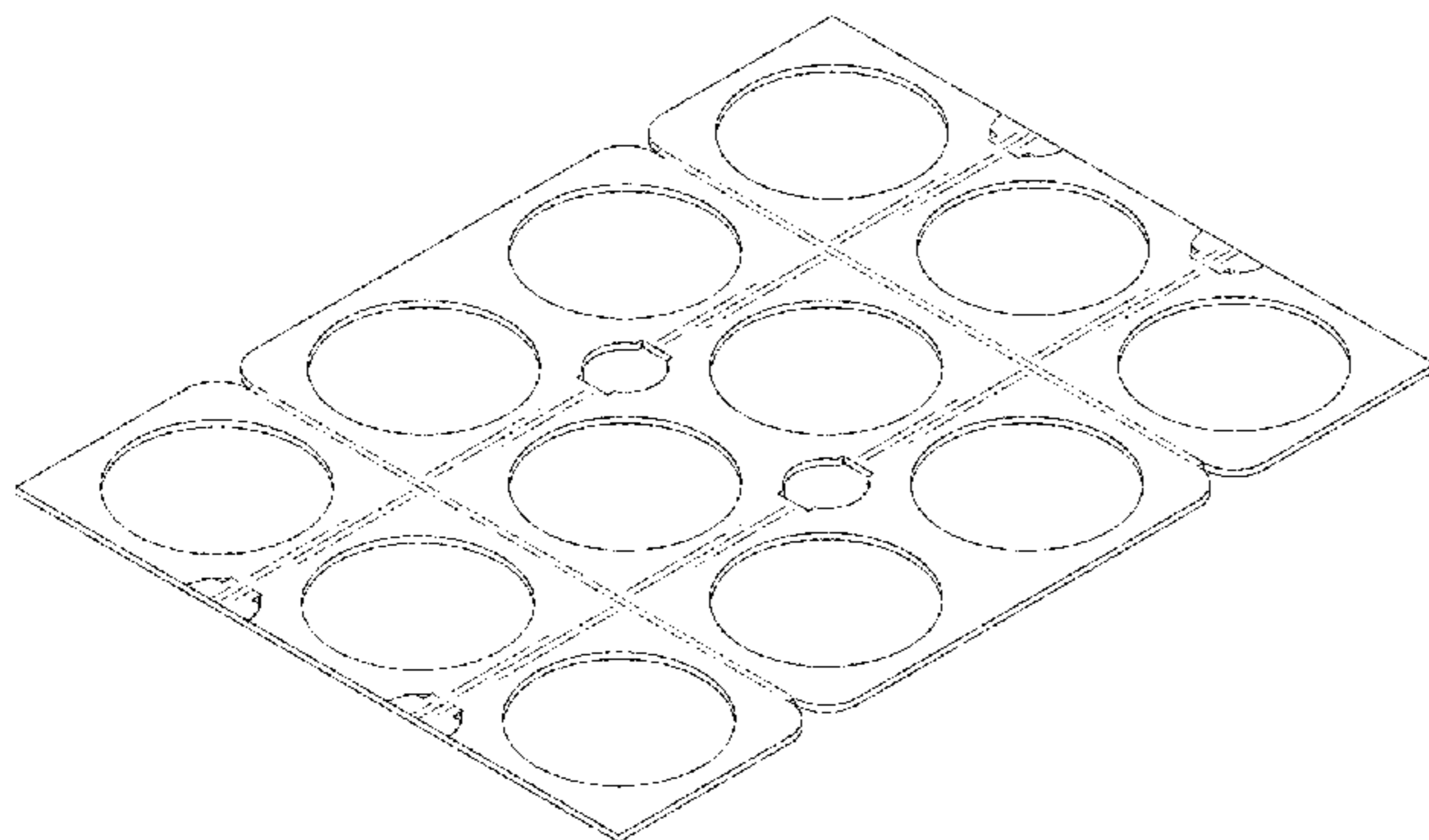
Primary Examiner — W. A. Teddy Falloway
(74) *Attorney, Agent, or Firm* — CKC & Partners Co., LLC

(57) **CLAIM**
The ornamental design for a can holder, as shown and described.

DESCRIPTION

FIG. 1 is a perspective view of a can holder showing my new design;
FIG. 2 is a front elevational view thereof;
FIG. 3 is a rear elevational view thereof;
FIG. 4 is a left side elevational view thereof;
FIG. 5 is a right side elevational view thereof;
FIG. 6 is a top plan view thereof;
FIG. 7 is a bottom plan view thereof; and,
FIG. 8 is a reference view that shows the can holder in use. The one-dashed phantom lines in FIGS. 1, 2, 3, and 8 illustrate fold lines and do form part of the claimed design. The dashed broken lines showing of beer cans in FIG. 8 are for the purpose of illustrating environment and form no part of the claimed design.

1 Claim, 8 Drawing Sheets



(56)

References Cited

U.S. PATENT DOCUMENTS

D854,424 S *	7/2019	Lauria	D21J 3/02 D9/752	2007/0163908 A1 *	7/2007	Sutherland	B65D 71/46 206/434
11,014,727 B2 *	5/2021	McCree	B31B 50/624	2018/0362234 A1 *	12/2018	L'Heureux	B65B 61/16
D923,414 S *	6/2021	Luciano	D7/553.4	2020/0079564 A1 *	3/2020	Ford	B65B 17/025
D923,415 S *	6/2021	Luciano	D7/553.4	2020/0189817 A1 *	6/2020	Smalley	B65D 71/38
D923,416 S *	6/2021	Luciano	D7/553.4	2020/0189818 A1 *	6/2020	McCree	B65D 75/04
11,027,905 B2 *	6/2021	Ford	B65B 17/025	2020/0189821 A1 *	6/2020	Smalley	B65D 71/48
D937,100 S *	11/2021	Das	D9/752	2020/0189822 A1 *	6/2020	Smalley	B65D 71/48
11,180,301 B2 *	11/2021	Smalley	B65D 71/42	2021/0061502 A1 *	3/2021	Johnston	B65D 71/42
D943,427 S *	2/2022	García Cendejas	D9/752	2021/0094742 A1 *	4/2021	Gonzalez Manzano	B65D 71/42
11,261,013 B2 *	3/2022	Smalley	B65B 17/025				
11,286,094 B2 *	3/2022	Gonzalez Manzano	B65D 71/0085	2021/0316921 A1 *	10/2021	Holtz	B65D 71/44
			B65D 71/44	2021/0331847 A1 *	10/2021	Gonzalez Manzano	B65D 71/42
2004/0211695 A1 *	10/2004	Karlsson	206/139				
			B65D 71/46	2021/0331848 A1 *	10/2021	Gonzalez Manzano	B65D 71/42
2007/0080084 A1 *	4/2007	Sutherland	206/434				
				2021/0339928 A1 *	11/2021	Blin	B65D 71/42
				2022/0009685 A1 *	1/2022	Thompson	B65D 75/04
				2022/0097941 A1 *	3/2022	McCree	B31B 50/262

* cited by examiner

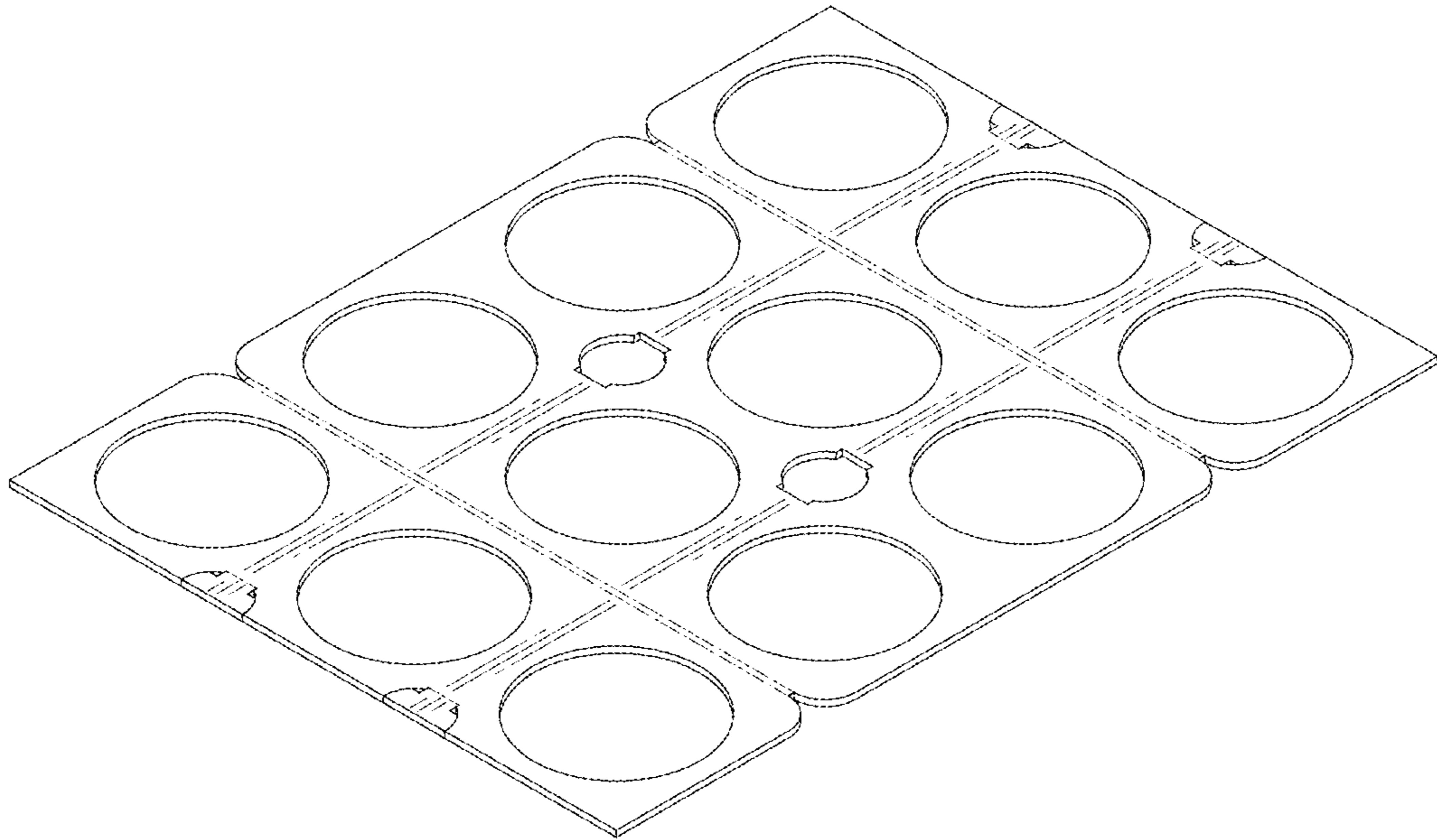


Fig. 1

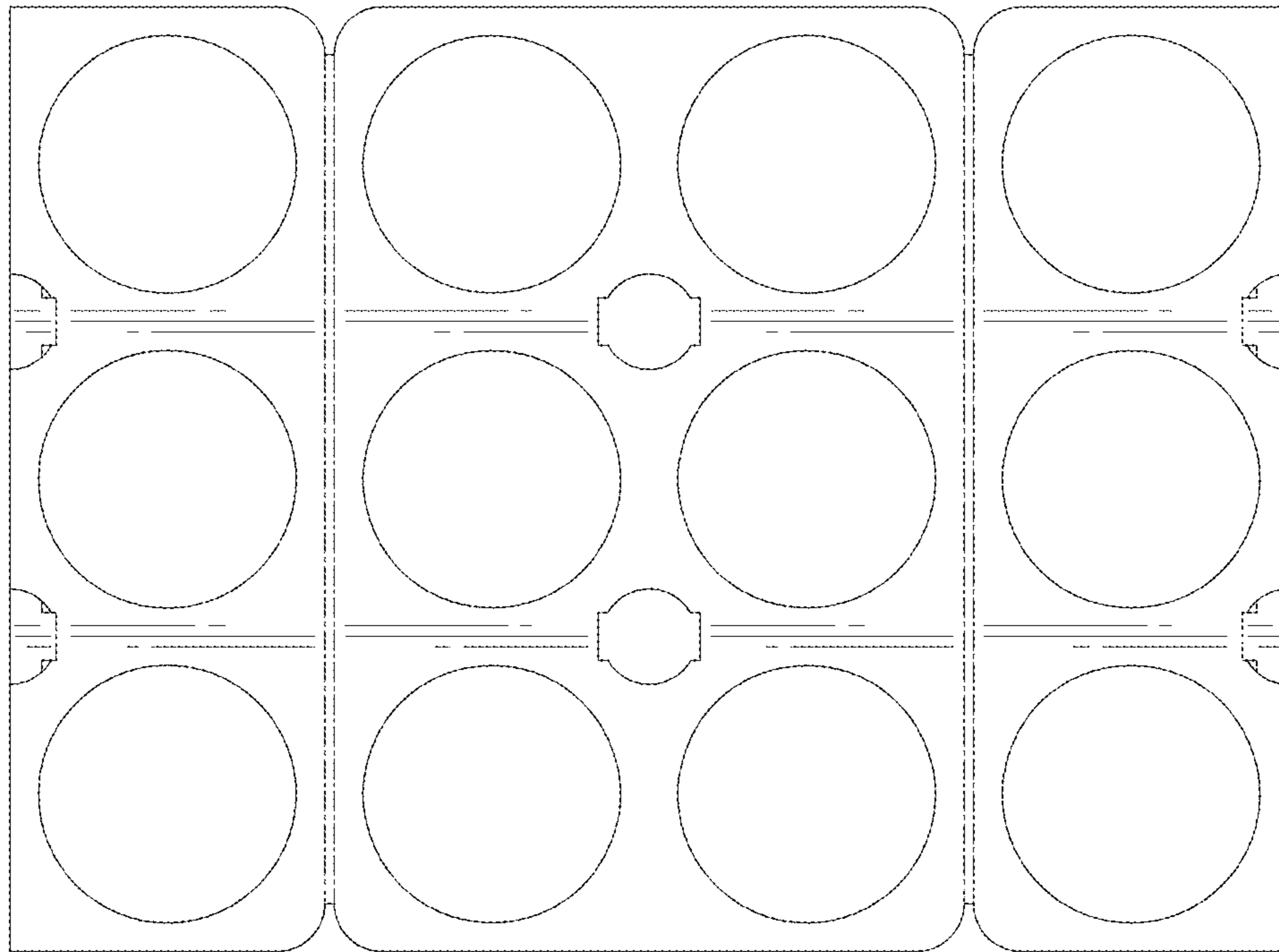


Fig. 2

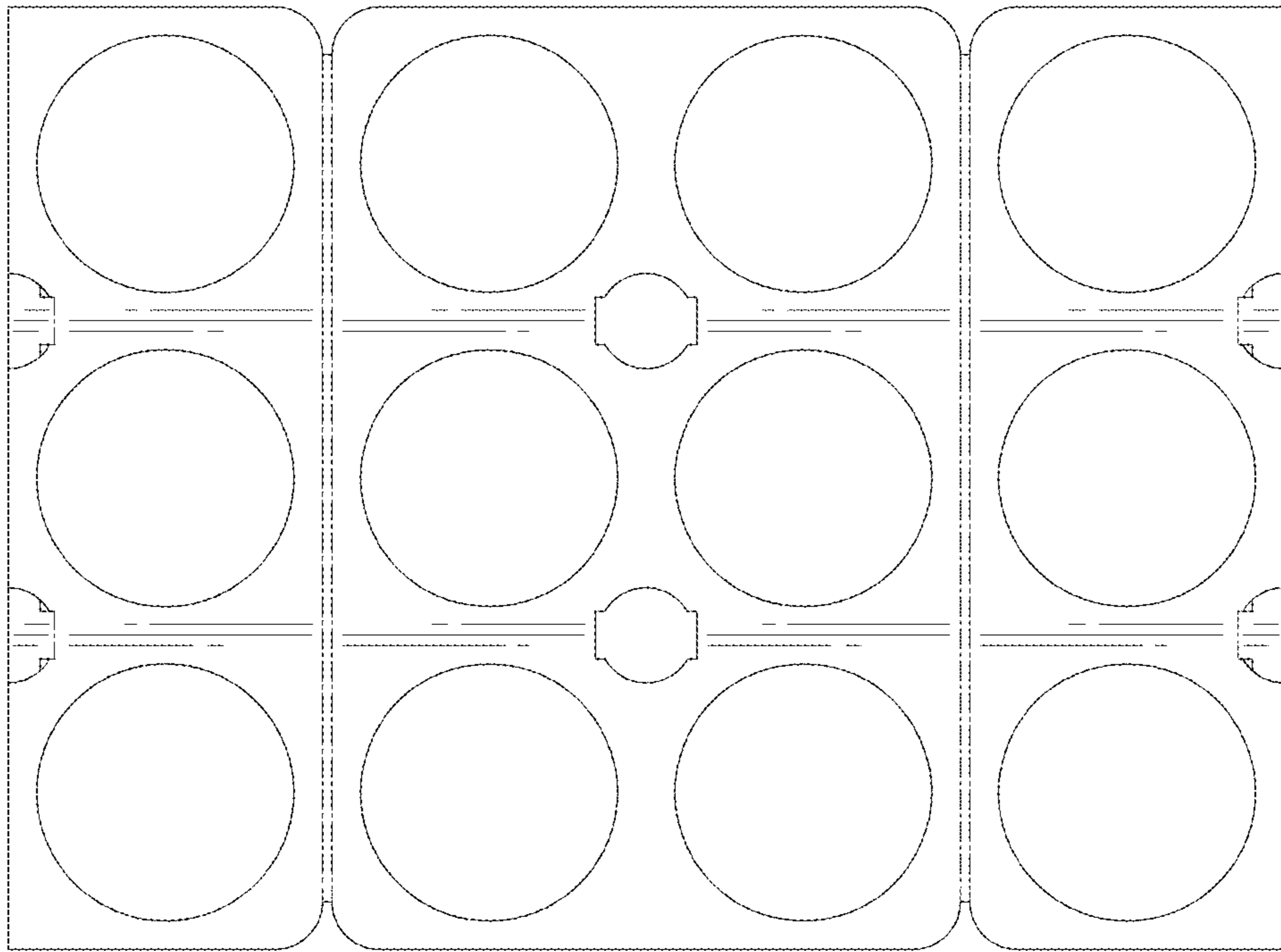


Fig. 3

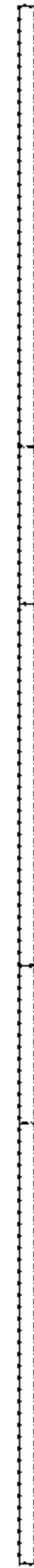


Fig. 4

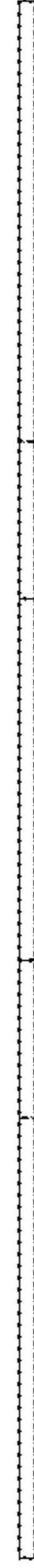


Fig. 5

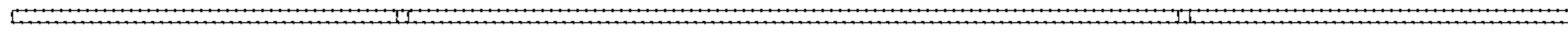


Fig. 6

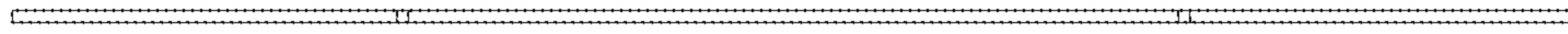


Fig. 7

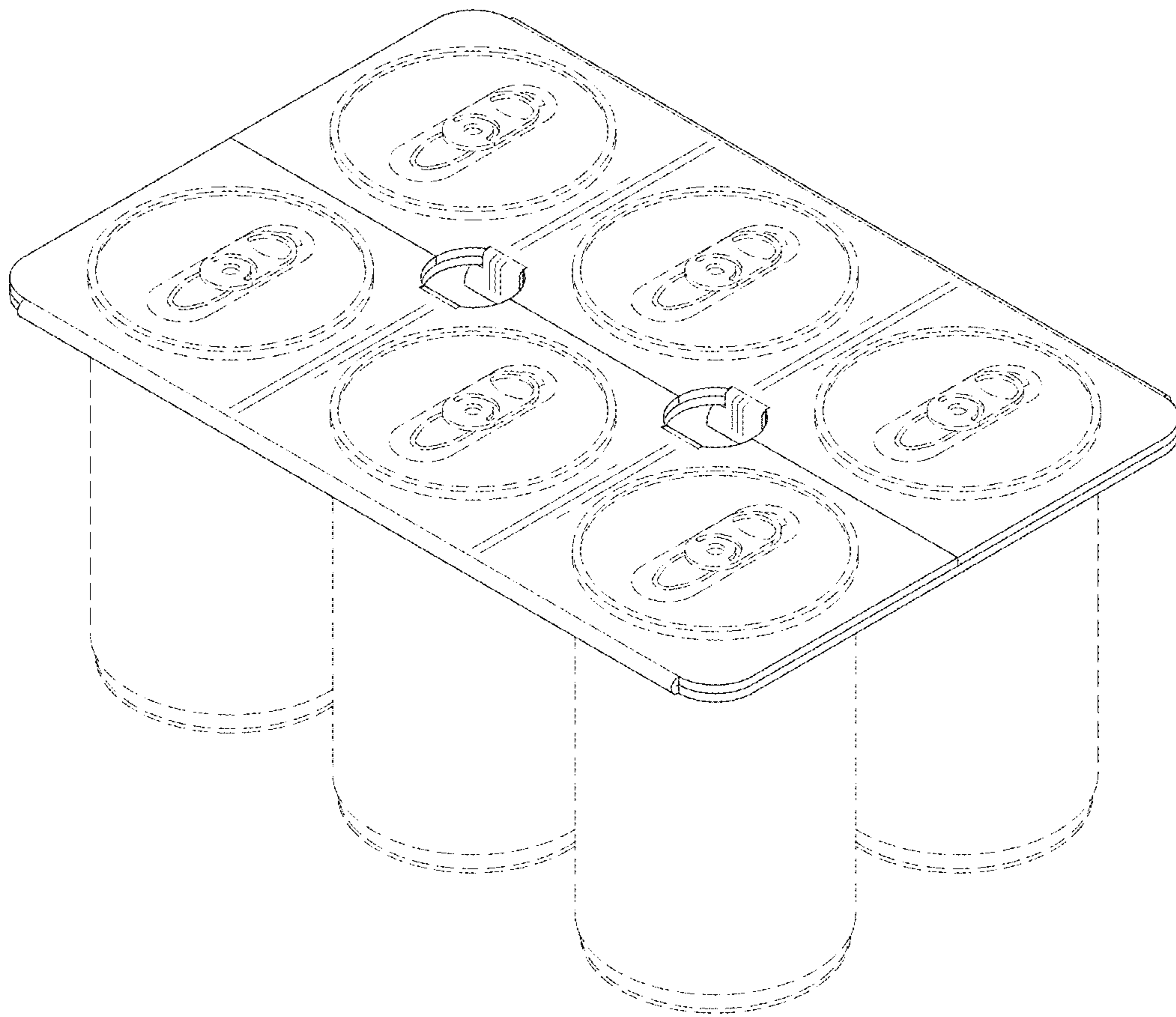


Fig. 8