



US00D962788S

(12) **United States Design Patent**  
**Yeo**

(10) **Patent No.:** **US D962,788 S**  
(45) **Date of Patent:** **\*\* Sep. 6, 2022**

- (54) **REFILLABLE CRÈME JAR**
- (71) Applicant: **Myung Kwon Yeo**, Bucheon (KR)
- (72) Inventor: **Myung Kwon Yeo**, Bucheon (KR)
- (\*\*) Term: **15 Years**
- (21) Appl. No.: **29/697,596**
- (22) Filed: **Jul. 10, 2019**
- (30) **Foreign Application Priority Data**  
  - Jun. 13, 2019 (KR) ..... 30-2019-0028077
- (51) **LOC (13) Cl.** ..... **09-01**
- (52) **U.S. Cl.**  
  - USPC ..... **D9/744; D28/76**
- (58) **Field of Classification Search**  
  - USPC ..... D9/738, 741, 743, 756, 549, 456;  
D7/541, 546, 549, 553.1, 553.6, 553.7,  
D7/555, 701, 703; D28/76-84
  - CPC ..... A45D 40/0068; A45D 33/003; A45D  
33/006; A45D 40/24; A45D 40/22; A45D  
33/00; B65D 2543/00092

See application file for complete search history.

- (56) **References Cited**  
  - U.S. PATENT DOCUMENTS**
  - D24,337 S \* 5/1895 Gilchrist ..... D9/439
  - 2,204,784 A \* 6/1940 Abrams ..... B65D 81/32  
D28/91
  - 6,009,885 A \* 1/2000 Nam ..... A45D 33/006  
132/305
  - D424,749 S \* 5/2000 Zalzal ..... D28/76
  - D424,750 S \* 5/2000 Zalzal ..... D28/76
  - 6,422,424 B1 \* 7/2002 Sheffler ..... B65D 81/3283  
222/386
  - D493,721 S \* 8/2004 Puigbo ..... D9/504
  - D555,835 S \* 11/2007 Song ..... D28/91
  - D746,627 S \* 1/2016 Puigbo ..... D9/503

- D756,790 S \* 5/2016 Henriksson ..... D9/504
- D852,647 S \* 7/2019 Burditt ..... D9/504
- D867,155 S \* 11/2019 Oishi ..... D9/560
- D891,928 S \* 8/2020 Yeo ..... D9/504
- 10,737,841 B1 \* 8/2020 Duong ..... B65D 25/54
- 10,881,185 B2 \* 1/2021 Denece ..... A45D 40/222
- D923,875 S \* 6/2021 Cha ..... D28/76
- D927,979 S \* 8/2021 Jiang ..... D9/504
- 11,083,273 B2 \* 8/2021 Caulier ..... A45D 33/003
- D943,824 S \* 2/2022 Murphy ..... D28/7
- 11,344,090 B2 \* 5/2022 Hamze ..... A45D 33/008
- 2004/0069677 A1 \* 4/2004 Baudin ..... B65D 51/18  
206/823
- 2008/0178903 A1 \* 7/2008 Thorpe ..... A45D 33/16  
132/307
- 2009/0188518 A1 \* 7/2009 Thorpe ..... A45D 33/16  
132/307
- 2012/0085788 A1 \* 4/2012 Lu ..... A45D 34/04  
222/405
- 2015/0021331 A1 \* 1/2015 Hennemann ..... B65D 83/0055  
220/495.05

(Continued)

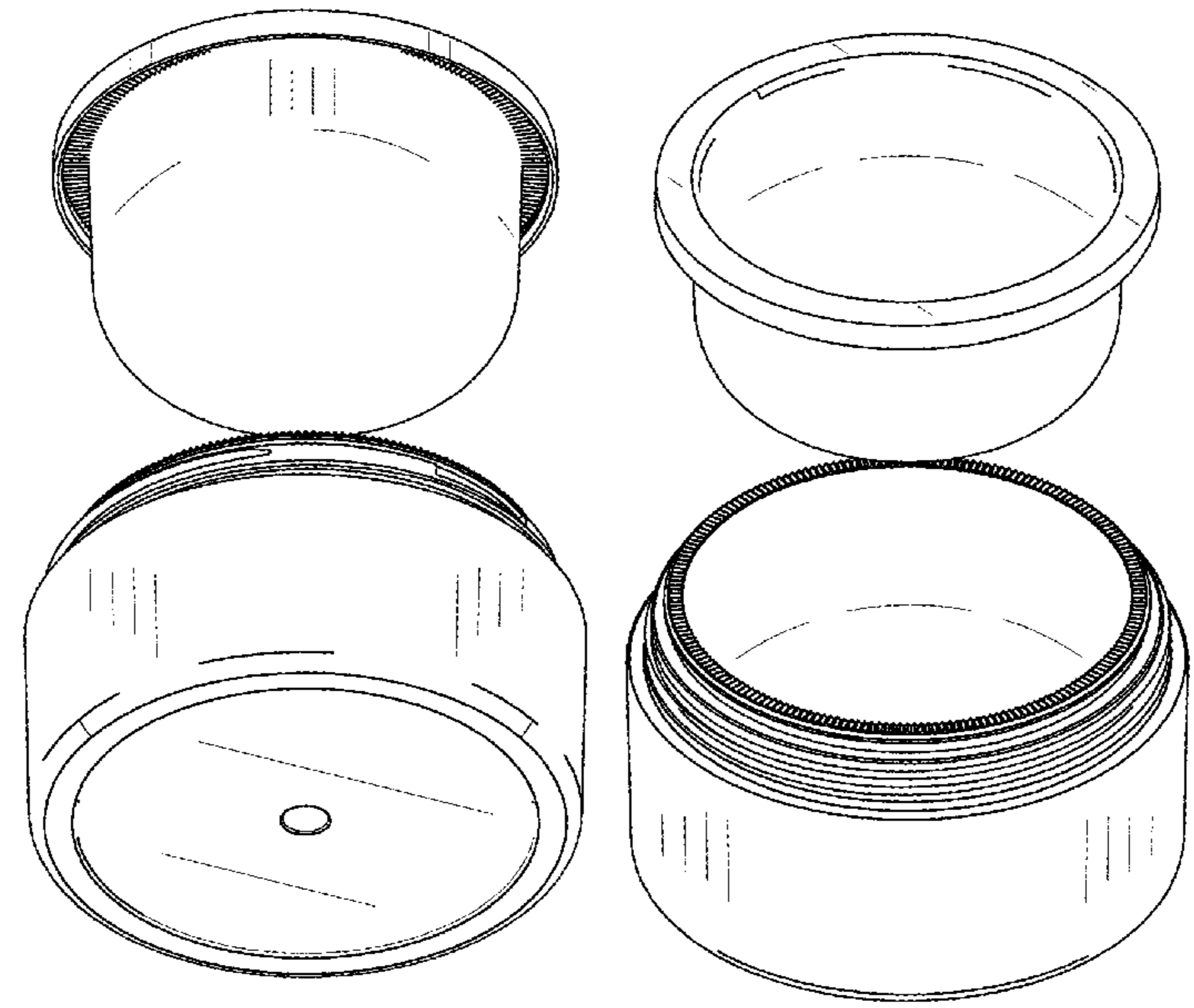
*Primary Examiner* — W. A. Teddy Falloway

(57) **CLAIM**  
The ornamental design for a refillable crème jar, as shown and described.

**DESCRIPTION**

FIG. 1 Is a front elevation of a refillable crème jar showing my new design;  
FIG. 2 Is a top plan view thereof;  
FIG. 3 Is a bottom plan view thereof;  
FIG. 4 Is a left hand side elevation thereof;  
FIG. 5 Is a right hand side elevation thereof;  
FIG. 6 Is a top front perspective view of FIG. 1;  
FIG. 7 Is a bottom front perspective view of FIG. 1;  
FIG. 8 Is an exploded view of FIG. 1;  
FIG. 9 Is an exploded bottom view of FIG. 1; and,  
FIG. 10 Is an exploded top view of FIG. 1.

**1 Claim, 4 Drawing Sheets**



(56)

## References Cited

## U.S. PATENT DOCUMENTS

2015/0122697 A1\* 5/2015 Shen ..... B65D 51/26  
206/581  
2016/0270510 A1\* 9/2016 Kang ..... A45D 40/22  
2016/0280426 A1\* 9/2016 Kim ..... A45D 40/0068  
2017/0006996 A1\* 1/2017 Kim ..... A45D 33/025  
2017/0065054 A1\* 3/2017 Hori ..... A45D 34/00  
2017/0079408 A1\* 3/2017 Lee ..... A61K 8/97  
2017/0238675 A1\* 8/2017 Jung ..... B05B 11/00416  
2018/0016055 A1\* 1/2018 Tobey ..... B65D 51/18  
2018/0125198 A1\* 5/2018 Burditt ..... A45D 40/24  
2018/0192762 A1\* 7/2018 Kang ..... B05B 11/3015  
2018/0271251 A1\* 9/2018 Yeo ..... A45D 33/025  
2019/0174898 A1\* 6/2019 Lu ..... B65D 85/00  
2019/0281948 A1\* 9/2019 Eng ..... A45D 33/06  
2019/0281949 A1\* 9/2019 Eng ..... B65D 53/02  
2020/0029672 A1\* 1/2020 Wilson ..... A45D 33/16  
2020/0085721 A1\* 3/2020 Nishida ..... A61K 8/891  
2020/0337435 A1\* 10/2020 Hori ..... A45D 40/26  
2021/0031157 A1\* 2/2021 Walters ..... B01F 27/96  
2021/0059383 A1\* 3/2021 Cho ..... B30B 11/04  
2021/0093069 A1\* 4/2021 Jesberg ..... B65D 43/0225  
2021/0330055 A1\* 10/2021 Lee ..... A45D 42/04  
2021/0368960 A1\* 12/2021 Hwang ..... A45D 40/0068  
2021/0368964 A1\* 12/2021 Bickford ..... A45D 40/0068  
2021/0368966 A1\* 12/2021 Bickford ..... A45D 40/0068  
2021/0378382 A1\* 12/2021 Lee ..... A45D 33/26  
2022/0095767 A1\* 3/2022 Lee ..... A45D 33/04  
2022/0144498 A1\* 5/2022 Otsuka ..... A45D 40/0068

\* cited by examiner

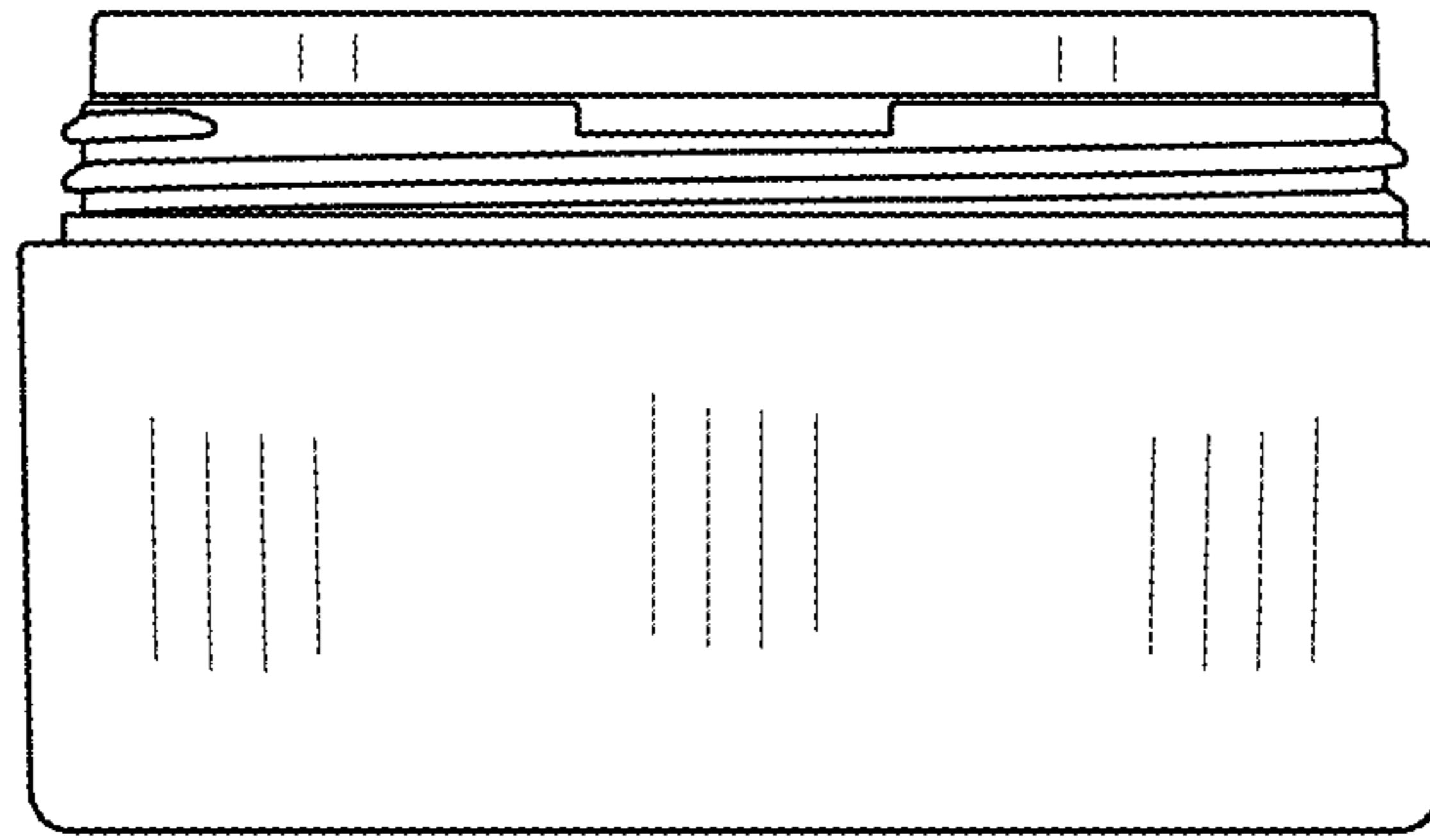


FIG.1

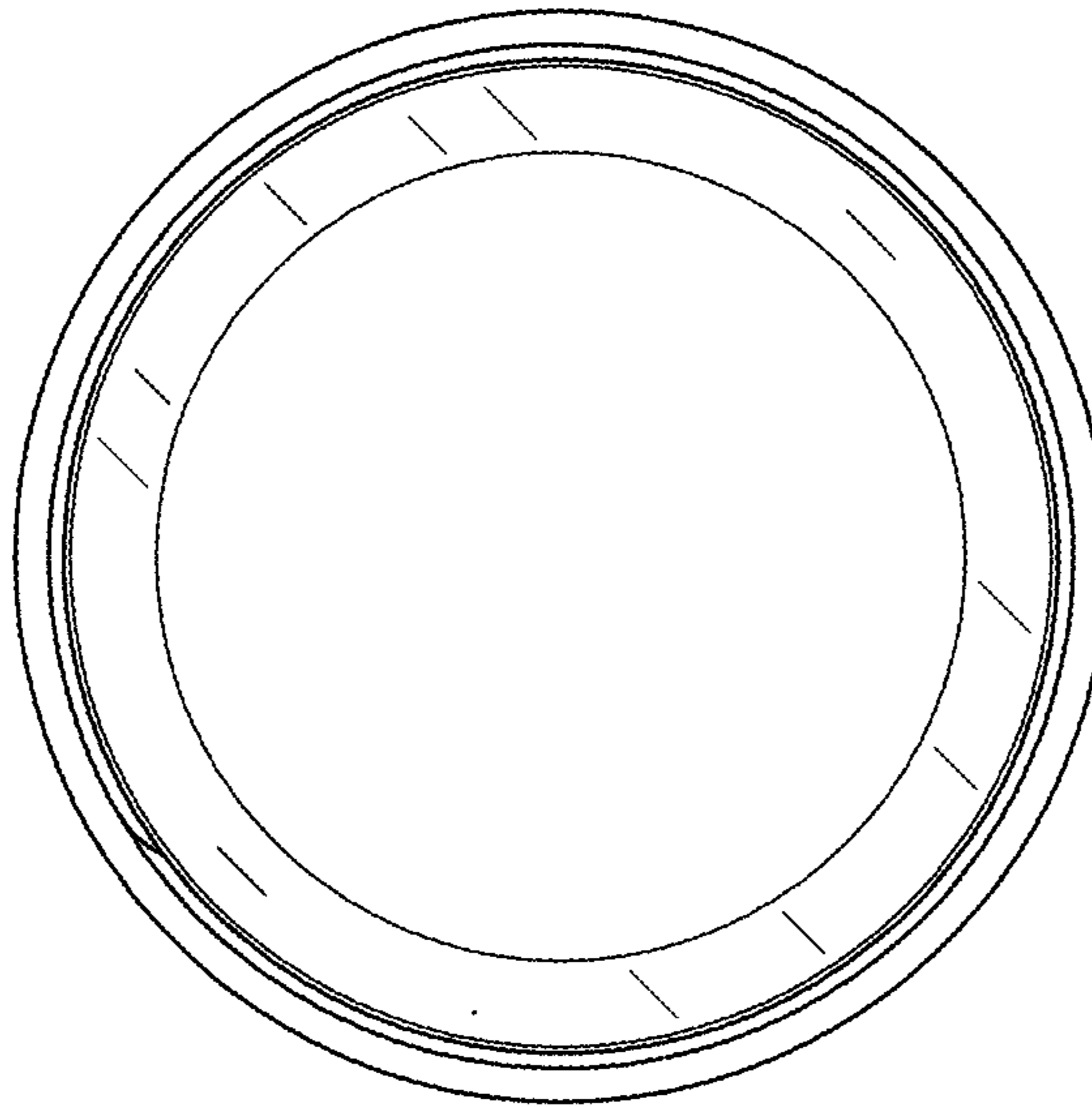


FIG.2

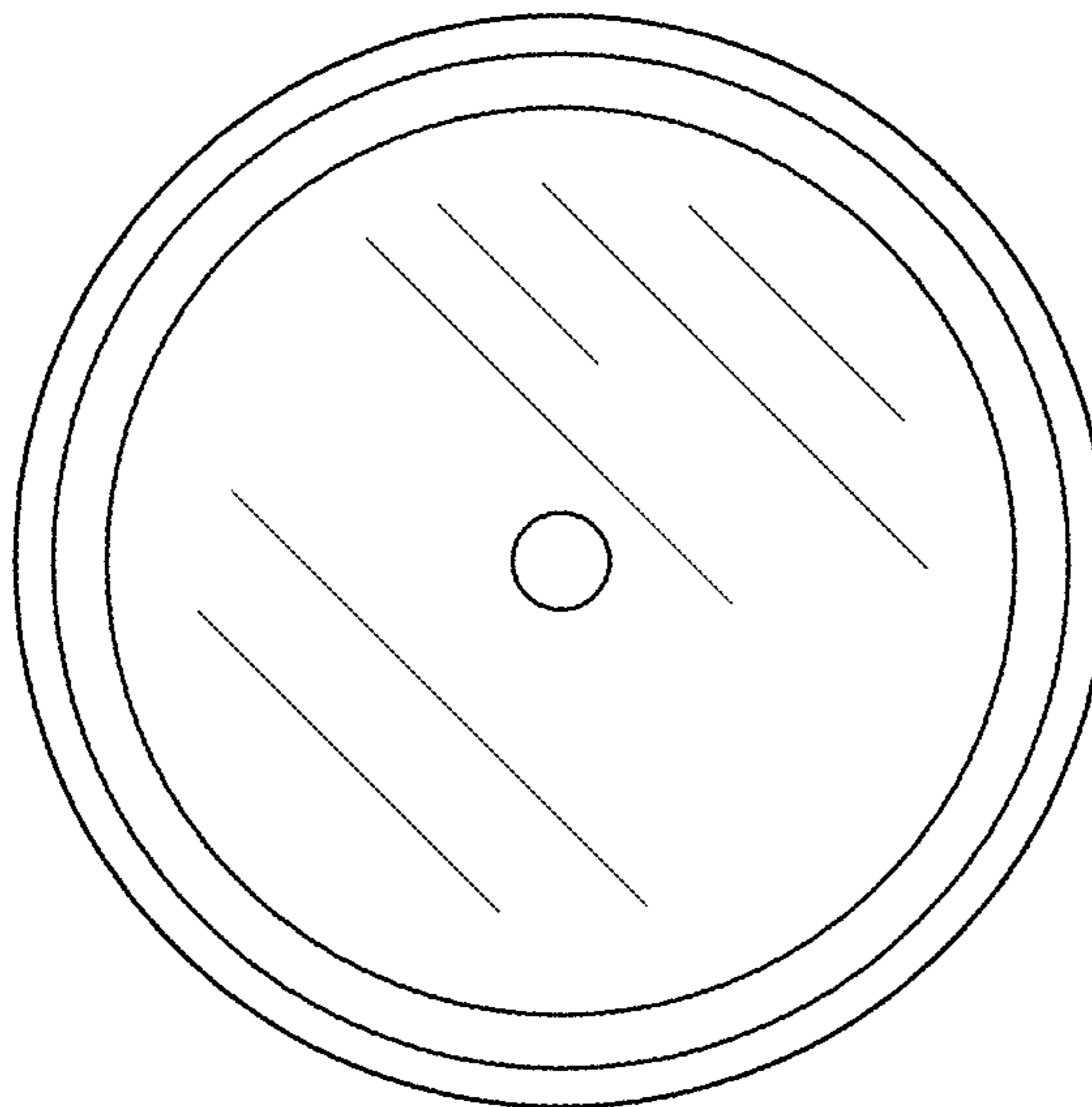


FIG.3

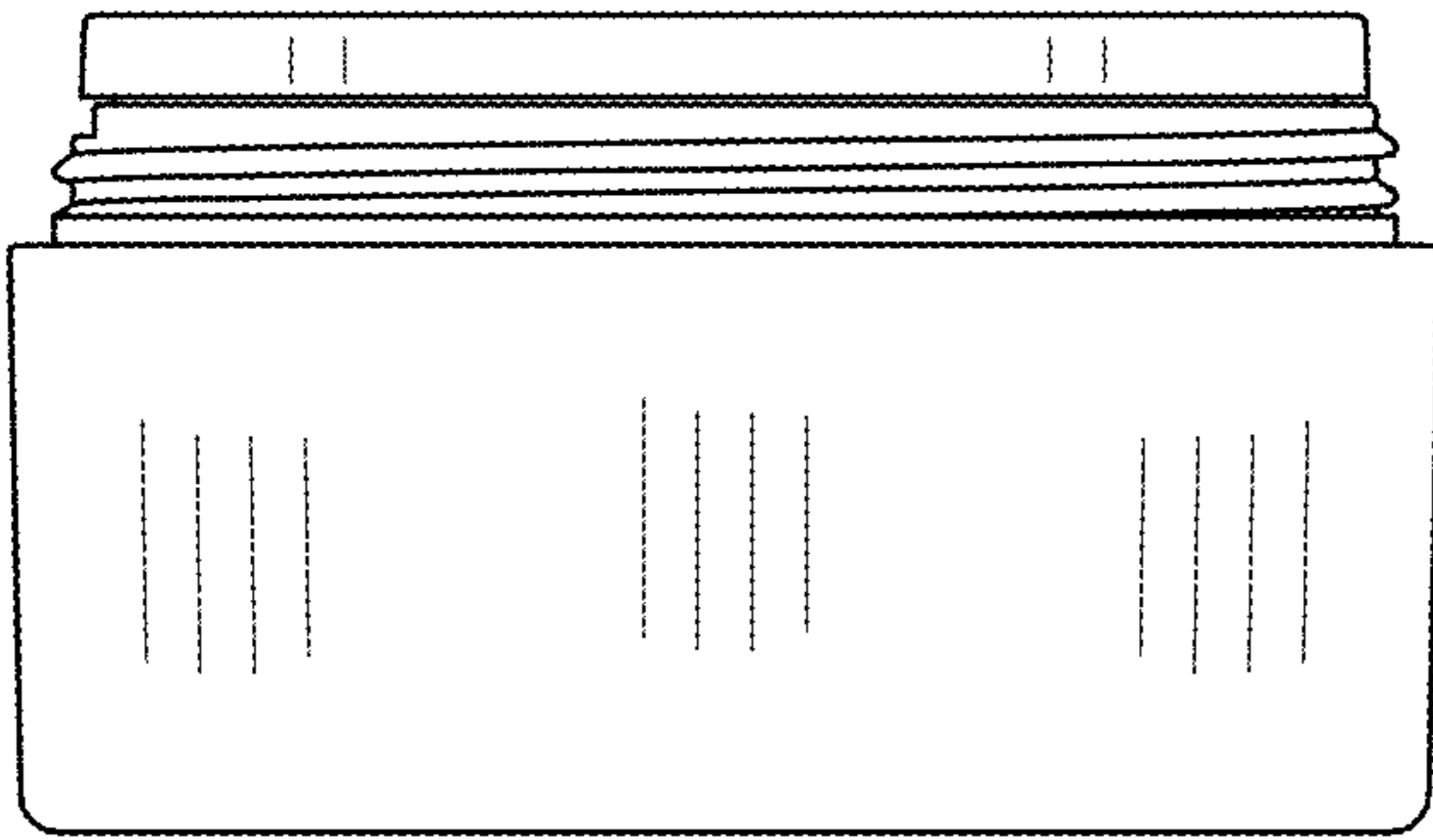


FIG.4

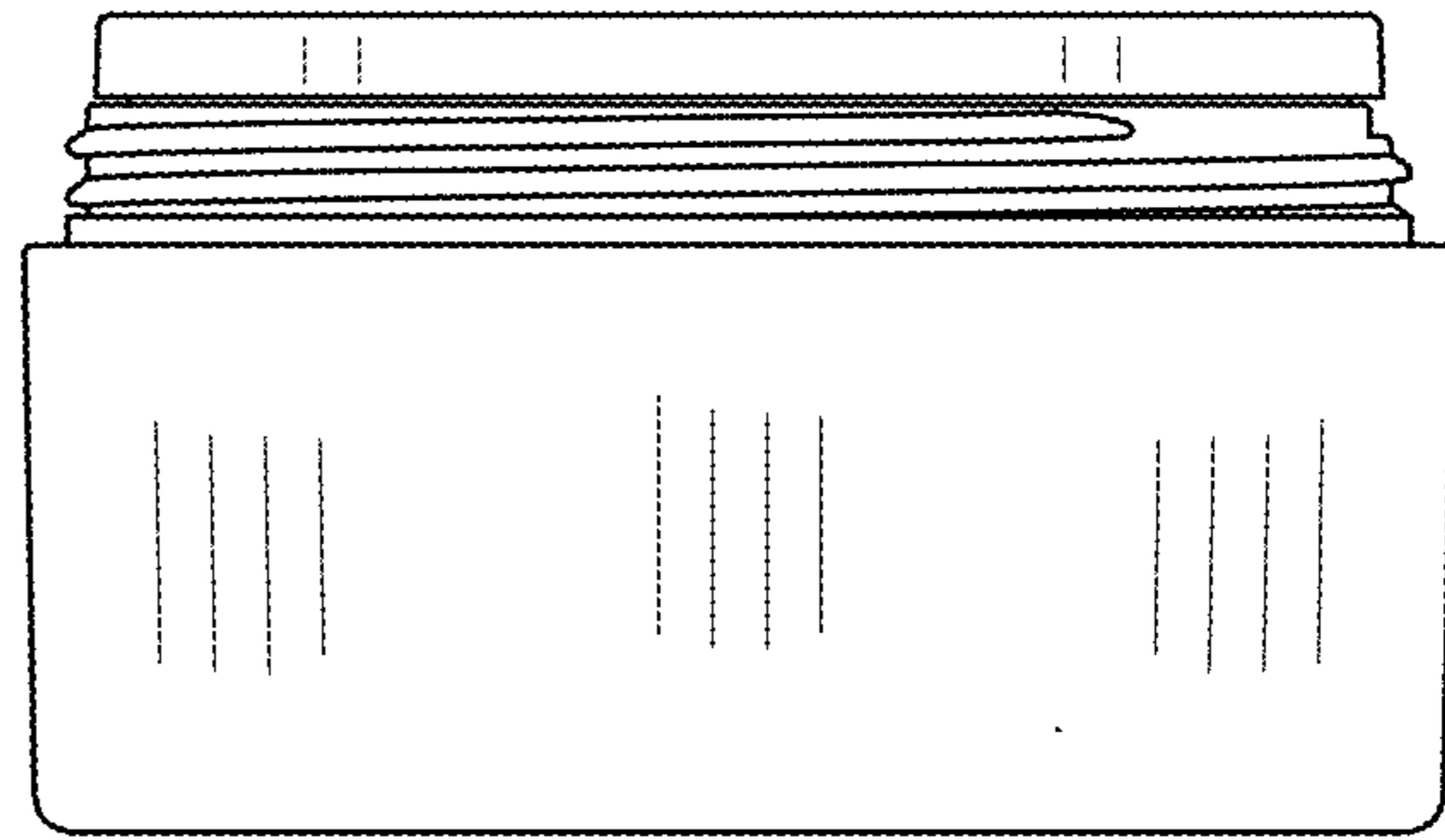


FIG.5

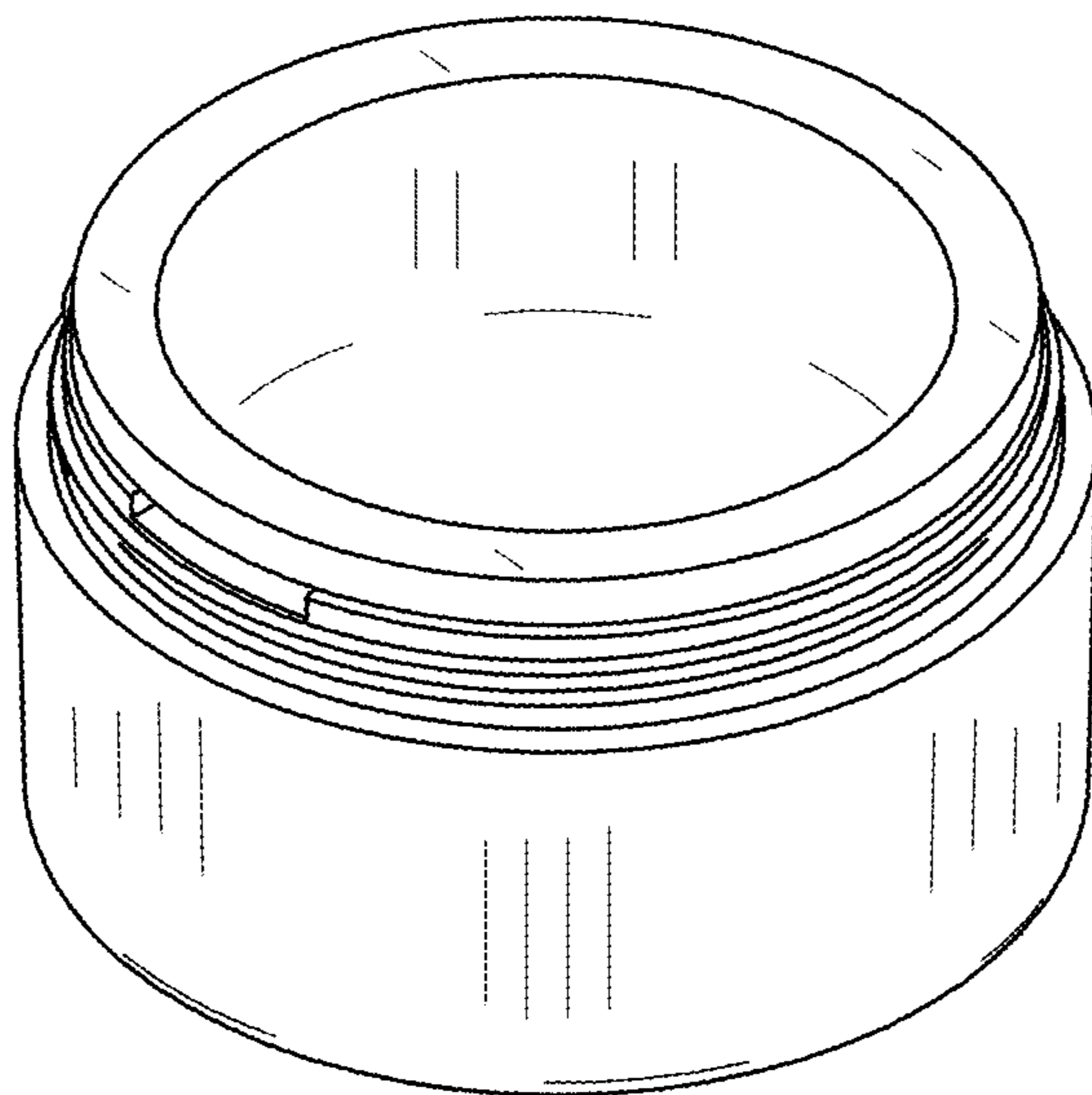


FIG.6

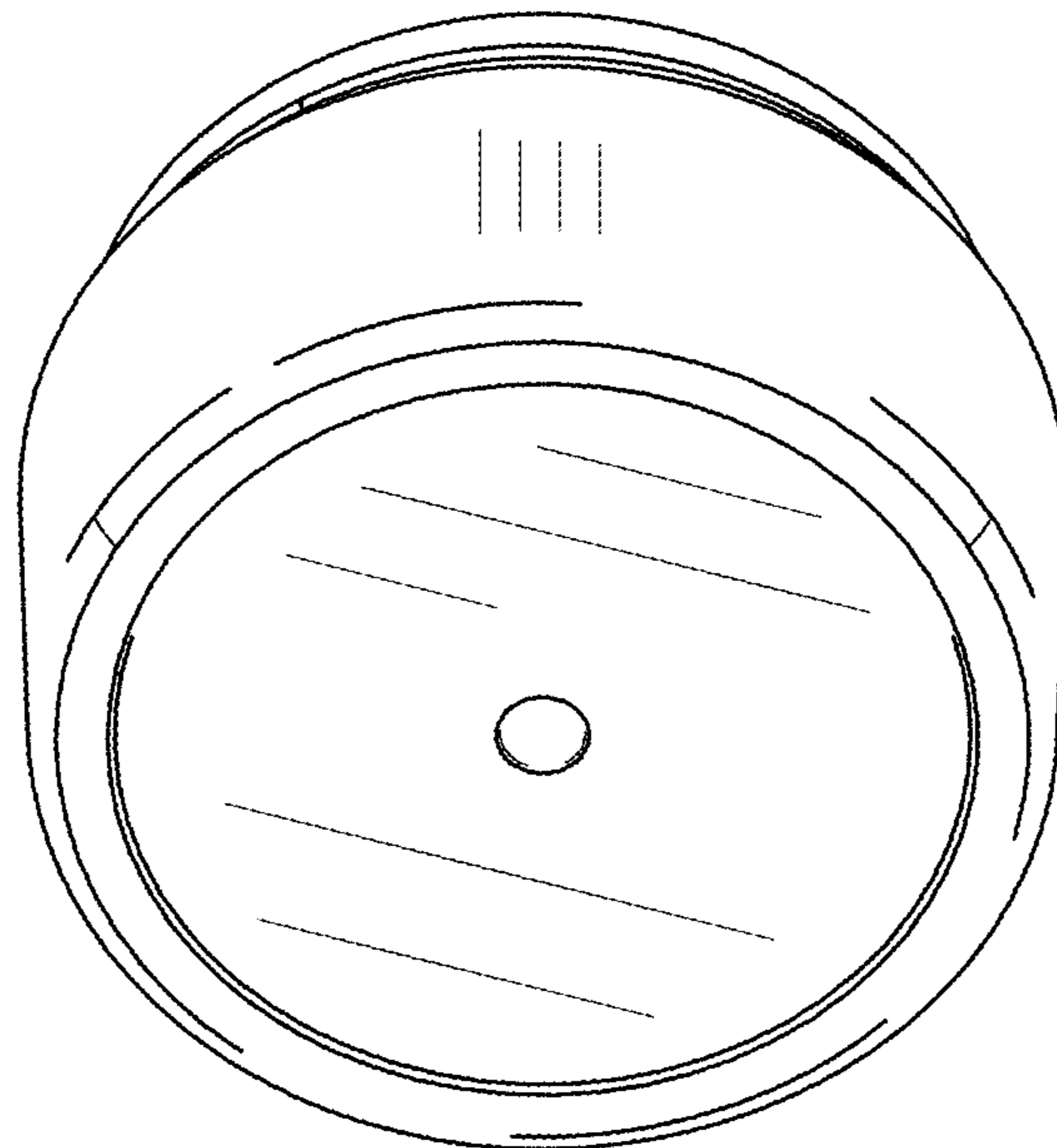


FIG.7

