

US00D962787S

(12) **United States Design Patent** (10) **Patent No.:** **US D962,787 S**
Yeo (45) **Date of Patent:** **** Sep. 6, 2022**

(54) **REFILLABLE CREME JAR**
 (71) Applicant: **Myung Kwon Yeo**, Bucheon (KR)
 (72) Inventor: **Myung Kwon Yeo**, Bucheon (KR)
 (**) Term: **15 Years**
 (21) Appl. No.: **29/693,121**
 (22) Filed: **May 31, 2019**
 (51) **LOC (13) Cl.** **09-01**
 (52) **U.S. Cl.**
 USPC **D9/744**; D28/76
 (58) **Field of Classification Search**
 USPC D9/738, 741, 743, 756, 549, 456;
 D7/541, 546, 549, 553.1, 553.6, 553.7,
 D7/555, 701, 703; D28/76–84
 CPC A45D 40/0068; A45D 33/003; A45D
 33/006; A45D 40/24; A45D 40/22; A45D
 33/00; B65D 2543/00092
 See application file for complete search history.

10,737,841 B1 * 8/2020 Duong B65D 25/54
 10,881,185 B2 * 1/2021 Denece A45D 40/222
 D923,875 S * 6/2021 Cha D28/76
 D927,979 S * 8/2021 Jiang D9/504
 11,083,273 B2 * 8/2021 Caulier A45D 33/003
 D943,824 S * 2/2022 Murphy D28/7
 11,344,090 B2 * 5/2022 Hamze A45D 33/008
 2004/0069677 A1 * 4/2004 Baudin B65D 51/18
 206/823
 2008/0178903 A1 * 7/2008 Thorpe A45D 33/16
 132/307
 2009/0188518 A1 * 7/2009 Thorpe A45D 33/16
 132/307
 2012/0085788 A1 * 4/2012 Lu A45D 34/04
 222/405
 2015/0021331 A1 * 1/2015 Hennemann B65D 83/0055
 220/495.05
 2015/0122697 A1 * 5/2015 Shen B65D 51/26
 206/581
 2016/0270510 A1 * 9/2016 Kang A45D 40/22
 2016/0280426 A1 * 9/2016 Kim A45D 40/0068
 2017/0006996 A1 * 1/2017 Kim A45D 33/025
 2017/0065054 A1 * 3/2017 Hori A45D 34/00

(Continued)

Primary Examiner — W. A. Teddy Falloway

(56) **References Cited**

U.S. PATENT DOCUMENTS

D24,337 S * 5/1895 Gilchrist D9/439
 2,204,784 A * 6/1940 Abrams B65D 81/32
 D28/91
 6,009,885 A * 1/2000 Nam A45D 33/006
 132/305
 D424,749 S * 5/2000 Zalzal D28/76
 D424,750 S * 5/2000 Zalzal D28/76
 6,422,424 B1 * 7/2002 Sheffler B65D 81/3283
 222/386
 D493,721 S * 8/2004 Puigbo D9/504
 D555,835 S * 11/2007 Song D28/91
 D746,627 S * 1/2016 Puigbo D9/503
 D756,790 S * 5/2016 Henriksson D9/504
 D852,647 S * 7/2019 Burditt D9/504
 D867,155 S * 11/2019 Oishi D9/560
 D891,928 S * 8/2020 Yeo D9/504

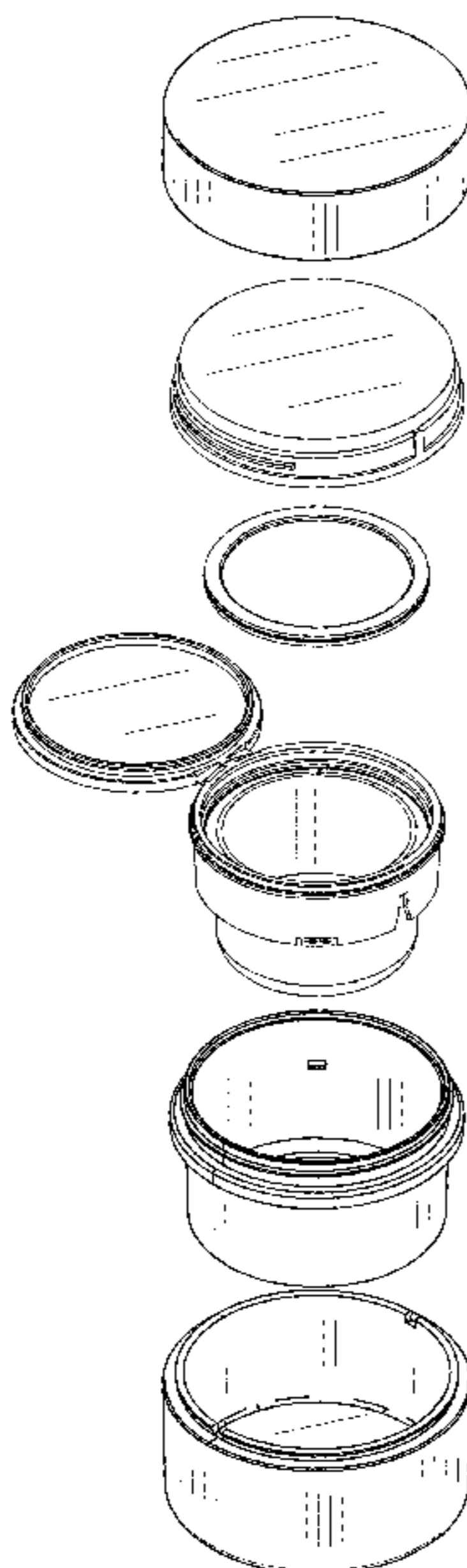
(57) **CLAIM**

The ornamental design for a refillable crème jar, as shown and described.

DESCRIPTION

FIG. 1 Is a front elevation view of refillable crème jar showing my new design;
 FIG. 2 Is a top plan view thereof;
 FIG. 3 Is a bottom plan view thereof;
 FIG. 4 Is a top front perspective view of FIG. 1;
 FIG. 5 Is a bottom front perspective view of FIG. 1;
 FIG. 6 Is an exploded view of FIG. 4; and,
 FIG. 7 is an exploded top front perspective view of FIG. 1 with refillable container cover in the open position.

1 Claim, 3 Drawing Sheets



(56)

References Cited

U.S. PATENT DOCUMENTS

2017/0079408 A1* 3/2017 Lee A61K 8/97
2017/0238675 A1* 8/2017 Jung B05B 11/00416
2018/0016055 A1* 1/2018 Tobey B65D 51/18
2018/0125198 A1* 5/2018 Burditt A45D 40/24
2018/0192762 A1* 7/2018 Kang B05B 11/3015
2018/0271251 A1* 9/2018 Yeo A45D 33/025
2019/0174898 A1* 6/2019 Lu B65D 85/00
2019/0281948 A1* 9/2019 Eng A45D 33/06
2019/0281949 A1* 9/2019 Eng B65D 53/02
2020/0029672 A1* 1/2020 Wilson A45D 33/16
2020/0085721 A1* 3/2020 Nishida A61K 8/891
2020/0337435 A1* 10/2020 Hori A45D 40/26
2021/0031157 A1* 2/2021 Walters B01F 27/96
2021/0059383 A1* 3/2021 Cho B30B 11/04
2021/0093069 A1* 4/2021 Jesberg B65D 43/0225
2021/0330055 A1* 10/2021 Lee A45D 42/04
2021/0368960 A1* 12/2021 Hwang A45D 40/0068
2021/0368964 A1* 12/2021 Bickford A45D 40/0068
2021/0368966 A1* 12/2021 Bickford A45D 40/0068
2021/0378382 A1* 12/2021 Lee A45D 33/26
2022/0095767 A1* 3/2022 Lee A45D 33/04
2022/0144498 A1* 5/2022 Otsuka A45D 40/0068

* cited by examiner

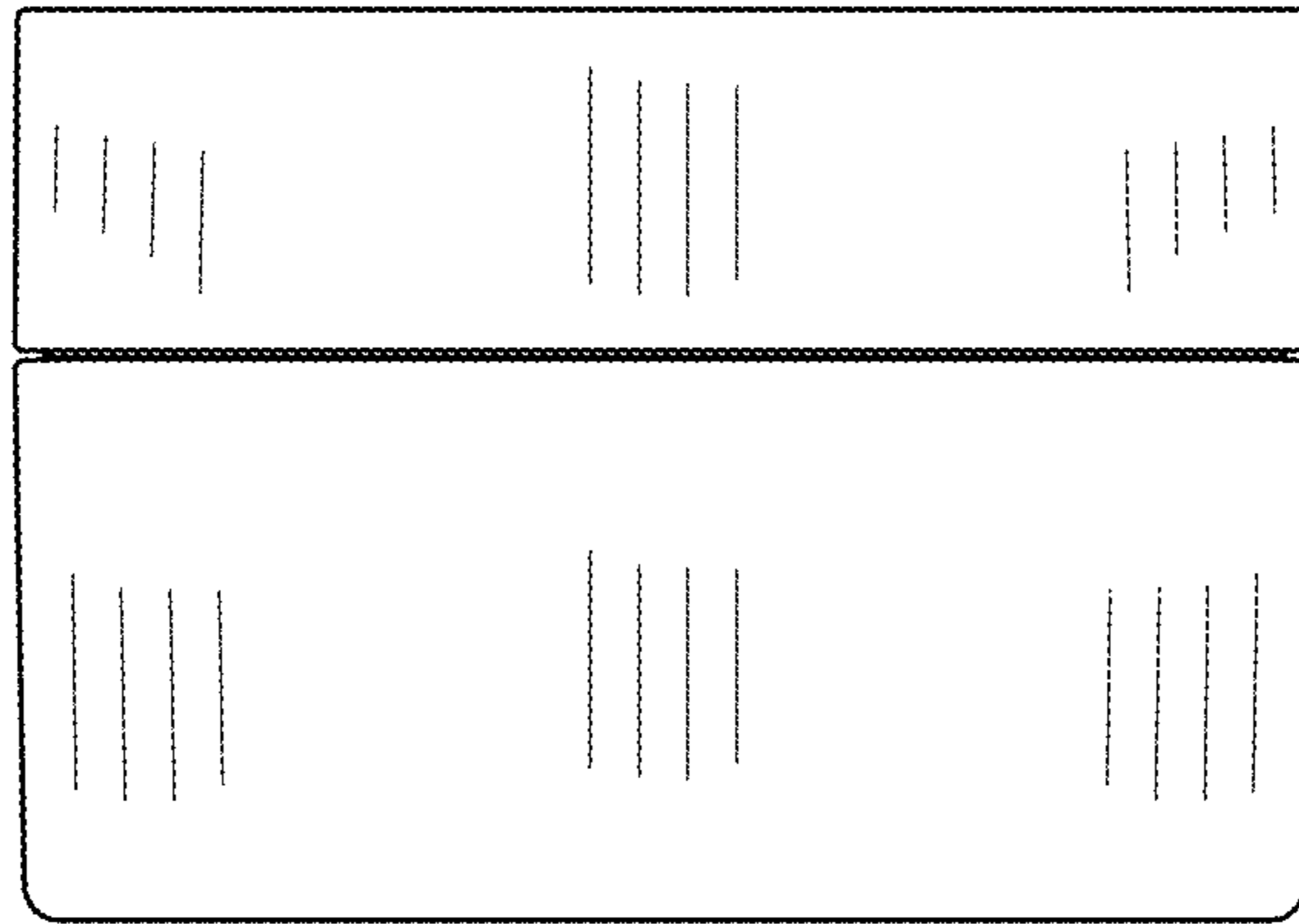


FIG.1

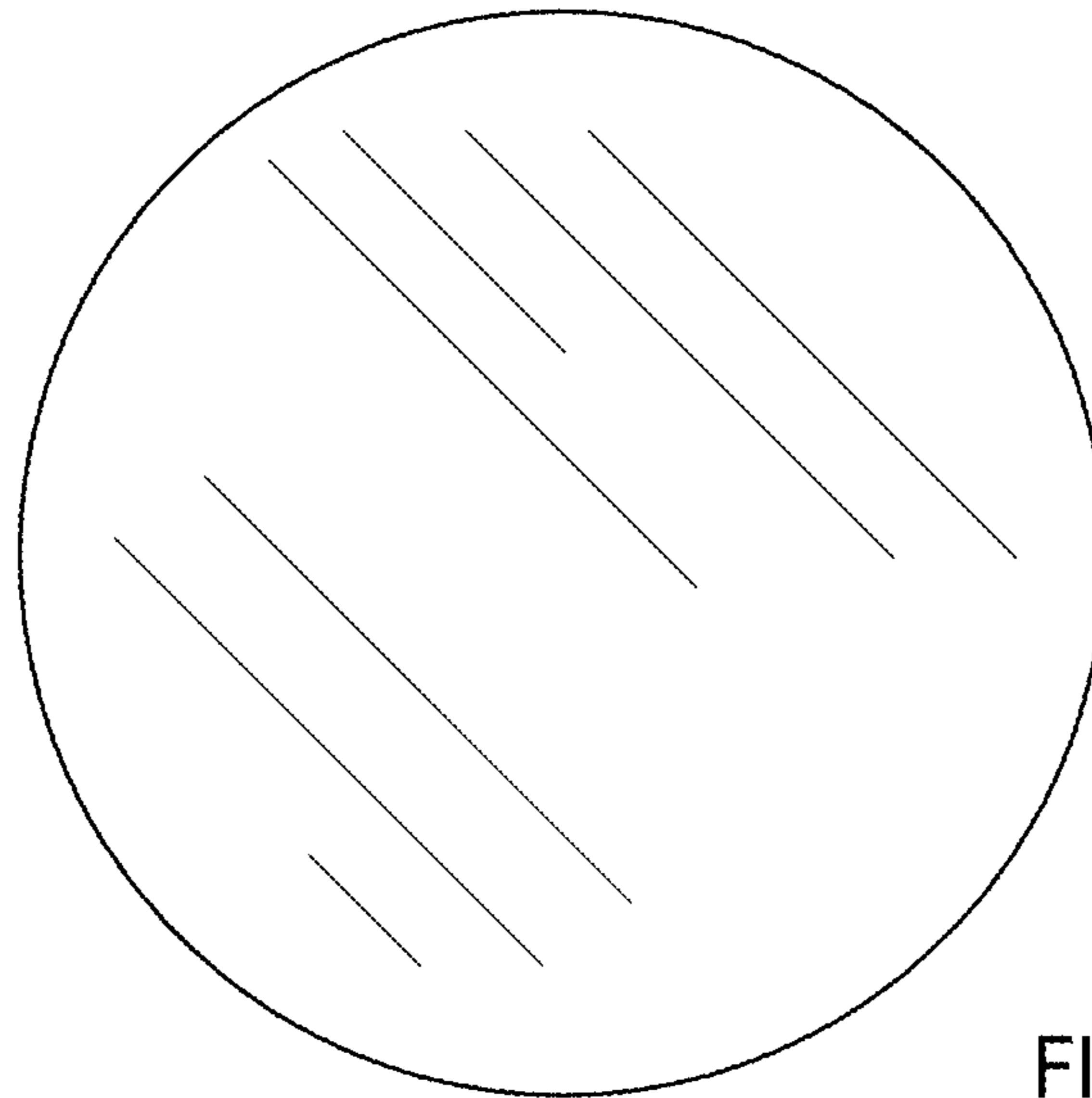


FIG.2

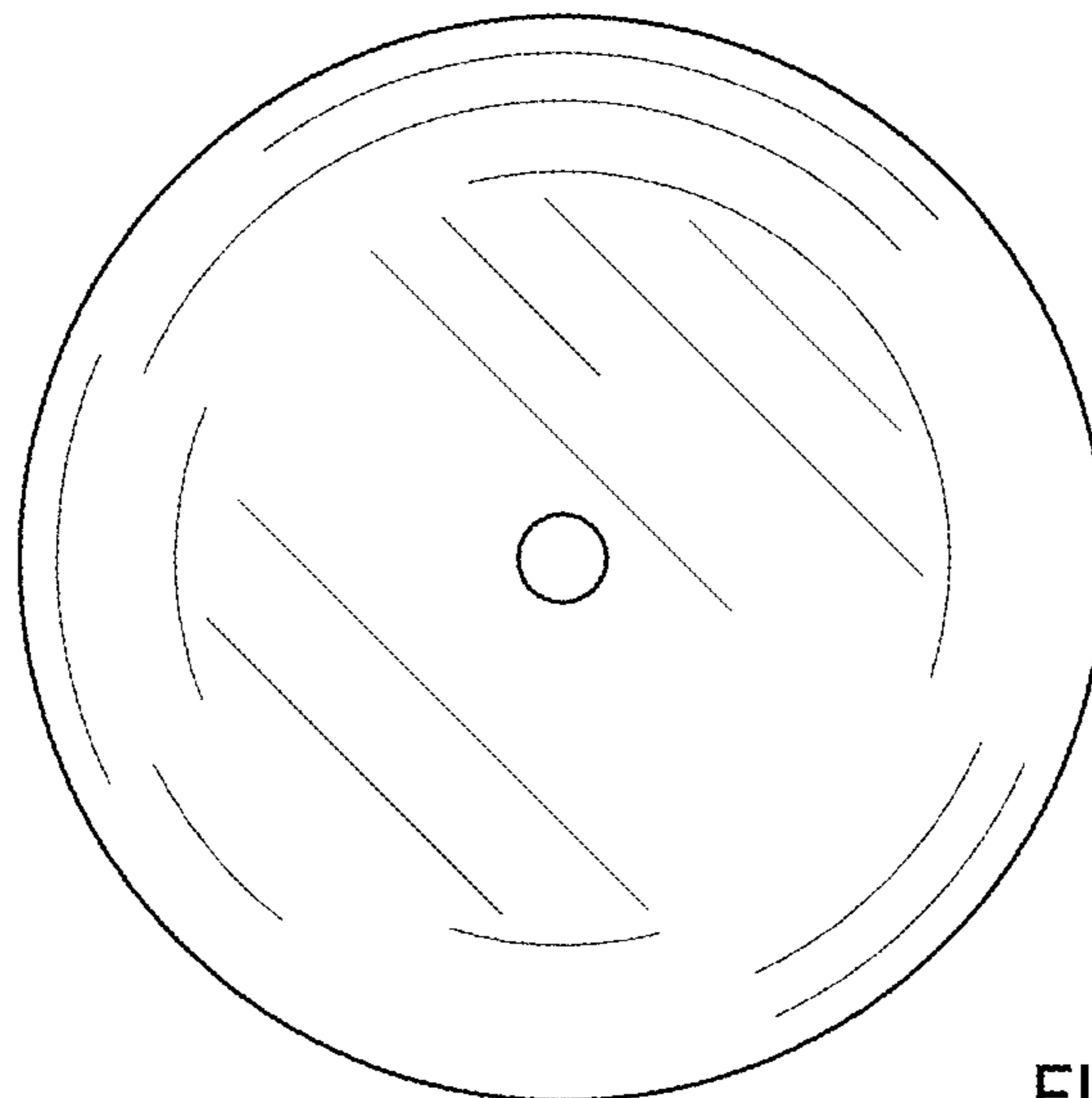


FIG.3

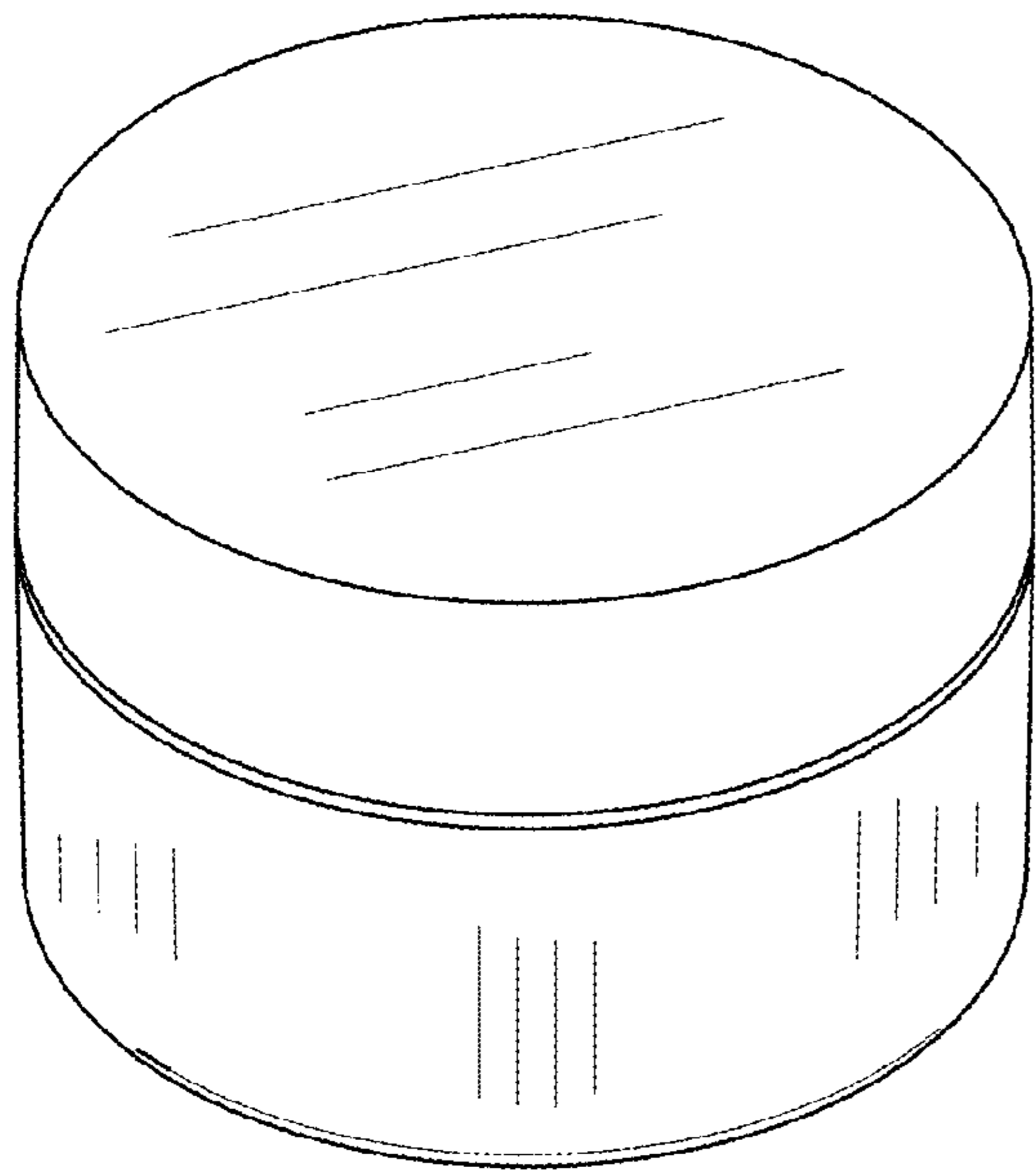


FIG.4

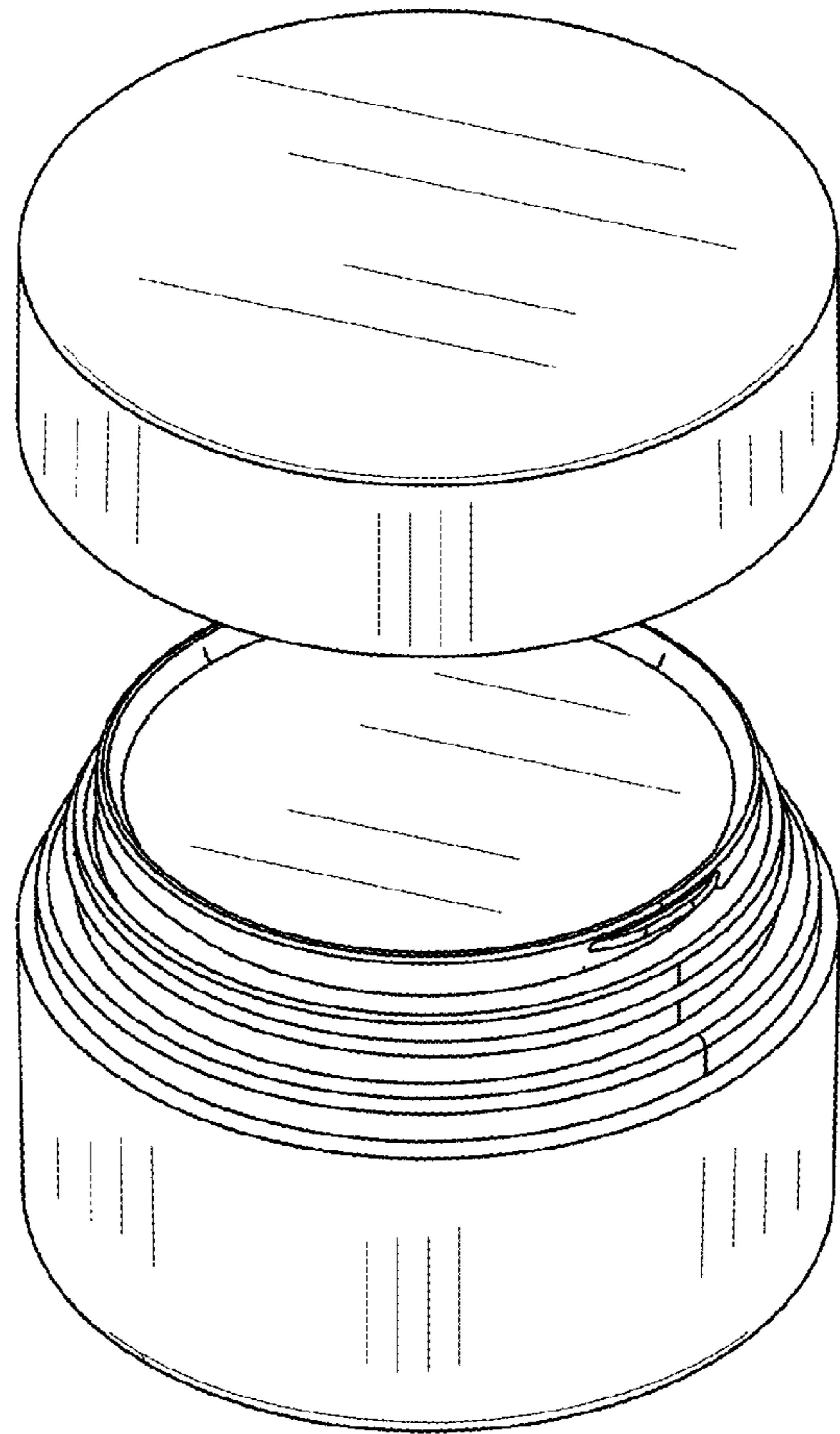


FIG.6

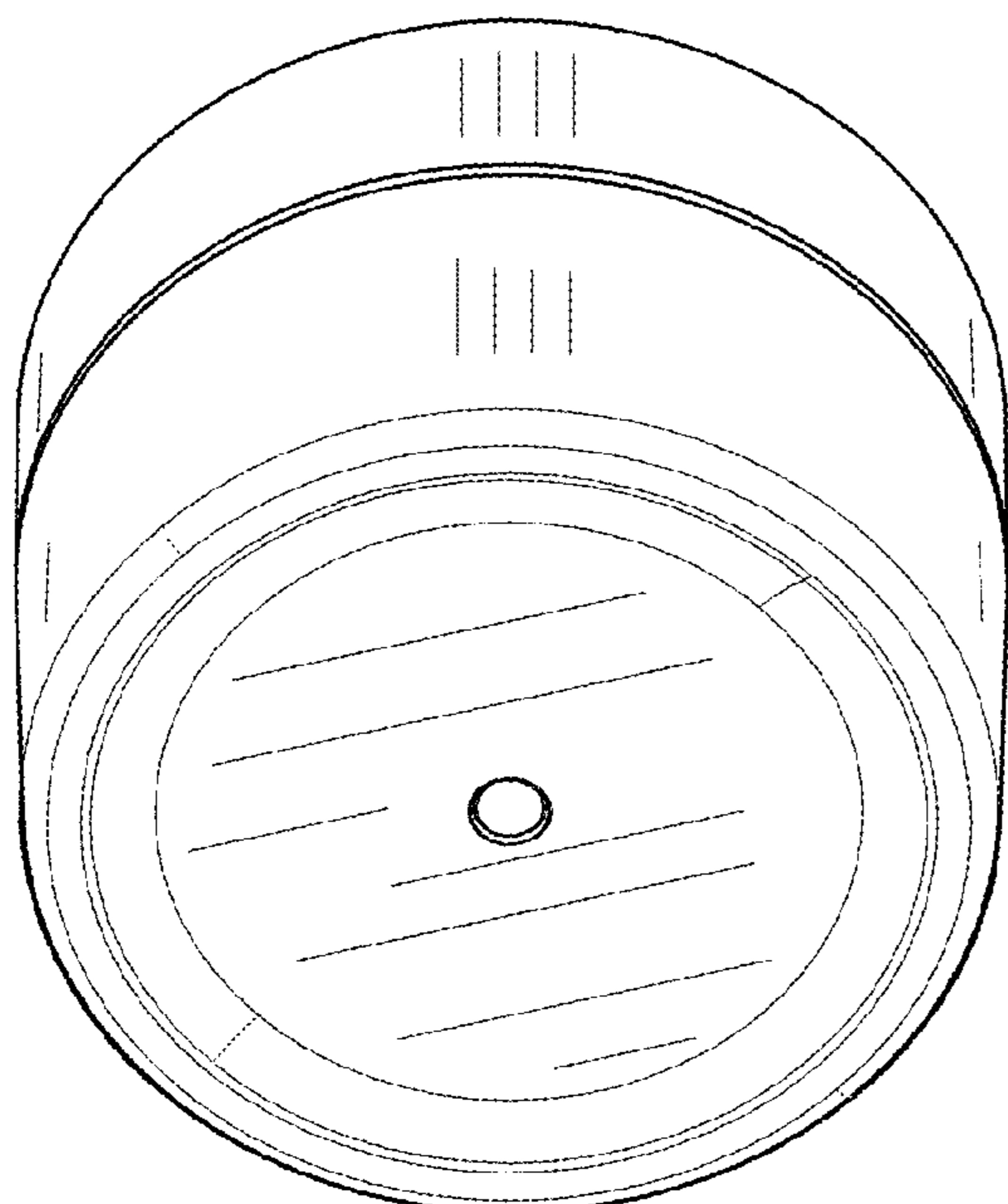


FIG.5

