

US00D962775S

(12) **United States Design Patent** (10) **Patent No.:** **US D962,775 S**
Fujimoto (45) **Date of Patent:** **** Sep. 6, 2022**

(54) **BOTTLE**

(71) Applicant: **SUNTORY HOLDINGS LIMITED,**
Osaka (JP)

(72) Inventor: **Katsuyuki Fujimoto,** Tokyo (JP)

(73) Assignee: **SUNTORY HOLDINGS LIMITED,**
Osaka (JP)

(**) Term: **15 Years**

(21) Appl. No.: **29/756,593**

(22) Filed: **Oct. 29, 2020**

(51) **LOC (13) Cl.** **09-01**

(52) **U.S. Cl.**

USPC **D9/563; D9/560**

(58) **Field of Classification Search**

USPC D9/522, 523, 530, 541-543, 563, 575,
D9/655, 540, 560, 572, 573, 566, 715,
D9/716

CPC . B65D 1/0223; B65D 2501/0081; B65D 1/02
See application file for complete search history.

(56) **References Cited**

U.S. PATENT DOCUMENTS

| | | | |
|--------------|--------|-----------|--------|
| D18,997 S | 4/1889 | Underhill | |
| D21,285 S | 1/1892 | Tatum | |
| D27,320 S | 7/1897 | Murphy | |
| D41,238 S | 3/1911 | Brawner | |
| D92,640 S * | 6/1934 | Ennever | D9/560 |
| 2,029,743 A | 2/1936 | Spender | |
| D104,649 S * | 5/1937 | Black | D9/573 |
| D260,367 S * | 8/1981 | Grip | D9/573 |
| D260,610 S * | 9/1981 | Grip | D9/573 |

(Continued)

FOREIGN PATENT DOCUMENTS

| | | |
|----|----------------|---------|
| CA | 135663 | 1/2011 |
| CN | 200730321260.X | 11/2008 |

(Continued)

OTHER PUBLICATIONS

“D1”, DJ Limbrey Article, D1 Potato Vodka bottle photographs,
<http://d1londonspints.co.uk/d1-potato-vodka/>, 6 pages, Feb. 10, 2016.

(Continued)

Primary Examiner — Brett Miller

Assistant Examiner — Rani J Abdallah

(74) *Attorney, Agent, or Firm* — Greenblum & Bernstein,
P.L.C.

(57) **CLAIM**

I claim the ornamental design for a bottle, as shown and described.

DESCRIPTION

FIG. 1 is a front elevational view of a bottle showing the new design;

FIG. 2 is a rear elevational view thereof;

FIG. 3 is a top plan view thereof;

FIG. 4 is a bottom plan view thereof;

FIG. 5 is a right side elevational view thereof;

FIG. 6 is a left side elevational view thereof;

FIG. 7 is a perspective view of the front, top, and right sides thereof;

FIG. 8 is a cross-sectional view of the bottle taken along section line 8-8 of FIG. 1; and,

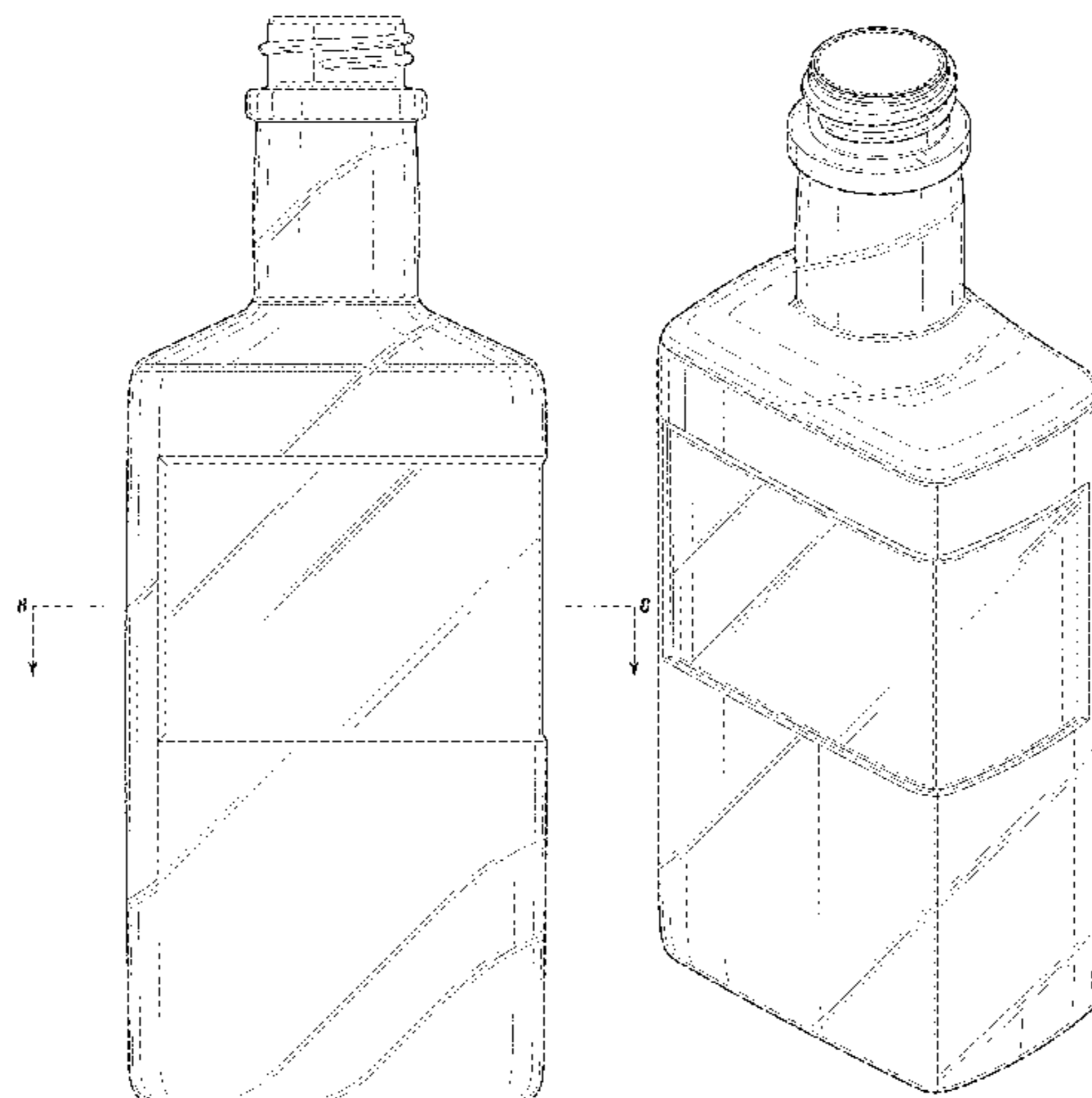
FIG. 9 is a cross-sectional view of the bottle taken along section line 9-9 of FIG. 5.

The bottle of this design is entirely transparent, and the oblique line shading shown in the drawings indicate this transparency.

The thin lines shown in the drawings indicate the three-dimensional surface shape of the bottle.

The broken lines shown in the drawings indicate portions of the bottle that form no part of the claimed design.

1 Claim, 7 Drawing Sheets



(56)

References Cited

U.S. PATENT DOCUMENTS

D276,138 S 10/1984 Sebire
 D280,385 S 9/1985 Dinand
 D285,537 S 9/1986 Parker
 D291,969 S * 9/1987 Kramer D9/573
 D309,714 S 8/1990 Biesecker
 D343,580 S 1/1994 Reynaud
 D346,334 S 4/1994 Ahlsvik
 D381,275 S * 7/1997 Lecoule D9/544
 5,865,349 A 2/1999 Cancilla
 D428,343 S 7/2000 Waitzenegger
 D484,419 S 12/2003 Potocki et al.
 D495,609 S 9/2004 Wurster
 D519,844 S 5/2006 Mansau
 D522,872 S 6/2006 Lascaux
 D539,662 S 4/2007 Sanchez Lascaux
 D540,179 S 4/2007 Adler et al.
 D542,661 S 5/2007 Adler et al.
 D551,082 S 9/2007 Kakhniadze et al.
 D553,000 S 10/2007 Barbagli
 D555,501 S * 11/2007 Del Bon D9/572
 D556,577 S 12/2007 Didier
 D561,039 S 2/2008 Del Bon
 D580,771 S 11/2008 Rica
 D580,773 S 11/2008 Rica
 D581,800 S 12/2008 Rica
 D586,659 S 2/2009 Delbon
 D596,491 S 7/2009 Rica
 D601,428 S 10/2009 Rica
 D612,242 S 3/2010 Rica
 D622,602 S 8/2010 Potts
 D626,842 S 11/2010 Rica
 D630,100 S 1/2011 Wanet
 D637,086 S 5/2011 Nanda
 D646,178 S 10/2011 Barber et al.
 D653,558 S * 2/2012 Kania D9/560
 D691,050 S 10/2013 Brummelhuis et al.
 D693,227 S 11/2013 Rodriguez
 D698,257 S 1/2014 Gonzalez Rodriguez
 D701,768 S 4/2014 Baker
 D714,156 S * 9/2014 Lauret D9/560

D717,658 S 11/2014 Fadelli
 D723,372 S 3/2015 Lecetre et al.
 D727,162 S 4/2015 Gaydon
 D734,160 S 7/2015 Aranda
 D741,716 S 10/2015 Konieczny
 D745,409 S 12/2015 Lecetre et al.
 D777,038 S * 1/2017 Fujimoto D9/563
 D790,351 S * 6/2017 Maillet D9/560
 D811,231 S * 2/2018 Thompson D9/560
 D830,189 S * 10/2018 Fujimoto D9/563
 D830,831 S * 10/2018 Fujimoto D9/563
 D860,802 S * 9/2019 Lee D9/560
 D929,868 S * 9/2021 Kataoka D9/563

FOREIGN PATENT DOCUMENTS

CN 201430391484.8 4/2015
 CN 201530121730.2 8/2015
 CN 305074778 * 3/2019
 CN 305713459 * 4/2020
 CN 305713601 * 4/2020
 CN 305741258 * 4/2020
 CN 305741269 * 4/2020
 HK 1000886.0M002 5/2010

OTHER PUBLICATIONS

“D1”, DJ Limbrey Article, D1 London Gin bottle photographs, <http://d1londonspirits.co.uk/d1-london-gin/>, 8 pages, Feb. 10, 2016.
 M. Kiely, “Top 10 Spirits Marketing Campaigns in Jan. 2016”, D1 Potato Vodka bottle photographs, <http://www.thespiritsbusiness.com/2016/02/top-10-spirits-marketing-campaigns-in-january.2016/9/> 2 pages, Feb. 10, 2016.
 Green Hat Distilled Gin bottle photograph, purchased Feb. 2016.
 Tullamore Dew Irish Whiskey bottle photograph, purchased Feb. 2016.
 Zachlawi Sweet Potato Vodka bottle photographs, 2 pages, purchased 2/2106.

* cited by examiner

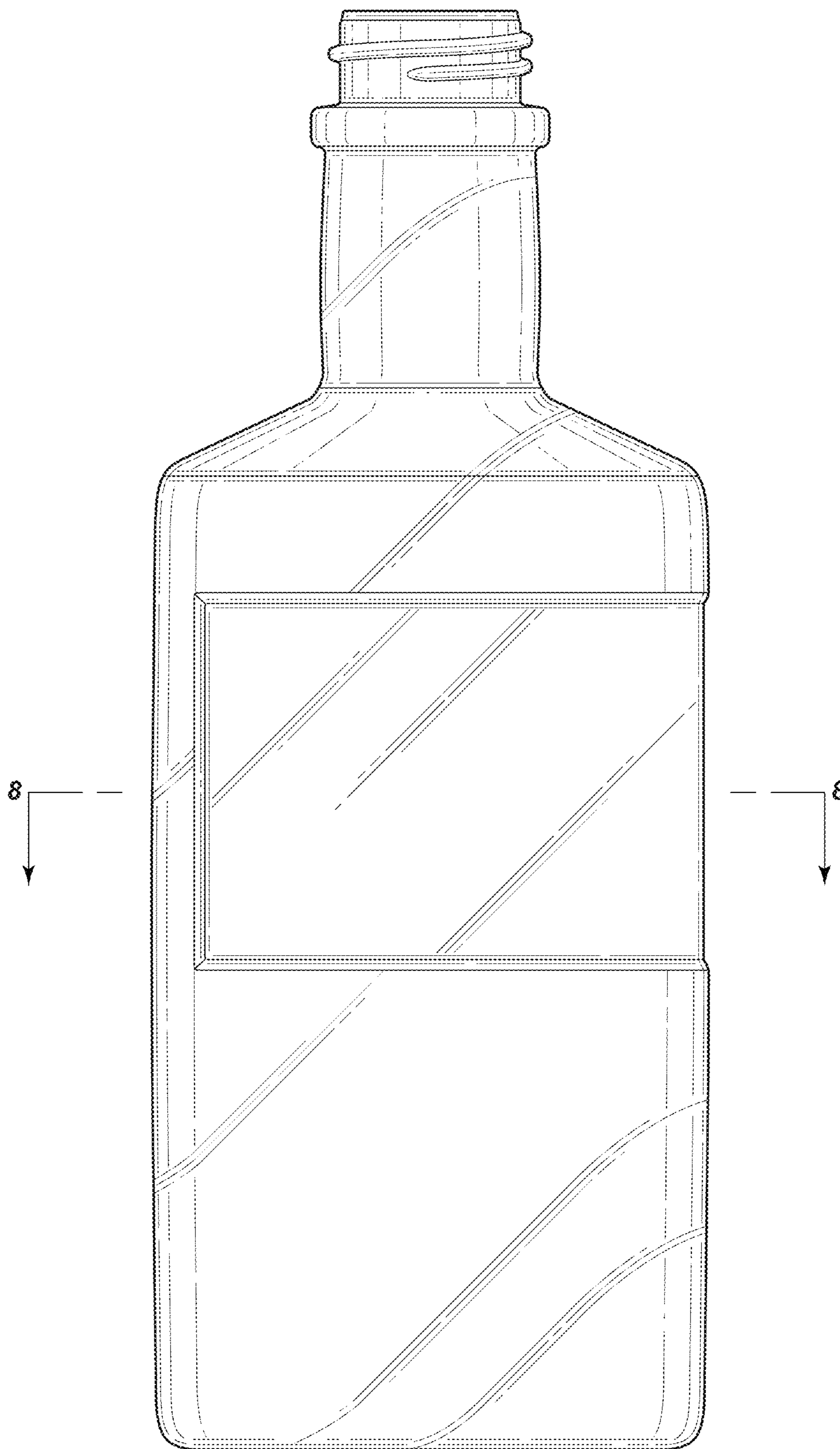


FIG. 1

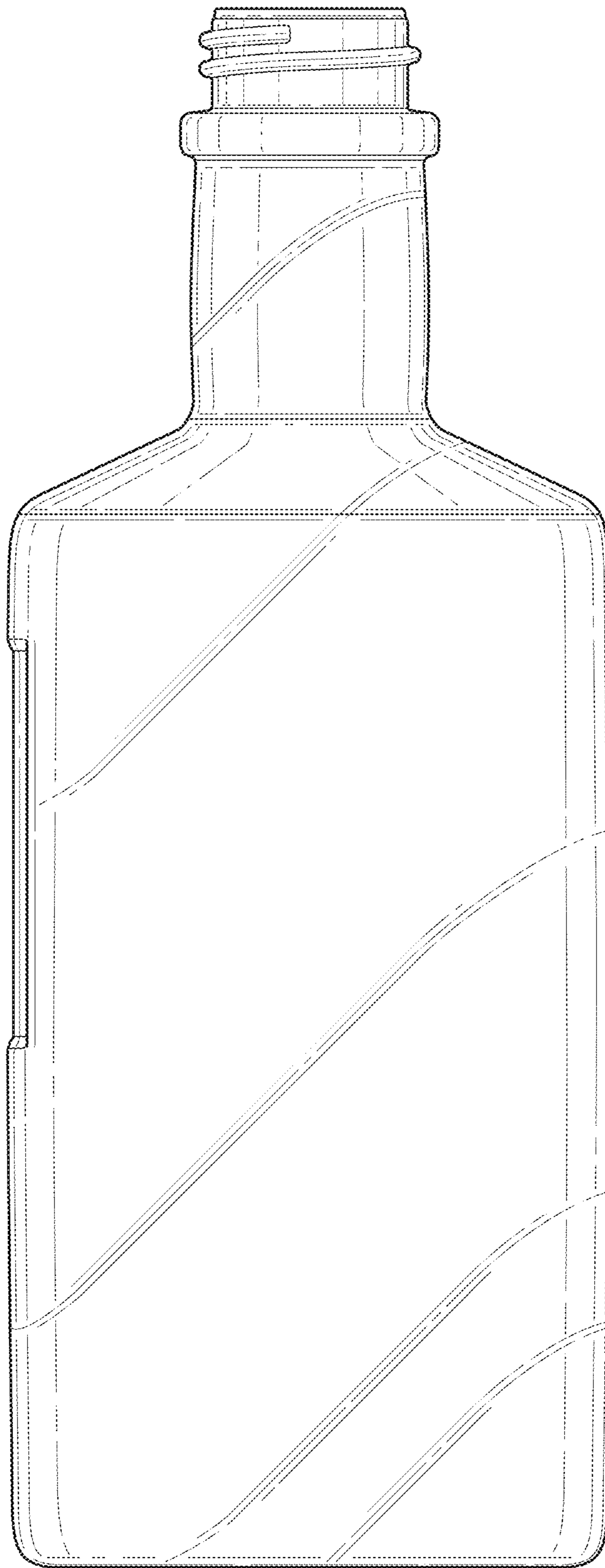


FIG. 2

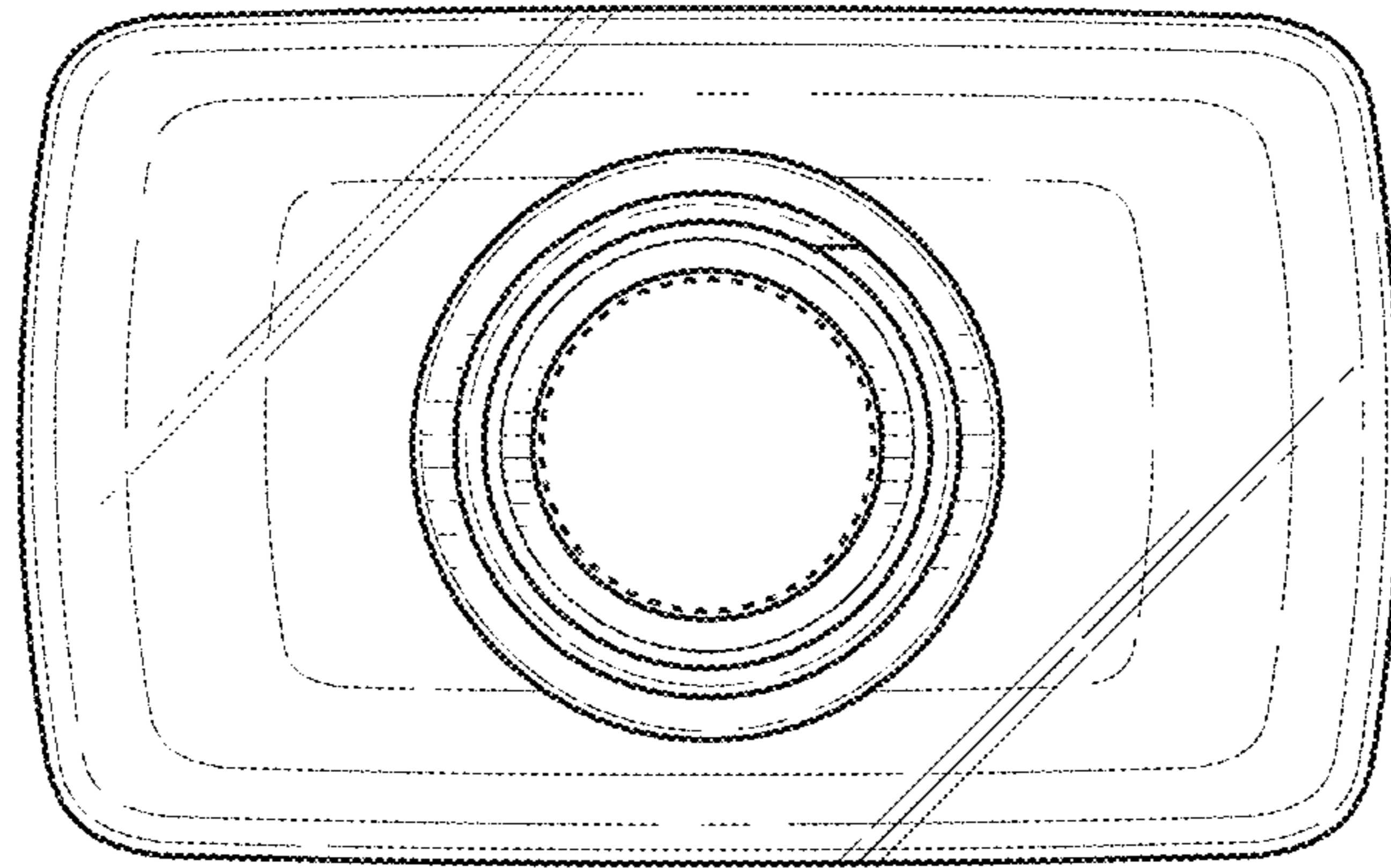


FIG. 3

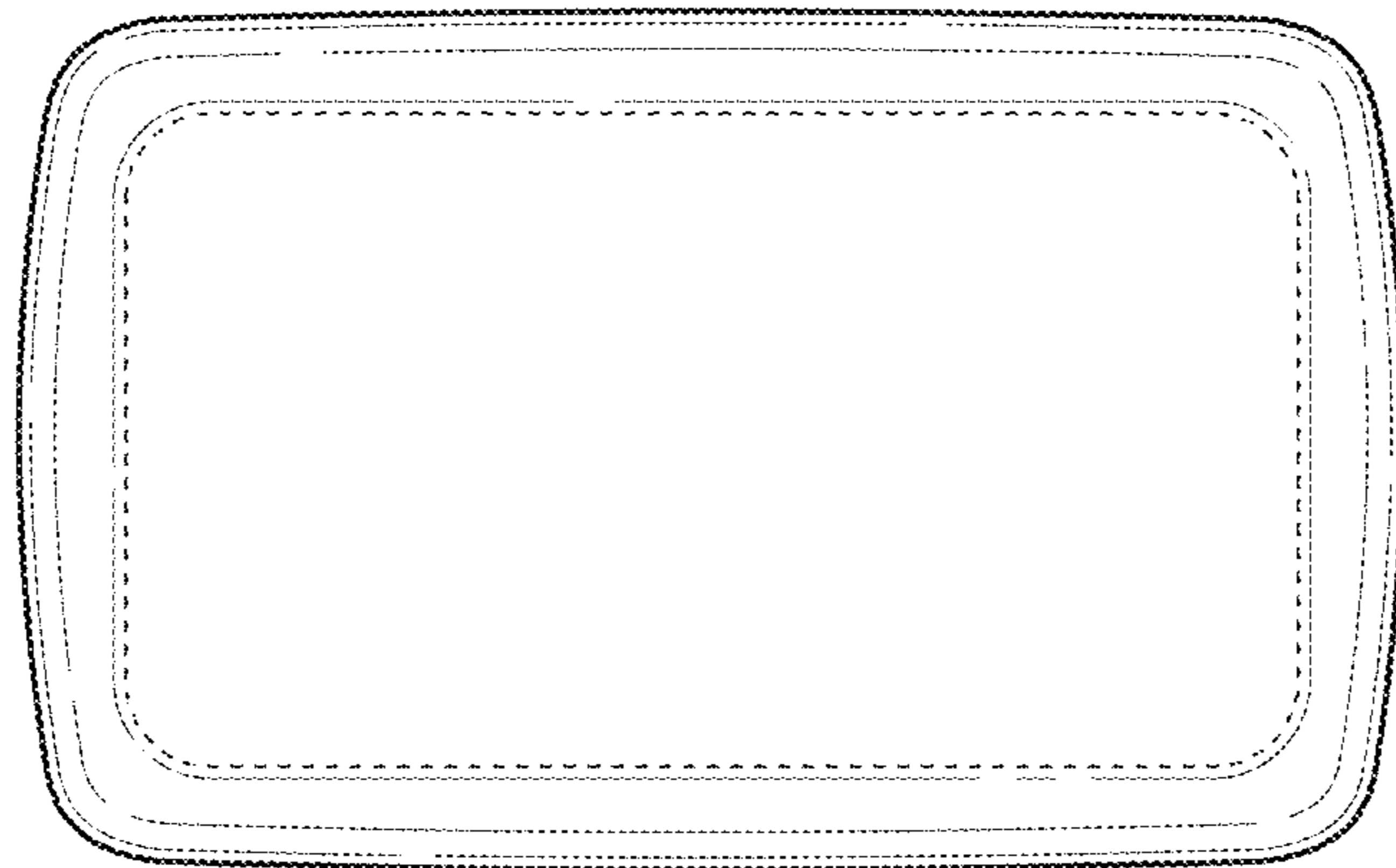


FIG. 4

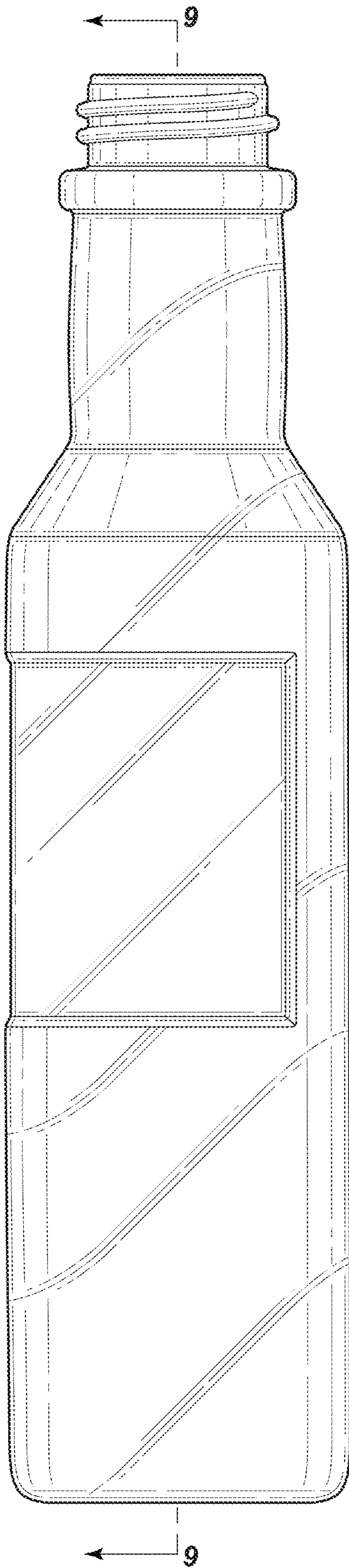


FIG. 5

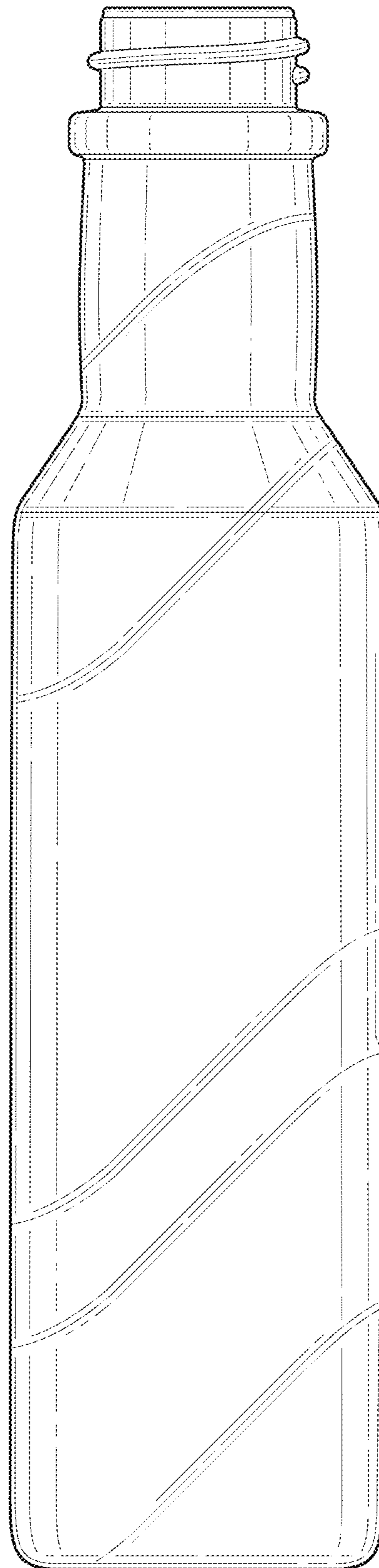


FIG. 6

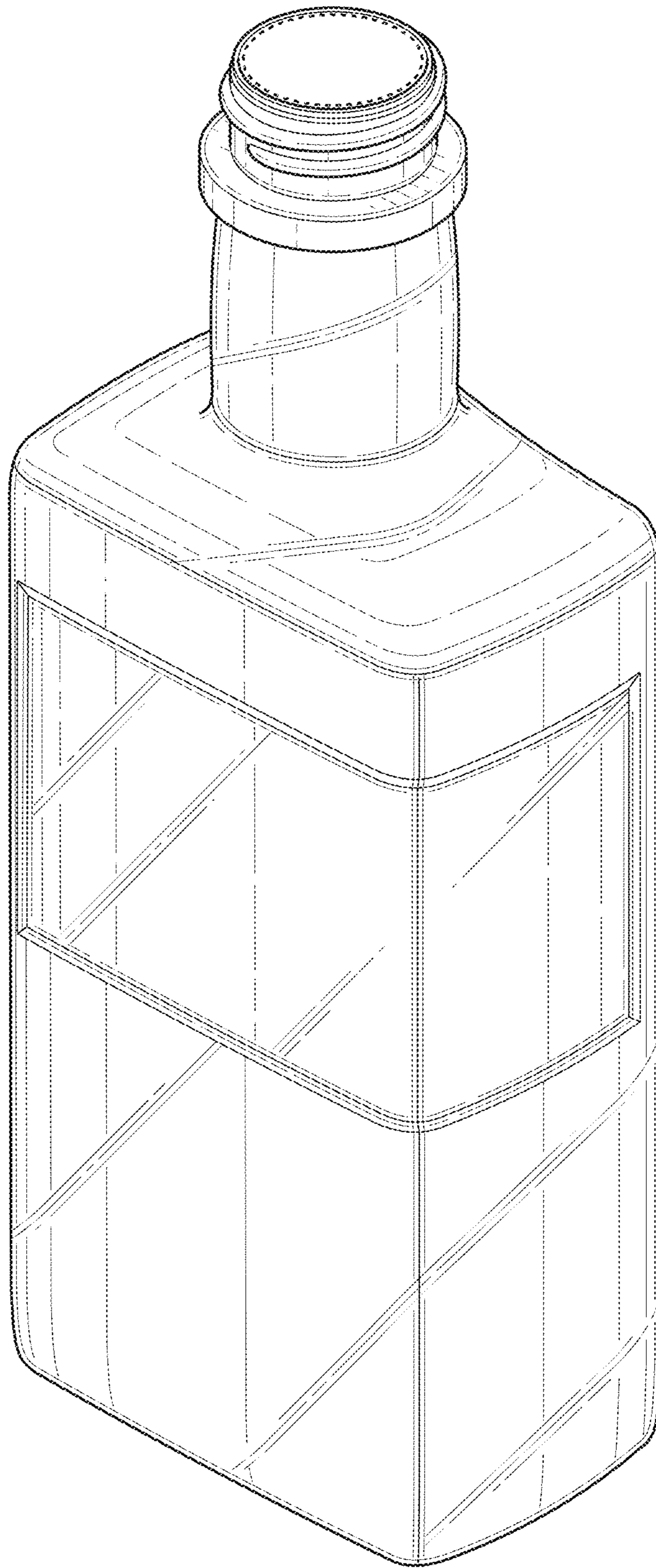


FIG. 7

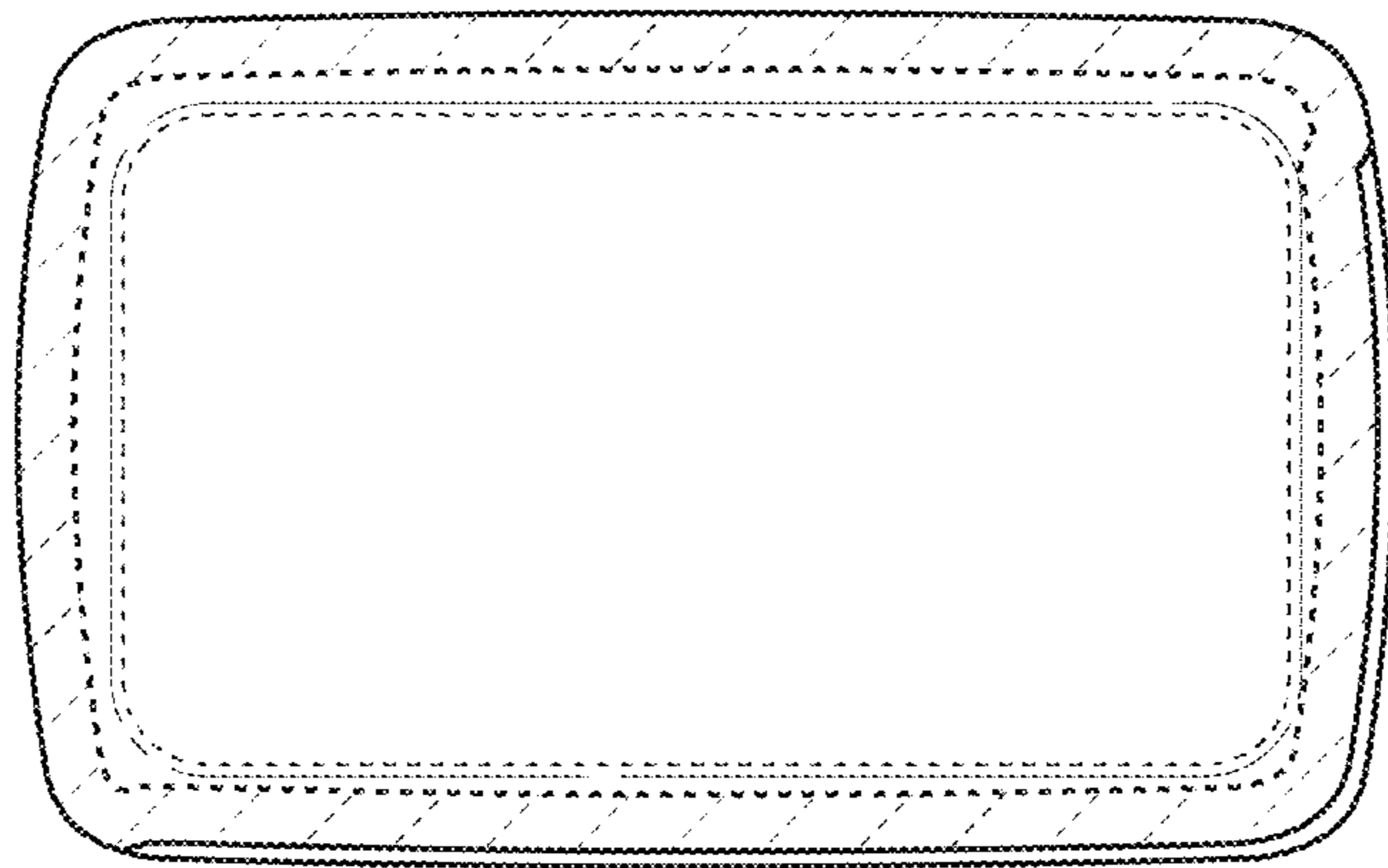


FIG. 8

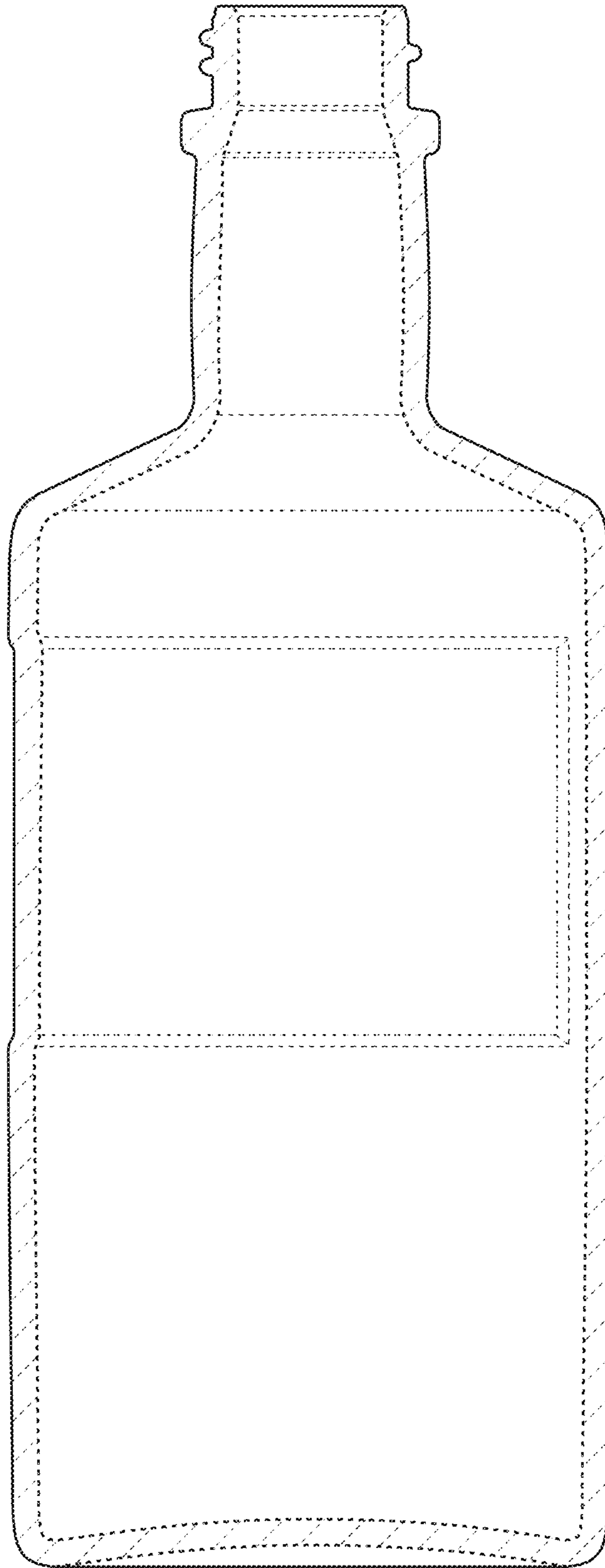


FIG. 9