



US00D962774S

(12) **United States Design Patent** (10) **Patent No.:** **US D962,774 S**
Gribov et al. (45) **Date of Patent:** **** Sep. 6, 2022**

(54) **BOTTLE**
(71) Applicant: **Nemiroff Intellectual Property Establishment, Vaduz (LI)**
(72) Inventors: **Iakiv Gribov, Kyiv (UA); Anatoliy Kipish, Khmelnytskyi (UA)**
(73) Assignee: **NEMIROFF INTELLECTUAL PROPERTY ESTABLISHMENT, Vaduz (LI)**
(**) Term: **15 Years**
(21) Appl. No.: **29/760,697**
(22) Filed: **Dec. 3, 2020**
(30) **Foreign Application Priority Data**

Sep. 15, 2020 (WO) WIPO97789

(51) **LOC (13) Cl.** **09-01**
(52) **U.S. Cl.**
USPC **D9/560**

(58) **Field of Classification Search**
USPC D9/434-435, 439, 447, 449, 450, 452, D9/454, 516, 520, 522-524, 528-531, D9/541-544, 549-551, 558-560, 563, D9/565-566, 571-575, 682, 686, 687, D9/693-694, 715, 719; D7/300, 300.1, D7/316, 317, 598; D23/211, 225; D24/107, 121-123, 216, 217, 219, D24/223-227
CPC ... B65D 1/00; B65D 1/02; B65D 1/12; B65D 1/18; B65D 1/20; B65D 1/0223; B65D 23/00; B65D 21/0237; B65D 2501/0009; B65D 2501/0081
See application file for complete search history.

(56) **References Cited**

U.S. PATENT DOCUMENTS

D653,558 S * 2/2012 Kania D9/652
D698,256 S * 1/2014 Thompson D9/546
D736,088 S * 8/2015 Siu D9/523
D741,720 S * 10/2015 Anandani D9/560

(Continued)

FOREIGN PATENT DOCUMENTS

CA 124480 S 10/2008
CA 124690 S 3/2009

(Continued)

OTHER PUBLICATIONS

The New Design of Nemiroff Vodka Bottles Presented. Online, published date Oct. 29, 2020. Retrieved on May 27, 2022 from URL: <https://spirits-navigator.com/en/news/the-new-design-of-nemiroff-vodka-bottles-presented/>.*

Primary Examiner — Omeed Agilee

(74) *Attorney, Agent, or Firm* — Abelman, Frayne & Schwab

(57) **CLAIM**

The ornamental design for a bottle, as shown and described.

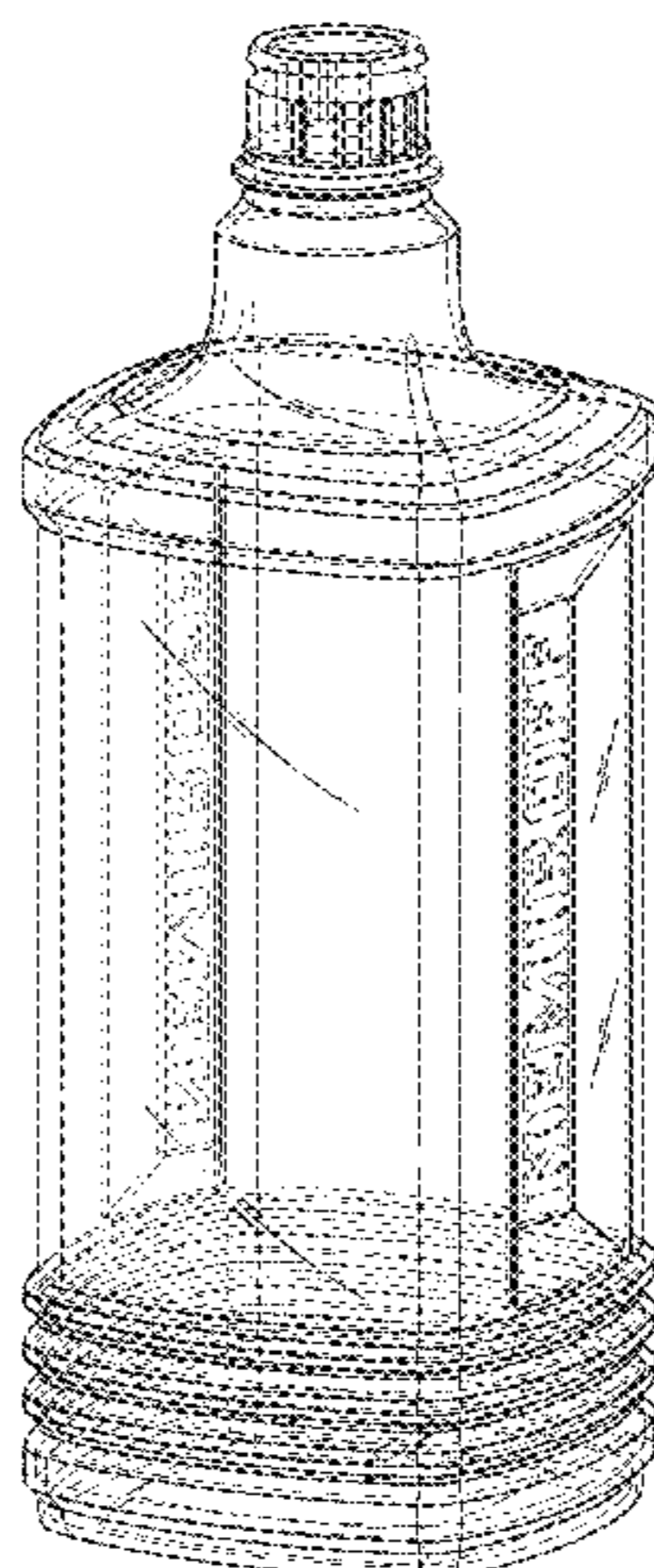
DESCRIPTION

FIG. 1 is a front, left and top perspective view of a bottle showing the new design;
FIG. 2 is a rear, right, and top perspective view thereof;
FIG. 3 is a front elevation view thereof;
FIG. 4 is a rear elevation view thereof;
FIG. 5 is a left elevation view thereof;
FIG. 6 is a right elevation view thereof;
FIG. 7 is a top plan view thereof; and,
FIG. 8 is a bottom plan view thereof.

The broken lines depict portions of the bottle that form no part of the claimed design.

The word mark NEMIROFF is a registered trademark of Nemiroff Intellectual Property Establishment, which is the Applicant and Assignee of this application.

1 Claim, 8 Drawing Sheets



(56)

References Cited

U.S. PATENT DOCUMENTS

D777,038	S	*	1/2017	Fujimoto	D9/563
D811,231	S	*	2/2018	Thompson	D9/560
D814,305	S	*	4/2018	De Cecco	D9/542
D848,853	S	*	5/2019	Simon	D9/563
D849,546	S	*	5/2019	Grossman	D9/523
D860,802	S	*	9/2019	Lee	D9/560
D863,972	S	*	10/2019	Staab	D9/560
D865,297	S	*	10/2019	De Martino	D9/560
D915,214	S	*	4/2021	Kipish	D9/560
D920,797	S	*	6/2021	Thompson	D9/544
D922,203	S	*	6/2021	De Silva Wijeyeratne ...	D9/520
D928,624	S	*	8/2021	Lim	D9/563
D929,868	S	*	9/2021	Kataoka	D9/563
D937,093	S	*	11/2021	Del Bon	D9/560

FOREIGN PATENT DOCUMENTS

WO	072299	S	11/2009
WO	072987	S	12/2009
WO	075742	S	3/2011
WO	202339	S	4/2019

* cited by examiner

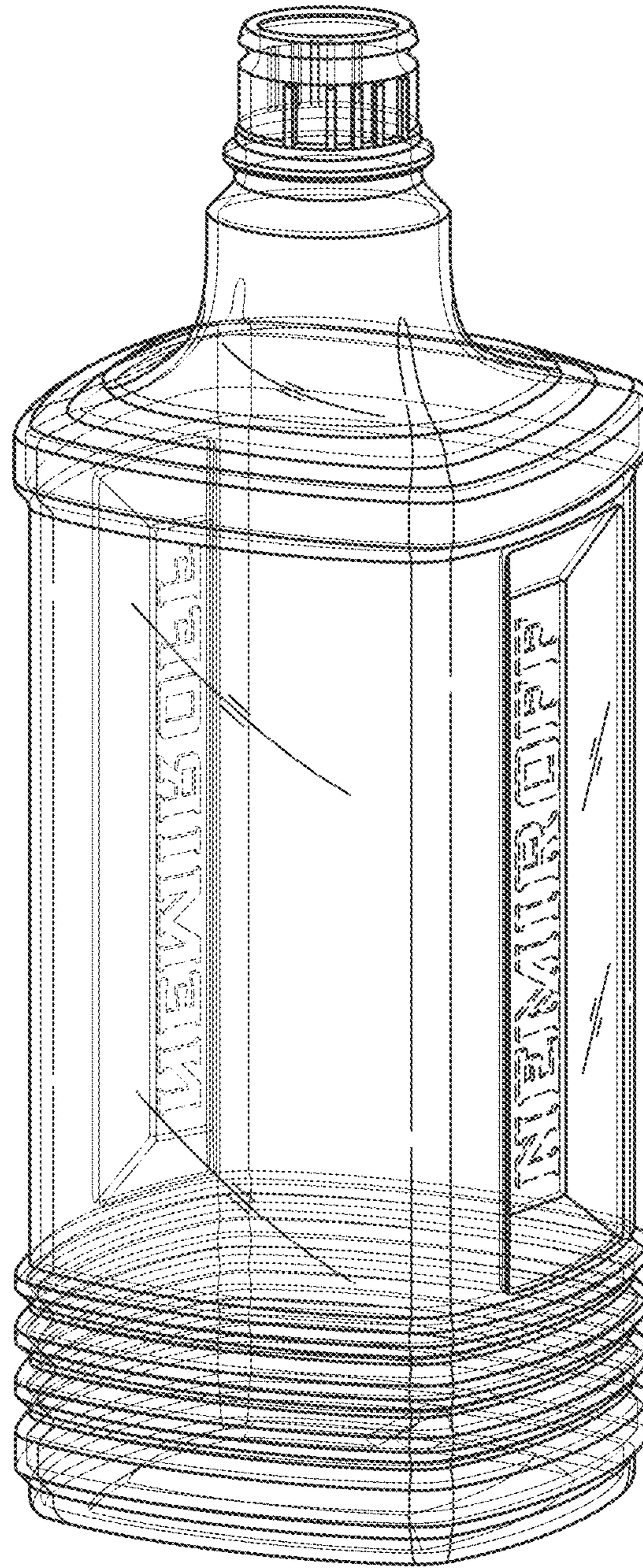


FIG. 1

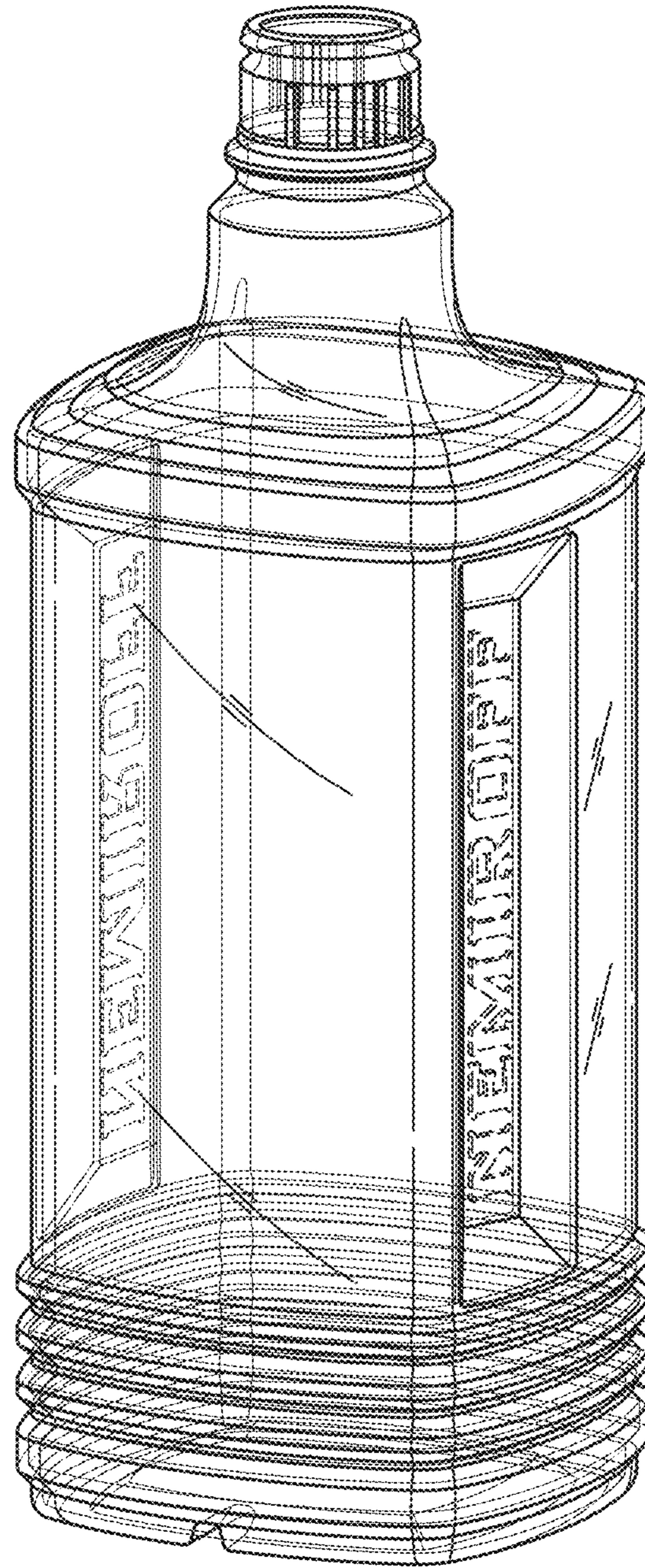


FIG. 2

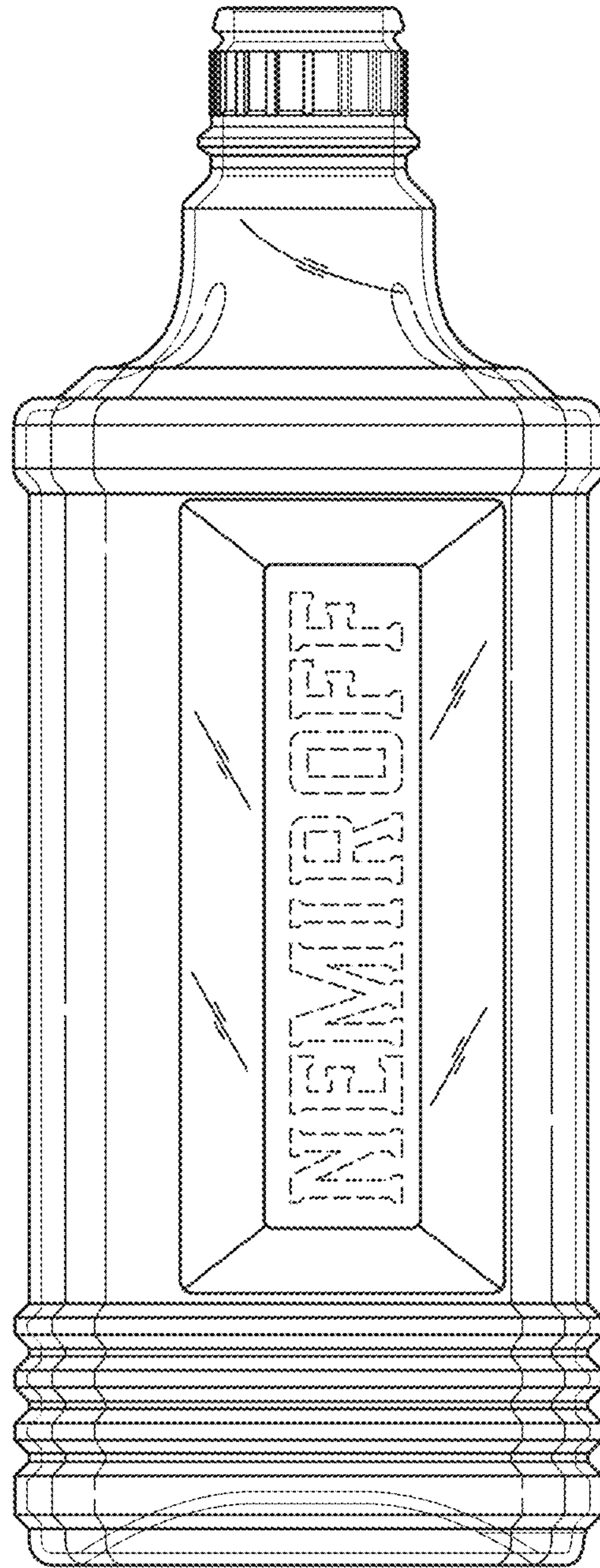


FIG. 3

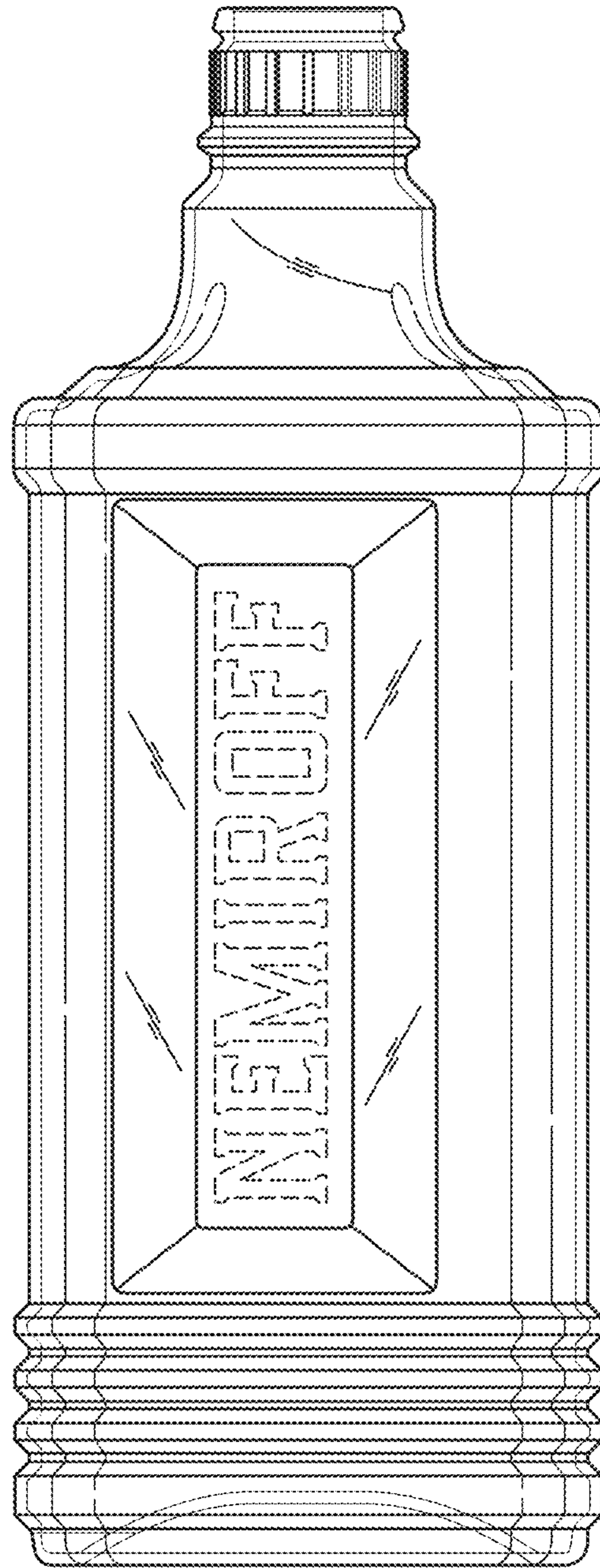


FIG. 4

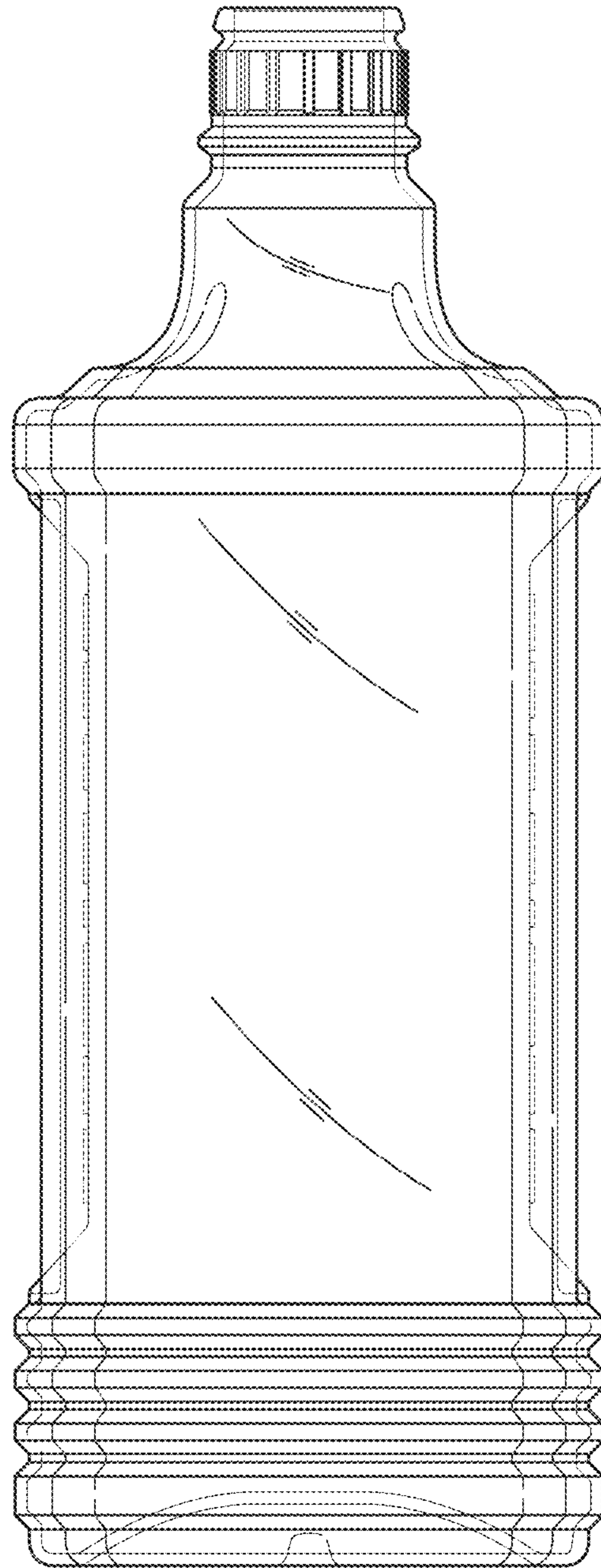


FIG. 5

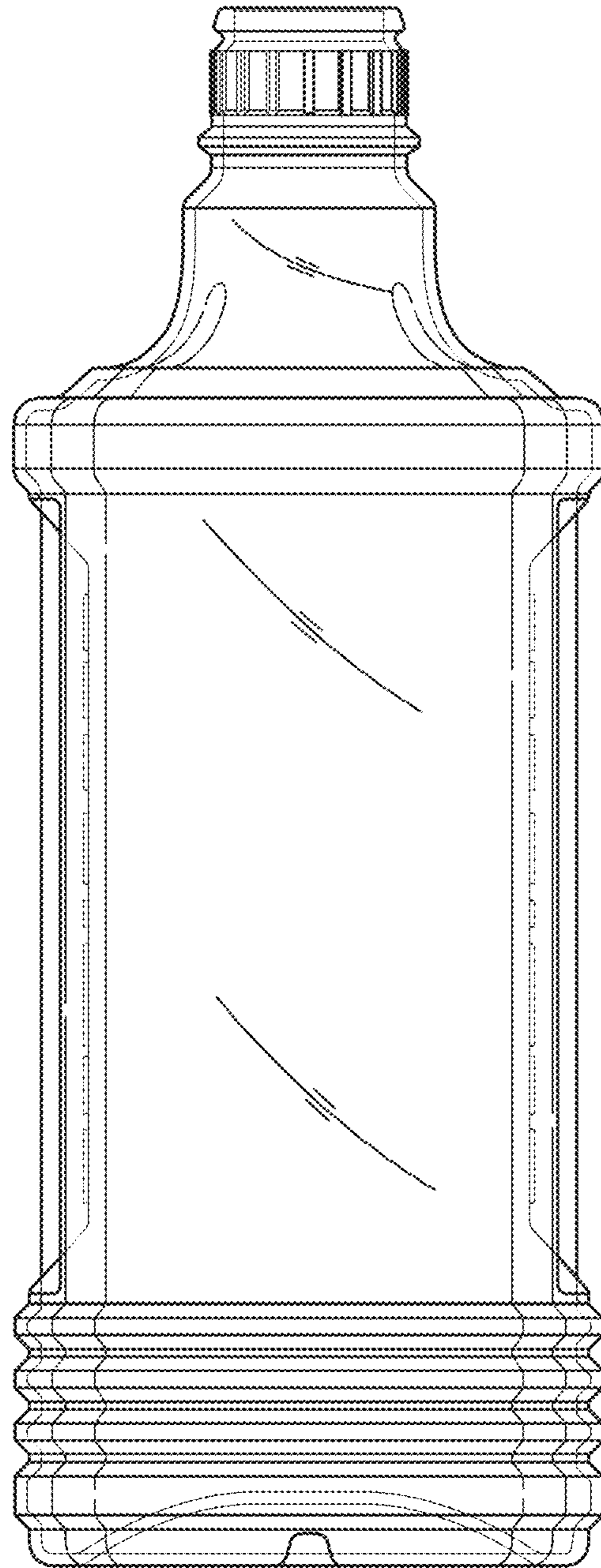


FIG. 6

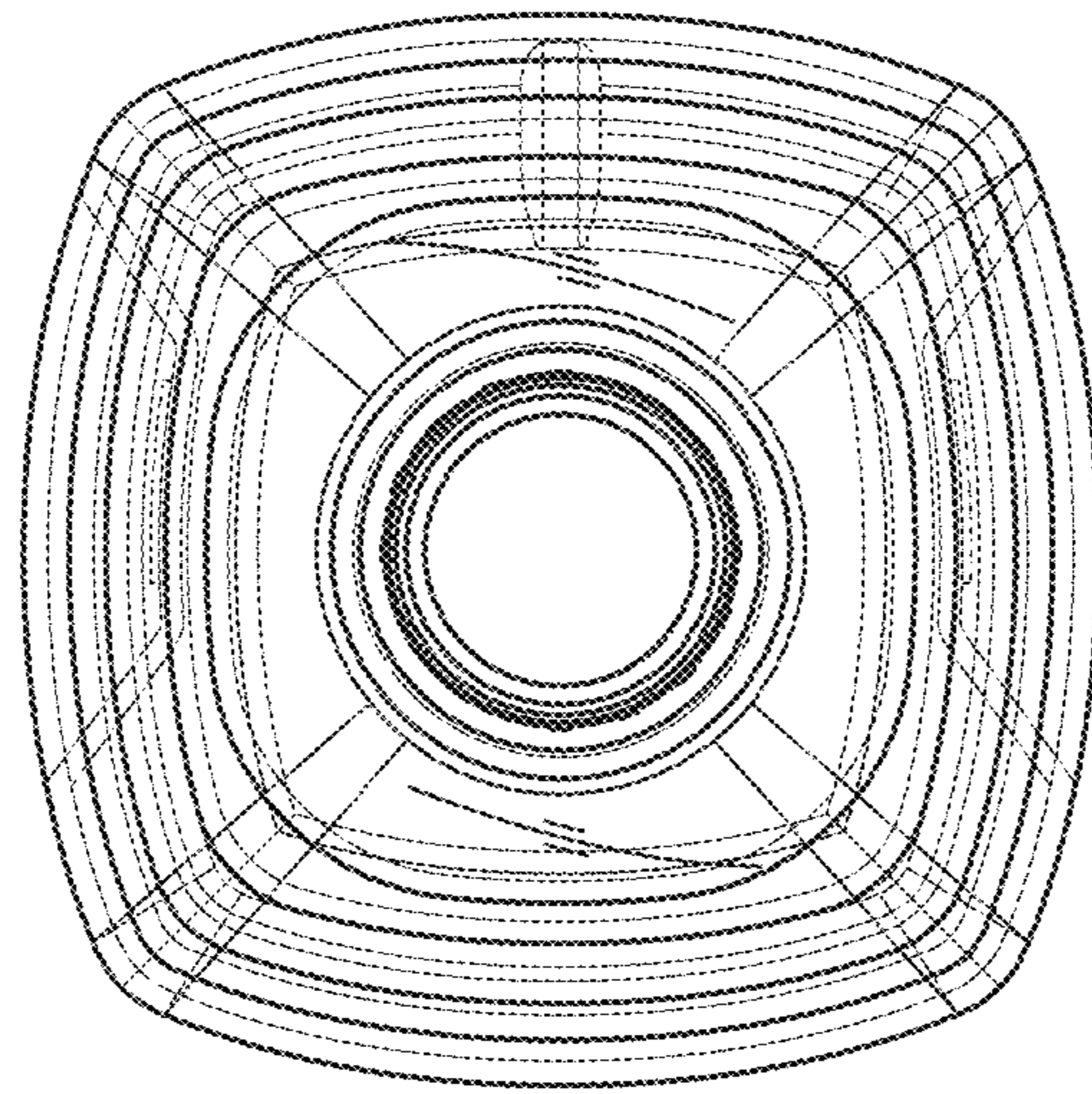


FIG. 7

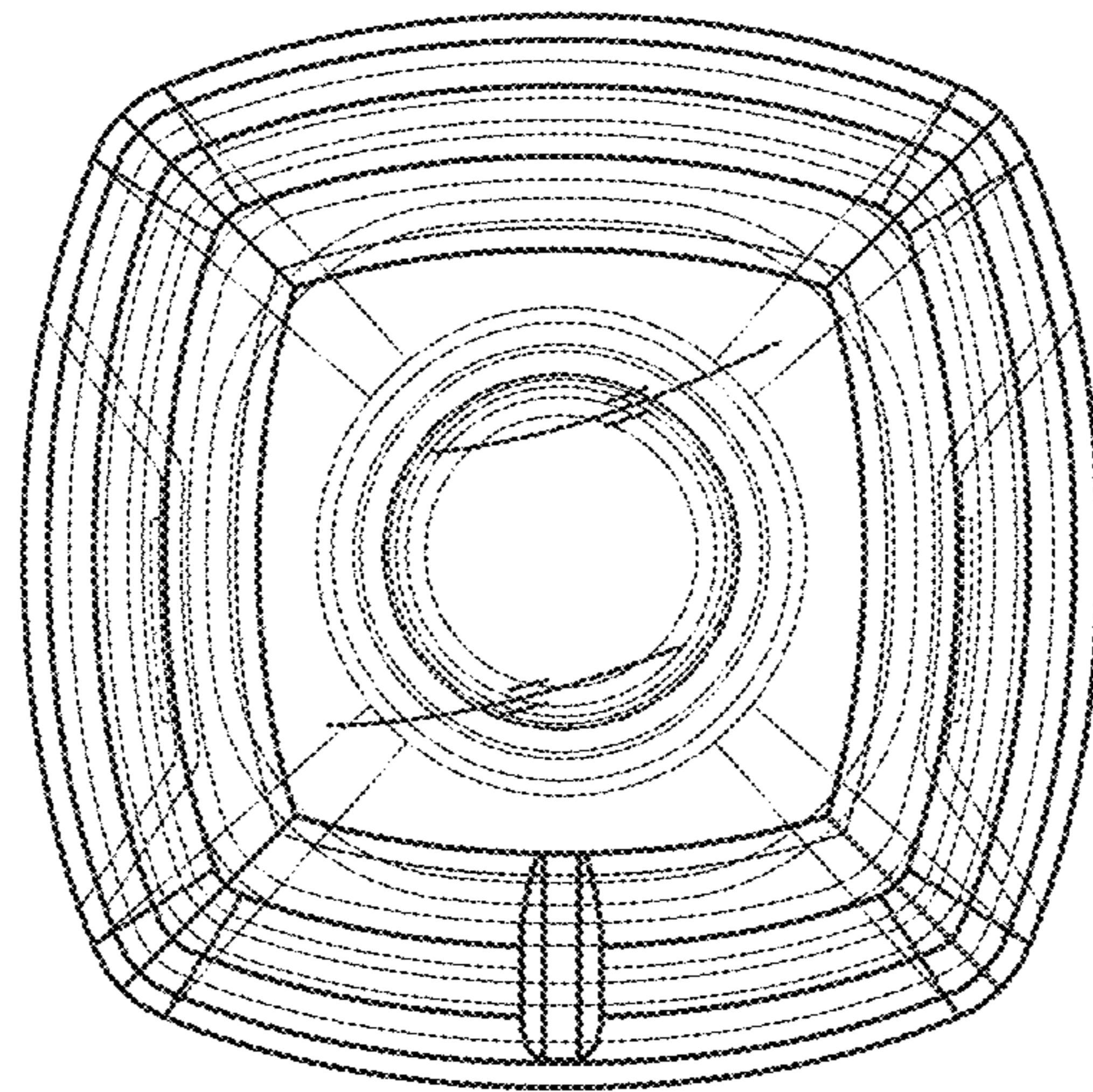


FIG. 8